

INSTALLING FAN/BLOWER ACCESSORY

MODEL PF06-YJLF-B

DISCONNECTING WALL MOUNTED HEATER

Wall mounted heater must be disconnected from gas supply and removed from wall before installing fan accessory. Contact a qualified service person to do this. Follow all codes.

REMOVING PANEL FROM BACK OF HEATER

Remove panel with a Phillips head screwdriver (see Figure 1).

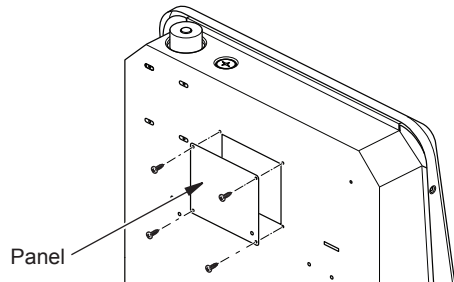


Figure 1

ATTACHING FAN/BLOWER ASSEMBLY

Attach fan/blower to the rear panel of the heater using the four screws provided (see Figure 2).

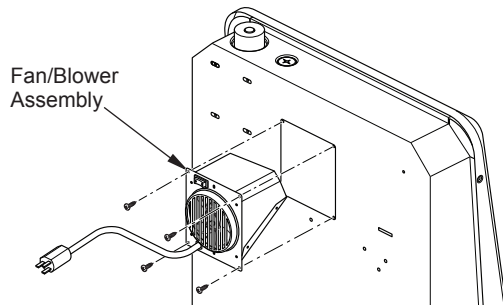


Figure 2

FAN OPERATION

To operate in Manual mode, turn on/off switch to the ON position. To operate in Automatic mode turn AUTO/O/MAN to the desired position, Man position will remain constantly on. Auto position will be controlled by the sensor on fan blower unit. To stop the operation, turn unit switch to the O position (see Figure 3).

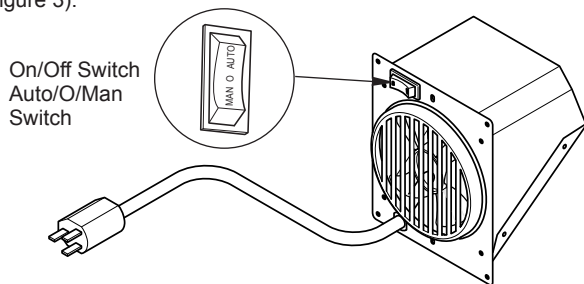


Figure 3

ELECTRICAL CONNECTION

⚠ Do not use this fan/blower if any part of it has been under water. Immediately call a qualified service technician to inspect the fan/blower and replace any part of the electrical system which has been under water.

This fan/blower accessory must be grounded. This unit comes with a 3-prong grounding plug for your protection against electrical shock. Use standard, 3 holes, grounded outlet. If an extension cord is needed it must have a 3 prong plug and a 3 hole receptacle. An undersized cord will cause a drop in live voltage and could result in loss of power and overheating.

GROUNDING INSTRUCTIONS

This fan/blower is for use on 120 volts. The cord has a plug as shown at A in Figure 4. An adapter as shown at C is available for connecting three-blade grounding-type plugs to two-slot receptacles. The green grounding lug extending from the adapter must be connected to a permanent ground such as a properly grounded outlet box. The adapter should not be used if a three-slot grounded receptacle is available.

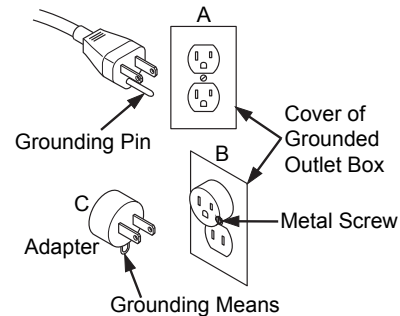


Figure 4

FAN OPERATION

To operate the manual unit, turn ON/OFF switch to the ON position. To operate the Automatic unit, turn AUTO/O/MAN switch to the desired position. MAN position will remain constantly on. AUTO position will be controlled by the sensor on the fan blower unit. The sensor will be activated when the temperature of the sensor head reaches the set point of the switch after the heater is started. To stop the operation, turn the switch to the O position.

ELECTRICAL WIRING

Any electrical re-wiring of this appliance must be done by a qualified electrician. This wiring must be done in accordance with local codes and/or in Canada with the current *CSA C22.1 Canadian Electrical Code*, and for US installations, the *National Electrical Code ANSI/NFPA NO 70*.

⚠ WARNING: If repairing or replacing any electrical component or wiring, the original wire routing, color coding and securing locations must be followed.

⚠ CAUTION: Label all wires prior to disconnection when servicing controls. Wiring errors can cause improper and dangerous operation.

⚠ WARNING: Never attempt to service fan/blower while it is plugged in, operating, or hot. Burns and electrical shock could result. Only a qualified service person should service or repair fan/blower.

Verify proper operation after servicing. If any of the original wire as supplied with the appliance must be replaced, it must be replaced with a wire of at least a 105° C temperature rating.

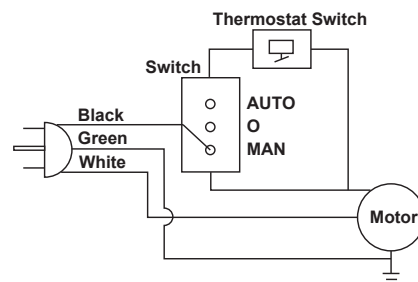


Figure 5



ProCom Heating, Inc.
Bowling Green, KY 42101
www.usaprocom.com
1-866-573-0674

200285-03
Rev. A
2/16