

# **Powr-Flite**<sup>®</sup>

**COMMERCIAL FLOOR CARE EQUIPMENT**

## **WET/DRY VACUUM**

### **Models PF51, PF53, PF55, PF57**

#### **OPERATING INSTRUCTIONS**

COMMERCIAL  
WET/DRY VACUUM

Equipment must be operated,  
serviced and maintained in  
accordance with the  
manufacturer's instructions.



**Save These Instructions**

# SAVE THESE INSTRUCTIONS FOR FUTURE REFERENCE

\*When using a wet/dry vacuum, basic precautions should be followed.

\*Read all instructions before using your vacuum.

## IMPORTANT SAFETY ADVICE

### READ ALL INSTRUCTIONS BEFORE USING THIS APPLIANCE

When using an electrical appliance, basic precautions should always be followed.

### ⚠ WARNING

**To reduce the risk of fire, electric shock of injury; only use dryer as described in this manual.**

You must have training in the operation of this machine before using it. Read all instructions carefully before use.

- Keep children and unauthorized persons away from the machine when in use.
- Do not leave the machine plugged in when not in use.
- Switch the machine off before removing the plug from the outlet.
- When unplugging, pull the plug, not the cord.
- The machine must be unplugged prior to cleaning or servicing the machine .
- Keep the power cord clear of moving parts.
- Do not run the machine over the power cord.
- Do not operate the machine with a damaged power cord or plug, or if the machine malfunctions or is damaged in any way.
- Do not use where hazardous dust is present.
- Do not use in an explosive atmosphere.
- Do not use where flammable liquids or gasses are present.
- Do not use or pick up flammable chemicals or liquids with this machine.
- Take care when using the machine near the top of stairs to avoid overbalancing.
- Maintenance and repair must be done by authorized personnel only.
- Wear suitable footwear to avoid slipping.
- Do not operate this machine in bare feet or with open-toed shoes or sandals.
- Do not smoke when using the machine.
- Do not pick up anything that is burning or smoking, such as cigarettes, matches, or hot ashes.
- Do not use without dust bag and/or filters in place.
- Do not pull or carry by cord, use cord as a handle, close door on cord, or pull cord around sharp edges or corners. Keep cord away from heated surfaces. Store cord properly when not in use.

## STORAGE INSTRUCTIONS

Store appliance on floor, indoors, away from heated surfaces. Do not pull or carry by cord, use cord as a handle, close door on cord, or pull cord around sharp edges or corners. Keep cord away from heated surfaces. Store cord properly when not in use.

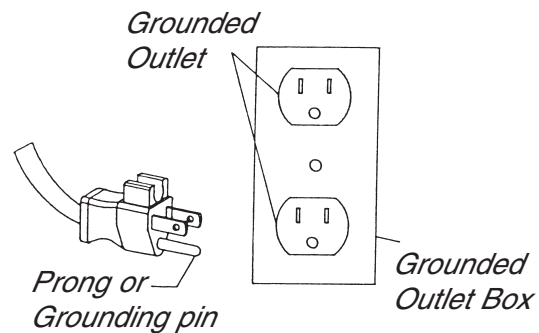
## GROUNDING INSTRUCTIONS

This appliance must be grounded. If it should malfunction or break down, grounding provides a path of least resistance for electric current to reduce the risk of electric shock. This appliance is equipped with a cord having an equipment-grounding conductor and grounding plug. The plug must be plugged into an appropriate outlet that is properly installed and grounded in accordance with all local codes and ordinances.

This appliance is for use on a nominal 120 volt circuit and has a ground plug (see illustration, right). Make sure that the appliance is connected to an outlet having the same configuration as the plug. No adaptor should be used with this appliance.

### ⚠ WARNING

Improper connection of the equipment-grounding conductor can result in a risk of electric shock. Check with a qualified electrician or service person if you are in doubt as to whether the outlet is properly grounded. Do not modify the plug provided with the appliance – if it will not fit the outlet, have a proper outlet installed by a qualified electrician.



## DRY OPERATION OF VACUUM

The wet/dry vacuums are equipped with bypass motors. Install the cloth filter, place the motor head on the canister and snap down the hold-down clamps.

## WET OPERATION OF VACUUM

The wet/dry vacuums are equipped with a bypass motor so that the working vacuum is separated from the cooling air flow. To pick up water, the dry filter must be removed and the float cage assembly must be in place, the motor head placed on the canister and the hold down clamps locked down. The safety float located in the protective wire frame in the tank stops the vacuum action of the motor head when the maximum recovery of liquids is reached.

## WAND AND ATTACHMENT INSTRUCTIONS

### To assemble the two piece wand:

1. Match the alignment ridges of the upper and lower wand sections.
2. Push the upper wand into the lower wand.

### To assemble tools:

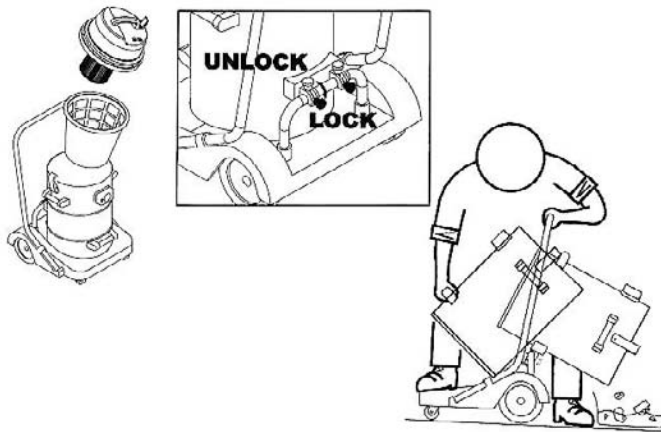
1. Slide the swivel cuff of the tool onto the tapered lower wand.
2. Turn swivel cuff 1/4 turn to tighten.

## DRAINING

When the tank is full, using the overturning mechanism to empty the tank.

1. Remove the top head.
2. Take out the filter with frame.
3. Unlock the knob.
4. Grip the handle with one hand, use one foot to brace the dolly and lift the handle by the other hand to empty the tank.

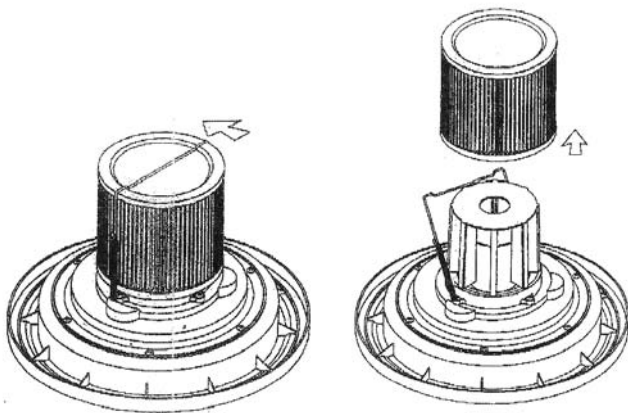
**NOTE:** When the water level in the tank exceeds the safety level, the safety device will automatically block the inlet and motor turning sound will be changed, but power will remain ON. The power must be turned OFF before emptying the tank.



## REMOVE THE PAPER FILTER

The paper filter must be removed for wet recovery.

Push the metal ping counterclockwise to release the filter. Remove the paper filter.



## HOSE ATTACHMENT INSTRUCTIONS

The hose and swivel connector are pre-assembled at the factory. To attach the swivel connector to the intake fitting of the canister:

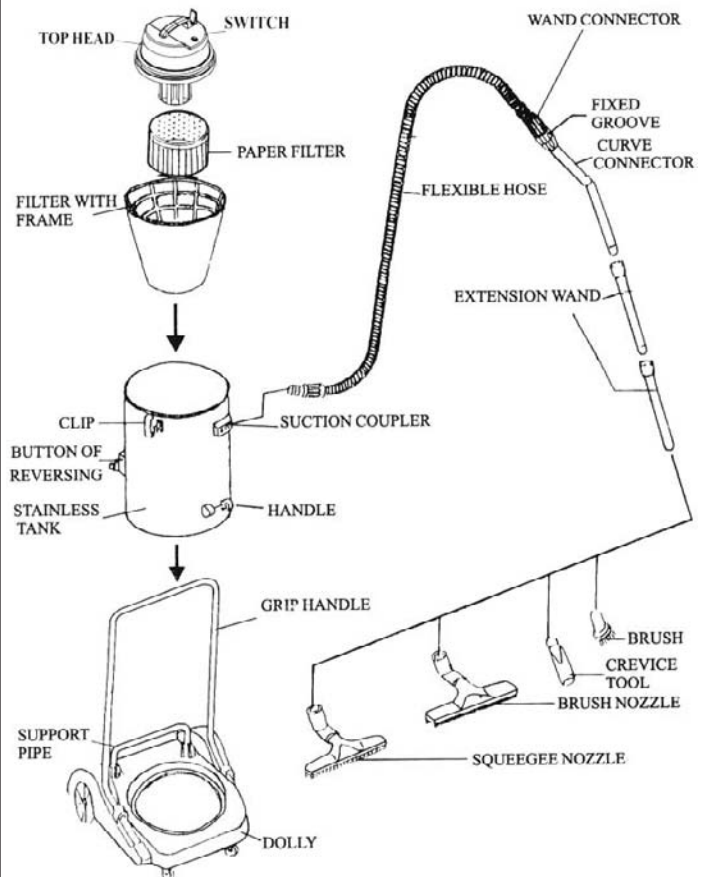
1. Push the grooved cuff straight into the intake fitting.
2. To remove, press the release button on top of the intake fitting while pulling the grooved cuff out.

## MAINTENANCE AND SERVICING

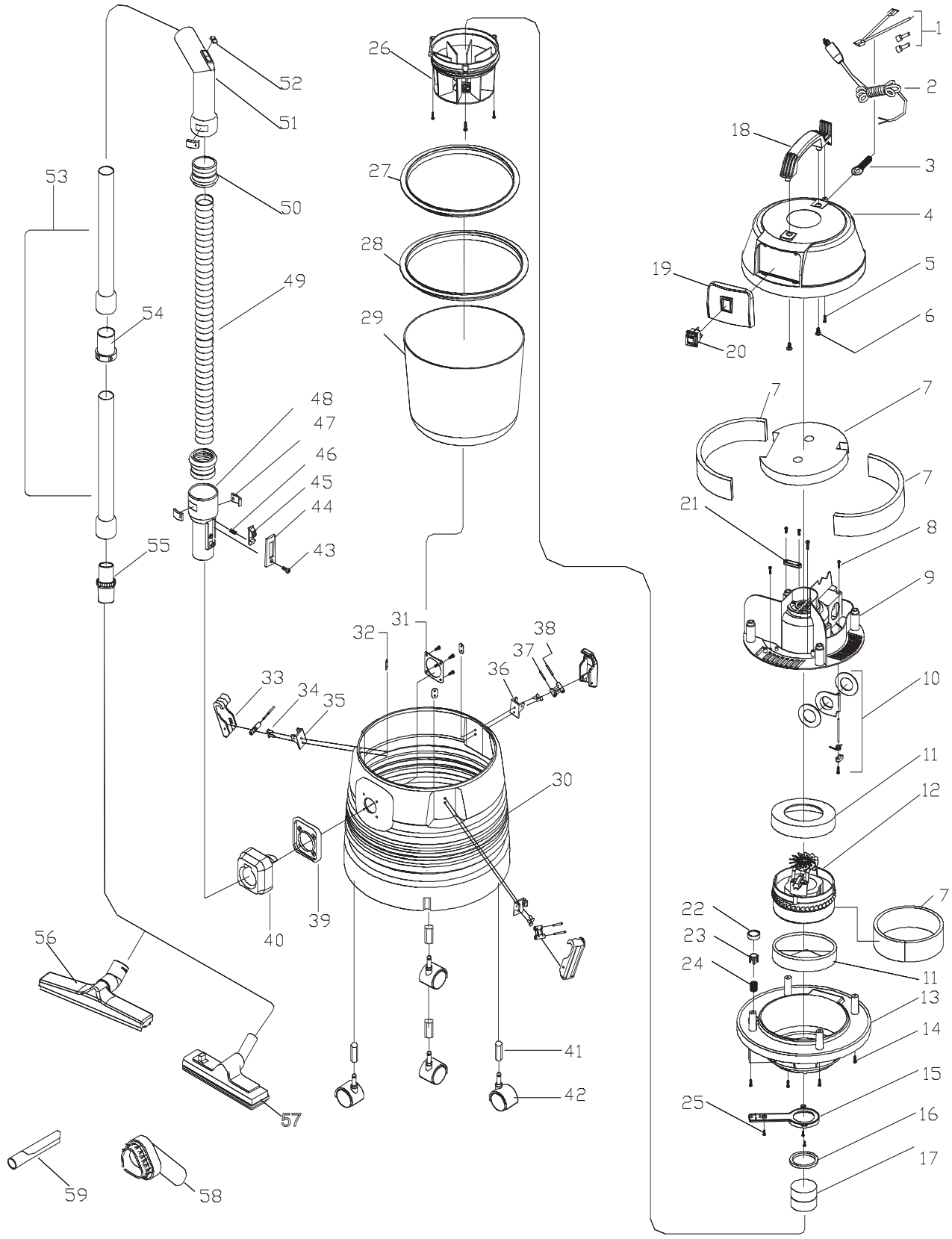
1. To dismantle, unclip both latches and remove top housing and filter with frame.
2. Wash the filter with water and allow it to dry.
3. After washing, remove excess water with a gentle squeegee.
4. Replace the filter and top housing and fasten the latches.

**NOTE:** This cleaner is designed with a powerful suction. Do not be alarmed if the motor noise increases when performing tougher cleaning work.

### PARTS NAME



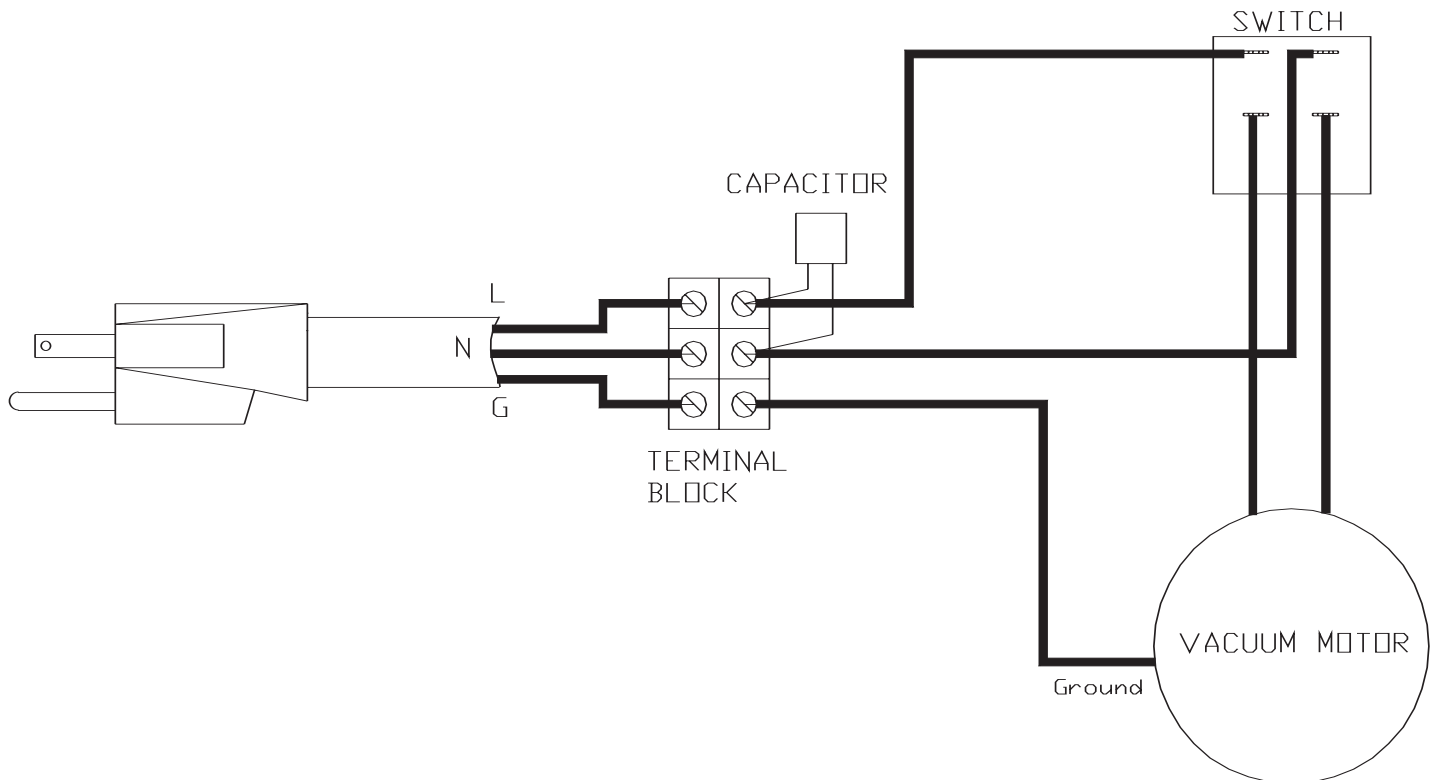
# Model PF51 Parts



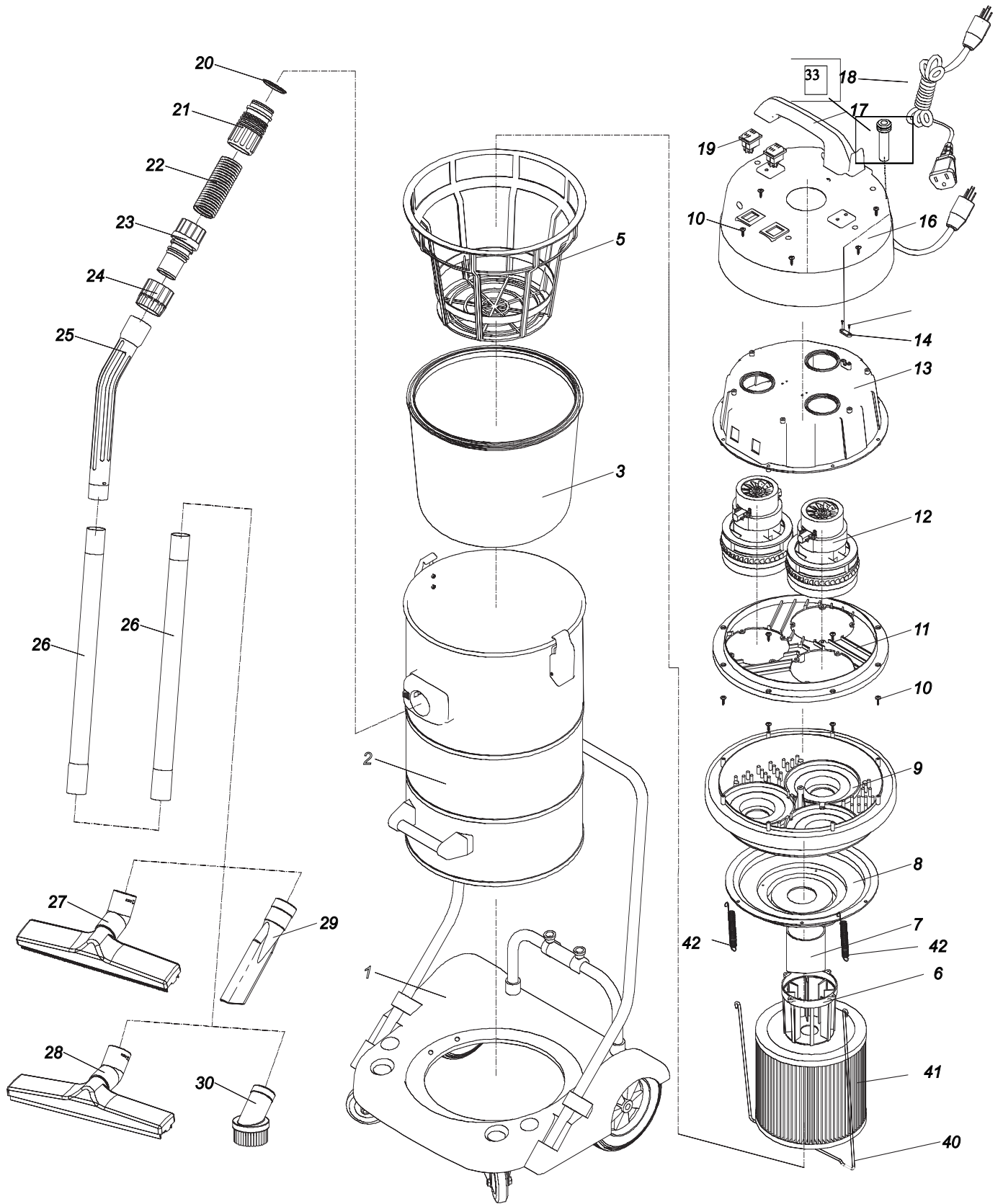
## Model PF51 Parts

ref #	item #	description
2	WD88	power cord
4	WD89	top cover
7	WD90	sponge
	WD91	sponge
	WD92	sponge
	WD93	sponge
10	WD94	relief valve
11	WD95	gasket motor
12	WD15	motor
13	WD96	motor holder
15	WD97	cover
17	WD99	float
18	WD100	handle
20	WD101	switch
29	WD102	filter
30	WD103	tank
33	WD98	clamp
41	WD104	wheel holder
42	WD105	wheel
49	WD111	hose assy
53	WD106	wand
56	WD107	squeegee nozzle
57	WD108	floor tool
58	WD109	dust brush
59	WD110	crevice tool

## Model PF51 Wiring Diagram



# Model PF53 Parts



## Model PF53 Parts

### Dolly Assembly - ref #1

WD78	handle
WD79	holder
WD80	handle
WD40	front wheel
WD61	rear wheel
WD81	rear wheel shaft
WD73	plate
WD74	fixed plate
WD62	dolly
FM17	hex screw
WD12	screw
WD52	spring

### Tank Assembly - ref #2

WD38	stainless tank
WD63	clamp assembly
WD44	nut
WD45	suction coupler
WD86	button base
WD46	button
WD47	spring
WD50	rubber washer
WD76	rubber washer
WD77	holder
WD51	fixed plate
WD59	lock cover
WD60	lock button

### Top Head Assembly

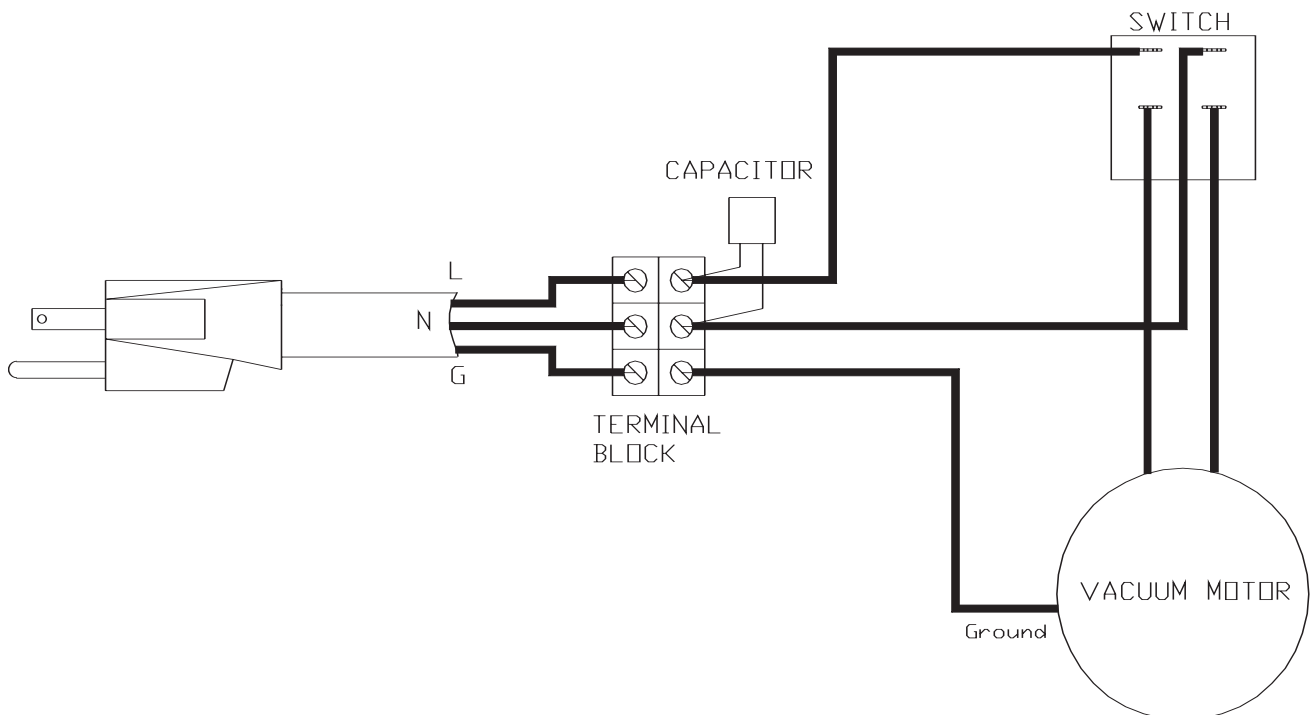
ref #	item #	description
10		screw
17	WD20	handle
16	WD65	top cover
18	WD66	power cord

ref #	item #	description
	WD17	wire plate
19	WD87	power switch
13	WD16	middle seat
11	WD14	base
	WD69	sponge
	WD70	sponge
	WD82	base block
	WD83	top block
	WD84	blocker
	WD68	gasket
	WD54	gasket top
12	WD15	motor
	WD85	stopper
9	WD87	housing base
8	WD10	base cover
7	WD9	float
6	WD8	frame
42	WD37	spring
41	WD36	paper filter
40	WD35	hook

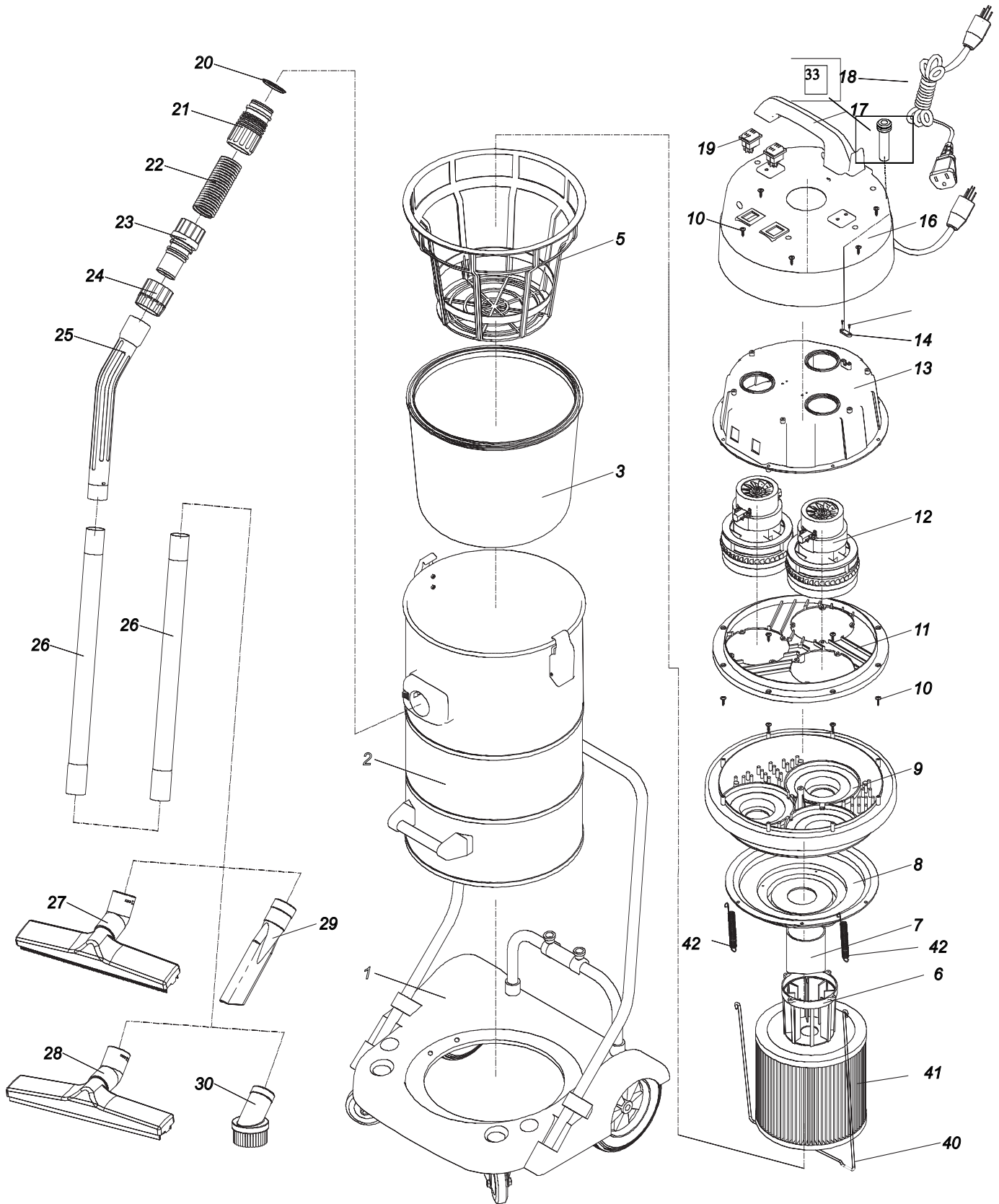
### Accessories

ref #	item #	description
5	WD7	filter frame (long)
3	WD3	filter and gasket
22	WD25	hose assembly
21	WD24	connector
20	WD23	seal
25	WD28	bend connector
26	WD29	extension wand
24	WD27	fixer
23	WD26	connector
29	WD32	crevice tool
30	WD33	round brush

## Model PF53-55 Wiring Diagram



# Model PF55-PF57 Parts

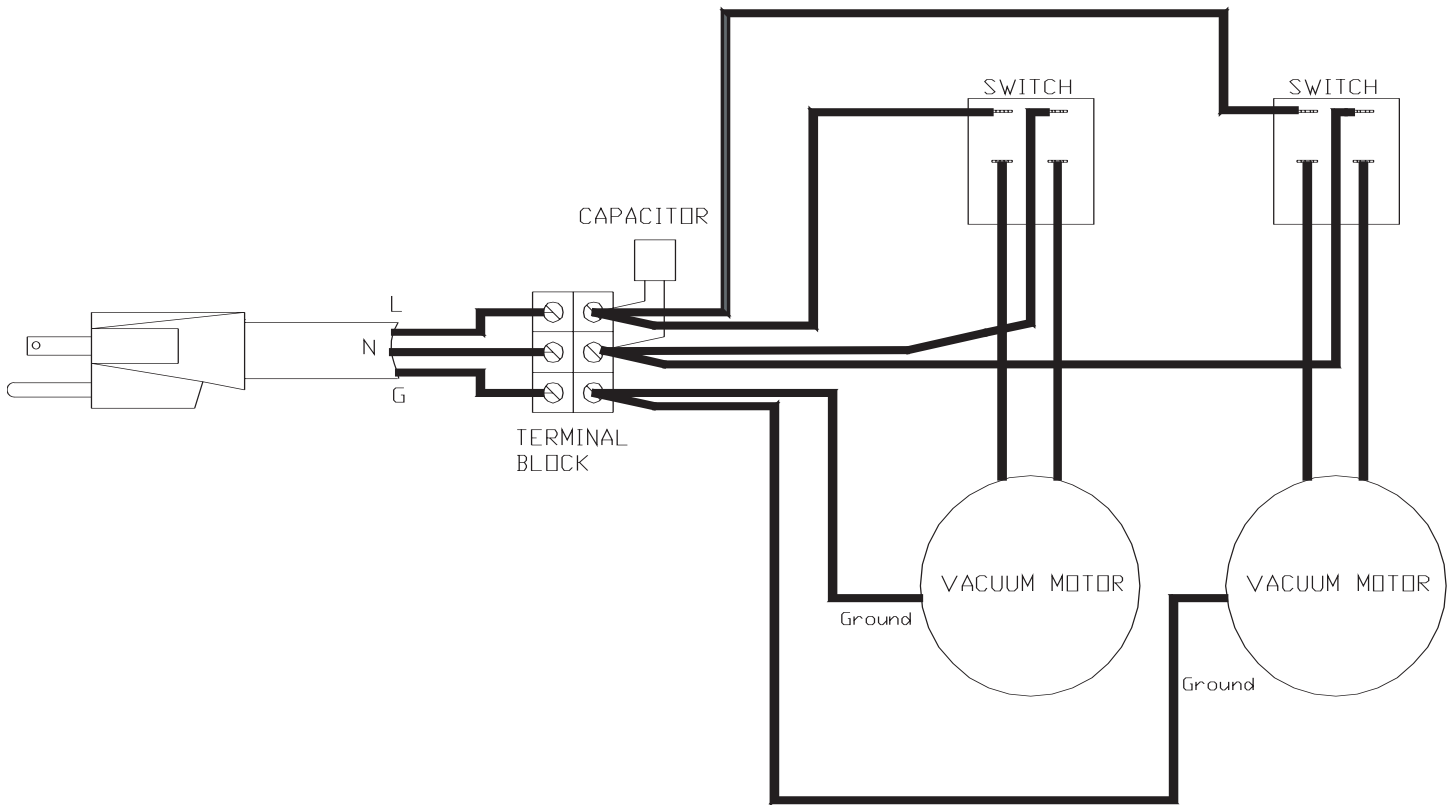




## Model PF55-PF57 Parts

ref #	item #	description			
Dolly Assembly - ref #1				WD85	seal plate
	WD71	handle	11	WD14	holder
	WD72	holder	9	WD11	motor seat
	WD75	handle	8	WD10	base
	WD40	front wheel	7	WD9	float
	FM17	hex screw	6	WD8	frame
	WD41	rear wheel	42	WD37	spring
	WD42	shaft of rear wheel	41	WD36	paper filter
	WD43	plate	40	WD35	hook
	WD12	screw	Cord Assembly		
	WD74	fixed plate	18	WD21	power cord
	WD1	dolly		WD17	cord plate
Tank Assembly - ref #2				WD18	screw
	WD2	stainless tank	19	WD22	power switch
	WD43	clamp assembly	Accessory		
	WD44	nut	22	WD25	hose assembly
	WD45	suction coupler	21	WD24	connector
	WD86	button base	20	WD23	seal
	WD46	button	25	WD28	bend connector
	WD47	spring	26	WD29	extension wand
	WD50	rubber washer	24	WD27	holder
	WD76	washer	23	WD26	connector
	WD77	holder	29	WD32	crevice tool
	WD51	fixed plate	30	WD33	round brush
	WD59	fixed holder	Nozzle		
	WD60	fixed holder		WD86	squeegee
	WD52	spring		WD87	wheels
Filter Assembly				WD88	shaft
	WD4	holder	Nozzle Body		
5	WD7	frame		WD89	bottom plate
Top Assembly				WD90	base cover
17	WD20	handle		WD91	rear wheel
16	WD19	top cover		WD92	shaft 15.5*8*26.5
13	WD16	middle seat		WD93	small wheel
	WD53	gasket		WD94	shaft for small wheel
12	WD15	motor		WD95	squeegee (long)
	WD54	gasket		WD96	squeegee (short)
	WD55	gasket			
	WD56	sponge			

# Model PF57 Wiring Diagram



## TROUBLE SHOOTING GUIDE

### Loss of Suction

#### CAUSE:

- 1) Tank full.
- 2) Dry filter assembly clogged.
- 3) Clogged hose or wand.
- 4) Tank rim is dented.
- 5) Loose or broken fan.
- 6) Motor not working.
- 7) Float not functioning.
- 8) Seal worn.

#### SOLUTION:

- 1) Empty Tank
- 2) Clean cloth filter.
- 3) Remove obstruction.
- 4) Replace tank.
- 5) Contact manufacturer or service center.
- 6) Contact manufacturer or service center.
- 7) Check to see if float moves freely or tank is full.
- 8) Replace seal.

### Motor is not running

#### CAUSE:

- 1) Broken switch.
- 2) Defective power cord.
- 3) Defective motor.

#### SOLUTION:

- 1) Contact manufacturer or service center.
- 2) Contact manufacturer or service center.
- 3) Contact manufacturer or service center.

### Dust blowing from unit when running

#### CAUSE:

- 1) Cloth filter dirty.
- 2) Cloth filter is torn.
- 3) Cloth filter is not installed.  
chimney soot or sheet rock.

#### SOLUTION:

- 1) Clean cloth filter.
- 2) Replace filter.
- 3) Install cloth filter, when vacuuming very fine dust,

### Water blowing from unit when running

#### CAUSE:

- 1) Tank is full of liquid.
- 2) Sudsy or foamy liquid is being picked up.

#### SOLUTION:

- 1) Empty tank.
- 2) Add defoamer to tank.

### *The Powr-Flite Limited Warranty*

The manufacturer warrants to the original purchaser that products manufactured are free from defects, provided such goods are installed, operated and maintained in accordance with written manuals or other instructions for a period of 1 year from date of purchase on workmanship, motor, and parts. In case you, as our customer, meet any trouble with your machine, contact a Powr-Flite representative, who will be happy to be of service to you and will take care of any warranty issues.



3101 Wichita Court  
Fort Worth, TX 76140  
800.880.2913