

# **P**ERLESS POTTERY



Residential & Commercial  
Toilets, Lavatories & Urinals

*Continuous Quality  
Creating  
Affordable Elegance*

## Residential



7160  
7161  
7164

7660

7668

42510  
41510  
44510

42560  
41560  
44560

4160

4660

7160JB  
7660JB  
7668JB



1608

3162

22 OP

24 OP

51 OP

3662  
3DF662

11678

6800

## Commercial



8320

116

216

616

316

400

## Lavatories



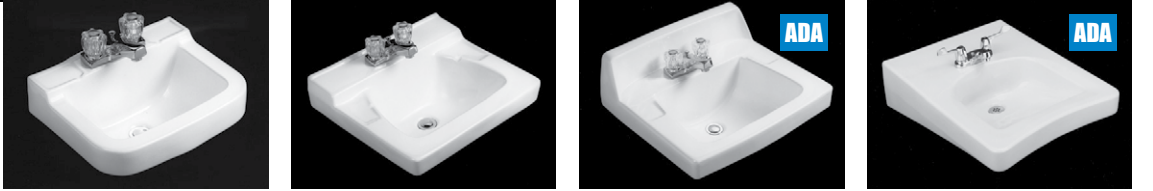
849/850

859/860

29

39  
40

79  
80



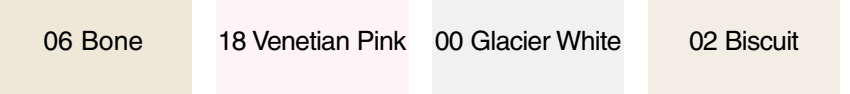
14

30

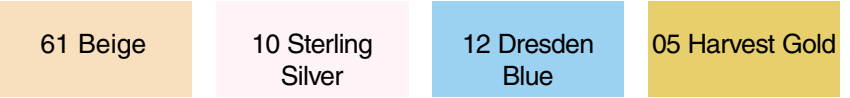
65  
66

45  
46

## Urinals



Colors Available



## NO. 7, 7RH, 7IN, 42 Tank

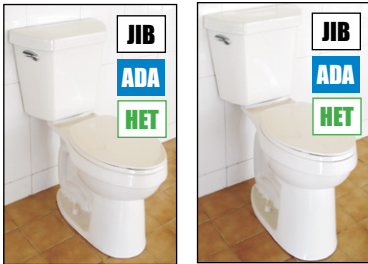
1.6 gpf / 6.0 lpf Vitreous China



42510JB  
42560JB

10670

1-606



6806

12808

Catalog Index	
Item	Page
Tanks	3
<a href="#">Residential Toilets</a>	5
<a href="#">Commercial Toilets</a>	26
<a href="#">Lavatories</a>	32
<a href="#">Urinals</a>	41
<a href="#">Reference Guide</a>	44
<a href="#">Pallet Chart &amp; Shipping Info</a>	46

### Model Numbers:

- No. 7
- No. 7RH (Right Hand)
- No. 7IN (Insulated)
- No. 42



### Description:

- 1.6 gpf/6.0 Lpf
- Use #7 Tank with bowl models 160, 161, 164, 660, & 668
- Use #42 Tank with bowl models 510 & 560
- Available in white and colors
- 7RH (Right Hand) available in white, bone and biscuit
- 7IN (Insulated) available in white and bone
- Polished brass trip levers available upon request
- Approximate weight 36 lbs.

## NO. 4 Tank

1.6 gpf / 6.0 lpf Vitreous China

### Description:

- 1.6 gpf/6.0 Lpf
- Use #4 Tank with bowl models 160, 510, 560, 660, & 668
- Available in white, bone and biscuit
- Approximate weight 36 lbs.

**Model Number:** No. 4



## Magnum Tank No. 2, 44



(866) 457-5785 • (812) 649-9920

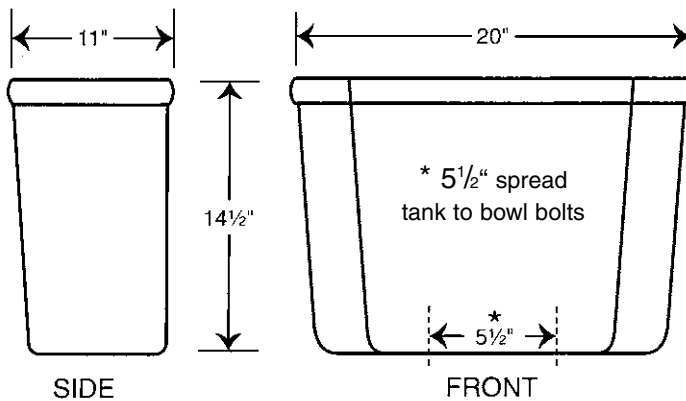
Fax (812) 649-9930

This **Magnum Tank** is offered in an up-to-date style that will convert a 12" rough-in to a 14" application.

**Order:** No. 2, No. 44

### Description:

- 1.6 gpf/6.0 Lpf
- Use #2 tank with bowl models 160, 660, and 668 to convert to 14" rough-in
- Use #44 tank with bowl models 510 & 560 to convert to 14" rough-in
- Available in white, bone and biscuit
- Approximate weight 40 lbs.



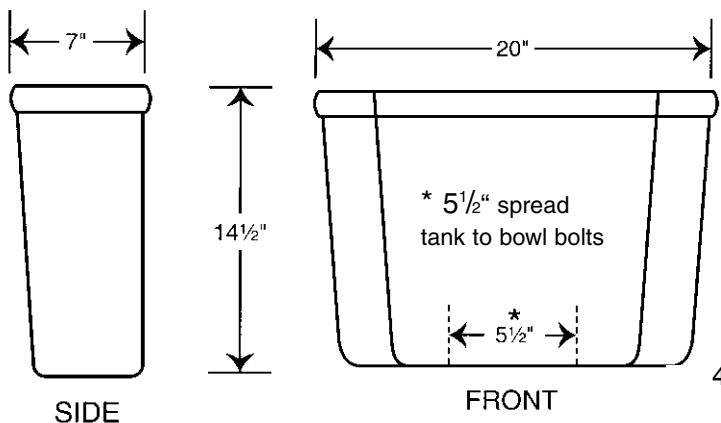
## Trouble Shooter Tank No. 9, 41

This **Trouble Shooter Tank** is offered in a new, modern style that will convert a 12" rough-in to a 10" application.

**Order:** No. 9, No. 41

### Description:

- 1.6 gpf/6.0 Lpf
- Use #9 tank with bowl models 160, 660, and 668 to convert to 10" rough-in
- Use #41 tank with bowl models 510 & 560 to convert to 10" rough-in
- Available in white, bone and biscuit
- Approximate weight 32 lbs.



**7160 Madison Round Front Toilet**

- Reduce water consumption and save money  
One flush performance at 1.6 gpf every time.
- 2" glazed trapway passes a 1-7/8" ball which results in smooth discharges without clogging after each flush.
- Flush valve 2".
- MaP rating Middle Range
- Low profile toilet height of 29-5/16" ideal for retrofit applications.
- Rim Height 15-7/8" with seat on for comfortable use.
- 12" Rough in .
- Vitreous china for easy cleaning.
- Easy installation.
- 2 bolt cap covers.
- Limited 5 year warranty on vitreous china and one year warranty on tank fittings.

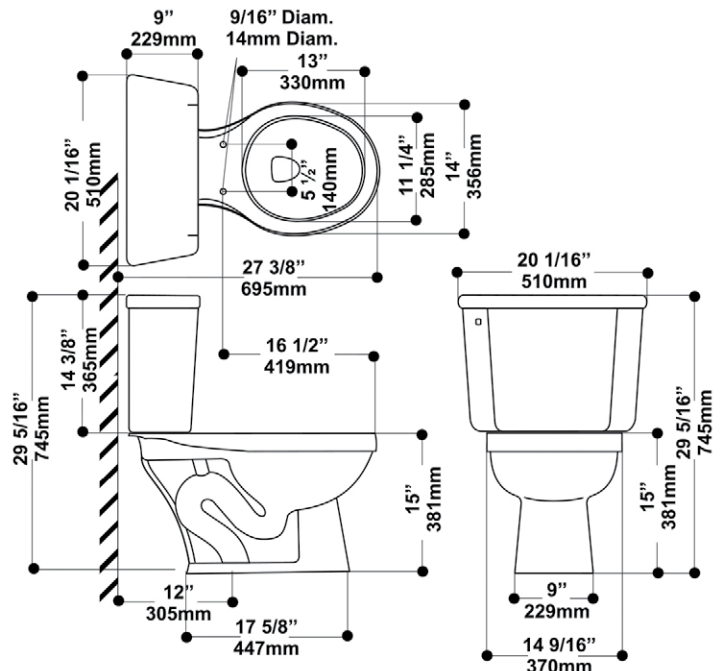
**Colors Available:** White, Biscuit and Bone

**Recommended Seats:** Bemis 6900 (closed front, with cover)  
Bemis 655C (open front, less cover)

**Model Numbers:**

- 7160-12" Rough-in (#7 tank, #160 bowl)
- 7161-10" Rough-in (#7 tank, #161 bowl)
- 7164-14" Rough-in (#7 tank, #164 bowl)
- 9160-10" Rough-in (#9 tank, #160 bowl)
- 2160-14" Rough-in (#2 tank, #160 bowl)

**Nominal Dimensions:** 27-3/8" x 20-1/16" x 29-1/2"



**Notes:**

- This toilet is designed for a 12" (305 mm) rough installation.
- All fixture dimensions shown are nominal and may vary within industry accepted tolerances established BYASME / CSA Standard.
- Fixture only, seat, cover, and wax ring not included.
- Information and measurements shown are subject to changes or cancellation.
- Peerless Pottery assumes no responsibility or liability for local or state regulations different from federal standards.
- It is the responsibility of the installer to comply with local codes and standards prior to installation of bathroom fixtures.

# Hancock No. 7660

1.6 gpf / 6.0 lpf Vitreous China



(866) 457-5785 • (812) 649-9920

Fax (812) 649-9930

## 7660 Hancock Elongated Front Toilet

- Reduce water consumption and save money  
One flush performance at 1.6 gpf every time.
- 1 -7/8" glazed trapway passes a 1-3/4" ball which results in smooth discharges without clogging after each flush.
- Flush valve 2".
- MaP rating 650g.
- Low profile toilet height of 29-1/4" ideal for retrofit applications.
- Elongated front bowl for comfortable use and improved hygiene.
- Rim Height 15-3/8" with seat on for comfortable use.
- 12" Rough in .
- Vitreous china for easy cleaning.
- Easy installation.
- 2 bolt cap covers.
- Limited 5 year warranty on vitreous china and one year warranty on tank fittings.

**Colors Available:** White, Biscuit and Bone

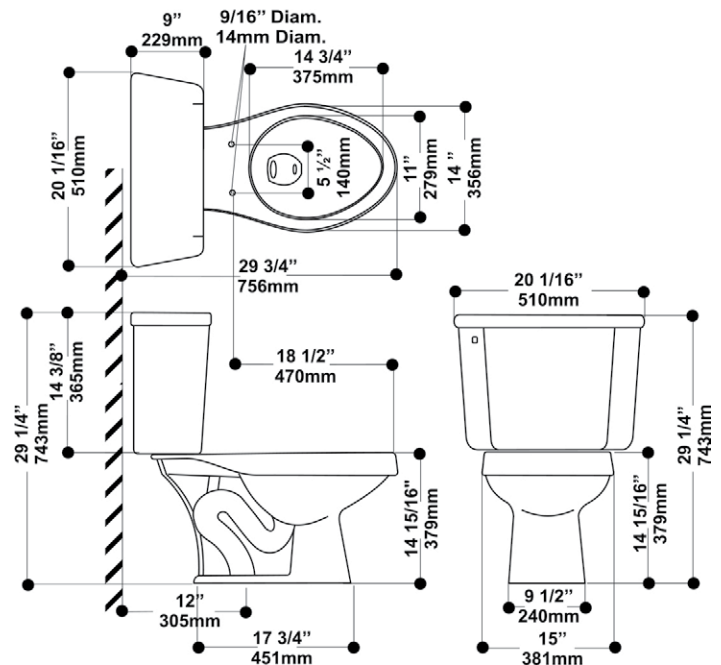
**Recommended Seats:** Bemis 170 AR (closed front, with cover)  
Milan 660-Intercommerce (open front, less cover)



## Model Numbers:

- 7660-12" Rough-in (#7 tank, #660 bowl)
- 9660-10" Rough-in (#9 tank, #660 bowl)
- 2660-14" Rough-in (#2 tank, #660 bowl)

**Nominal Dimensions:** 29-3/4" x 20-1/16" x 29-1/4"



## Notes:

- This toilet is designed for a 12" (305 mm) rough installation.
- All fixture dimensions shown are nominal and may vary within industry accepted tolerances established BYASME / CSA Standard.
- Fixture only, seat, cover, and wax ring not included.
- Information and measurements shown are subject to changes or cancellation.
- Peerless Pottery assumes no responsibility or liability for local or state regulations different from federal standards.
- It is the responsibility of the installer to comply with local codes and standards prior to installation of bathroom fixtures.

**7668 McKinley Elongated Front Toilet**

- John-In-A-Box includes:
  - Elongated bowl
  - Seat & cover
  - Wax ring
  - Mounting bolts
 Also available as separate pieces.
- 2" glazed trapway passes a 1-7/8" ball which results in smooth discharges without clogging after each flush.
- Flush valve 2".
- MaP rating Middle Range
- Low profile toilet height of 33" ideal for retrofit applications.
- Large footprint 19 x 9-1/4" ideal for retrofit applications.
- Rim height 18-7/8" with seat on (ADA)
- Elongated front bowl for comfortable use and improved hygiene.
- Rim Height 15-3/8" with seat on for comfortable use.
- 12" Rough in .
- Vitreous china for easy cleaning.
- Easy installation.
- 2 bolt cap covers.
- Limited 5 year warranty on vitreous china and one year warranty on tank fittings.

**Colors Available:** White, Biscuit and Bone

**Recommended Seats:** Bemis 1950 (closed front, with cover)

**Model Numbers:**

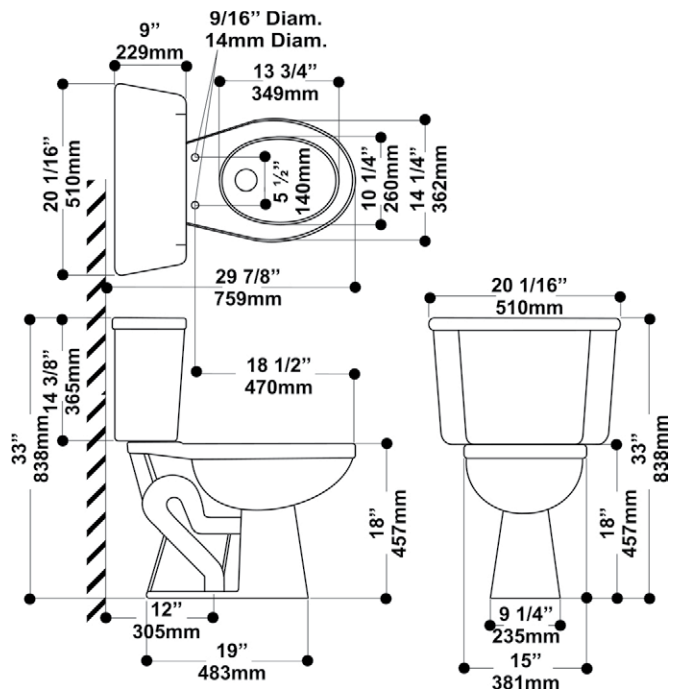
- 7668 12" Rough-in (#7 tank, #668 bowl)
- 9668 10" Rough-in (#9 tank, #668 bowl)
- 2668 14" Rough-in (#2 tank, #668 bowl)

**Nominal Dimensions:** 29-7/8" x 20-1/16" x 33"



**Notes:**

- This toilet is designed for a 12" (305 mm) rough installation.
- All fixture dimensions shown are nominal and may vary within industry accepted tolerances established BYASME / CSA Standard.
- Fixture only, seat, cover, and wax ring not included.
- Information and measurements shown are subject to changes or cancellation.
- Peerless Pottery assumes no responsibility or liability for local or state regulations different from federal standards.
- It is the responsibility of the installer to comply with local codes and standards prior to installation of bathroom fixtures.



# Liberty No. 42510

1.6 gpf / 6.0 lpf Vitreous China



(866) 457-5785 • (812) 649-9920

Fax (812) 649-9930

## 42510 Liberty Round Front Toilet

- John-In-A-Box includes:
  - Elongated bowl
  - Seat & cover
  - Wax ring
  - Mounting bolts
 Also available as separate pieces.
- 2" glazed trapway passes a 1-7/8" ball which results in smooth discharges without clogging after each flush.
- Flush valve 2"
- MaP rating Middle Range
- Certified Pilot Valve
- Low profile toilet height of 30" ideal for retrofit applications.
- Rim height 15-7/8" with seat on.
- 12" Rough in .
- Vitreous china for easy cleaning.
- Easy installation.
- 2 bolt cap covers.
- Limited 5 year warranty on vitreous china and one year warranty on tank fittings.



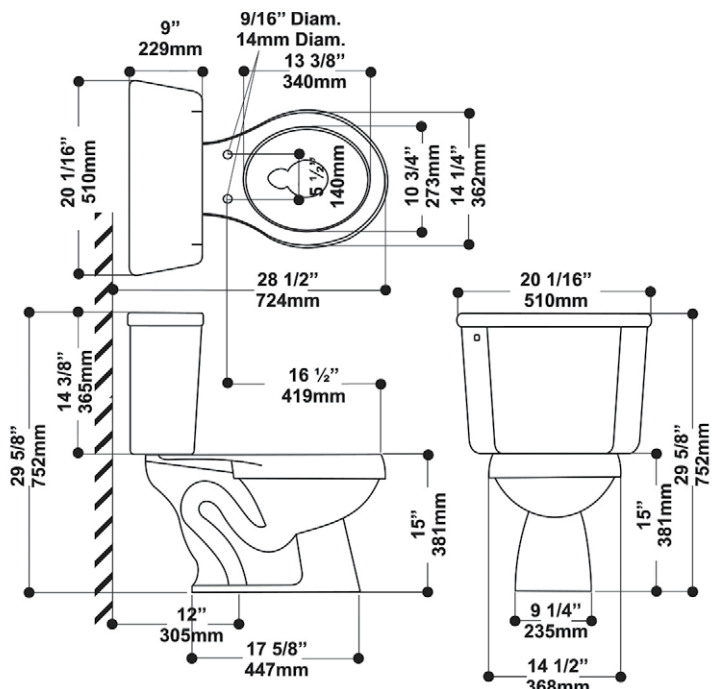
**Colors Available:** White, Biscuit and Bone

**Recommended Seats:** Bemis 170 AR (closed front, with cover)  
Milan 660-Intercommerce (open front, less cover)

### Model Numbers:

- 42510 12" rough-in (#42 tank, #510 bowl)
- 41510 10" rough-in (#41 tank, #510 bowl)
- 44510 14" rough-in (#44 tank, #510 bowl)

**Nominal Dimensions:** 28-1/2" x 20-1/16" x 29-5/8"



### Notes:

- This toilet is designed for a 12" (305 mm) rough installation.
- All fixture dimensions shown are nominal and may vary within industry accepted tolerances established BYASME / CSA Standard.
- Information and measurements shown are subject to changes or cancellation.
- Peerless Pottery assumes no responsibility or liability for local or state regulations different from federal standards.
- It is the responsibility of the installer to comply with local codes and standards prior to installation of bathroom fixtures.



**42560 Independence Elongated Front Toilet**

- John-In-A-Box includes:
  - Elongated bowl
  - Seat & cover
  - Wax ring
  - Mounting bolts
 Also available as separate pieces.
- 2" glazed trapway passes a 1-7/8" ball which results in smooth discharges without clogging after each flush.
- Flush valve 2".
- MaP rating Middle Range
- Certified Pilot Valve
- Low profile toilet height of 29-1/2" ideal for retrofit applications.
- Rim height 15-5/8" with seat on.
- 12" Rough in .
- Vitreous china for easy cleaning.
- Easy installation.
- 2 bolt cap covers.
- Limited 5 year warranty on vitreous china and one year warranty on tank fittings.

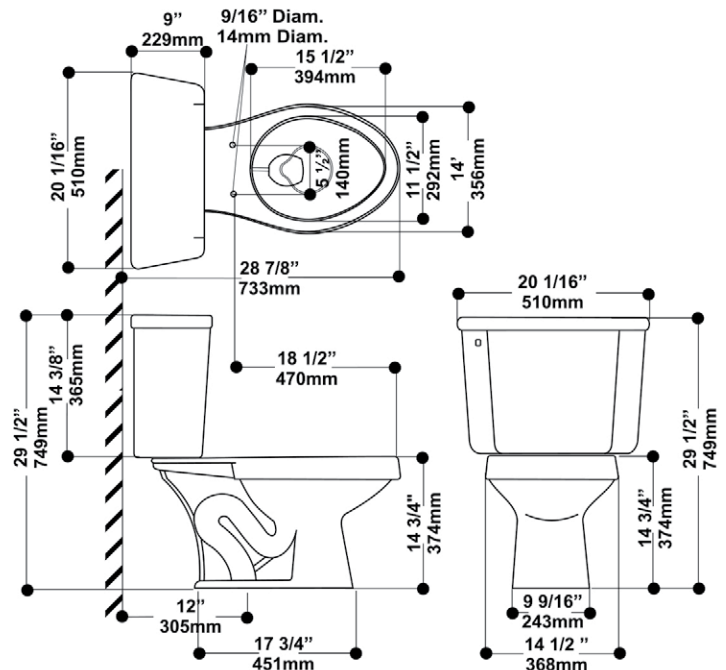
**Colors Available:** White, Biscuit and Bone

**Recommended Seats:** Bemis 1950 (closed front, with cover)  
EXEL Slow Drop 96 (open front, less cover)

**Model Numbers:**

- 42560 -12" Rough (#42 tank, #560 bowl)
- 41560 -10" Rough (#41 tank, #560 bowl)
- 44560 -14" Rough (#44 tank, #560 bowl)

**Nominal Dimensions:** 28-7/8" x 20-1/16" x 29-1/2"



**Notes:**

- This toilet is designed for a 12" (305 mm) rough installation.
- All fixture dimensions shown are nominal and may vary within industry accepted tolerances established BYASME / CSA Standard.
- Information and measurements shown are subject to changes or cancellation.
- Peerless Pottery assumes no responsibility or liability for local or state regulations different from federal standards.
- It is the responsibility of the installer to comply with local codes and standards prior to installation of bathroom fixtures.

# Madison Aero No. 4160

1.6 gpf / 6.0 lpf Vitreous China



(866) 457-5785 • (812) 649-9920

Fax (812) 649-9930

## 4160 Madison Aero Round Front Toilet

- Reduce water consumption and save money  
One flush performance at 1.6 gpf every time.
- 2" glazed trap way passes a 1-7/8" ball which results in smooth discharges without clogging after each flush.
- Flush valve 2"
- MaP rating Middle Range
- Low profile toilet height of 29-15/16" ideal for retrofit applications.
- Elongated front bowl for comfortable use and improved hygiene.
- Rim Height 15-7/8" with seat on for comfortable use.
- 12" Rough in .
- Vitreous china for easy cleaning.
- Easy installation.
- 2 bolt cap covers.
- Limited 5 year warranty - on vitreous china and one year warranty on tank fittings.

**Colors Available:** White, Biscuit and Bone

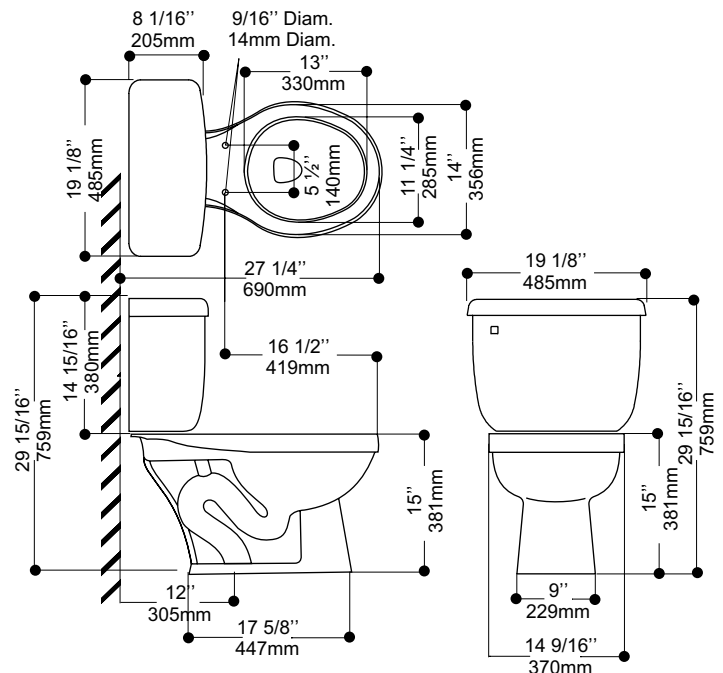
### Recommended seats:

Bemis 6900 (closed front, with cover)

Bemis 655C (open front, less cover)



**Model number:** 4160 (#4 tank, #160 bowl)



### Notes:

- This toilet is designed for a 12" (305 mm) rough installation.
- All fixture dimensions shown are nominal and may vary within industry accepted tolerances established BYASME / CSA Standard.
- Fixture only, seat, cover, and wax ring not included.
- Information and measurements shown are subject to changes or cancellation.
- Peerless Pottery assumes no responsibility or liability for local or state regulations different from federal standards.
- It is the responsibility of the installer to comply with local codes and standards prior to installation of bathroom fixtures.

**4660 Hancock Aero Elongated Front Toilet**

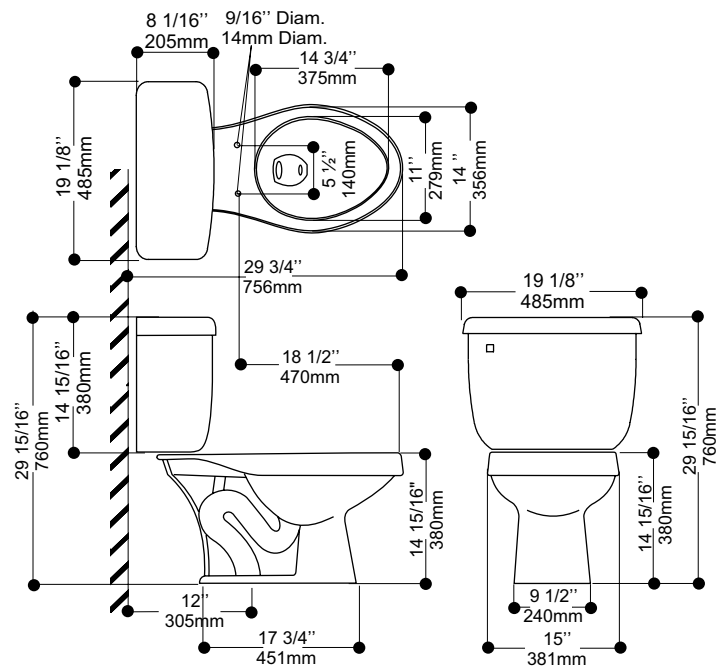
- Reduce water consumption and save money  
One flush performance at 1.6 gpf every time.
- 2" glazed trap way passes a 1-7/8" ball which results in smooth discharges without clogging after each flush.
- Flush valve 2".
- MaP rating Middle Range
- Low profile toilet height of 29-3/4" ideal for retrofit applications.
- Elongated front bowl for comfortable use and improved hygiene.
- Rim Height 15-13/16" with seat on for comfortable use.
- 12" Rough in.
- Vitreous china for easy cleaning.
- Easy installation.
- 2 bolt cap covers.
- Limited 5 year warranty on vitreous china and one year warranty on tank fittings.

**Colors Available:** White, Biscuit and Bone

**Recommended Seats:** Bemis 6900 (closed front, with cover)  
Bemis 655C (open front, less cover)

**Model Number:** 4660 (#4 tank, #660 bowl)

**Nominal Dimensions:** 29-3/4" x 19-1/8" x 29-15/16"



**Notes:**

- This toilet is designed for a 12" (305 mm) rough installation.
- All fixture dimensions shown are nominal and may vary within industry accepted tolerances established BYASME / CSA Standard.
- Fixture only, seat, cover, and wax ring not included.
- Information and measurements shown are subject to changes or cancellation.
- Peerless Pottery assumes no responsibility or liability for local or state regulations different from federal standards.
- It is the responsibility of the installer to comply with local codes and standards prior to installation of bathroom fixtures.

# John-In-A-Box 7160JB, 7660JB, 7668JB

1.6 gpf / 6.0 lpf Vitreous China



(866) 457-5785 • (812) 649-9920

Fax (812) 649-9930

## 7160JB, 7660JB, 7668JB John-In-A-Box Complete Replacement Toilet Kit

- 12" Rough in
- Siphonic wash
- Water seal exceeds 2 1/8"
- New enlarged fully glazed trapway
- Water surface area 8 1/4" x 8 3/4"
- Wax ring included
- Closet Bolts included
- Toilet seat included
- Available in white and bone
- Vitreous china for easy cleaning.
- Easy installation.
- 2 bolt cap covers.
- Limited 5 year warranty on vitreous china and one year warranty on tank fittings.



This product is in compliance with ADA when properly installed.

**Colors available:** White and Bone

### Model numbers:

- 7160JB Round front
- 7660JB Elongated front
- 7668JB ADA Elongated front

# 42510JB, 42560JB

1.6 gpf / 6.0 lpf Vitreous China

## 42510JB, 42560JB John-In-A-Box Complete Replacement Toilet Kit

- Siphonic wash
- Water seal exceeds 2-1/8"
- New enlarged fully glazed trapway
- Water surface area 8-1/4" x 8-3/4"
- Wax ring included
- Closet bolts included
- Toilet seat included
- Available in white and bone
- Vitreous china for easy cleaning.
- Easy installation.
- 2 bolt cap covers.
- Limited 5 year warranty on vitreous china and one year warranty on tank fittings.



**Colors available:** White and Bone

### Model numbers:

- 42510JB Round front
- 42560JB Elongated front

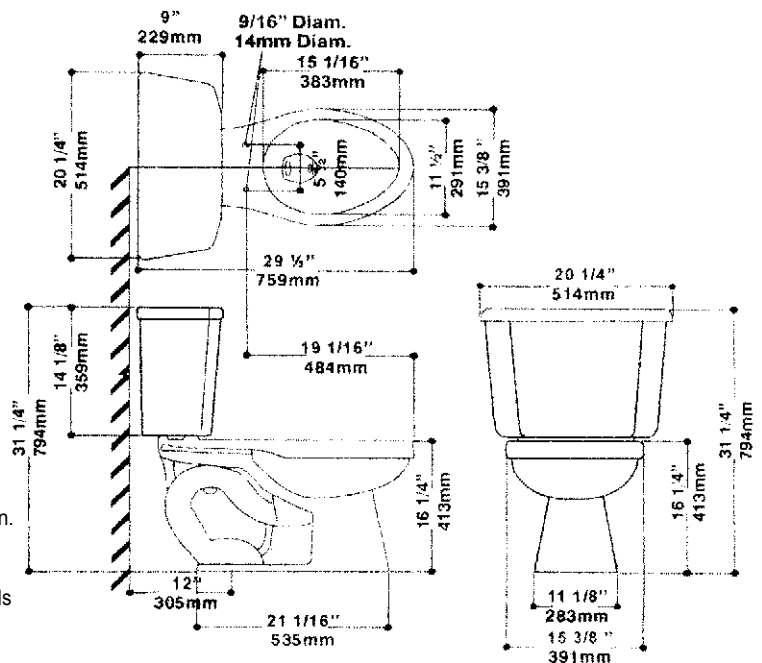
**10670 Saturn**

- Extra Wide 3" Flapper doubles the initial water discharge flowrate when compared vs. conventional 2" flapper toilets.
- 2 1/8" glazed trapway passes a 2" ball which results in smooth discharges without clogging after each flush.
- Fluidmaster "It is the Right Choice"® inlet and outlet valves for efficient one-flush performance every time.
- Low profile toilet height of 31 1/4" ideal for retrofit applications.
- Large footprint 21-1/16" x 11-1/8" ideal for retrofit applications.
- Elongated front bowl for comfortable use and improved hygiene.
- ADA Rim Height 17" with seat on for comfortable use.
- Vitreous china for easy cleaning.
- Easy installation.
- 2 bolt cap covers.
- 12" Rough in.
- Flush System 100% factory tested
- Limited 5 year warranty on vitreous china and one year warranty on tank fittings.

**Colors Available:** White, Biscuit and Bone

**Model Number:** 10670 (#10 tank, #670 bowl)

**Nominal Dimensions:** 31-1/4" x 20-1/4" x 29-1/2"



**Notes:**

- This toilet is designed for a 12" (305 mm) rough installation.
- All fixture dimensions shown are nominal and may vary within industry accepted tolerances established BYASME / CSA Standard.
- Information and measurements shown are subject to changes or cancellation.
- Peerless Pottery assumes no responsibility or liability for local or state regulations different from federal standards.
- It is the responsibility of the installer to comply with local codes and standards prior to installation of bathroom fixtures.

# Predator No. 1-606

HET 1.0 gpf / 3.8 lpf Vitreous China



(866) 457-5785 • (812) 649-9920

Fax (812) 649-9930

## 1-606 Predator Elongated Front Toilet Pressure Assisted Flushmate IV® Inside

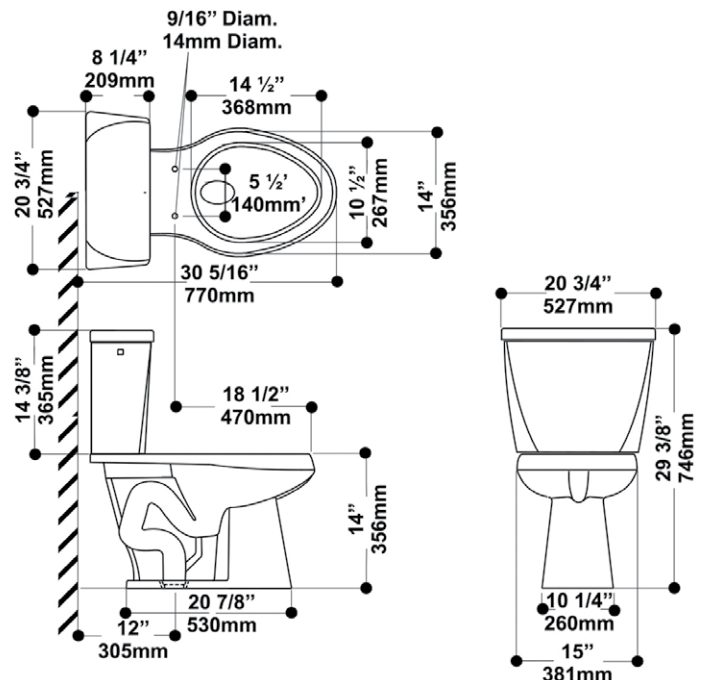
- High Efficiency Toilet consumes less than 1 gallon per flush; saving 37% or more water vs. conventional low-consumption toilets.
- 2-1/8" fully-glazed 2" ballpass trapway for smooth discharges without clogging after each flush.
- *Pressure assisted siphon jet flush.*
- FLUSHMATE IV® INSIDE for efficient one-flush performance every time.
- Low profile toilet height of 29-3/8" ideal for retrofit applications.
- Large footprint 20-7/8" x 10 1/4" ideal for retrofit applications.
- Elongated front bowl for comfortable use and improved hygiene.
- Rim Height 14-7/8" with seat on for comfortable use.
- Vitreous china for easy cleaning.
- Easy installation.
- 2 bolt cap covers.
- 12" Rough in.
- Flush System 100% factory tested
- Limited 5 year warranty on vitreous china and one year warranty on tank fittings.

**Colors Available:** White, Biscuit and Bone

**Recommended Seats:** Bemis 170 AR (closed front, with cover)

**Model Number:** 1606 (#1 tank, #606 bowl)

**Nominal Dimensions:** 30-5/16" x 20-3/4" x 29-3/8"



### Notes:

- This toilet is designed for a 12" (305 mm) rough installation.
- All fixture dimensions shown are nominal and may vary within industry accepted tolerances established BYASME / CSA Standard.
- Fixture only, seat, cover, and wax ring not included.
- Information and measurements shown are subject to changes or cancellation.
- Peerless Pottery assumes no responsibility or liability for local or state regulations different from federal standards.
- It is the responsibility of the installer to comply with local codes and standards prior to installation of bathroom fixtures.

**1608 Predator Elongated Front Toilet  
Pressure Assisted Flushmate IV® Inside**

- High Efficiency Toilet consumes less than 1 gallon per flush; saving 37% or more water vs. conventional low-consumption toilets.
- 2-1/8" fully-glazed 2" ballpass trapway for smooth discharges without clogging after each flush.
- *Pressure assisted siphon jet flush.*
- FLUSHMATE IV® INSIDE for efficient one-flush performance every time.
- Low profile toilet height of 32-1/8" ideal for retrofit applications.
- Large footprint 20-7/8" x 10-1/4" ideal for retrofit applications.
- Elongated front bowl for comfortable use and improved hygiene.
- Rim Height 17-7/8" with seat on for comfortable use.
- Easy installation.
- 2 bolt cap covers.
- 12" Rough in.
- Flush System 100% factory tested
- Limited 5 year warranty on vitreous china and one year warranty on tank fittings.

**Colors Available:** White, Biscuit and Bone

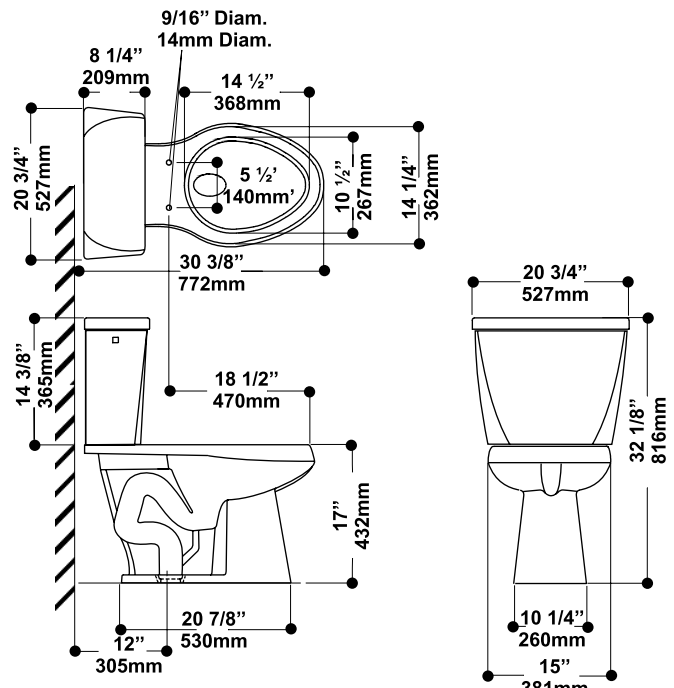
**Recommended Seats:** Bemis 170 AR (closed front, with cover)  
Milan 660-Intercommerce (open front, less cover)

**Model Number:** 1608 (#1 tank, #608 bowl)

**Nominal Dimensions:** 30-3/8" x 20-3/4" x 32-1/8"



This product is in compliance with ADA when properly installed.



**Notes:**

- This toilet is designed for a 12" (305 mm) rough installation.
- All fixture dimensions shown are nominal and may vary within industry accepted tolerances established BYASME / CSA Standard.
- Fixture only, seat, cover, and wax ring not included.
- Information and measurements shown are subject to changes or cancellation.
- Peerless Pottery assumes no responsibility or liability for local or state regulations different from federal standards.
- It is the responsibility of the installer to comply with local codes and standards prior to installation of bathroom fixtures.

# Flora No. 3162

1.28 gpf / 4.8 lpf Vitreous China



(866) 457-5785 • (812) 649-9920

Fax (812) 649-9930

## 3162 Flora Round Front Toilet

- **HET** - High Efficiency Toilet
- John-In-A-Box (JIB) includes:
  - Round bowl
  - Seat & cover
  - Wax ring
  - Mounting bolts
- *Also available as separate pieces.*
- 2" glazed trapway passes a 1-7/8" ball which results in smooth discharges without clogging after each flush.
- Flush valve 2".
- MaP rating Middle Range
- Low profile toilet height of 30" ideal for retrofit applications.
- Large footprint 17-5/8" x 9"
- Elongated front bowl for comfortable use and improved hygiene.
- Rim Height 15-3/8" with seat on for comfortable use.
- 12" Rough in.
- Vitreous china for easy cleaning.
- Easy installation.
- 2 bolt cap covers.
- Limited 5 year warranty on vitreous china and one year warranty on tank fittings.

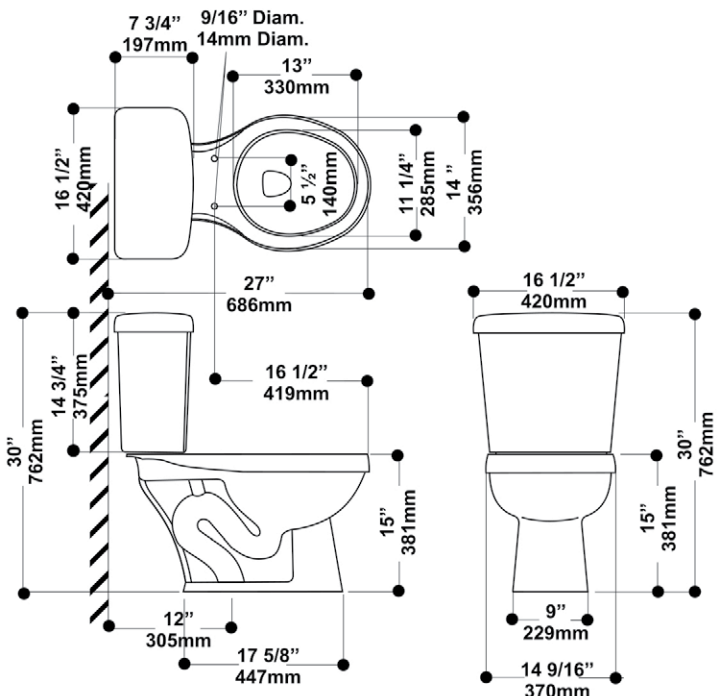


**Colors Available:** White, Biscuit and Bone

**Recommended Seats:** Bemis 6900 (closed front, with cover)  
Bemis 655C (open front, less cover)

**Model Number:** 3162 (#162 Bowl, #3 Tank)

**Nominal Dimensions:** 27" x 16-1/2" x 30"



**Notes:**

- This toilet is designed for a 12" (305 mm) rough installation.
- All fixture dimensions shown are nominal and may vary within industry accepted tolerances established BYASME / CSA Standard.
- Fixture only, seat, cover, and wax ring not included.
- Information and measurements shown are subject to changes or cancellation.
- Peerless Pottery assumes no responsibility or liability for local or state regulations different from federal standards.
- It is the responsibility of the installer to comply with local codes and standards prior to installation of bathroom fixtures.



**022 One-piece 1.6 gpf Toilet**

**023 One-piece, Dual Flush 1.6 gpf/1.1gpf Toilet**

- Reduce water consumption and save money  
One flush performance at 1.6 gpf every time.
- \* 2" glazed trapway passes a 1-7/8" ball which results in smooth discharges without clogging after each flush.
- Flush valve 2".
- MaP rating Middle Range
- Certified pilot valve.
- Low profile toilet height of 25-1/2" ideal for retrofit applications.
- Large footprint 19" x 9-5/8" ideal for retrofit applications.
- Elongated front bowl for comfortable use and improved hygiene.
- Rim Height 15-5/8" with seat on for comfortable use.
- Vitreous china for easy cleaning.
- Easy installation.
- 2 bolt cap covers.
- 12" Rough in.
- Flush System 100% factory tested
- Limited 5 year warranty on vitreous china and one year warranty on tank fittings.

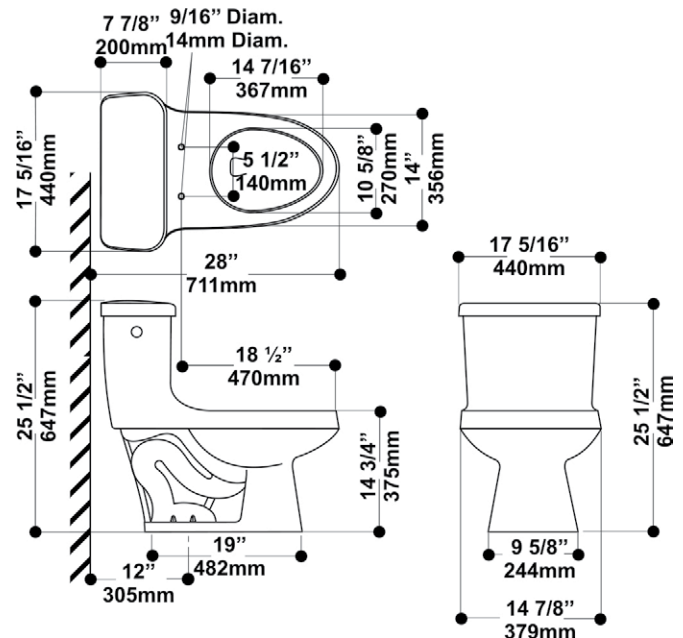


**Colors Available:** White, Biscuit and Bone

**Recommended Seats:** Bemis 170 AR (closed front, with cover)  
Milan 660-Intercommerce (open front, less cover)

**Model Number:** 022 One-piece

**Nominal Dimensions:** 28 x 17-5/16" x 25-1/2"



**Notes:**

- This toilet is designed for a 12" (305 mm) rough installation.
- All fixture dimensions shown are nominal and may vary within industry accepted tolerances established by ASME / CSA Standard.
- Fixture only, seat, cover, and wax ring not included.
- Information and measurements shown are subject to changes or cancellation.
- Peerless Pottery assumes no responsibility or liability for local or state regulations different from federal standards.
- It is the responsibility of the installer to comply with local codes and standards prior to installation of bathroom fixtures.

# Cronos No. 024

1.6 gpf / 6.0 lpf Vitreous China



(866) 457-5785 • (812) 649-9920

Fax (812) 649-9930

## 024 Cronos One-Piece Toilet

- HET - High Efficiency Toilet
- Save water at 20% for solids and 37% for liquids against the conventional toilet at 1.6 gpf.
- One flush performance at 1.6 gpf every time.
- 2" glazed trap way passes a 1-7/8" ball which results in smooth discharges without clogging after each flush.
- Flush valve 2".
- MaP rating Middle Range
- Certified pilot valve.
- Low profile toilet height of 27-1/2" ideal for retrofit applications.
- Large footprint 20-1/2" x 10-1/8" ideal for retrofit applications.
- Elongated front bowl for comfortable use and improved hygiene.
- Rim Height 15-7/8" with seat on for comfortable use.
- Rough in 12"
- Vitreous china for easy cleaning.
- Easy installation.
- Limited 5 year warranty on vitreous china and one year warranty on tank fittings.

**Colors Available:** White and Bone

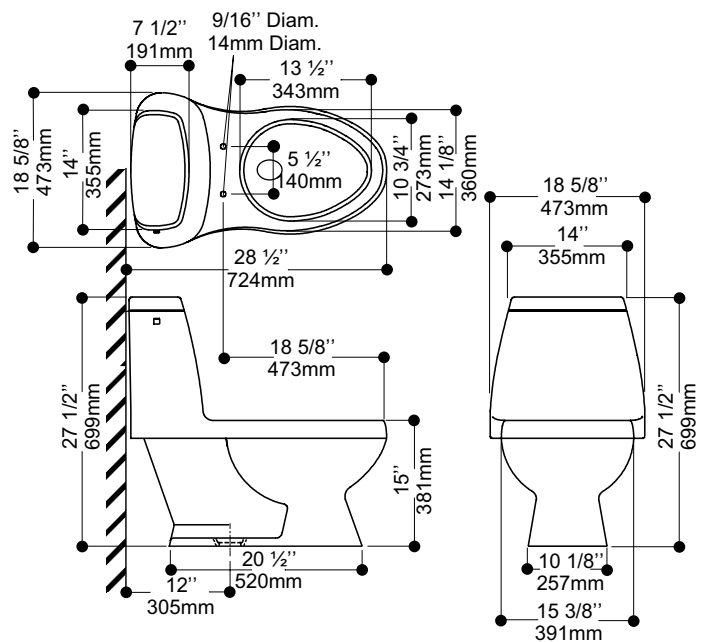
### Recommended Seats:

Includes slow close seat and cover:

Milan-Intercommerce (closed front)

**Model Number:** 024 One-piece

**Nominal Dimensions:** 28-1/2" x 18-5/8" x 27-1/2"



### Notes:

- This toilet is designed for a 12" (305 mm) rough installation.
- All fixture dimensions shown are nominal and may vary within industry accepted tolerances established BYASME / CSA Standard.
- Fixture only, seat, cover, and wax ring not included.
- Information and measurements shown are subject to changes or cancellation.
- Peerless Pottery assumes no responsibility or liability for local or state regulations different from federal standards.
- It is the responsibility of the installer to comply with local codes and standards prior to installation of bathroom fixtures.

**0051 OP Greco Elongated Front Toilet**

- **HET** - High Efficiency Toilet  
Save water at 33% for liquids against the conventional toilet at 1.6 gpf.
- Reduce water consumption and save money.  
Dual flush performance at 1.06 /1.28 gpf every time.
- 2" glazed trapway passes a 1-7/8" ball which results in smooth discharges without clogging after each flush.
- Flush valve 2".
- MaP rating Middle Range
- Certified pilot valve.
- Low profile toilet height of 25 1/2" ideal for retrofit applications.
- Large footprint 19" x 9-5/8" ideal for retrofit applications.
- Elongated front bowl for comfortable use and improved hygiene.
- Rim height 15-5/8" with seat on for comfortable use.
- 12" Rough in
- Vitreous china for easy cleaning.
- Easy installation.
- 2 bolt cap covers.
- Limited 5 year warranty on vitreous china.

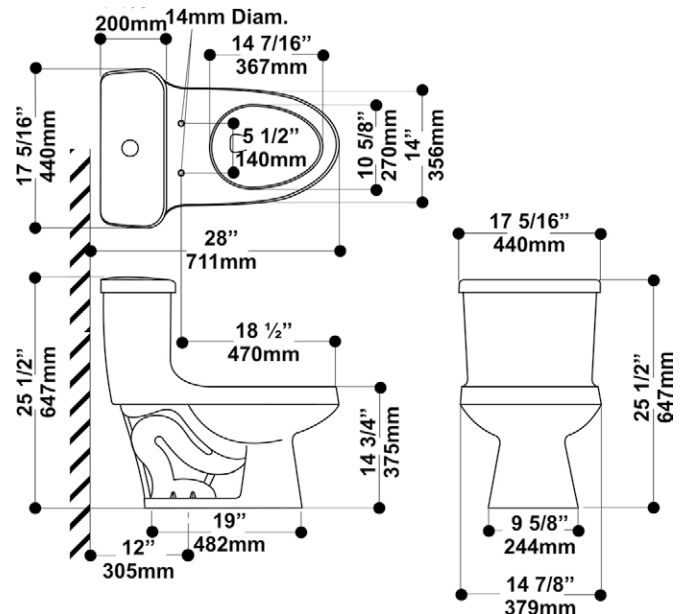


**Colors Available:** White, Biscuit and Bone

**Recommended Seats:** Bemis 1200TT (closed front, with cover)  
Bemis 170AR (closed front, with cover)

**Model number:** 0051DF, One Piece

**Nominal Dimensions:** 28" x 17-5/16" x 25-1/2"



**Notes:**

- This toilet is designed for a 12" (305 mm) rough installation.
- All fixture dimensions shown are nominal and may vary within industry accepted tolerances established BYASME / CSA Standard.
- Fixture only, seat, cover, and wax ring not included.
- Information and measurements shown are subject to changes or cancellation.
- Peerless Pottery assumes no responsibility or liability for local or state regulations different from federal standards.
- It is the responsibility of the installer to comply with local codes and standards prior to installation of bathroom fixtures.

# Flora No. 3662

1.28 gpf / 6.0 lpf Vitreous China



(866) 457-5785 • (812) 649-9920

Fax (812) 649-9930

## 3662 Flora Elongated Front Toilet

- HET - High Efficiency Toilet
- John-In-A-Box (JIB) includes:
  - Elongated bowl
  - Seat & cover
  - Wax ring
  - Mounting bolts
- *Also available as separate pieces.*
- 1-7/8" glazed trapway passes a 1-3/4" ball which results in smooth discharges without clogging after each flush.
- Flush valve 2".
- MaP rating Middle Range
- Low profile toilet height of 29-5/8" ideal for retrofit applications.
- Large footprint 17-3/4" x 9"
- Elongated front bowl for comfortable use and improved hygiene.
- Rim Height 15-13/16" with seat on for comfortable use.
- 12" Rough in.
- Vitreous china for easy cleaning.
- Easy installation.
- 2 bolt cap covers.
- Limited 5 year warranty on vitreous china and one year warranty on tank fittings.

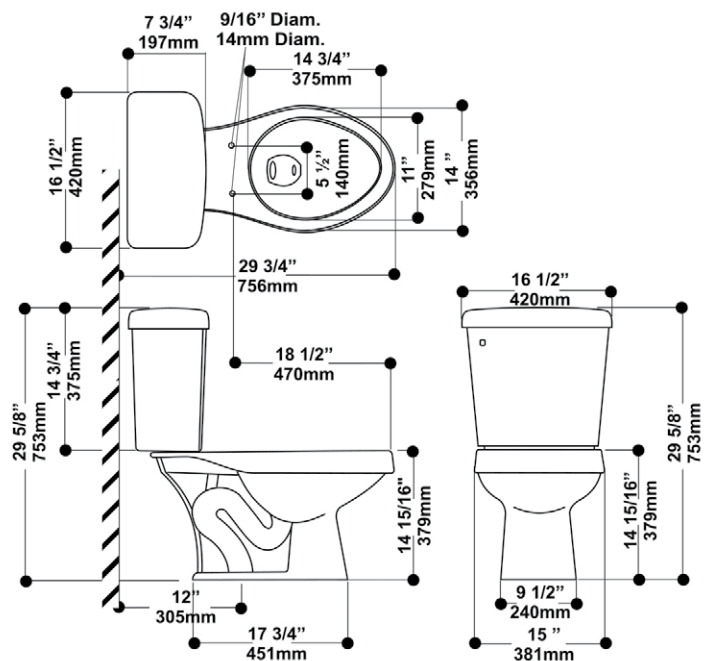


**Colors Available:** White, Biscuit and Bone

**Recommended Seats:** Bemis 170AR (closed front, with cover)  
Bemis 1955C (open front, less cover)

**Model Number:** 3662 (#662 Bowl, #3 Tank)

**Nominal Dimensions:** 29-3/4" x 16-1/2" x 29-5/8"



**Notes:**

- This toilet is designed for a 12" (305 mm) rough installation.
- All fixture dimensions shown are nominal and may vary within industry accepted tolerances established BYASME / CSA Standard.
- Information and measurements shown are subject to changes or cancellation.
- Peerless Pottery assumes no responsibility or liability for local or state regulations different from federal standards.
- It is the responsibility of the installer to comply with local codes and standards prior to installation of bathroom fixtures.

### 3DF662 Flora Elongated Front Toilet

- **HET** - High Efficiency Toilet **Dual Flush**
- John-In-A-Box (JIB) includes:
  - Elongated bowl
  - Seat & cover
  - Wax ring
  - Mounting bolts

*Also available as separate pieces.*
- Low consumption, dual flush
  - Full flush 1.6 gpf / 6.0 lpf
  - Partial Flush 1.1 gpf / 4.0 lpf
- 1-7/8" glazed trapway passes a 1-3/4" ball which results in smooth discharges without clogging after each flush.
- Flush valve 2".
- MaP rating Middle Range
- Low profile toilet height of 29-5/8" ideal for retrofit applications.
- Large footprint 17-3/4" x 9-1/2"
- Elongated front bowl for comfortable use and improved hygiene.
- Rim Height 15-13/16" with seat on for comfortable use.
- 12" Rough in.
- Vitreous china for easy cleaning.
- Easy installation.
- 2 bolt cap covers.
- Limited 5 year warranty on vitreous china and one year warranty on tank fittings.

**FLORA**

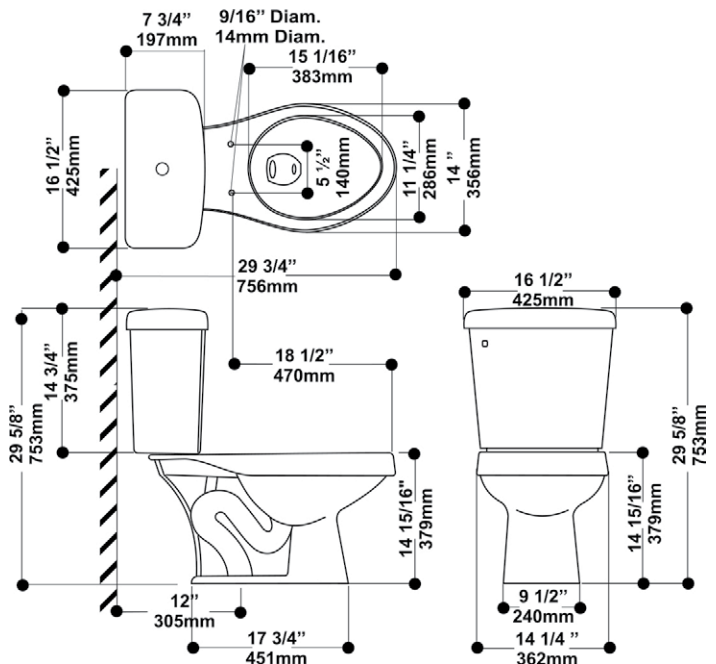


**Colors Available:** White, Biscuit and Bone

**Recommended Seats:** Bemis 170AR (closed front, with cover)  
Bemis 1955C (open front, less cover)

**Model Number:** 3DF662 (#662 Bowl, #3DFTank)

**Nominal Dimensions:** 29-3/4" x 16-1/2" x 29-5/8"



**Notes:**

- This toilet is designed for a 12" (305 mm) rough installation.
- All fixture dimensions shown are nominal and may vary within industry accepted tolerances established BYASME / CSA Standard.
- Fixture only, seat, cover, and wax ring not included.
- Information and measurements shown are subject to changes or cancellation.
- Peerless Pottery assumes no responsibility or liability for local or state regulations different from federal standards.
- It is the responsibility of the installer to comply with local codes and standards prior to installation of bathroom fixtures.

# Flora No. 11678

1.6 gpf / 6.0 lpf Vitreous China



(866) 457-5785 • (812) 649-9920

Fax (812) 649-9930

## 11678 Flora Elongated Front Toilet

- **HET** - High Efficiency Toilet
- John-In-A-Box (JIB) includes:
  - Elongated bowl
  - Seat & cover
  - Wax ring
  - Mounting bolts

*Also available as separate pieces.*
- One flush performance at 1.28 gpf.
- 2-1/8" glazed trapway passes a 2" ball which results in smooth discharges without clogging after each flush.
- Flush valve 3"
- MaP rating Middle Range
- Low profile toilet height of 32-3/4" ideal for retrofit applications.
- Large footprint 23-3/4" x 10-3/4"
- Elongated front bowl for comfortable use and improved hygiene.
- Rim Height 18-7/8" with seat on for comfortable use.
- 12" Rough in.
- Vitreous china for easy cleaning.
- Easy installation.
- 2 bolt cap covers.
- Limited 5 year warranty on vitreous china and one year warranty on tank fittings.



This product is in compliance with ADA when properly installed.

**Colors Available:** White, Biscuit and Bone

**Recommended Seat:** Bemis 170AR (closed front, with cover)

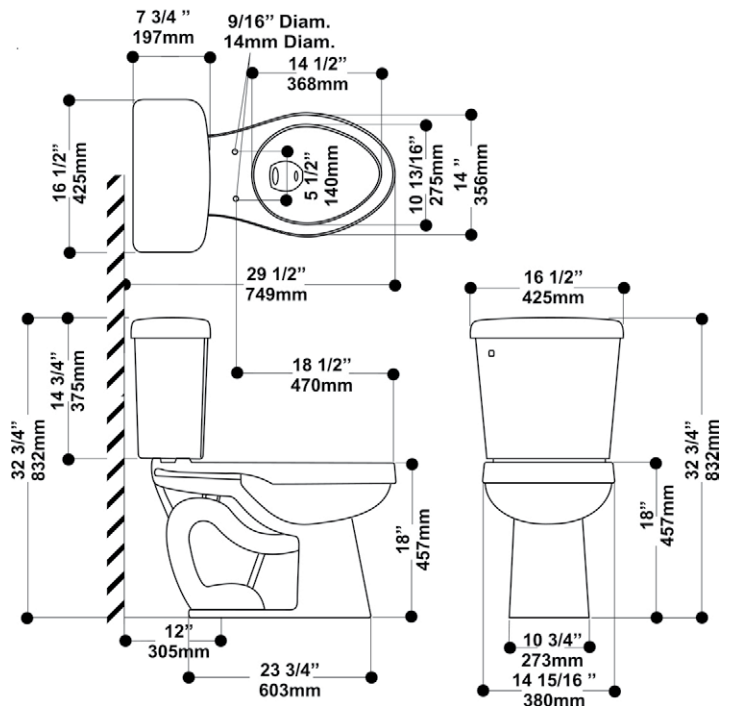
**Model Numbers:** 678 Bowl, 11 Tank

**Nominal Dimensions:** 29-1/2" x 16-1/2" x 32-3/4"



### Notes:

- This toilet is designed for a 12" (305 mm) rough installation.
- All fixture dimensions shown are nominal and may vary within industry accepted tolerances established BYASME / CSA Standard.
- Fixture only, seat, cover, and wax ring not included.
- Information and measurements shown are subject to changes or cancellation.
- Peerless Pottery assumes no responsibility or liability for local or state regulations different from federal standards.
- It is the responsibility of the installer to comply with local codes and standards prior to installation of bathroom fixtures.



**6800 Thor Round Front Toilet**

- **HET** - High Efficiency Toilet
- John-In-A-Box (JIB) includes:  
Round bowl  
Seat & cover  
Wax ring  
Mounting bolts

*Also available as separate pieces.*

- One flush performance at 1.28 gpf.
- 2" glazed trapway passes a 1-7/8" ball which results in smooth discharges without clogging after each flush.
- Flush valve 3".
- MaP rating Middle Range
- Low profile toilet height of 31-5/16" ideal for retrofit applications.
- Large footprint 22-1/2" x 10-13/16"
- Elongated front bowl for comfortable use and improved hygiene.
- Rim Height 17-1/4" with seat on for comfortable use.
- 12" Rough in.
- Vitreous china for easy cleaning.
- Easy installation.
- 2 bolt cap covers.
- Limited 5 year warranty on vitreous china and one year warranty on tank fittings.

**THOR**

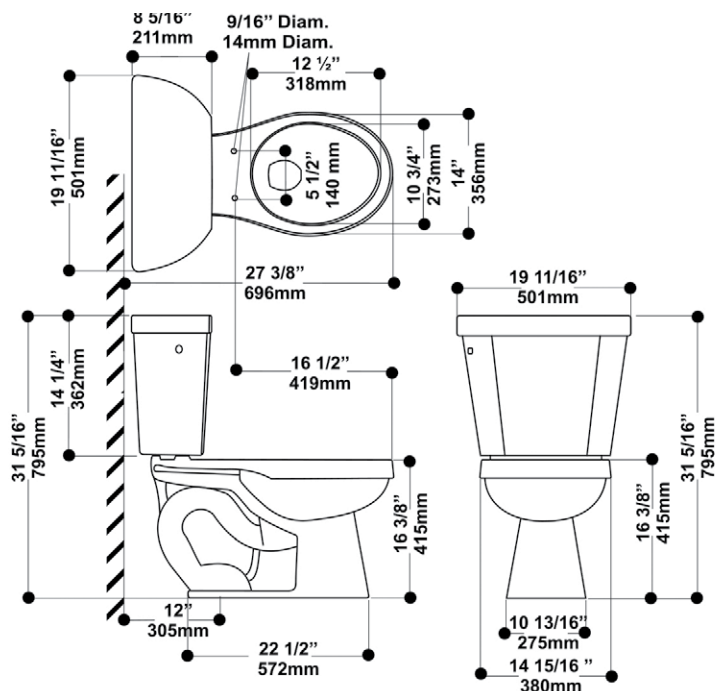


**Colors Available:** White, Biscuit and Bone

**Recommended Seats:** Bemis 6900 (closed front, with cover)  
Bemis 655C (open front, with cover)

**Model Number:** 6800 (#800 Bowl, #6 Tank)

**Nominal Dimensions:** 27-3/8" x 19-11/16" x 31-5/16"



**Notes:**

- This toilet is designed for a 12" (305 mm) rough installation.
- All fixture dimensions shown are nominal and may vary within industry accepted tolerances established BYASME / CSA Standard.
- Information and measurements shown are subject to changes or cancellation.
- Peerless Pottery assumes no responsibility or liability for local or state regulations different from federal standards.
- It is the responsibility of the installer to comply with local codes and standards prior to installation of bathroom fixtures.

# Thor No. 6806

1.28 gpf / 4.8 lpf Vitreous China



(866) 457-5785 • (812) 649-9920

Fax (812) 649-9930

## 6806 Thor Elongated Front Toilet

- **HET** - High Efficiency Toilet
- John-In-A-Box (JIB) includes:
  - Elongated bowl
  - Seat & cover
  - Wax ring
  - Mounting bolts
- *Also available as separate pieces.*
- One flush performance at 1.28 gpf.
- 2" glazed trapway passes a 1-7/8" ball which results in smooth discharges without clogging after each flush.
- Flush valve 3"
- MaP rating Middle Range
- Low profile toilet height of 31-5/16" ideal for retrofit applications.
- Large footprint 23-3/4 x 10-3/4"
- Elongated front bowl for comfortable use and improved hygiene.
- Rim Height 17-1/4" with seat on for comfortable use.
- 12" Rough in.
- Vitreous china for easy cleaning.
- Easy installation.
- 2 bolt cap covers.
- Limited 5 year warranty on vitreous china and one year warranty on tank fittings.

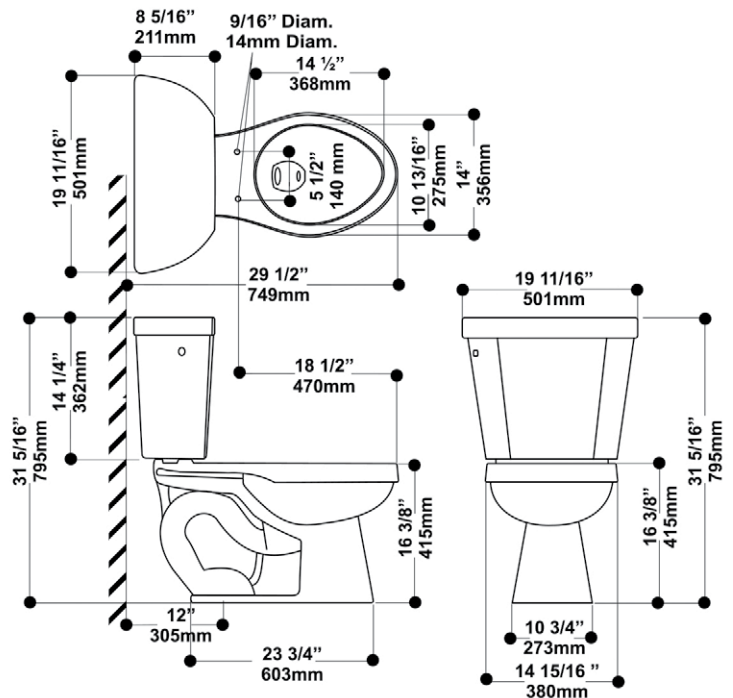


**Colors Available:** White, Biscuit and Bone

**Recommended Seats:** Bemis 6900 (closed front, with cover)  
Bemis 655C (open front, with cover)

**Model Number:** 6806 (#806 Bowl, #6 Tank)

**Nominal Dimensions:** 29-1/2" x 19-11/16" x 31-5/16"



**Notes:**

- This toilet is designed for a 12" (305 mm) rough installation.
- All fixture dimensions shown are nominal and may vary within industry accepted tolerances established BYASME / CSA Standard.
- Fixture only, seat, cover, and wax ring not included.
- Information and measurements shown are subject to changes or cancellation.
- Peerless Pottery assumes no responsibility or liability for local or state regulations different from federal standards.
- It is the responsibility of the installer to comply with local codes and standards prior to installation of bathroom fixtures.



**12808 Thor Elongated Front Toilet**

- **HET** - High Efficiency Toilet
- John-In-A-Box (JIB) includes:
  - Elongated bowl
  - Seat & cover
  - Wax ring
  - Mounting bolts
- *Also available as separate pieces.*
- One flush performance at 1.28 gpf.
- 2" glazed trapway passes a 1-7/8" ball which results in smooth discharges without clogging after each flush.
- Flush valve 3".
- MaP rating Middle Range
- Low profile toilet height of 32-3/4" ideal for retrofit applications.
- Large footprint 23-3/4 x 10-3/4"
- Elongated front bowl for comfortable use and improved hygiene.
- Rim Height 18-7/8" with seat on for comfortable use.
- 12" Rough in.
- Vitreous china for easy cleaning.
- Easy installation.
- 2 bolt cap covers.
- Limited 5 year warranty on vitreous china and one year warranty on tank fittings.

**THOR**



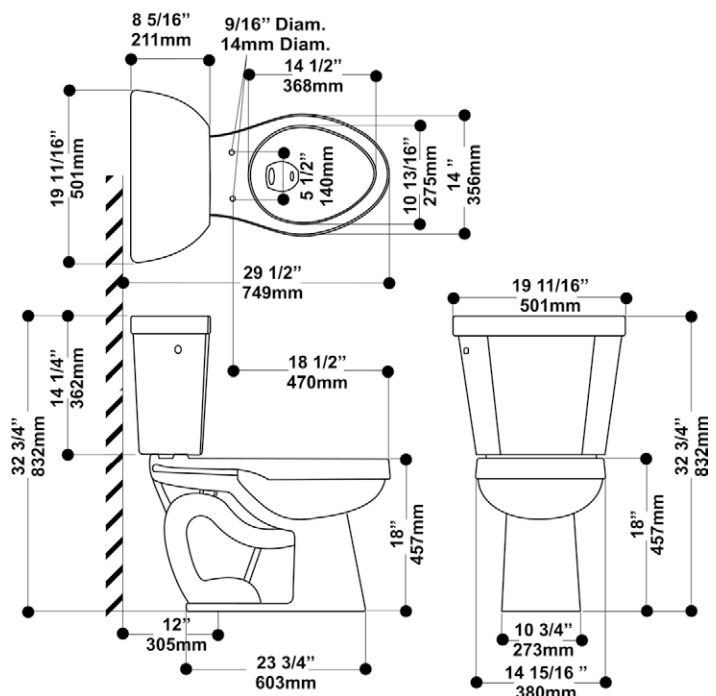
This product is in compliance with ADA when properly installed.

**Colors Available:** White, Biscuit and Bone

**Recommended Seats:** Bemis 170AR (closed front, with cover)

**Model Number:** 12808 (#808 Bowl, #12 Tank)

**Nominal Dimensions:** 29-1/2" x 19-11/16" x 32-3/4"



**Notes:**

- This toilet is designed for a 12" (305 mm) rough installation.
- All fixture dimensions shown are nominal and may vary within industry accepted tolerances established BYASME / CSA Standard.
- Information and measurements shown are subject to changes or cancellation.
- Peerless Pottery assumes no responsibility or liability for local or state regulations different from federal standards.
- It is the responsibility of the installer to comply with local codes and standards prior to installation of bathroom fixtures.

# Bambino No. 8320

1.6 gpf / 6.0 lpf Vitreous China



## 8320 Bambino Round Front Toilet

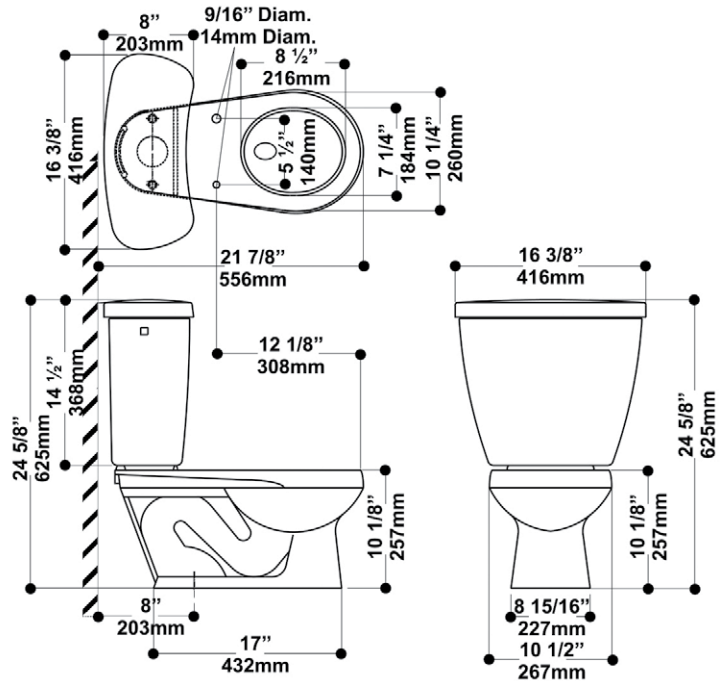
- John-In-A-Box (JIB) includes:
  - Round bowl
  - Seat & cover
  - Wax ring
  - Mounting bolts
 Also available as separate pieces.
- Ergonomically designed for children ages 2 - 6.
- One flush performance at 1.6 gpf.
- 1-7/8" glazed trapway passes a 1-3/4" ball which results in smooth discharges without clogging after each flush.
- Flush valve 2".
- MaP rating Middle Range
- 12" Rough in.
- Vitreous china for easy cleaning.
- Easy installation.
- 2 bolt cap covers.
- Limited 5 year warranty on vitreous china and one year warranty on tank fittings.



**Color Available:** White

**Model Number:** 8320 (#320 Bowl, #8 Tank)

**Nominal Dimensions:** 21-7/8" x 16-3/8" x 24-5/8"



### Notes:

- This toilet is designed for a 12" (305 mm) rough installation.
- All fixture dimensions shown are nominal and may vary within industry accepted tolerances established BYASME / CSA Standard.
- Information and measurements shown are subject to changes Or cancellation.
- Peerless Pottery assumes no responsibility or liability for local or state regulations different from federal standards.
- It is the responsibility of the installer to comply with local codes and standards prior to installation of bathroom fixtures.

**116 Carlton Elongated Front Toilet**

**• HET - Back Spud Bowl**

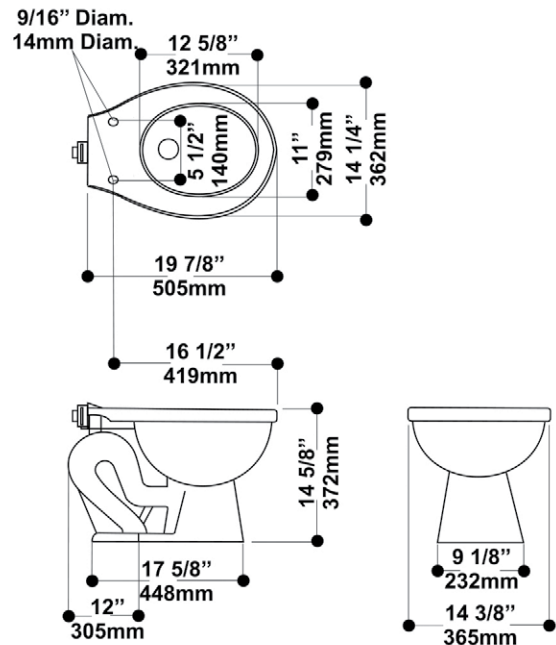
- 1-13/16" glazed trapway passes a 1-11/16" ball which results in smooth discharges without clogging after each flush.
- MaP rating Middle Range
- Low profile toilet height of 29-5/8" ideal for retrofit applications.
- Large footprint 17-3/4" x 9"
- Elongated front bowl for comfortable use and improved hygiene.
- Rim Height 15-1/2" with seat on for comfortable use.
- 10" Rough in.
- 100% Factory flush tested.
- Vitreous china for easy cleaning.
- Easy installation.
- 2 bolt cap covers.
- Limited 5 year warranty on vitreous china and one year warranty on tank fittings.

**Colors Available:** White, Biscuit and Bone

**Recommended Seats:** Bemis 600 (closed front, with cover)  
Bemis 950 (open front, with cover)

**Model Number:** 116 Bowl

**Nominal Dimensions:** 19-7/8" x 14-3/8" x 14-5/8"



**Notes:**

- This toilet is designed for a 12" (305 mm) rough installation.
- All fixture dimensions shown are nominal and may vary within industry accepted tolerances established BYASME / CSA Standard.
- Fixture only, seat, cover, and wax ring not included.
- Information and measurements shown are subject to changes Or cancellation.
- Peerless Pottery assumes no responsibility or liability for local or state regulations different from federal standards.
- It is the responsibility of the installer to comply with local codes and standards prior to installation of bathroom fixtures.

# Franklin No. 216

1.28 gpf / 4.8 lpf Vitreous China



(866) 457-5785 • (812) 649-9920

Fax (812) 649-9930

## 216 Franklin Elongated Front Toilet Top Spud Bowl

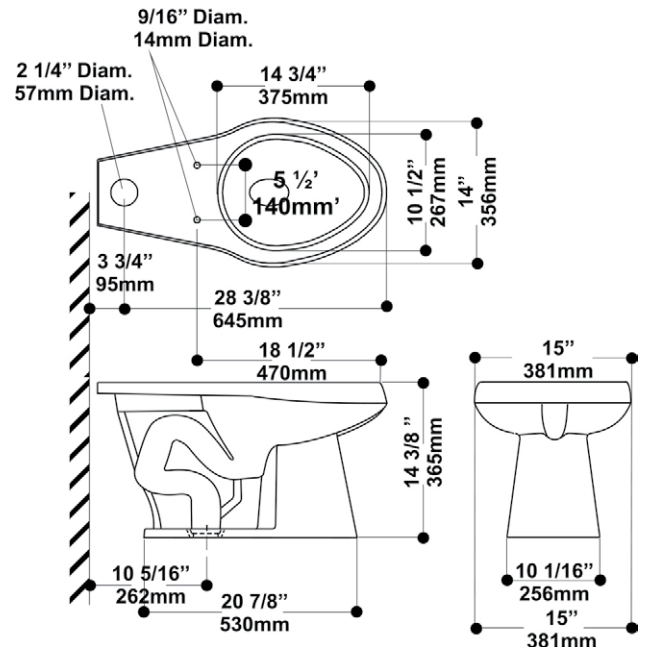
- HET - High Efficiency Toilet
- 2" glazed trapway passes a 1-7/8" ball which results in smooth discharges without clogging after each flush.
- MaP rating Middle Range
- Low profile toilet height of 29-5/8" ideal for retrofit applications.
- Elongated front bowl for comfortable use and improved hygiene.
- Rim Height 15-1/4".
- 12" Rough in.
- 100% Factory flush tested.
- Vitreous china for easy cleaning.
- Easy installation.
- 2 bolt cap covers.
- Limited 5 year warranty on vitreous china and one year warranty on tank fittings.

**Colors Available:** White, Biscuit and Bone

**Recommended Seats:** Bemis 170AR (closed front, with cover)  
Bemis 1955C (open front, less cover)

**Model Number:** 216 Bowl

**Nominal Dimensions:** 28-3/8" x 15" x 14-3/8"



### Notes:

- This toilet is designed for a 12" (305 mm) rough installation.
- All fixture dimensions shown are nominal and may vary within industry accepted tolerances established BYASME / CSA Standard.
- Fixture only, seat, cover, and wax ring not included.
- Information and measurements shown are subject to changes Or cancellation.
- Peerless Pottery assumes no responsibility or liability for local or state regulations different from federal standards.
- It is the responsibility of the installer to comply with local codes and standards prior to installation of bathroom fixtures.

**616 Jefferson Elongated Front Top Spud Toilet**  
**Flushometer Bowl**

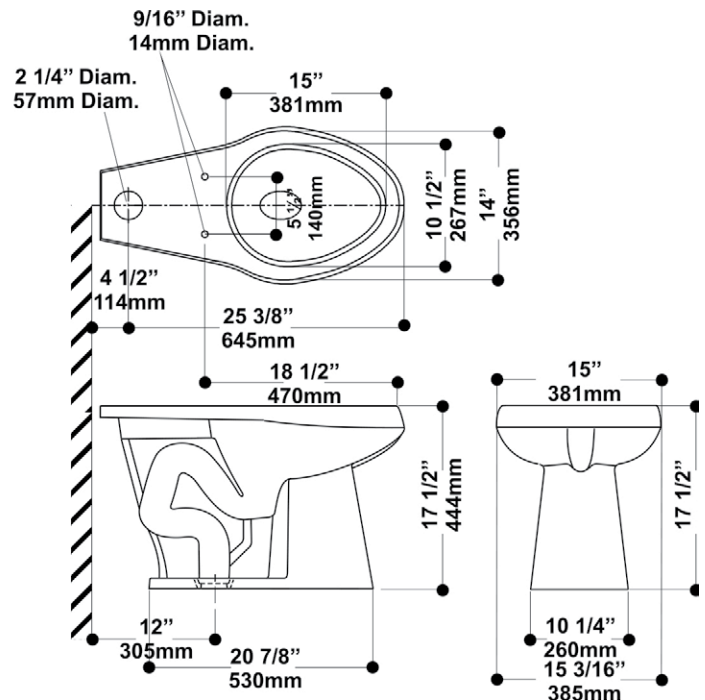
- HET - High Efficiency Toilet
- 2" glazed trapway passes a 1-7/8" ball which results in smooth discharges without clogging after each flush.
- MaP rating Middle Range
- Low profile toilet height of 29-5/8" ideal for retrofit applications.
- Elongated front bowl for comfortable use and improved hygiene.
- Rim Height 18-3/8".
- 12" Rough in.
- 100% Factory flush tested.
- Vitreous china for easy cleaning.
- Easy installation.
- 2 bolt cap covers.
- Limited 5 year warranty on vitreous china and one year warranty on tank fittings.

**Colors Available:** White, Biscuit and Bone

**Recommended Seats:** Bemis 170AR (closed front, with cover)  
 Bemis 1955C (open front, less cover)

**Model Number:** 616 Bowl

**Nominal Dimensions:** 25-3/8" x 15-3/16" x 17-1/2"



**Notes:**

- This toilet is designed for a 12" (305 mm) rough installation.
- All fixture dimensions shown are nominal and may vary within industry accepted tolerances established BYASME / CSA Standard.
- Fixture only, seat, cover, and wax ring not included.
- Information and measurements shown are subject to changes Or cancellation.
- Peerless Pottery assumes no responsibility or liability for local or state regulations different from federal standards.
- It is the responsibility of the installer to comply with local codes and standards prior to installation of bathroom fixtures.

# Monticello No. 316

1.28 gpf / 4.8 lpf Vitreous China



(866) 457-5785 • (812) 649-9920

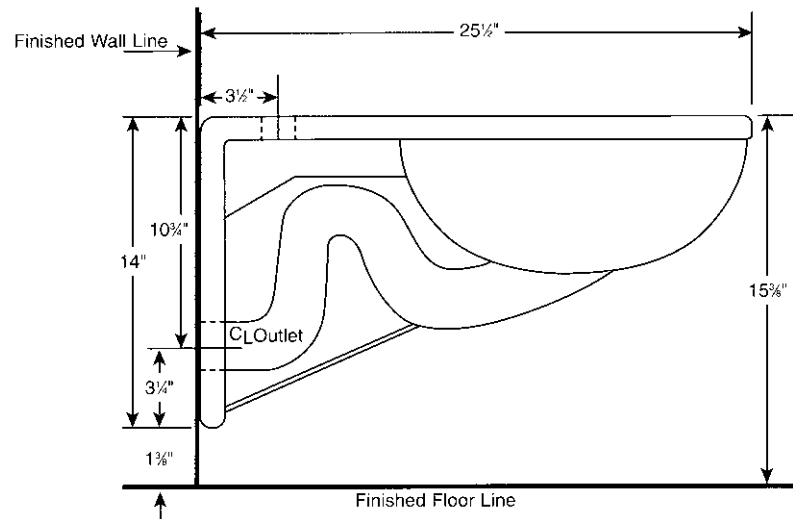
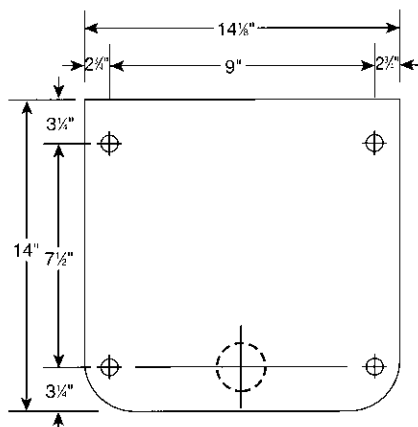
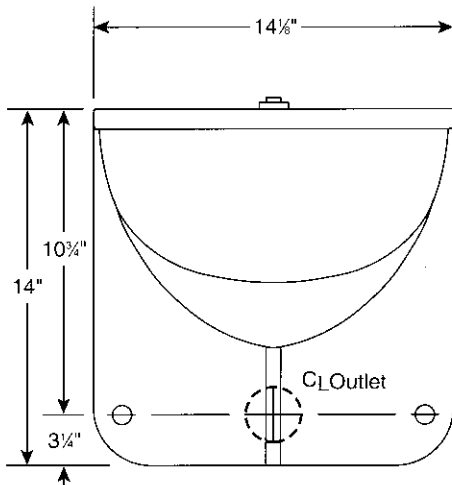
Fax (812) 649-9930

## 316 Elongated Wall Hung Top Spud Bowl

- Elongated, siphon jet top spud
- 1 1/2" Male spud furnished
- Shipped less seat
- Available in white and bone
- Flushometer valve not included
- Product must be used with concealed carrier supplied by another source.
- Approximate weight 85 lbs.
- Limited 5 year warranty on vitreous china and one year warranty on tank fittings.

**Color Available:** White

**Model Number:** 316



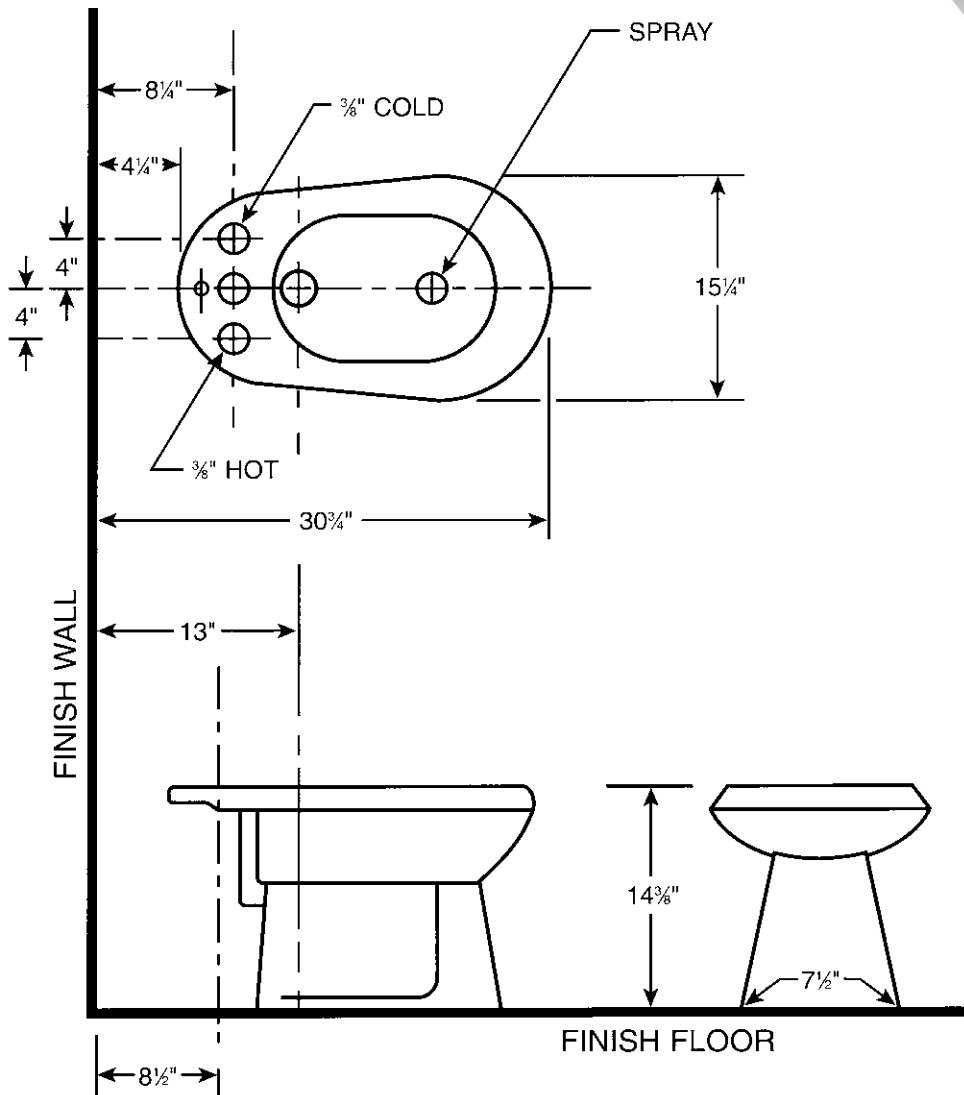
 This product is in compliance with ADA when properly installed.

**400 Bidet**

- Drilled for 8" center faucet with pop up assembly
- Rear overflow
- Stylish design with contoured rim
- Available in white and assorted colors
- Hardware not included
- Approximate weight 45 lbs.
- Limited 5 year warranty on vitreous china.

**Color Available:** White

**Model Numbers:** 400 Bidet



**49 Charleston Lavatory**

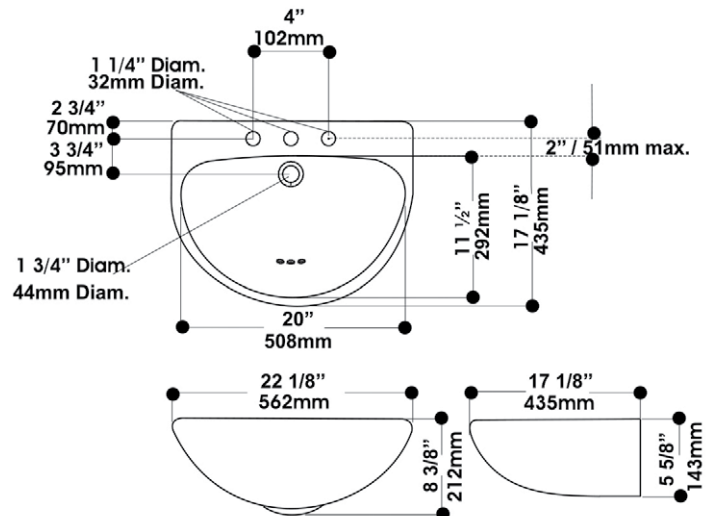
- Wide shelf, allowing room for assorted toiletries.
- Vitreous china for easy cleaning.
- Supplied with mounting kit.
- Easy installation.
- Faucet ledge:
- Faucet holes on 4" (illustrated)
- Faucet holes on 8" (available upon request).
- Faucet center hole only (available upon request).
- Limited 5 year warranty on vitreous china.
- Faucet not included.
- For use with #8 pedestal

**Colors Available:** White and Bone

**Model Numbers:**

- 49 CAC faucet holes on 4".
- 50 CAC faucet holes on 8" (available on request).

**Nominal Dimensions:** 22-1/8" x 17-1/8" x 8-3/8"



**Notes:**

- All fixture dimensions shown are nominal and may vary within industry accepted tolerances established by ASME / CSA standard.
- Fixture only, faucet and pipe not included.
- Information and measurements shown are subject to changes or cancellation.
- Peerless Pottery assumes no responsibility or liability for local or state regulations different from federal standards.
- It is the responsibility of the installer to comply with local codes and standards prior to installation of bathroom fixtures.



**859, 860 Lavatory**

- Wide shelf, allowing room for assorted toiletries.
- 26" x 20" Pedestal lavatory
- Overall depth 61/4"
- Wall bracket included
- Available in white and color
- Approximate weight 47 lbs.
- Faucet holes on 4" (illustrated)  
Faucet holes on 8" (available upon request).  
Faucet center hole only (available upon request).
- Limited 5 year warranty on vitreous china.
- Faucet not included.
- For use with #8 pedestal

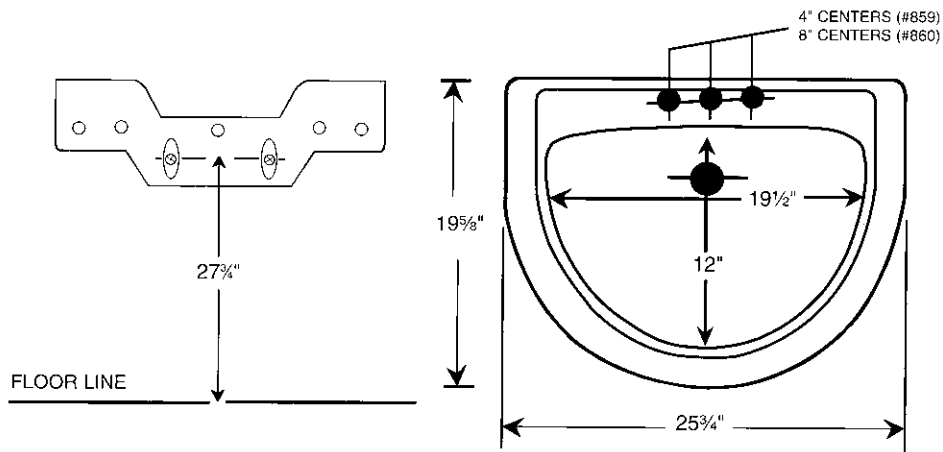
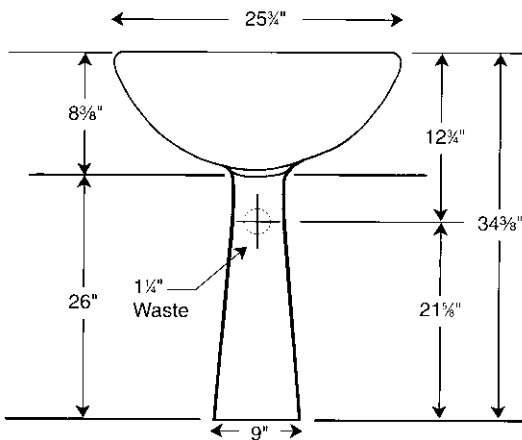
**Colors Available:** White and Bone

**Model Numbers:**

859 (#8 pedestal, #59 lavatory) 4" center drill

860 (#8 pedestal, #60 lavatory) 8" center drill

**Nominal Dimensions:** 26" x 20"



# Dalton No. 29

Vitreous China



(866) 457-5785 • (812) 649-9920

Fax (812) 649-9930

## 29 Dalton Lavatory

- Oval undermount
- Concealed front overflow
- Vitreous china for easy cleaning
- Limited 5 year warranty on vitreous china
- Drain not included.

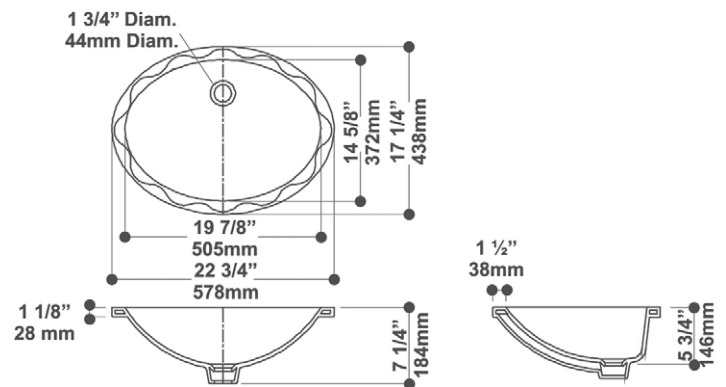
**Colors Available:** White and Bone

**Model Number:** 29

**Nominal Dimensions:** 22-3/4" x 17-1/4" x 7-1/4"



This product is in compliance with ADA when properly installed.



### Notes:

- All fixture dimensions shown are nominal and may vary within industry accepted tolerances established by ASME / CSA standard.
- Fixture only, faucet and pipe not included.
- Information and measurements shown are subject to changes or cancellation.
- Peerless Pottery assumes no responsibility or liability for local or state regulations different from federal standards.
- It is the responsibility of the installer to comply with local codes and standards prior to installation of bathroom fixtures.

### 39 Elegance Lavatory

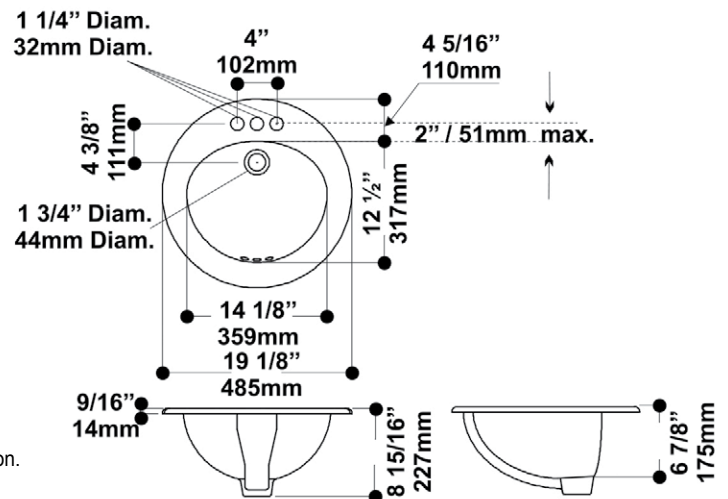
- Concealed front overflow.
- Self rimming.
- Vitreous china for easy cleaning.
- Easy installation.
- Faucet ledge:
  - Faucet holes on 4" (illustrated)
  - Faucet holes on 8" (available upon request).
  - Faucet center hole only (available upon request).
- Limited 5 years warranty - on vitreous china.
- Faucet not included.

**Colors Available:** White and Bone

#### Model Numbers:

- 39 faucet holes on 4".
- 40 faucet holes on 8" (available on request).

**Nominal Dimensions:** 19-1/8" x 19-1/8" x 8-15/16"



#### Notes:

- All fixture dimensions shown are nominal and may vary within industry accepted tolerances established by ASME / CSA standard.
- Fixture only, faucet and pipe not included.
- Information and measurements shown are subject to changes or cancellation.
- Peerless Pottery assumes no responsibility or liability for local or state regulations different from federal standards.
- It is the responsibility of the installer to comply with local codes and standards prior to installation of bathroom fixtures.

# Tiffany No. 79, 80

Vitreous China



(866) 457-5785 • (812) 649-9920

Fax (812) 649-9930

## 79 Tiffany Lavatory

- Concealed front overflow.
- Self rimming.
- Vitreous china for easy cleaning.
- Easy installation.
- Faucet ledge:
  - Faucet holes on 4"
  - Faucet holes on 8" (available upon request).
  - Faucet center hole only (available upon request).
- Limited 5 years warranty on vitreous china.
- Faucet and drain not included.

**Colors Available:** White and Bone

### Model Numbers:

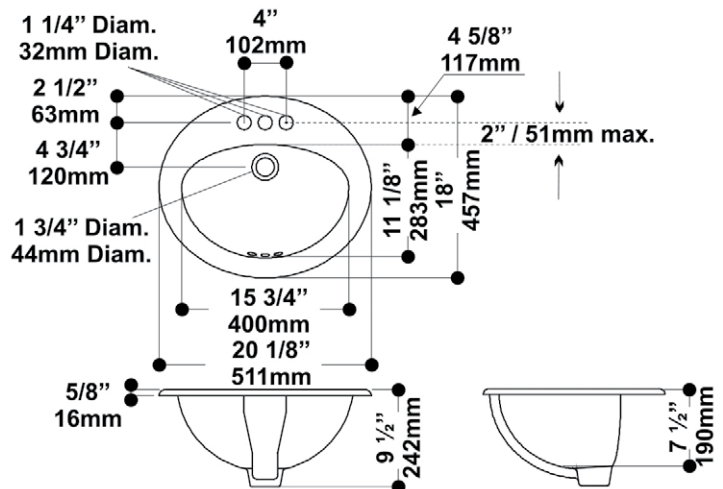
79 faucet holes on 4" center drill.

80 faucet holes on 8" center drill (available on request).

**Nominal Dimensions:** 18" x 20-1/8" x 9-1/2"



This product is in compliance with ADA when properly installed.



### Notes:

- All fixture dimensions shown are nominal and may vary within industry accepted tolerances established by ASME / CSA standard.
- Fixture only, faucet and pipe not included.
- Information and measurements shown are subject to changes or cancellation.
- Peerless Pottery assumes no responsibility or liability for local or state regulations different from federal standards.
- It is the responsibility of the installer to comply with local codes and standards prior to installation of bathroom fixtures.

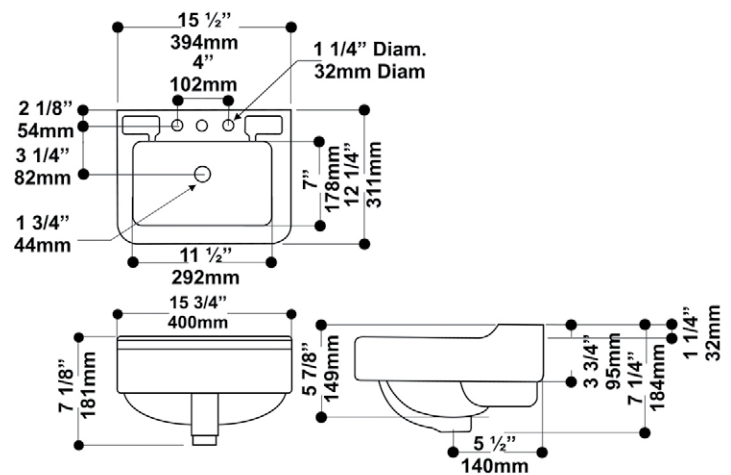
### 14 Camelot Lavatory

- Wide shelf, allowing room for assorted toiletries.
- \* Discrete hidden front overflow.
- \* Vitreous china for easy cleaning.
- \* Supplied with mounting kit.
- \* Easy installation.
- \* Faucet ledge:  
Faucet holes on 4" (illustrated)  
Faucet center hole only available on request.
- \* Limited 5 year warranty on vitreous china.
- \* Faucet and drain not included.

**Colors Available:** White and Bone

**Model Numbers:** 14 (4" center drill)  
14 (single hole drill)

**Nominal Dimensions:** 15-3/4 x 12-1/4" x 7-1/4"



**Notes:**

- All fixture dimensions shown are nominal and may vary within industry accepted tolerances established by ASME / CSA standard.
- Fixture only, faucet and pipe not included.
- Information and measurements shown are subject to changes or cancellation.
- Peerless Pottery assumes no responsibility or liability for local or state regulations different from federal standards.
- It is the responsibility of the installer to comply with local codes and standards prior to installation of bathroom fixtures.

# Spencer No. 30

Vitreous China



(866) 457-5785 • (812) 649-9920

Fax (812) 649-9930

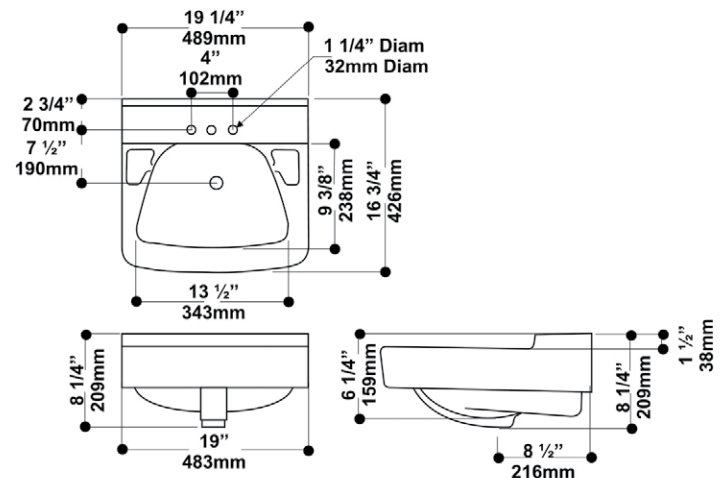
## 30 Spencer Lavatory

- Wide shelf, allowing room for assorted toiletries.
- \* Discrete hidden front overflow.
- \* Vitreous china for easy cleaning.
- \* Supplied with mounting kit.
- \* Easy installation.
- \* Faucet ledge:
  - Faucet holes on 4" (illustrated)
  - Faucet holes on 8" (available upon request)
  - Faucet center hole only available on request.
- \* Limited 5 year warranty on vitreous china.
- \* Faucet and drain not included.

**Colors Available:** White and Bone

**Model Numbers:** 30 (4" center drill)  
30 (single hole drill)

**Nominal Dimensions:** 19-1/4" x 16-3/4" x 8-1/4"



### Notes:

- All fixture dimensions shown are nominal and may vary within industry accepted tolerances established by ASME / CSA standard.
- Fixture only, faucet and pipe not included.
- Information and measurements shown are subject to changes or cancellation.
- Peerless Pottery assumes no responsibility or liability for local or state regulations different from federal standards.
- It is the responsibility of the installer to comply with local codes and standards prior to installation of bathroom fixtures.

**65 Lincoln Lavatory**

- Wide shelf, allowing room for assorted toiletries.
- \* Discrete hidden front overflow.
- \* Vitreous china for easy cleaning.
- \* Supplied with mounting kit.
- \* Easy installation.
- \* Faucet ledge:
  - Faucet holes on 4" (illustrated)
  - Faucet holes on 8" (available upon request)
  - Faucet center hole only available on request.
- \* Limited 5 year warranty on vitreous china.
- \* Faucet and drain not included.

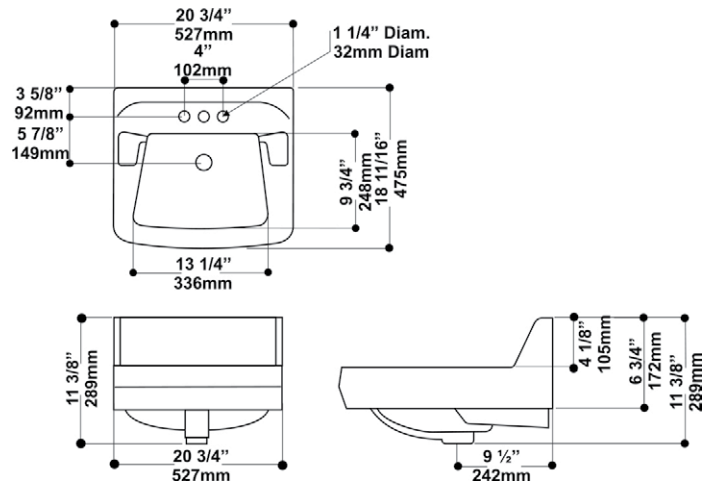
**Colors Available:** White and Bone

**Model Numbers:** 65 (4" center drill)  
 66 (8" center drill)  
 65 (CAC 4" center drill)  
 66 (CAC 8" center drill)

**Nominal Dimensions:** 20-3/4 x 18-11/16" x 11-3/8"



 This product is in compliance with ADA when properly installed.



**Notes:**

- All fixture dimensions shown are nominal and may vary within industry accepted tolerances established by ASME / CSA standard.
- Fixture only, faucet and pipe not included.
- Information and measurements shown are subject to changes or cancellation.
- Peerless Pottery assumes no responsibility or liability for local or state regulations different from federal standards.
- It is the responsibility of the installer to comply with local codes and standards prior to installation of bathroom fixtures.

# Roosevelt No. 45, 46

Vitreous China



## 45 Roosevelt Lavatory

- Wide shelf, allowing room for assorted toiletries.
- \* Discrete hidden front overflow.
- \* Vitreous china for easy cleaning.
- \* Supplied with mounting kit.
- \* Easy installation.
- \* Faucet ledge:
  - Faucet holes on 4" (illustrated)
  - Faucet holes on 8" (available upon request)
  - Faucet center hole only available on request.
- \* Limited 5 year warranty on vitreous china.
- \* Faucet and drain not included.

**Colors Available:** White and Bone

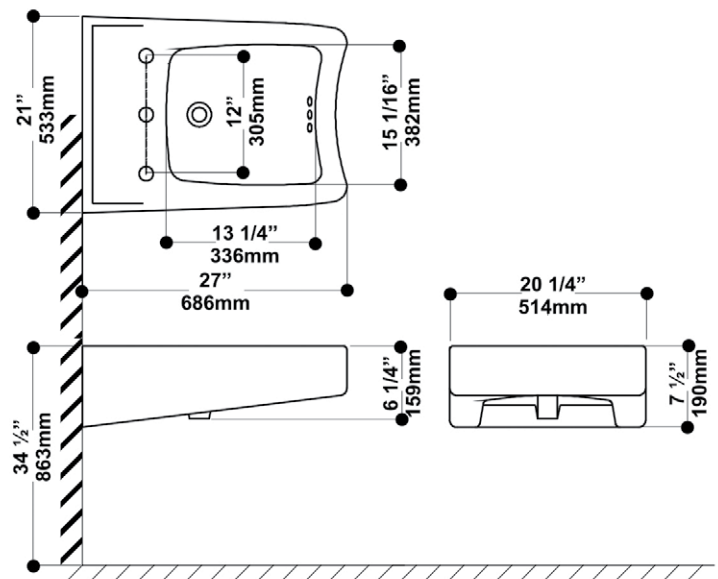
### Model Numbers:

- 45 faucet holes on 4".
- 46 faucet holes on 8" (available on request).

**Nominal Dimensions:** 21" x 27" x 7-1/2"



This product is in compliance with ADA when properly installed.



### Notes:

- All fixture dimensions shown are nominal and may vary within industry accepted tolerances established by ASME / CSA standard.
- Fixture only, faucet and pipe not included.
- Information and measurements shown are subject to changes or cancellation.
- Peerless Pottery assumes no responsibility or liability for local or state regulations different from federal standards.
- It is the responsibility of the installer to comply with local codes and standards prior to installation of bathroom fixtures.



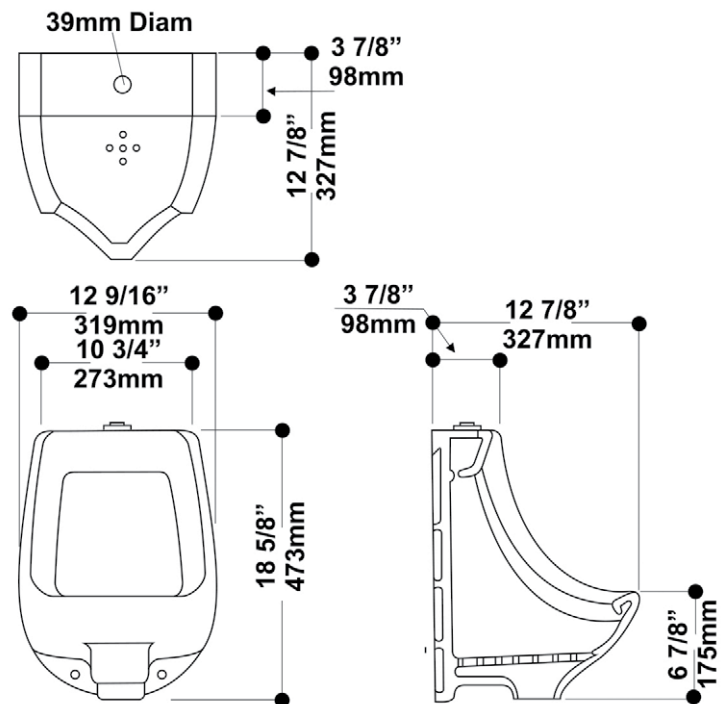
**83 Champion Urinal**

- High Efficiency Urinal.
- Uses 87% less water than conventional urinals at 1.0 gpf.
- This urinal is designed for heavy commercial and industrial usage.
- Uses a combination of both jet and rim flush action, ensuring thorough water exchange with only 0.125 gallon of water.
- Fully glazed trapway.
- Washout flush action.
- Extended size for privacy.
- 3/4" Top spud furnished
- Meets ASME flush requirements at 0.125 gpf
- Vitreous china for easy cleaning.
- ADA Approved.
- Easy installation.
- Limited 5 years warranty on vitreous china.
- 100% Factory flush tested.
- Flushometer valve not included.

**Color Available:** White

**Model Numbers:** 83

**Nominal Dimensions:** 19-1/8" x 19-1/8" x 8-15/16"



**Notes:**

- All fixture dimensions shown are nominal and may vary within industry accepted tolerances established by ASME / CSA standard.
- Information and measurements shown are subject to changes or cancellation.
- Peerless Pottery assumes no responsibility or liability for local or state regulations different from federal standards.
- It is the responsibility of the installer to comply with local codes and standards prior to installation of bathroom fixtures.

# Gibson No. 85

Vitreous China



(866) 457-5785 • (812) 649-9920

Fax (812) 649-9930

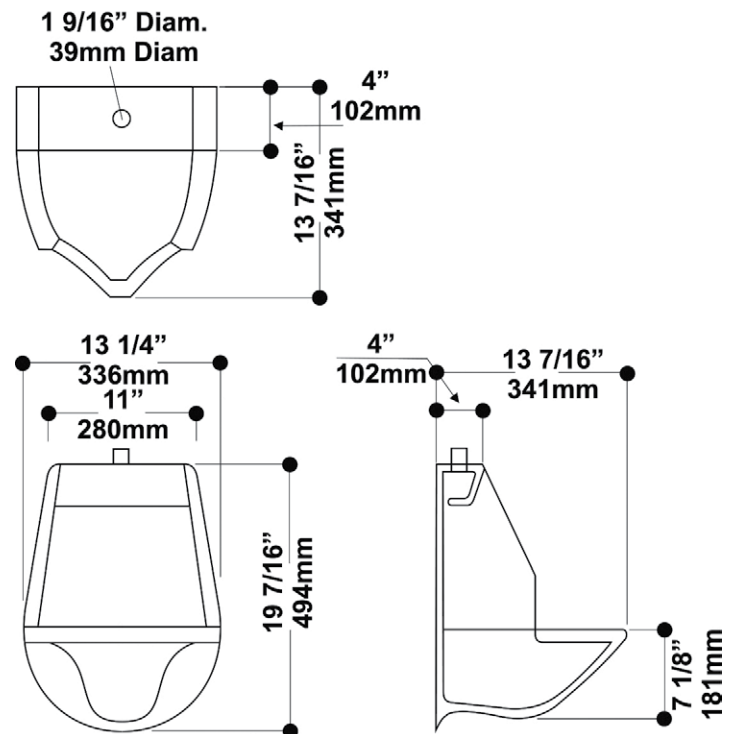
## 85 Gibson Urinal

- High Efficiency Urinal.
- Uses 87% less water than conventional urinals at 1.0 gpf.
- This Urinal is designed for heavy commercial and industrial usage.
- This urinal uses a combination of both jet and rim flush action, ensuring thorough water exchange with only 0.125 gallon of water.
- Fully glazed trapway.
- Washout flush action.
- Extended side for privacy.
- 3/4" Top spud furnished
- Meets ASME flush requirements at 0.125 gpf
- Vitreous china for easy cleaning.
- ADA Approved.
- Easy installation.
- Limited 5 years warranty - on vitreous china.
- 100% Factory flush tested.
- Flushometer valve not included.

**Color Available:** White

**Model Number:** 85

**Nominal Dimensions:** 13-7/16" x 13-1/4" x 19-7/16"



### Notes:

- All fixture dimensions shown are nominal and may vary within industry accepted tolerances established by ASME / CSA standard.
- Fixture only, faucet and pipe not included.
- Information and measurements shown are subject to changes or cancellation.
- Peerless Pottery assumes no responsibility or liability for local or state regulations different from federal standards.
- It is the responsibility of the installer to comply with local codes and standards prior to installation of bathroom fixtures.

**88 Porter Urinal**

- High Efficiency Urinal.
- Uses 87% less water than conventional urinals at 1.0 gpf.
- This urinal is designed for heavy commercial and industrial usage.
- This full size urinal uses a combination of both jet and rim flush action, ensuring thorough water exchange with only 0.125 gallon of water.
- Fully glazed trap way.
- Washout flush action.
- Extended side for privacy.
- 3/4" top spud furnished
- Meets ASME flush requirements at 0.125 gpf
- Vitreous china for easy cleaning.
- ADA Approved.
- Easy installation.
- Limited 5 year warranty on vitreous china.
- 100% Factory flush tested.
- Flushometer valve not included.

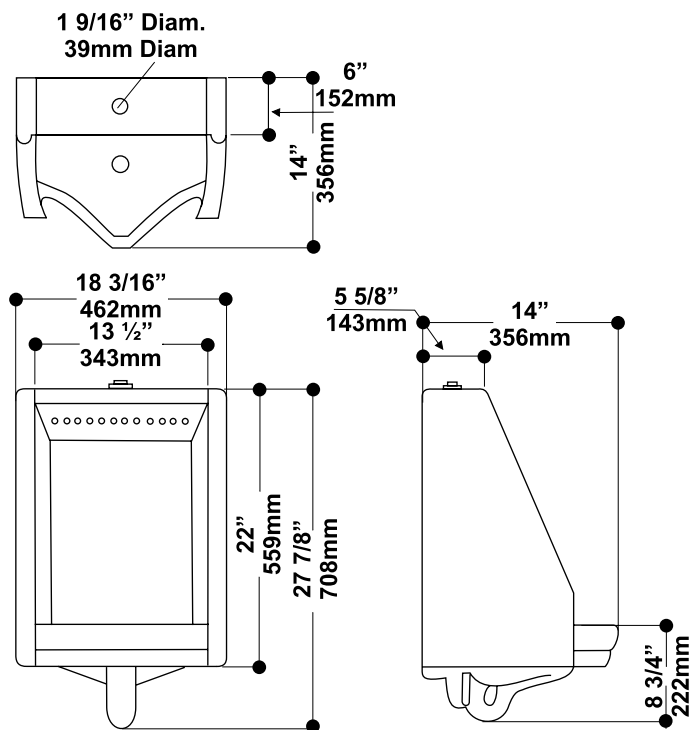
**Color Available:** White

**Model Number:** 88

**Nominal Dimensions:** 14" x 18-3/16" x 27-7/8"



This product is in compliance with ADA when properly installed.



**Notes:**

- All fixture dimensions shown are nominal and may vary within industry accepted tolerances established by ASME / CSA standard.
- Fixture only, faucet and pipe not included.
- Information and measurements shown are subject to changes or cancellation.
- Peerless Pottery assumes no responsibility or liability for local or state regulations different from federal standards.
- It is the responsibility of the installer to comply with local codes and standards prior to installation of bathroom fixtures.

## QUICK REFERENCE GUIDE

<u>Toilets</u>		<u>Description</u>	<u>Rough In</u>	<u>Available Colors</u>	<u>Weight</u>	<u>Page</u>
7160	1.6 GPF	Round Front Closet Combination	12"	All	76#	5
9160	1.6 GPF	Round Front Closet Combination	10"	White, Bone, & Biscuit	72#	5
2160	1.6 GPF	Round Front Closet Combination	14"	White, Bone, & Biscuit	79#	5
7161	1.6 GPF	Round Front Closet Combination	10"	White, Bone, & Biscuit	76#	5
7164	1.6 GPF	Round Front Closet Combination	14"	White, Bone, & Biscuit	79#	5
7660	1.6 GPF	Elongated Front Closet Combination	12"	All	80#	6
9660	1.6 GPF	Elongated Front Closet Combination	10"	White, Bone, & Biscuit	77#	6
2660	1.6 GPF	Elongated Front Closet Combination	14"	White, Bone, & Biscuit	83#	6
7668	1.6 GPF	Elongated ADA Closet Combination	12"	White, Bone, & Biscuit	87#	7
9668	1.6 GPF	Elongated ADA Closet Combination	10"	White, Bone, & Biscuit	84#	7
2668	1.6 GPF	Elongated ADA Closet Combination	14"	White, Bone, & Biscuit	90#	7
42510	1.6 GPF	Round Front Closet Combination	12"	White, Bone, & Biscuit	76#	8
41510	1.6 GPF	Round Front Closet Combination	10"	White, Bone, & Biscuit	76#	8
44510	1.6 GPF	Round Front Closet Combination	14"	White, Bone, & Biscuit	79#	8
42560	1.6 GPF	Elongated Front Closet Combination	12"	White, Bone, & Biscuit	80#	9
41560	1.6 GPF	Elongated Front Closet Combination	10"	White, Bone, & Biscuit	76#	9
44560	1.6 GPF	Elongated Front Closet Combination	14"	White, Bone, & Biscuit	87#	9
10670	1.6 GPF	Elongated ADA Closet Combination	12"	White, Bone, & Biscuit	87#	17
4160	1.6 GPF	Round Front Closet Combination	12"	White, Bone, & Biscuit	76#	10
4660	1.6 GPF	Elongated Front Closet Combination	12"	White, Bone, & Biscuit	80#	11
4510	1.6 GPF	Round Front Closet Combination	12"	White, Bone, & Biscuit	76#	not shown
4560	1.6 GPF	Elongated Front Closet Combination	12"	White, Bone, & Biscuit	80#	not shown
22	1.6 GPF	Elongated One Piece Toilet	12"	White, Bone, & Biscuit	100#	15
23	1.6/1.1 GPF	Elongated One Piece Toilet	12"	White, Bone, & Biscuit	100#	15
24	1.6 GPF	Elongated One Piece Toilet	12"	White, Bone, & Biscuit	102#	16
1606	1.0 GPF	Elongated Pressure Assisted Toilet	12"	White, Bone, & Biscuit	90#	13
1608	1.0 GPF	Elongated ADA Pressure Assisted Toilet	12"	White, Bone, & Biscuit	97#	14
7160JB	1.6 GPF	Round Front Toilet Set	12"	White & Bone only	82#	12
7660JB	1.6 GPF	Elongated Toilet Set	12"	White & Bone only	86#	12
7668JB	1.6 GPF	Elongated ADA Toilet Set	12"	White & Bone only	93#	12
42510JB	1.6 GPF	Round Toilet Set	12"	White & Bone only	82#	12
42560JB	1.6 GPF	Elongated Toilet Set	12"	White & Bone only	86#	12
3162JB	1.28 GPF	Round Toilet Set	12"	White, Bone & Biscuit	82#	12
3662JB	1.28 GPF	Elongated Toilet Set	12"	White, Bone & Biscuit	86#	12
11678JB	1.28 GPF	Elongated ADA Toilet Set	12"	White, Bone & Biscuit	93#	12
10670JB	1.6 GPF	Elongated ADA Toilet Set	12"	White, Bone & Biscuit	87#	12
8320	1.6 GPF	Bambino Toilet Set	12"	White Only	65#	18
116	1.6 GPF	Back Inlet Bowl	10,12,14	White and Bone only	42#	19
216	1.6 GPF	Elongated Top Spud Bowl	10"	White and Bone only	44#	20
616	1.6 GPF	Elongated ADA Top Spud Bowl	10"	White and Bone only	51#	21
316	1.6 GPF	Elongated Wall Hung Bowl	n/a	White and Bone only	85#	22

**Urinals**

83	1.0 GPF Wall Hung Urinal		White only	29#	33
85	1.0 GPF Wall Hung Urinal ADA		White only	33#	34
88	1.0 GPF Wall Hung Urinal ADA		White and Bone only	61#	35

**Bidet**

400	Vitreous China Bidet	8"	All	45#	23
-----	----------------------	----	-----	-----	----

[Return To Index Page](#)

# Pallet Chart & Shipping Policy

For your convenience in figuring percentage of truckload required for your order, we have prepared a Pallet Chart to assist you in determining the quantity of material required for a Pool Truck or Truckload. These figures are approximate, and inclusion of complete order is not guaranteed in pool trucks. Please indicate where we may add or delete. Where ninety percent of material is delivered, we will not assume expense of filling back orders.

## Consolidated Shipments

Consolidated shipments whether truckloads, or pool loads:

1. Full freight allowed on minimum truckloads.
2. Prepaid pool truckloads are arranged on orders of one third truckload (16 pallets) or more provided total orders from the area are sufficient to fill trailer.

## Maximum Truckload will require 52 pallets

Any questions regarding loads will be answered either by the Factory Correspondent or the Manufacturer's Representative serving your account.  
Freight terms are subject to change without notice.

---

All Tanks	30 per pallet
All Bowls	18 per pallet
One Piece Toilets	7 per top pallet, 10 per bottom pallet
# 14 Lavs	40 per pallet
# 30 Lavs	20 per pallet
#39/40 Lavs	24 per pallet
#79/80 Lavs	24 per pallet
#65/66 Lavs	16 per pallet
49/50 Lavs	18 per pallet
59/60 Lavs	18 per pallet
# 8 Pedestals	30 per pallet
849/850 Pedestal Lav Sets	16 per pallet
859/860 Pedestal Lav Sets	14 per pallet
45 Lavs	16 per pallet
83 & 85 Urinals	21 per pallet
88 Urinals	9 per pallet
Bidets	9 per pallet
7160JB/42510JB/7660JB/42560JB	7 per top pallet, 10 per bottom pallet
7668JB	5 per top pallet, 10 per bottom pallet
8320 Bambino Toilets	10 per pallet

All Peerless Pottery products meet or exceed federal specifications:

- ASME A112.19.2/CSA B45.1
- IAPMO - UPC

## “HYDRO MISER” 1.6 ULF PERFORMANCE RESULTS

### ANSI A112.19.6 Test Results

TEST		TEST METHOD	ANSI PERFORMANCE REQUIREMENT	“HYDRO MISER” TEST RESULTS
Ball Test	ANSI 7.1.3.1	Flush 100 Balls per Flush	Flush an average of 75 balls per flush	Exceeded ANSI Standard
Granule Test	ANSI 7.1.3.2	Flush 2,500 Granules per Flush	No more than 125 granules remaining in bowl	Exceeded ANSI Standard
Ink Test	ANSI 7.1.4.1	Cleanse Ink Line	Total length of the ink line segments shall not exceed 2" and no individual segment longer than .5"	Exceeded ANSI Standard
Dye Test	ANSI 7.1.5.1	Flush Dye Out of Bowl	Dilution ratio shall be 100 to 1 of water to dye	Exceeded ANSI Standard
Drain Line Carry Test	ANSI 7.1.8	Flush 100 3/4" Balls to Flow Through the Drain Line	The average carry distance per ball shall be 40 feet or greater	Exceeded ANSI Standard

### LIMITED MANUFACTURER'S WARRANTY

If, within one year following date of delivery, any materials supplied by us prove defective, or fails to meet the agreed specifications, buyer shall not return it unless requested to do so, but shall immediately notify us, stating full particulars in support of his claim. If faulty workmanship or material is involved, we will adjust the matter fairly and promptly. Under no circumstances shall we be obliged to allow claims for consequential damages or, for any labor or other expense incurred by reason of the use or sale of any defective material the sole measure of damage being the price received therefor by us. We reserve the right to change design, color, model and to discontinue manufacture of any item.

## NOTES

**IMPORTANT NOTICE**  
**Read before installing your**  
**Peerless Pottery® product**

All Peerless Pottery® products are packaged in good conditions, so this Warranty does not apply to breakage nor poor performance due to modifications or alterations on the original product configuration.

In case of encountering any problem, please notify the distributor where you purchased this product, before installation.

**LIMITED WARRANTY**

Peerless Pottery Sales Inc., warrants this Peerless Pottery® product to be free of any physical defects for a period of three (3) years from the date of purchase.

Fill and flush valves installed in Peerless Pottery® products have a warranty for performance failure for a period of one year from the date of purchase.

In case of product failure, Peerless Pottery Sales Inc. at its own election, will repair or replace the product, once our personnel has inspected and verified said failure. Peerless Pottery® will not be responsible for inspection, transportation, removal or installation costs and disclaim any liability for special, incidental or consequential damages caused by a defect, repair or product replacement.

To apply for warranty protection, this Peerless Pottery® product must be installed per installation instructions and receive appropriate care and maintenance. Use of in-tank toilet cleaners will void the warranty.

Some states /provinces do not allow limitations on how long and implied warranty lasts, or the exclusion or limitation of special, incidental or consequential damages, so these limitations and exclusions may not apply to you. This warranty gives you specific legal rights. You may have other rights which vary from state /province to state / province.

It will be necessary to fill out the warranty registration format and retain the proof of purchase. To obtain service on this warranty, please file claim to original distributor or contact Peerless Pottery Sales Inc.

**REMARQUE IMPORTANTE**  
**A lire avant d'installer votre produit**  
**Peerless Pottery®**

Tout les produits Peerless Pottery® sont en bon état et emballés au sein de notre usine, raison pour laquelle la Garantie ne couvre pas les cassures ni le mauvais fonctionnement dérivés des altérations ou des modifications dans la configuration d'usine.

Si vous rencontrez une anomalie, contactez le Distributeur de votre produit avant son installation.

**GARANTIE LIMITÉE**

Peerless Pottery Sales Inc., Garantie ce produit Peerless Pottery® de défauts physiques pour une période de 3 ans à compter de la date d'achat présente sur votre facture.

Les soupapes d'admission et d'échappement installées dans les produits Peerless Pottery®, ont une garantie contre les pannes d'un an à compter de la date d'achat présente sur votre facture.

En cas de panne Peerless Pottery Sales Inc. choisira, soit de réparer le produit, soit de le remplacer par un produit similaire après le diagnostic et contre-expertises réalisé par notre personnel qualifié ; ne prendra pas en charge les frais liés à l'inspection, l'installation ou l'enlèvement du produit.

L'entreprise ne est pas responsable pour les frais d'inspection, le transport, l'installation et le retrait, ne sera pas responsable de tout dommage consécutif ou causés par une réparation de défaut ou de remplacer le produit.

Pour que la garantie du produit Peerless Pottery® soit valide, il devra être installé et recevoir la maintenance adéquate comme indiqué dans le manuel. L'utilisation de pastilles de nettoyage du réservoir d'invalider la garantie.

De même, il est nécessaire de compléter et de signer le Registre de Garantie lors de votre achat qui sera lui-même tamponné par le distributeur. N'oubliez pas de conserver la facture originale. Afin d'obtenir le service de garantie, vous devez présenter par écrit votre réclamation au Distributeur qui vous a vendu le produit puis à Peerless Pottery Sales Inc.

**NOTA IMPORTANTE**  
**Léase antes de instalar su producto**  
**Peerless Pottery®**

Todos los productos Peerless Pottery® son empacados en planta en buenas condiciones, por lo cual la presente Garantía no cubre roturas ni mal funcionamiento derivado de alteraciones o modificaciones en la configuración original del producto.

En caso de encontrar alguna anomalía, favor de notificarla al Distribuidor al que se compró el producto, antes de su instalación.

**GARANTÍA LIMITADA**

Peerless Pottery Sales Inc., Garantiza éste producto Peerless Pottery®, de no tener defectos físicos por el término de tres años contados a partir de la fecha señalada en la factura de compra.

Las válvulas de admisión y de descarga instaladas en los productos Peerless Pottery®, tienen una garantía contra fallas de funcionamiento por el término de un año contado a partir de la fecha señalada en la factura de compra.

En caso de mal funcionamiento Peerless Pottery Sales Inc., a su elección, reparará o reemplazará el producto, previa inspección y comprobación de la falla por parte de nuestro personal calificado. No será responsable por costos de inspección, transportación, instalación y/o remoción, ni será responsable de cualquier otro daño consecuencial ni incidental causado por un defecto, reparación o cambio del producto.

Para que la presente garantía sea válida, éste producto Peerless Pottery®, deberá ser instalado de acuerdo con el instructivo de instalación correspondiente y recibir el mantenimiento adecuado conforme al instructivo. **El uso de pastillas limpiadoras en el tanque invalida la presente garantía.**

Así mismo, es necesario completar el Registro de Garantía que se adjunta debidamente firmado, sellado por el distribuidor y tener la factura original. Para obtener servicio en relación con la presente Garantía, deberá presentarse por escrito la reclamación correspondiente al Distribuidor que vendió el producto y posteriormente a Peerless Pottery Sales Inc.

(866) 457-5785 • (812) 649-9920  
Fax (812) 649-9930  
PeerlessPottery@gmail.com  
www.PeerlessPottery.com



January, 2015 #64565

[Return To Index Page](#)