

SPECIFICATION & FEATURES

DESCRIPTION:

Orbit Industries' 2-1/2" Deep Gangable Switch Boxes are used in the installation of switches. Orbit Industries includes a variety of gangable switch boxes with non-metallic cable clamps, metal clad cable clamps, and old work tigergrrips. The wide tigergrip design is a non-gangable, wide old-work switch box for easy installation of GFCI or other large devices. Use with a Midi or Oversized switch plate.

CERTIFICATION:

UL file E227970, conforms to UL514A.

FEATURES

Knockout:

50: 1/2" K.O.; **Loom:** Loom Pryouts; **MKO:** Moon K.O. (1/2" and 3/4" K.O.)

Bracket:

FB: (L: 7-1/4", W: 3/4") Offset (9/16") Mounts on flat side of stud or joist

B: (L: 3", W: 2") Offset (9/16") Face mounts on front edge of wood stud

Clamp:

BX/MC :Accommodates Metal Clad Cables from size #14-2 to #10-4. All MC series boxes are suitable for use with MCAP™-Aluminum (MCAP is a trademark of Southwire Company)

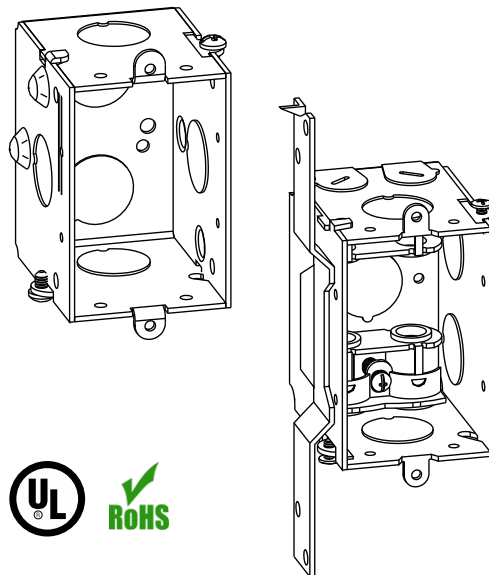
NM: Accommodates #14-2 to #10-3 Non-Metallic Cables with ground

TGW Features:

Non-gangable wide old-work switch box for easy installation of GFCI or other large devices

Use with Mid-Size or Jumbo Wallplates

GANGABLE SWITCH BOXES 2-1/2" DEEP



DIMENSIONS

Width: 2"

Height: 3"

Depth: 2-1/2"

Cu.In.: 12.5

(For TGW 2-1/4" W x 3" H, 15.0 Cu.In.)

CONFIGURATION DATA

Catalog No.	Description	Knockouts			Std. Pkg.
		Sides	Ends	Bottom	
GB-1-NE	No Ears, With Leveling Bumps	(2)-1/2"	(2)-1/2"	(2)-1/2"	50
GB-1	Ears Only	(4)-1/2"	(2)-1/2"	(2)-1/2"	50
GB-1-MKO	Ears Only, M.K.O	(2)-1/2"	(2)-MKO	(1)-1/2"	50
GB-1-B	With B Bracket(9/16" Setback)	(2)-1/2"	(2)-1/2"	(2)-1/2"	50
GB-1-FB	With FB Bracket(9/16" Setback)	(2)-1/2"	(2)-1/2"	(2)-1/2"	50
GB-1-OW	For Old Work, With Locking Grips	-	(2)-1/2"	(2)-1/2"	50
GB-1-NM	With NM Cable Clamps	(4)-1/2"	(2)-1/2", (4)-Loom	(1)-1/2"	50
GB-1-NM-B	With NM Cable Clamps & B Bracket	(2)-1/2"	(2)-1/2", (4)-Loom	(1)-1/2"	50
GB-1-NM-FB	With NM Cable Clamps & FB Bracket	(2)-1/2"	(2)-1/2", (4)-Loom	(1)-1/2"	50
GB-1-NM-OW	With NM Cable Clamps, For Old Work, With Locking Grips	-	(2)-1/2", (4)-Loom	(1)-1/2"	50
GB-1-MC	With BX/MC Cable Clamps	(4)-1/2"	(2)-1/2", (4)-Loom	(1)-1/2"	50
GB-1-MC-B	With BX/MC Cable Clamps & B Bracket	(2)-1/2"	(2)-1/2", (4)-Loom	(1)-1/2"	50
GB-1-MC-FB	With BX/MC Cable Clamps & FB Bracket	(2)-1/2"	(2)-1/2", (4)-Loom	(1)-1/2"	50
GB-1-MC-OW	With BX/MC Cable Clamps, For Old Work, With Locking Grips	-	(2)-1/2", (4)-Loom	(1)-1/2"	50
TG-1	Old Work Tigergrip	(4)-1/2"	(2)-1/2"	(2)-1/2"	50
TG-1-NM	Old Work Tigergrip, NM Cable Clamps	(4)-1/2"	(2)-1/2", (4)-Loom	(1)-1/2"	50
TG-1-MC	Old Work Tigergrip, BX/MC Cable Clamps	(4)-1/2"	(2)-1/2", (4)-Loom	(1)-1/2"	50
TGW	Wide Old Work Tigergrip(Non-Gangable), Must be used with Mid-Size or Jumbo Wall Plate	(4)-1/2"	(2)-1/2"	(2)-1/2"	50

