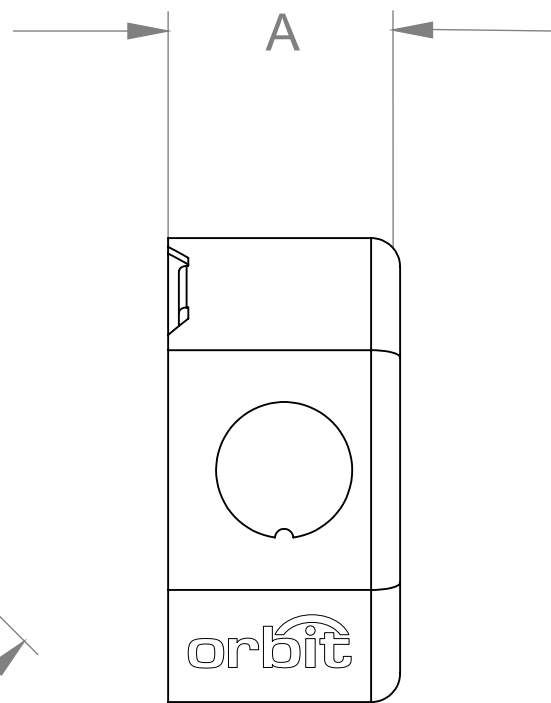


#8-32 TAP
2-Holes

3-1/2"

4"



Part No.	A (in)
D4RB-50	1-1/2
D4RB-50/75	1-1/2
D4RB-75	1-1/2

orbit		Orbit Industries, Inc.	
DISCLAIMER THIS DATA SHEET IS FOR REFERENCE ONLY. ORBIT INDUSTRIES INC RESERVES THE RIGHT TO MAKE CHANGES TO THE DESIGN WITHOUT PRIOR NOTICE		TITLE: 4" OCTAGON (40) BOXES DRAWN	
PROPRIETARY AND CONFIDENTIAL THE INFORMATION CONTAINED IN THIS DRAWING IS THE SOLE PROPERTY OF ORBIT INDUSTRIES INC. ANY REPRODUCTION IN PART OR AS A WHOLE WITHOUT THE WRITTEN PERMISSION OF ORBIT INDUSTRIES INC IS PROHIBITED.		DWG. NO. A002LD	REV A
DO NOT SCALE THE DRAWING			

5

4

3

2

1