



I2K® ICE MAKER BOX TECHNICAL SPECIFICATION

| | |
|----------------------|------------------|
| Job Name _____ | Item # _____ |
| Location _____ | |
| Engineer _____ | Contractor _____ |
| PO # _____ | Tag _____ |
| Representative _____ | |

SPECIFICATIONS

Oatey Ice Maker boxes can be used in commercial or residential applications which require supply valves recessed into the wall.

APPROVALS AND LISTINGS

| | |
|------------------------|--|
| Valves | ASME A112.18.1 / CSA B125.1 NSF / ANSI 61 & 372 |
| Water Hammer Arrestors | ASSE 1010 |
| Boxes | IAPMO-Listed, PS-54 |



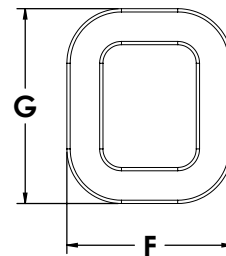
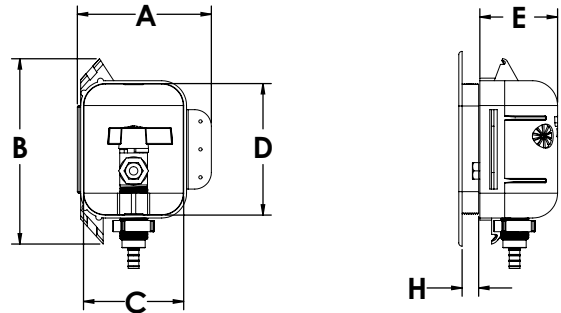
DESCRIPTION

(All dimensions in inches)

- Nails preloaded - no support bracket needed
- Right or left hand installation
- Box made of high impact polystyrene
- Valves comply with requirements of NSF 61, Section 9
- Available with Copper, CPVC, PEX and Push Connect connections
- Snap-on faceplate frame
- US Patent # D 428,117

DIMENSIONS

| | | | | | |
|------|--------------------|-------|------|------------------|-------|
| [A]: | Box Width | 4.05" | [E]: | Box Depth | 2.35" |
| [B]: | Box Height | 5.60" | [F]: | Faceplate Width | 5.00" |
| [C]: | Box Opening Width | 3.03" | [G]: | Faceplate Height | 5.89" |
| [D]: | Box Opening Height | 3.98" | [H]: | Faceplate Depth | 0.50" |



Access BIM/Revit content through www.oatey.com



I2K® ICE MAKER BOX WITH NAILS TECHNICAL SPECIFICATION

PRODUCT SELECTOR

| I2K® ICE MAKER BOX WITH NAILS | | | |
|-------------------------------|----------------|--|----|
| ✓ | Product Number | Description | |
| | 39130 | 12K, ¼ Turn, Copper, Low Lead – Display Pack | 4 |
| | 39132 | I2K, ¼ Turn, F1960, Low Lead – Contractor Pack | 12 |
| | 39133 | ¼ Turn Brass Ball Valve Low Lead- CPVC Standard Pack (6 Per) | 6 |
| | 39134 | ¼ Turn Brass Ball Valve Low Lead – Copper Sweat- Standard Pack (6 Per) | 6 |
| | 39135 | I2K, ¼ Turn, Copper, Low Lead – Contractor Pack | 12 |
| | 39136 | I2K, ¼ Turn, F1807, Low Lead – Standard Pack | 6 |
| | 39137 | I2K, ¼ Turn, CPVC, Low Lead – Contractor Pack | 12 |
| | 39138 | I2K, ¼ Turn, F1807, Low Lead – Contractor Pack | 12 |
| | 39139 | I2K, Boiler Drain, Copper, Low Lead, NAFTA – Standard Pack | 6 |
| | 39125 | I2K, ¼ Turn, Copper, Hammer, Low Lead – Standard Pack | 12 |
| | 39126 | I2K, ¼ Turn, CPVC, Hammer, Low Lead – Standard Pack | 12 |
| | 39127 | I2K, ¼ Turn, F1807, Hammer, Low Lead – Standard Pack | 12 |
| | 39128 | I2K, ¼ Turn, F1960, Hammer, Low Lead – Standard Pack | 12 |
| | 38312 | I2K, ¼ Turn Push Connect, No Hammer – Standard Pack (6 Per) | 6 |
| | 38313 | ¼ Turn, Push Connect, Hammer, Assembled, Standard Pack | 6 |
| | 38320 | I2K, ¼ Turn Pursh Connect, No Hammer – Contractor Pack (12 Per) | 12 |
| | 38332 | ¼ Turn, Viega, No Hammer, Standard Pack | 6 |
| | 38333 | ¼ Turn, Viega, Hammer, Standard Pack | 6 |
| ACCESSORIES | | | |
| | 38622 | Plastic Faceplate, 1" deep, for I2K and S2K | 12 |
| | 38621 | Plastic Faceplate, 1/2" deep, for I2K and S2K | 12 |
| | 38619 | Plain Box- Standard Pack (6 Per) | 6 |

Valves meet ASME A112.18.1

Data is subject to manufacturing tolerances.

Access BIM/Revit content through www.oatey.com