



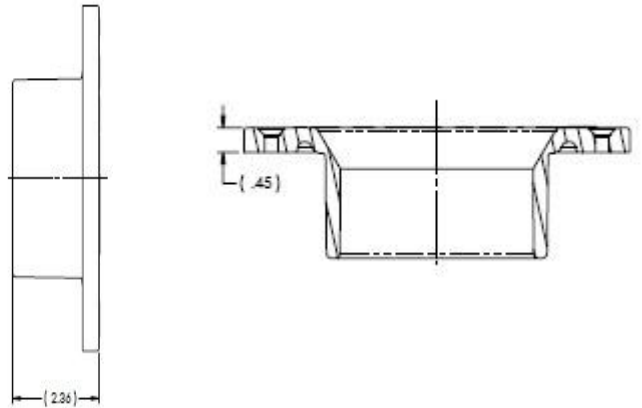
4700 W. 160th St.
Cleveland, OH 44135
PH: 800-321-9532
FX: 800-321-9535
www.oatey.com

TECHNICAL SPECIFICATION

**LEVEL FIT
CLOSET FLANGE**



TECHNICAL SPECIFICATION: Oatey Level Fit Closet Flanges are designed to connect a water closet outlet to a plumbing system and sit flush with the floor. Oatey 3" or 4" Level Fit Closet Flanges solvent weld inside 3" Schedule 40 DWV pipe or over 4" Schedule 40 DWV pipe. 3" Inside Fit Closet Flange solvent welds inside 3" Schedule 40 DWV pipe.



- All dimensions in inches
- Extra thick flange with four mounting slots
- Four countersunk screw holes provide secure attachment to floor
- Flange sits flush on floor
- Available with molded-in test cap

✓	PRODUCT NUMBER	DESCRIPTION	PACK
	43502	3" or 4" ABS Closet Flange w/out Test Cap	12
	43503	3" or 4" PVC Closet Flange w/out Test Cap	12
	43506	3" ABS Inside Fit Closet Flange w/ Test Cap	12
	43507	3" PVC Inside Fit Closet Flange w/ Test Cap	12
	43508	3" ABS Inside Fit Closet Flange w/out Test Cap	12
	43509	3" PVC Inside Fit Closet Flange w/out Test Cap	12
		OVER 4" LEVEL-FIT CLOSET FLANGE	
	43621	Over 4" Closet Flange, PVC w/o test cap	12
	43549	Over 4" Closet Flange, PVC w/test cap	12
	43548	Over 4" Closet Flange, ABS w/o test cap	12
	43531	Over 4" Closet Flange, ABS w/ test cap	12



3" or 4" only

Data is subject to manufacturing tolerances.