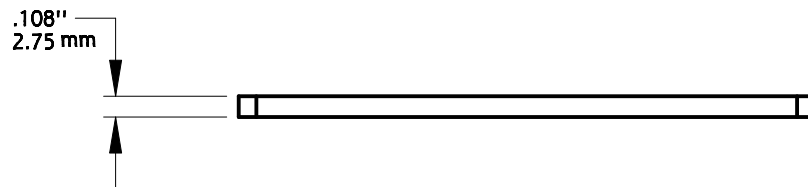
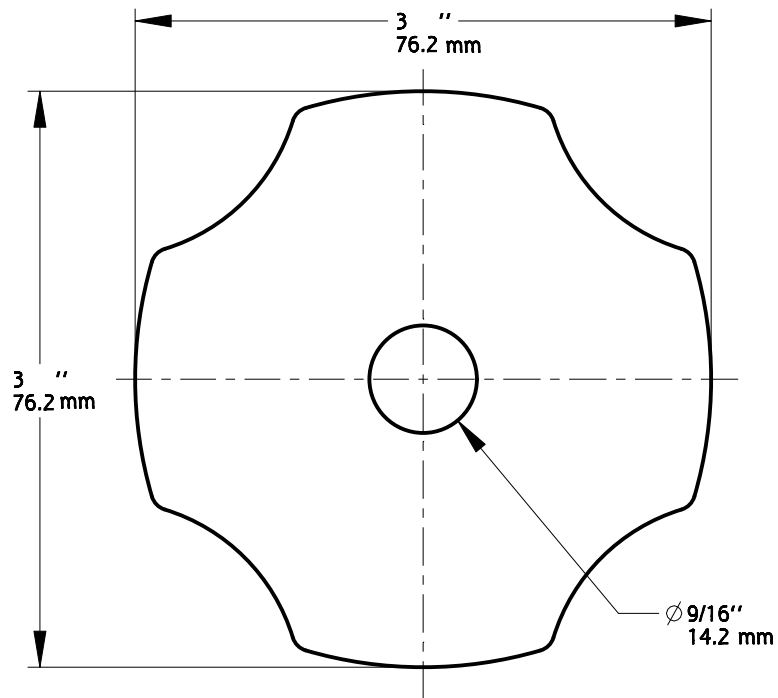




N800-021



Material: Steel
 Finish: E-coat + black powder coat
 Fasteners (not included): N800-123 = 1/2" x 1-1/2" lag or equal

Revision 1	DO NOT SCALE Dimensions are nominal and subject to change.	Family Name 1222BC	SKU N800-021
Date December 2019	©2019 Spectrum Brands, Inc.	Description DECORATIVE WASHER	