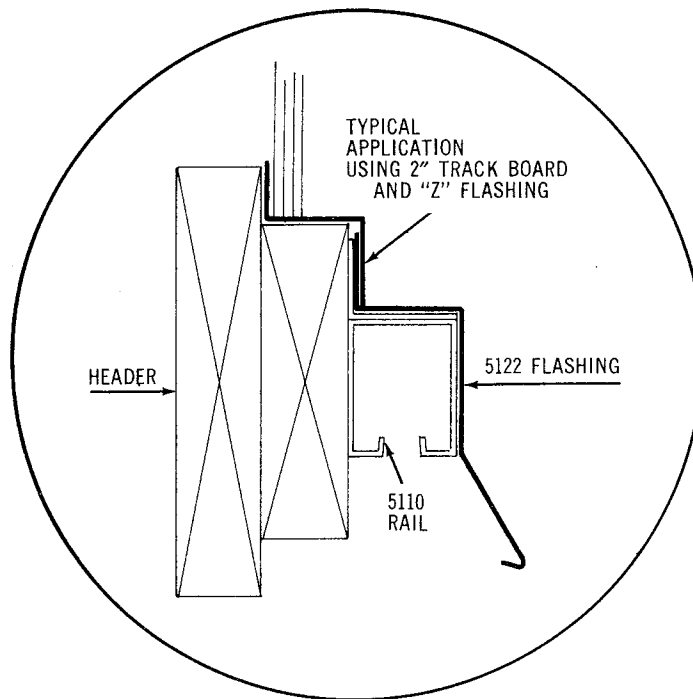
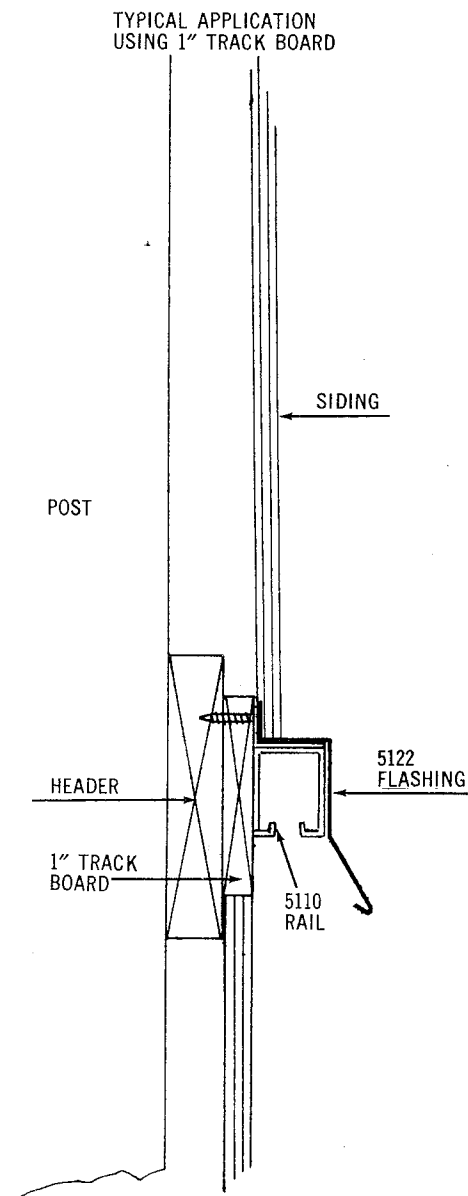


# NO. 5110 EASY-MOUNT™ TROLLEY RAIL WITH NO. 5122 FLASHING



## INSTRUCTIONS FOR INSTALLING

PLEASE READ COMPLETE INSTRUCTIONS BEFORE STARTING

1. Starting on the left, level and install first length of rail to track board using two 6d common nails, one at each end (Figure 1). Add additional lengths by butting together, as illustrated, and nailing as above. All rail must be level.

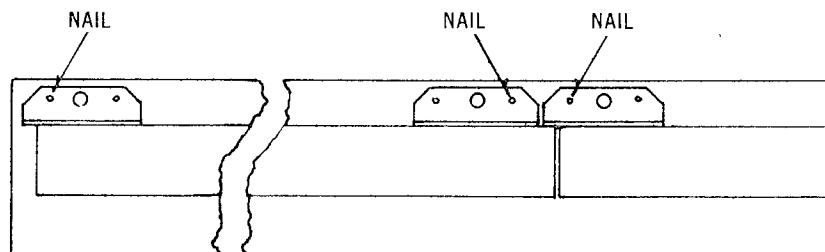
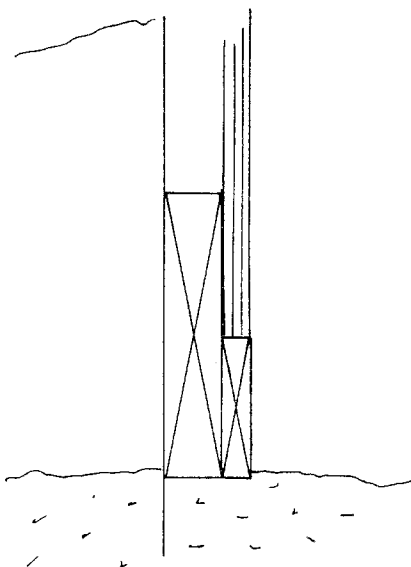
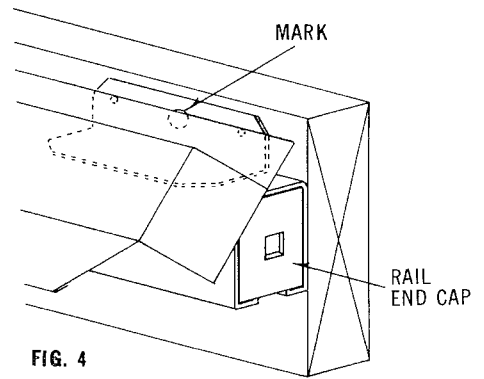
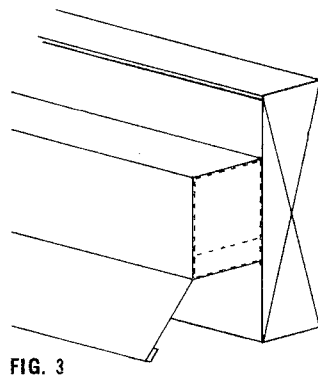
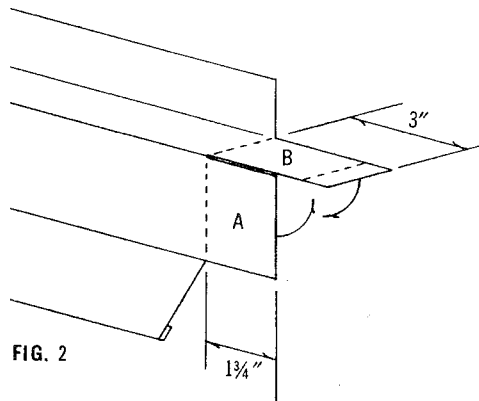


FIG. 1



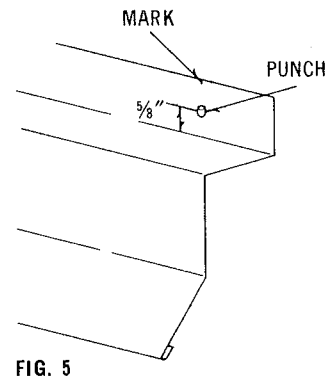
2. Install one rail end cap (packed with trolley hanger) in right-hand end of rail. (See Hanger Instructions.)

3. Form right-hand flashing end cap (Figure 2). Cut as illustrated.
  - a. Fold flap A back.
  - b. Fold flap B down.
  - c. Crimp flap B around A at bottom (Figure 3 shows finished cap).



4. Lay this piece of flashing on right-hand rail and tip up at approximately 60° angle. Mark the flashing at the location of all large holes in mounting brackets (Figure 4).

5. Take down flashing. At locations marked in Figure 4, measure up from back bend of flashing 5/8" and punch hole (Figure 5).



6. Lay flashing on rail and drill 1/4" pilot holes through flashing holes and large rail bracket mounting holes into track board.
7. Install 3/8" x 2" lag screws (included with 1052R and 1053 Trolley Hangers).
8. Mark and install additional flashing by following steps No. 4, 5, 6 and 7. Overlap each piece approximately 2 1/2".
9. Cut last piece of flashing 3" longer than required to cover rail. **Do not** form left-hand flashing end cap until door is hung.
10. Hang door.
11. Install left-hand rail end cap.
12. Form left-hand flashing end cap (Figures 2 and 3).