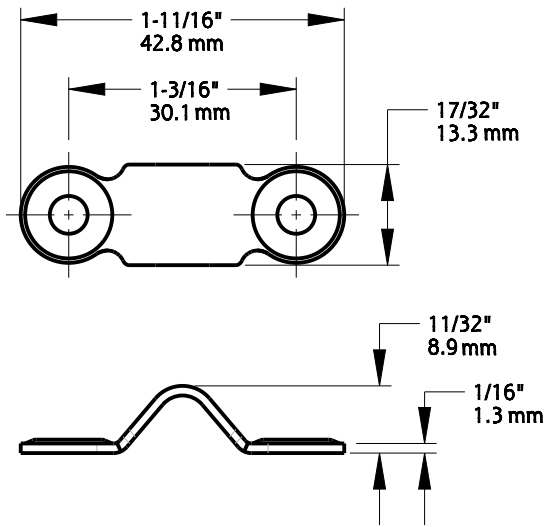


Material: Steel
Fasteners:

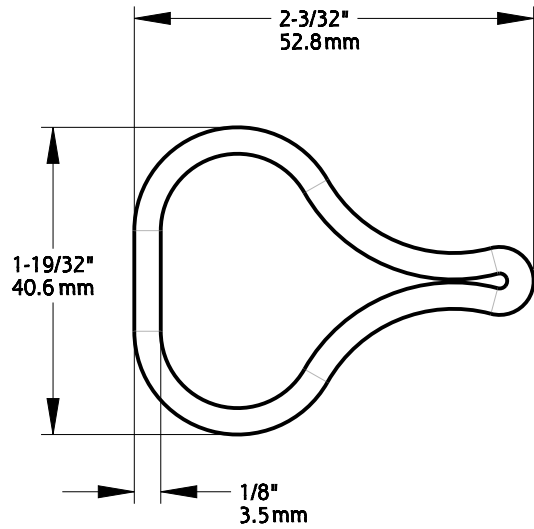
- (4) Tapping screw, Pan Head, #6 x 3/4", Type AB
- (2) Tapping screw, Flat Head, #6 x 3/4", Type AB

SKU	Finish	Family Name
N236-332	Zinc Plated	V1055
N236-334	Zinc Plated	MPB1055

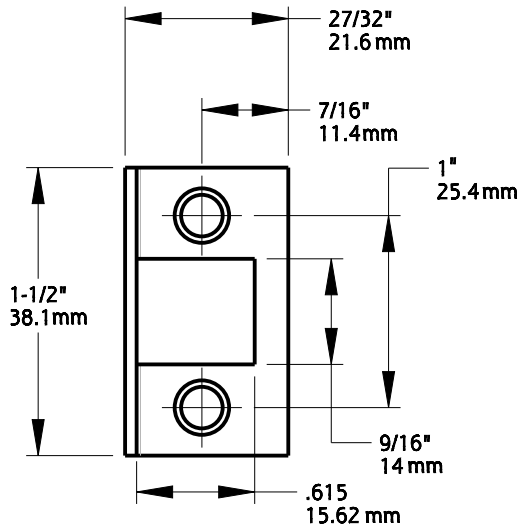
1	DO NOT SCALE	See Table	See Table
Revision	Dimensions are nominal and subject to change. ©2017 Spectrum Brands, Inc.	Family Name	SKU
December 2017		CHAIN BOLT, 3"	
Date		Description	



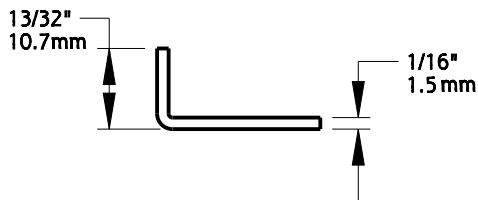
GUIDE



PULL

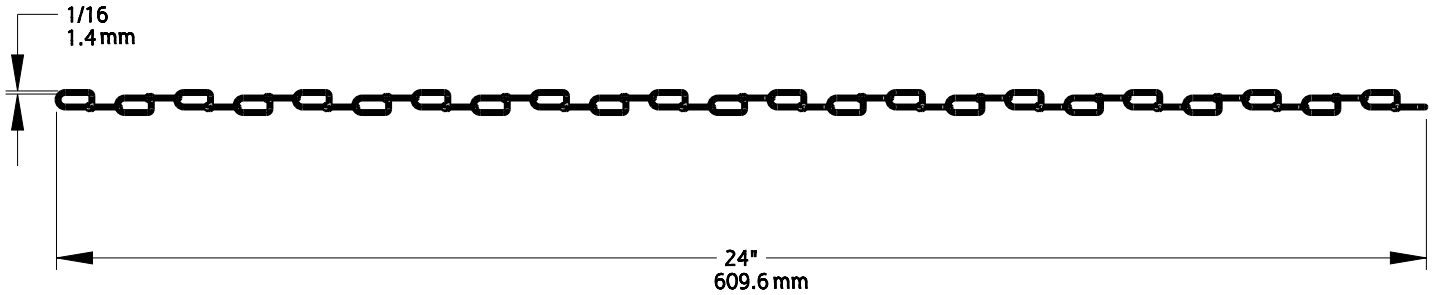


MORTISE STRIKE



Material: Steel
Fasteners:
(2) Tapping screw, Flat Head, #6 x 3/4", Type AB

1	DO NOT SCALE	See Table	See Table
Revision	Dimensions are nominal and subject to change. ©2017 Spectrum Brands, Inc.	Family Name	SKU
December 2017		CHAIN BOLT, 3"	
Date		Description	



CHAIN

Material: Steel

Page 3 of 3

<p>Revision</p> <p style="text-align: right;">1</p>	<p>DO NOT SCALE</p> <p>Dimensions are nominal and subject to change.</p> <p>©2017 Spectrum Brands, Inc.</p>	<p>Family Name</p> <p style="text-align: center;">See Table</p>	<p>SKU</p> <p style="text-align: center;">See Table</p>
<p>Date</p> <p style="text-align: center;">December 2017</p>		<p>Description</p> <p style="text-align: center;">CHAIN BOLT, 3"</p>	