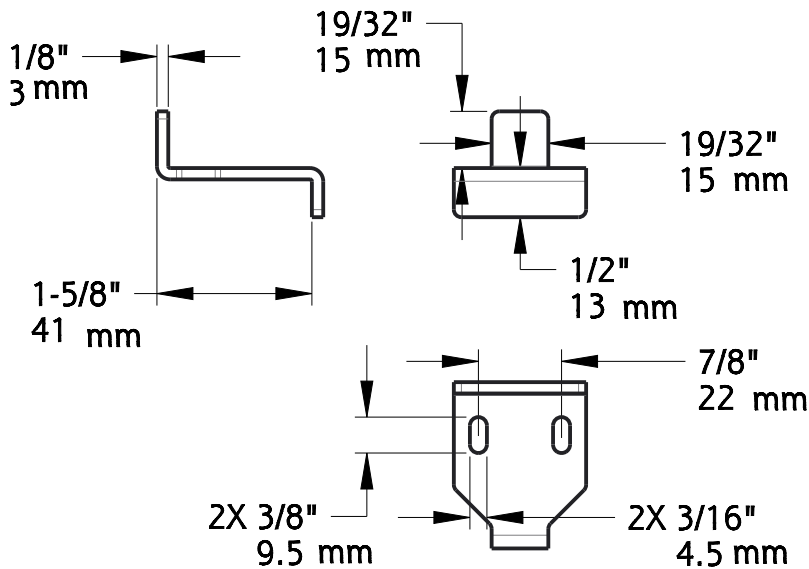
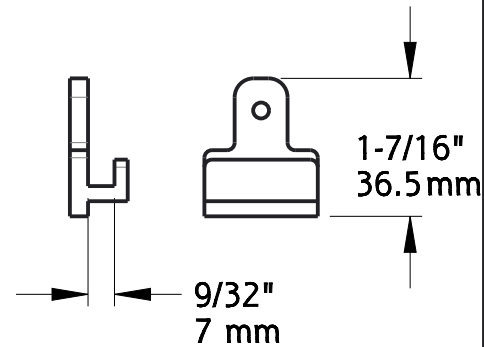


CLOSER ASSEMBLY

COMES WITH 2 CLOSERS. RIGHT SIDE SHOWN. LEFT SIDE IS MIRROR IMAGE OF THIS.



ACTUATOR



CONNECTOR

| SKU | Finish |
|----------|-------------------|
| N187-082 | Satin Nickel |
| N187-080 | Oil Rubbed Bronze |

Material: Plastic and Steel
Fasteners: (4) Connector, with M6 set screw
(2) Actuator, with M8 x 1" Long

| | | | |
|--------------------|--|--|------------------|
| A | DO NOT SCALE | V1060 | See Table |
| Revision | Dimensions are nominal and subject to change. ©2017 Spectrum Brands, Inc. | Family Name | SKU |
| August 2017 | | Interior Sliding Door Hardware Soft Close | |
| Date | | Description | |