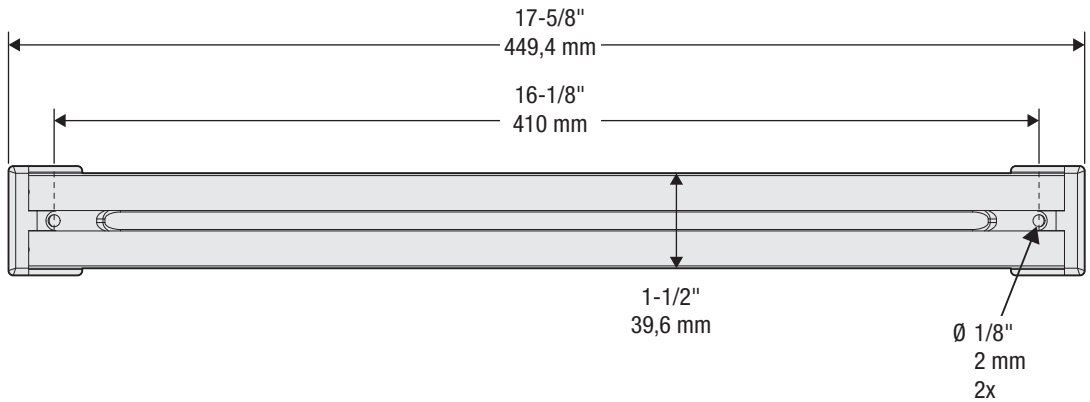
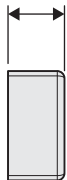


1"
23,5 mm



Material: Steel
 Finish: Gray Powder Coating
 SWL: 3 lbs
 Fasteners: (2) #6 x 1-1/2" Long
 Type A, Phillips, Round head
 (2) Anchor
 Pilot hole: 3/32"

| | | | | |
|----------|-------------------|---|--------------------------------|-----------------|
| Revision | 1 | DO NOT SCALE | V8523 | N112-096 |
| Date | March 2015 | Dimensions are nominal and subject to change. | Family No. | SKU |
| | | ©2015 Spectrum Brands, Inc. | Magnetic Organizer Rack | |
| | | | Description | |