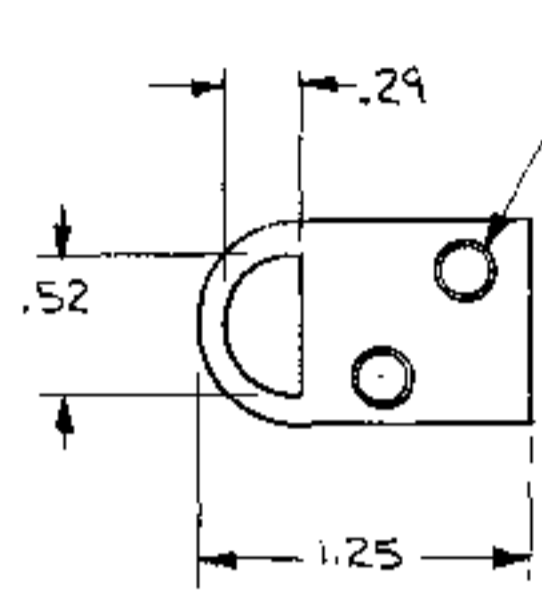
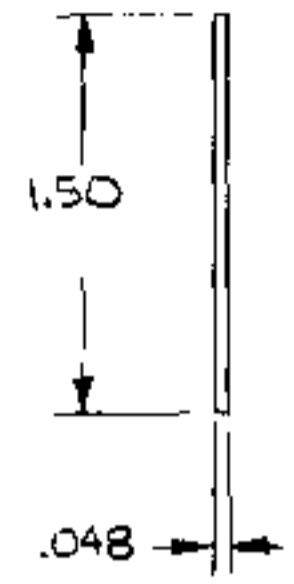
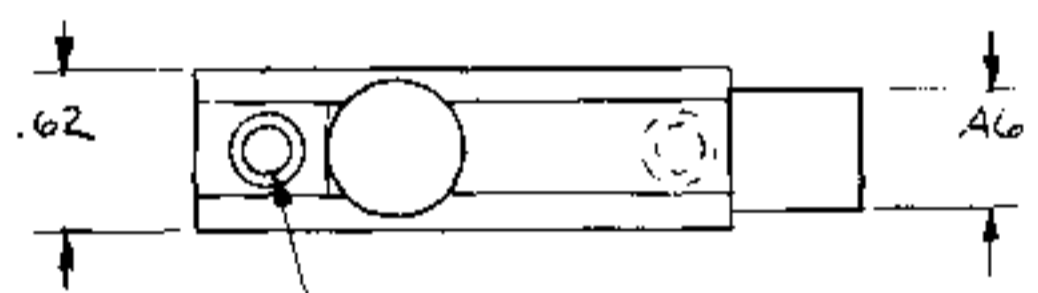
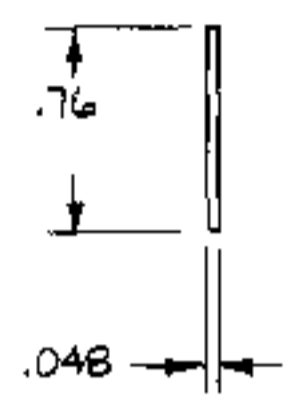


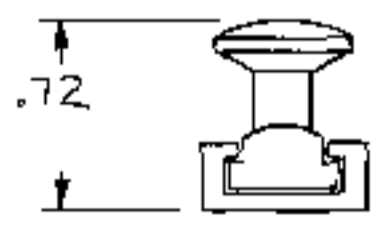
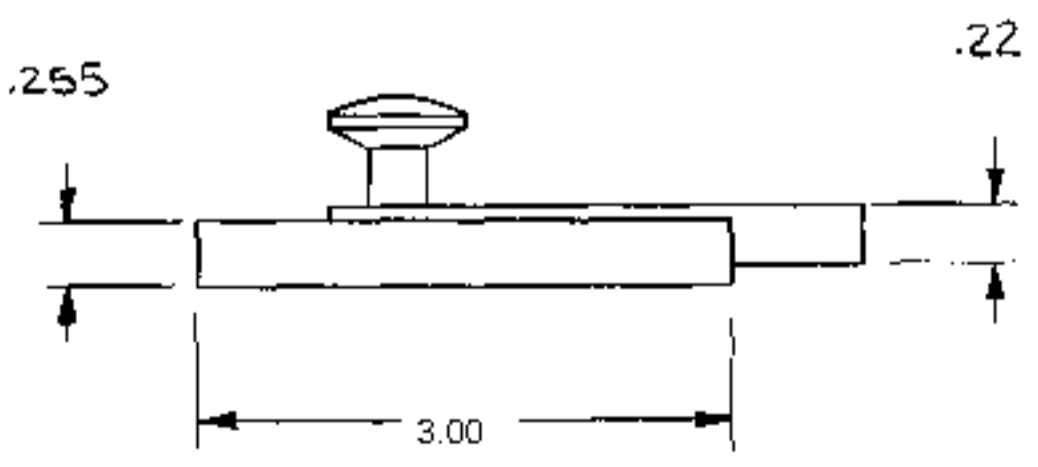
.154 Ø DRILL  
 .256 ± .012 Ø X 82° CSK  
 FOR NO. 5 SCREW.



.154 Ø DRILL  
 .256 ± .012 Ø X 82° CSK  
 FOR NO. 5 SCREW



.154 Ø DRILL  
 .256 ± .012 Ø X 82° CSK  
 FOR NO. 5 SCREW



Dimensions shown are nominal and subject to change. For critical design specification, contact [techinfo@natman.com](mailto:techinfo@natman.com)  
 ©2000 National Manufacturing Co.