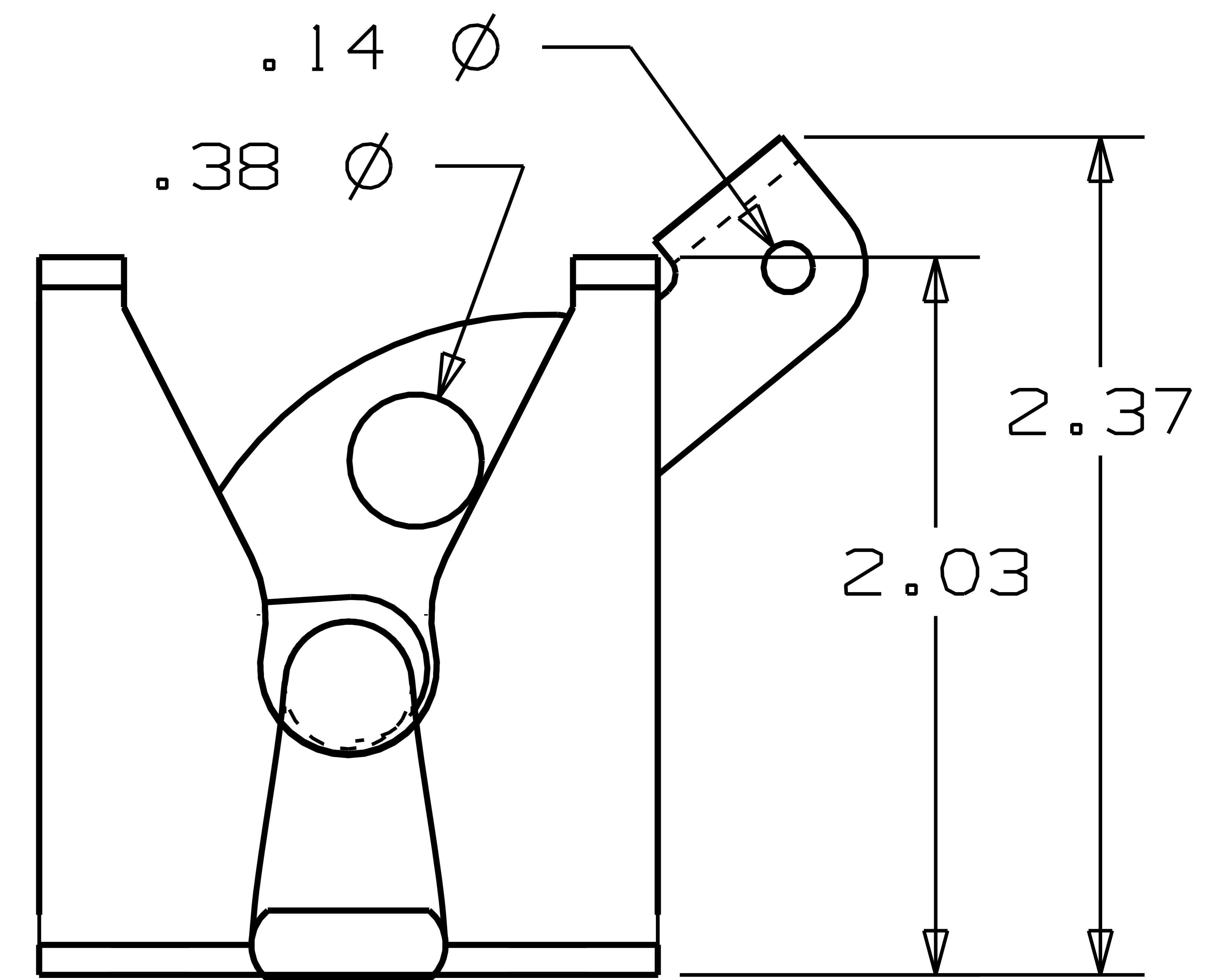
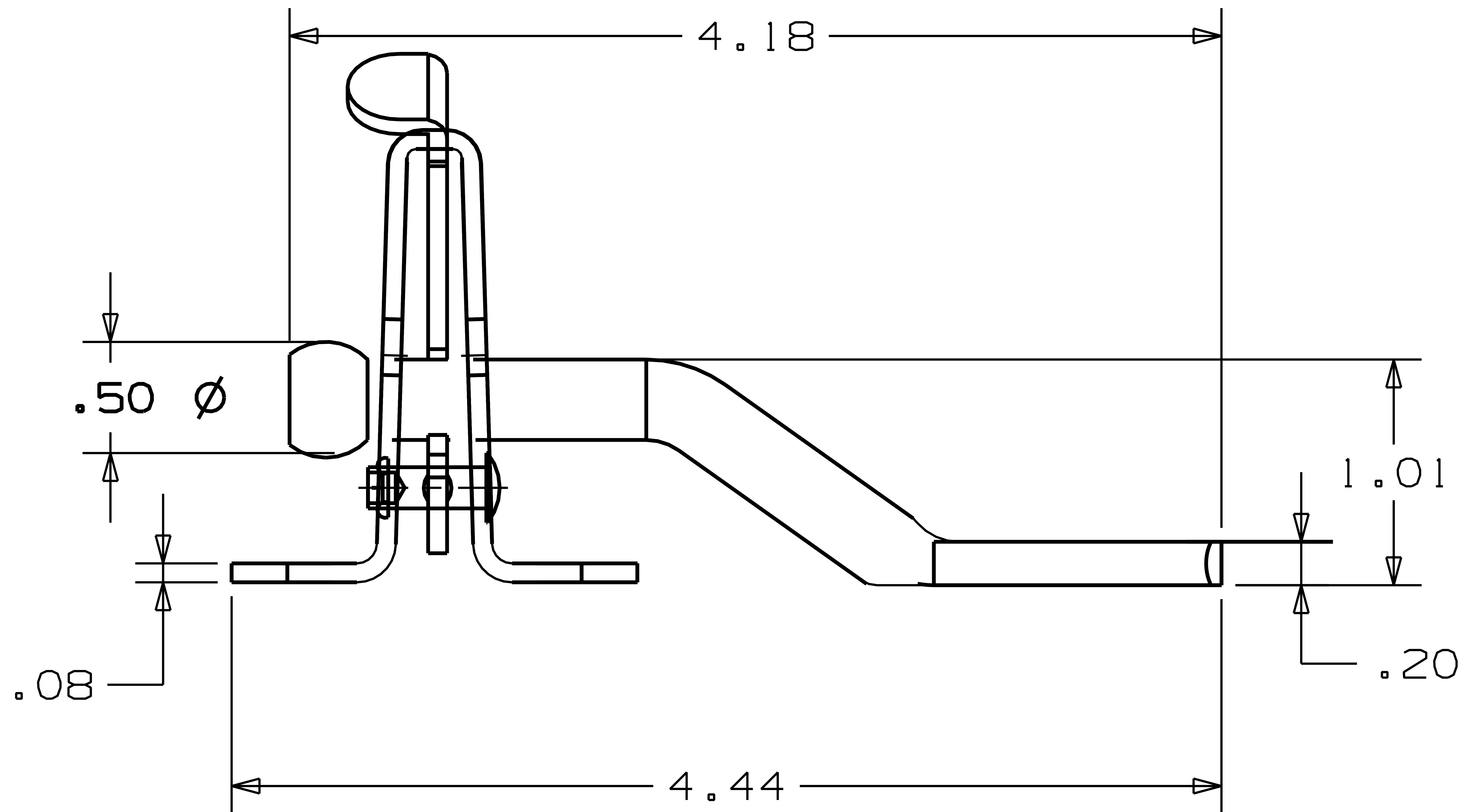
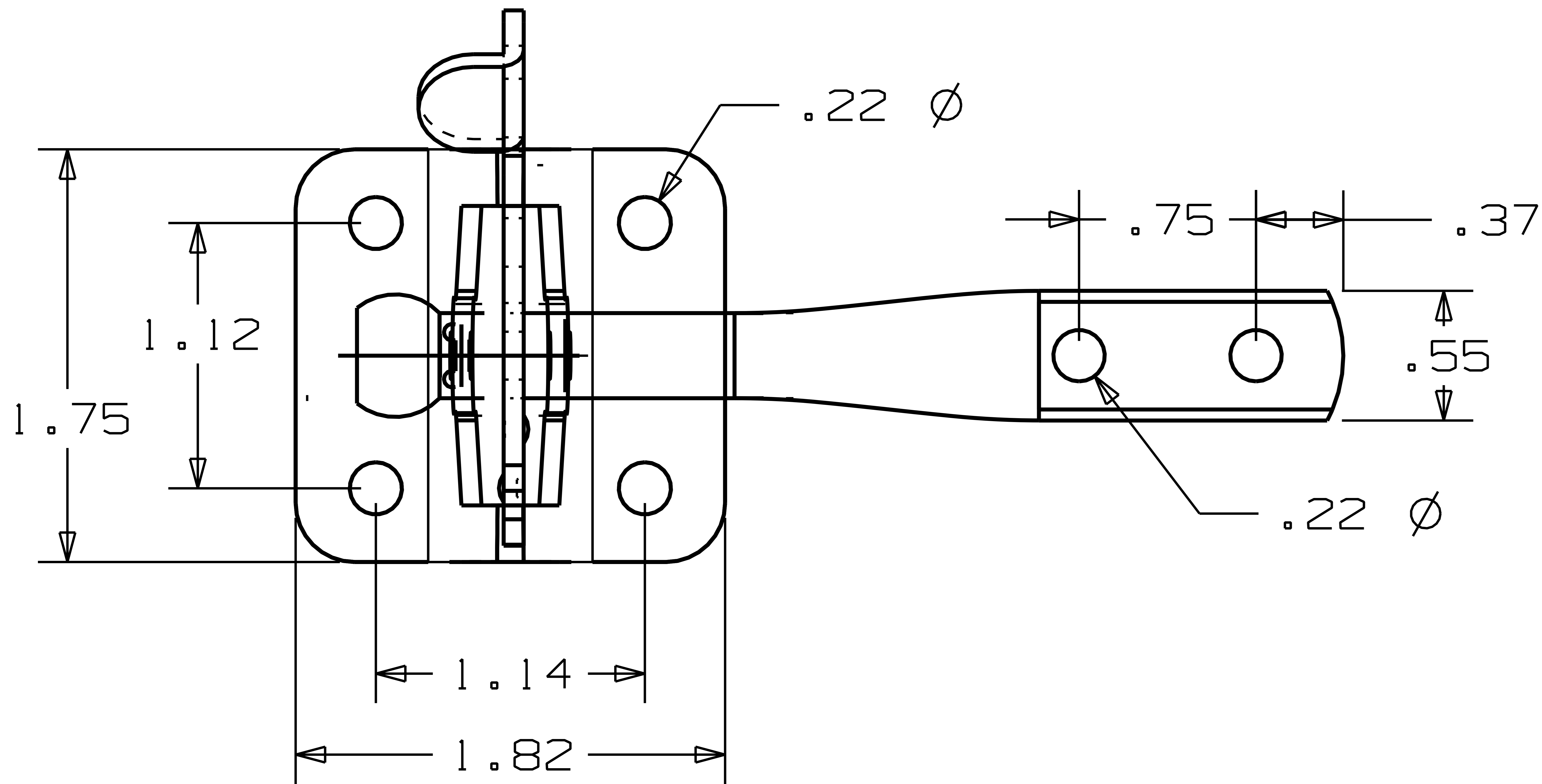


N21



Dimensions shown are nominal and Subject to change. For critical design specification, contact techinfo@natman.com
©2005 National Manufacturing Co.