

## Deb Workplace Dispenser



Unique range of 1 liter, 2 liter and 4 liter closed, sealed cartridge dispensers that meet the distinct needs of any workplace and public facility environment.

### USAGE

For exclusive use with Deb Stoko® cartridges to create tailored skin protection and hand hygiene programs.

### METHOD OF USE

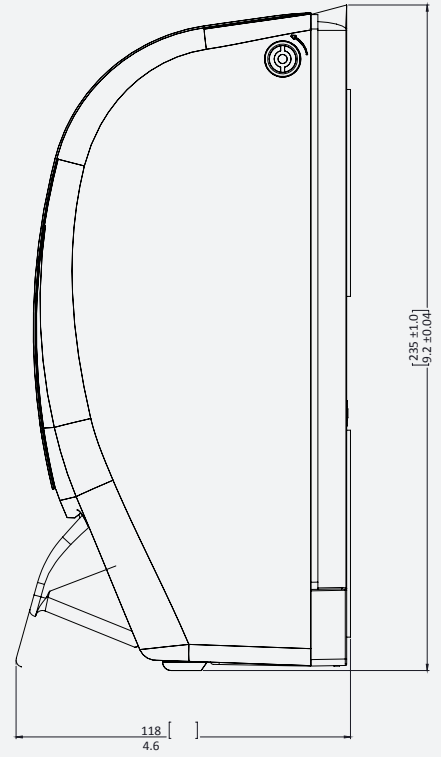
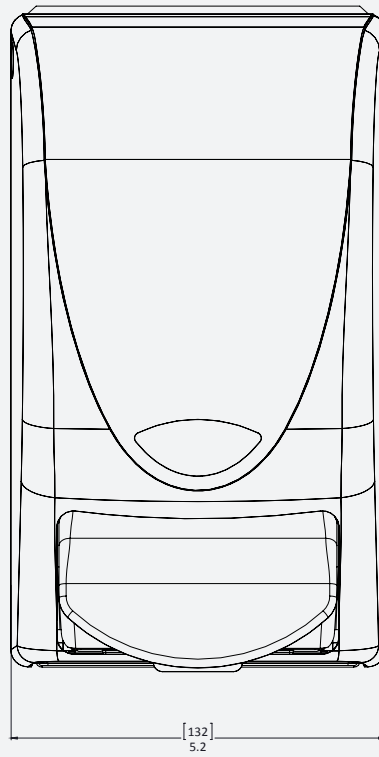
Large, 'easy-push' buttons dispense a controlled dose of product appropriate for the application required. Empty cartridges are easily replaced in seconds.

Feature	Benefit
Guaranteed for life	<ul style="list-style-type: none"> <li>Dispensers are manufactured from durable plastic components and rigorously tested for high usage environments, providing assurance of quality and long-term cost efficiency</li> </ul>
Spare parts available	<ul style="list-style-type: none"> <li>In case of vandalism or accidental damage, spare parts can be provided allowing for repairs without having to take the dispenser off the wall</li> </ul>
BioCote® protected 	<ul style="list-style-type: none"> <li>Dispensers are exclusively protected by BioCote®, a silver-based antimicrobial agent that is incorporated into the plastic components at the time of manufacture and inhibits the growth of a broad spectrum of bacteria and molds</li> <li>BioCote® will not wear-out or rub-off and is effective for the lifetime of the dispenser</li> </ul>
Fixed product dose	<ul style="list-style-type: none"> <li>Delivers the exact amount required, controlling usage and reducing waste</li> </ul>
Hygienic, airless cartridges	<ul style="list-style-type: none"> <li>The ultrasonically sealed cartridge and pump mechanisms prevent the ingress of air into the cartridge during use to help prevent product contamination and ensure 'fresh' product is dispensed every time</li> </ul>
Color coding	<ul style="list-style-type: none"> <li>Color coded push button for easy visual identification of product type to encourage correct product usage and compliance</li> </ul>
Usage illustrations	<ul style="list-style-type: none"> <li>Simple to understand and language neutral to show best practice method of use; ideal for multinational workforces</li> </ul>
Large push button	<ul style="list-style-type: none"> <li>Allows easy use by hand or elbow; suitable in hygiene sensitive areas</li> </ul>
Unique locking mechanism	<ul style="list-style-type: none"> <li>Helps prevent unauthorized access, pilferage and product contamination</li> </ul>
Sight Glass	<ul style="list-style-type: none"> <li>Indicates the level of product in the cartridge which helps identify when product needs replacing</li> </ul>
Simple cartridge replacement	<ul style="list-style-type: none"> <li>Designed for exclusive use with Deb Stoko® cartridges to be replaced in seconds, reducing maintenance time and costs</li> </ul>
No wastage	<ul style="list-style-type: none"> <li>The air-tight cartridges are designed to collapse during use ensuring full evacuation of product with no wastage</li> </ul>

Step	Code	Dispenser	Color	Size	Case Qty	Dimensions H x W x D	For use with Deb Stoko cartridges
Protect	PR01LDS	Deb Stoko Protect	white	1 Liter	15	9.252 x 4.921 x 4.606	UPW1L, SDA1L, SGP1L, TVC1L, SAQ1L
Protect	SUN1LDS	Deb Stoko Sun Protect	white	1 Liter	15	9.252 x 4.921 x 4.606	SUN1L
Cleanse	WRM1LDS	Deb Stoko Cleanse Washroom	white	1 Liter	15	9.252 x 4.921 x 4.606	CLR1L, AZU1L, RFW1L, ENG1L, GPUP1L, GPGR1L
Cleanse	WRM2LDP	Deb Stoko Cleanse Washroom	white	2 Liter	8	11.378 x 6.378 x 5.472	CLR2LT, AZU2LT, RFW2LT, ENG2LT
Cleanse	WHB1LDS	Proline Curve 1000	white	1 Liter	15	9.252 x 4.921 x 4.606	all 1 Liter cartridges
Cleanse	TWH1LDS	Proline Translucent	white & chrome	1 Liter	15	9.252 x 4.921 x 4.606	all 1 Liter cartridges
Cleanse	TPW1LDS	Proline Transparent	white & chrome	1 Liter	15	9.252 x 4.921 x 4.606	all 1 Liter cartridges
Cleanse	TPB1LDS	Proline Transparent	black & chrome	1 Liter	15	9.252 x 4.921 x 4.606	all 1 Liter cartridges
Cleanse	91128	Proline Curve 1000	black	1 Liter	15	9.252 x 4.921 x 4.606	all 1 Liter cartridges
Cleanse	TBK1LDS	Proline Translucent	black & chrome	1 Liter	15	9.252 x 4.921 x 4.606	all 1 Liter cartridges
Cleanse	BLK2LDP	Proline Curve 2000 Foam	black	2 Liter	8	11.378 x 6.378 x 5.472	all 2 Liter foam cartridges
Cleanse	WHB2LDP	Proline Curve 2000 Foam	white	2 Liter	8	11.378 x 6.378 x 5.472	all 2 Liter foam cartridges
Cleanse	WTS2LDP	Proline Curve 2000 Lotion	white	2 Liter	8	11.378 x 6.378 x 5.472	all 2 Liter non-foam cartridges
Cleanse	BKS2LDP	Proline Curve 2000 Lotion	black	2 Liter	8	11.378 x 6.378 x 5.472	all 2 Liter non-foam cartridges
Cleanse	WHB4LDR	Proline Curve 4000	white	4 Liter	6	13.74 x 7.008 x 6.22	all 4 Liter cartridges
Cleanse	BLK4LDR	Proline Curve 4000	black	4 Liter	6	13.74 x 7.008 x 6.22	all 4 Liter cartridges
Cleanse	ANT1LDS	Deb Stoko Cleanse AntiBac	white	1 Liter	15	9.252 x 4.921 x 4.606	ANT1L, PBF1L, AFH1L, AMCA1L, AGB1L, CBA1L
Cleanse	ANT2LDP	Deb Stoko Cleanse AntiBac	white	2 Liter	8	11.378 x 6.378 x 5.472	ANT2LT, PBF2LT, AFH2LT, AGB2LT, CBA2LT
Cleanse	RSH1LDS	Deb Stoko Refresh Luxury Shower	white	1 Liter	15	9.252 x 4.921 x 4.606	CMW1L
Cleanse	RSH2LDP	Deb Stoko Refresh Luxury Shower	white	2 Liter	8	11.378 x 6.378 x 5.472	CMW2LT
Cleanse	SHW1LDS	Deb Stoko Cleanse Shower	white	1 Liter	15	9.252 x 4.921 x 4.606	HBG1L, HAB1L
Cleanse	SHW2LDP	Deb Stoko Cleanse Shower	white	2 Liter	8	11.378 x 6.378 x 5.472	HBG2LT, HAB2LT
Cleanse	SHW4LDR	Deb Stoko Cleanse Shower	white	4 Liter	6	13.74 x 7.008 x 6.22	HAB4LTR
Cleanse	LGT1LDS	Deb Stoko Cleanse Light	white	1 Liter	15	9.252 x 4.921 x 4.606	LTW1L, PUW1L
Cleanse	LGT2LDP	Deb Stoko Cleanse Light	white	2 Liter	8	11.378 x 6.378 x 5.472	LTW2LT, PUW2LT
Cleanse	LGT4LDR	Deb Stoko Cleanse Light	white	4 Liter	6	13.74 x 7.008 x 6.22	LTW4LTR, PUW4LTR
Cleanse	HVY2LDB	Deb Stoko Cleanse Heavy	black	2 Liter	8	11.378 x 6.378 x 5.472	LIM2LT, SOL2LT, SCP2LT, SCU2LT, 09107, KCL2LT, KCH2LT
Cleanse	HVY2LDP	Deb Stoko Cleanse Heavy	white	2 Liter	8	11.378 x 6.378 x 5.472	
Cleanse	HVY4LDB	Deb Stoko Cleanse Heavy	black	4 Liter	6	13.74 x 7.008 x 6.22	LIM4LTR, SOL4LTR, SCP4LTR, 09104, KCL4LTR, KCH4LTR
Cleanse	HVY4LDR	Deb Stoko Cleanse Heavy	white	4 Liter	6	13.74 x 7.008 x 6.22	
Cleanse	ULT2LDP	Deb Stoko Cleanse Ultra	white	2 Liter	8	11.378 x 6.378 x 5.472	KKU2LT, KSP2LT
Sanitize	SAN1LDS	Deb Stoko Sanitize	white	1 Liter	15	9.252 x 4.921 x 4.606	IFS1L, 56827, 55857, IFC1L
Sanitize	IFS1LDS	Deb InstantFoam	white	1 Liter	15	9.252 x 4.921 x 4.606	IFS1L, 56827, 55857, IFC1L
Restore	RES1LDS	Deb Stoko Restore	white	1 Liter	15	9.252 x 4.921 x 4.606	RES1L, SBS1L, SGE1L, SBL1L, SCL1L

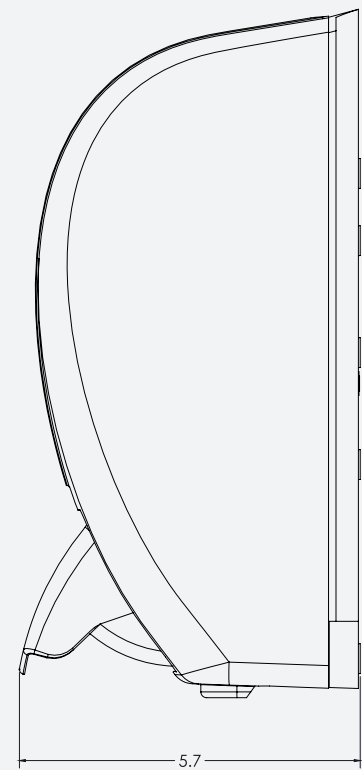
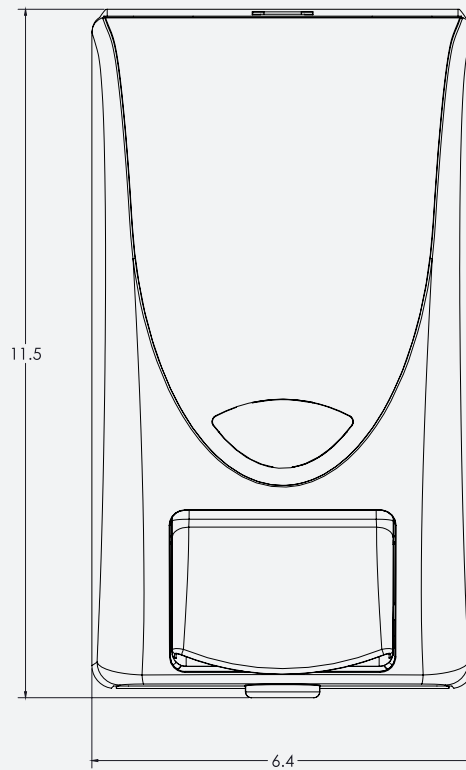
## 1 LITER DISPENSER

PR01LDS  
SUN1LDS  
WHB1LDS  
WRM1LDS  
TWH1LDS  
TPW1LDS  
TPB1LDS  
91128  
TBK1LDS  
ANT1LDS  
RSH1LDS  
SHW1LDS  
LGT1LDS  
SAN1LDS  
IFS1LDS  
RES1LDS



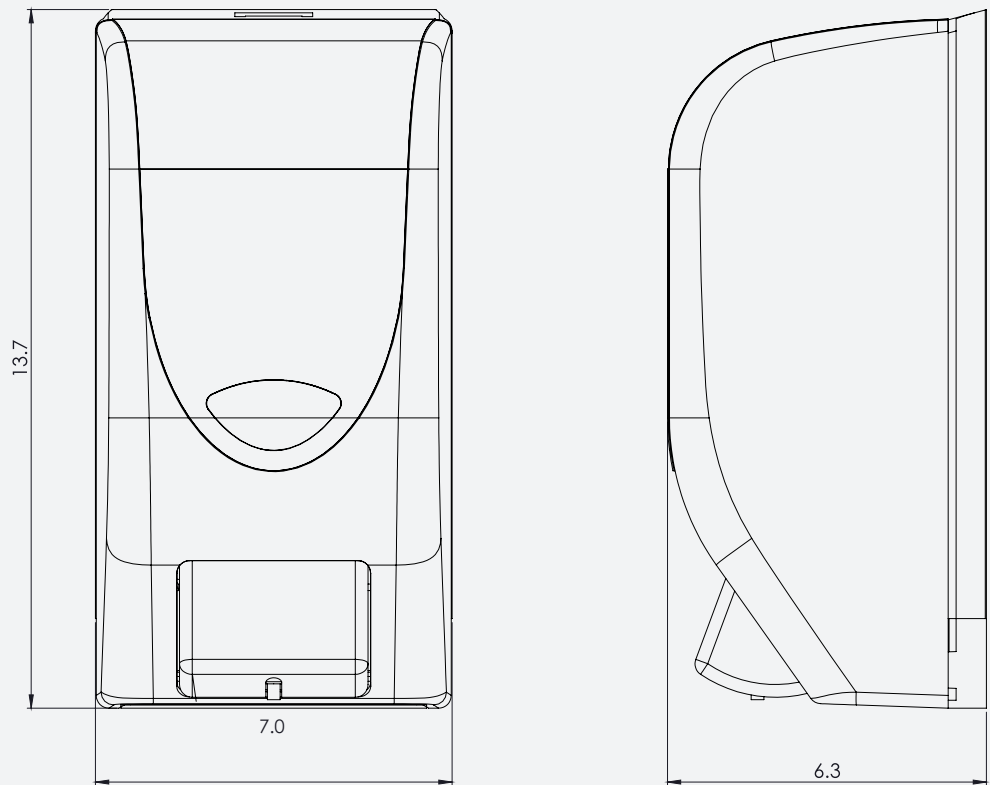
## 2 LITER DISPENSER

WRM2LDP  
BLK2LDP  
WHB2LDP  
WTS2LDP  
BKS2LDP  
ANT2LDP  
RSH2LDP  
SHW2LDP  
LGT2LDP  
HVY2LDB  
HVY2LDP  
ULT2LDP



## 4 LITER DISPENSER

WHB4LDR  
BLK4LDR  
SHW4LDR  
LGT4LDR  
HVY4LDB  
HVY4LDR



### Deb USA, Inc.

2815 Coliseum Centre Drive  
Suite 600  
Charlotte, NC 28217  
USA  
Tel: 800 248 7190  
www.debgroup.com

This information and all further technical advice is based upon our present knowledge and experience. However, it implies no liability or other legal responsibility on our part, including with regard to existing third party intellectual property rights, especially patent rights. In particular, no warranty, whether express or implied, or guarantee of product properties in the legal sense is intended or implied. We reserve the right to make any changes according to technological progress or further developments.

® = is a registered trademark of Deb Group Ltd. or one of its subsidiaries.  
© Deb Group Ltd 2017.



**Make Hands Matter in the Workplace**