

POLYETHYLENE FLOATS



HOLLOW or FOAM FILLED

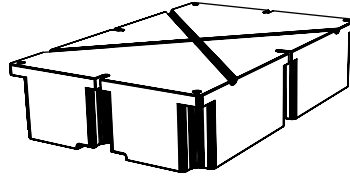
Made of tough virgin polyethylene with ultra violet inhibitors to prevent damage from the sun, debris, oil, gas, marine organisms, salt, and fresh water.

Nominal wall thickness of .150 for the strongest and most durable floats.

Most of them are available hollow (H) or foam filled (FF) with expanded polystyrene (EPS)

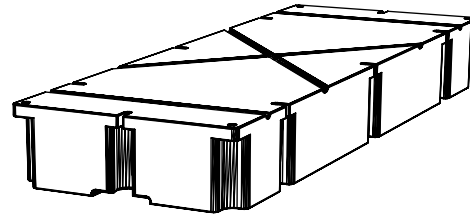
Special groove under the float (14003 to 14010 Models Only) to insert a wooden 2x6 skid.

R-200 Buoyancy 200 lbs
(H - FF) 24" x 36" x 8"



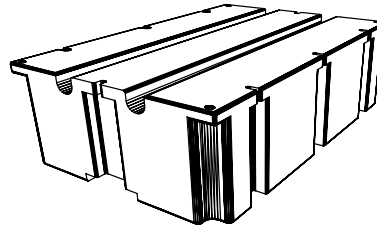
14003-04

R-370 Buoyancy 370 lbs
(H - FF) 24" x 60" x 8"



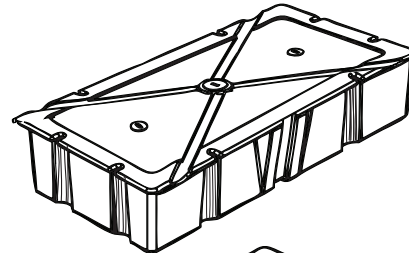
14007-08

R-450 HD Buoyancy 450 lbs
(H - FF) 24" x 48" x 12"



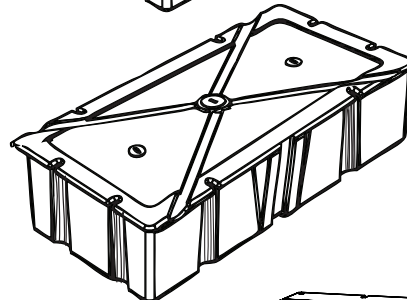
14013-14

R-450 Buoyancy 450 lbs
(H) 24" x 48" x 12"



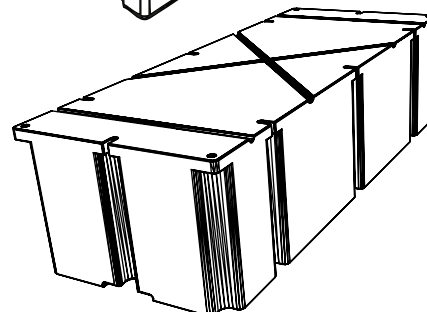
14029

R-600 Buoyancy 600 lbs
(H) 24" x 48" x 16"



14030

R-750 Buoyancy 750 lbs
(H - FF) 24" x 60" x 16"



14009-10