

# 2018 Canning Catalog



Program  
670 Releases May 1, 2018

H E L P I N G   O U R   C U S T O M E R S   B E   S U C C E S S F U L



# SEASONAL PROMOTION

**ORDER  
DEADLINE**  
June 30th!  
See page 2 for details



## 2018 Orgill Canning Season Special Flyer

*Check out our 2018 Deals and Promotions on the top selling items in the canning category. We are bringing to you the Best Vendors in the industry for this event. National Brands that will drive your sales to the consumers.*

*Here are a few great deals and new items to make sure that you see.*

- *Jarden Home Products — Jars should never be out of stock on your Planograms not only during Canning Season but also year long as the hardware/home center is the destination for these items.*
- *National Presto Canners are a must for your canning planograms.*
- *Kent Precision — All of the pickling mixes are in stock now for the season*

*Thank you for your support, we look forward to an exciting and great Canning Season this year.*

**Karen Bauer**  
Senior Category Manager  
Home Products

**Melissa Diller**  
Merchandise Manager  
Home Products

## TO ORDER:

- **Key & Transmit your order electronically, using the Program Number 670.**
- **or...Give your order to your Orgill Sales Representative.**
- **or...Call us toll-free at 1-800-347-2860, ext. 141.**
- **or...Fax your order toll-free to 1-800-758-0208.**

**Prices good May 1 thru June 30, 2018**

*Any or all prices are subject to change without notice and we will always bill you at current prices prevailing at time of shipment.*





**12-Pack Ball® Regular Mouth Jars**

Use for either canning or freezing. Shaped, tempered glass, withstands heat of steam pressure canner and sub-zero temperatures of home freezer. Includes: jars, lids and bands.

**1/2-Pint 8593253** Shelf Pack: 1  
Mfg. # 60000 | UPC: 014400600005

ADV	VP2	VP1
\$7.27	\$7.78	\$8.06
<b>\$6.54</b>	<b>\$7.00</b>	<b>\$7.25</b>

**1-Pint 9375205** Shelf Pack: 1  
Mfg. # 61000 | UPC: 014400610004

ADV	VP2	VP1
\$7.66	\$8.09	\$8.45
<b>\$6.90</b>	<b>\$7.28</b>	<b>\$7.61</b>

**1-Quart 9375221** Shelf Pack: 1  
Mfg. # 62000 | UPC: 014400620003

ADV	VP2	VP1
\$9.07	\$9.58	\$9.99
<b>\$8.17</b>	<b>\$8.63</b>	<b>\$9.00</b>



**12-Pack Ball® Quilted Crystal Jelly Jars**

Ideal for fresh preserving recipes such as jams, jellies, sauces, mustards and flavored vinegars. The Quilted Crystal design adds a decorative touch to these multi-purpose jars – also use them for serving, creative décor and gift giving. Includes: (12) jars, lids, bands and bonus labels.

**4-Oz. 9218538** Shelf Pack: 1  
Mfg. # 80400 | UPC: 014400804007

ADV	VP2	VP1
\$7.43	\$7.98	\$8.25
<b>\$6.68</b>	<b>\$7.18</b>	<b>\$7.42</b>

**8-Oz. 9324104** Shelf Pack: 1  
Mfg. # 81200 | UPC: 014400812002

ADV	VP2	VP1
\$8.06	\$8.51	\$8.89
<b>\$7.25</b>	<b>\$7.66</b>	<b>\$8.00</b>

**12-Oz. 5548763** Shelf Pack: 1  
Mfg. # 81400 | UPC: 014400814006

ADV	VP2	VP1
\$9.73	\$10.45	\$10.79
<b>\$8.76</b>	<b>\$9.41</b>	<b>\$9.72</b>



**12-Pack Ball® Wide Mouth Jars**

Ball® Wide Mouth Glass Preserving Jars are ideal for fresh preserving recipes such as salsas, syrups, sauces, fruits and vegetables. Our famous glass jars and closures go beyond fresh preserving to help you with serving, creative décor and gift giving. Includes: jars, lids and bands.

**1-Pint 9375247** Shelf Pack: 1  
Mfg. # 66000 | UPC: 014400660009

ADV	VP2	VP1
\$8.92	\$9.42	\$9.84
<b>\$8.03</b>	<b>\$8.48</b>	<b>\$8.86</b>

**1-Quart 9375502** Shelf Pack: 1  
Mfg. # 67000 | UPC: 014400670008

ADV	VP2	VP1
\$10.11	\$10.68	\$11.17
<b>\$9.10</b>	<b>\$9.62</b>	<b>\$10.06</b>



**4-Pack Ball® Collection Elite® Wide Mouth Jars**

Brushed silver lids and bands. Perfect for sharing, this jar has a contemporary style that is ideal for creative preserving and storing. Elegant enough to take your flavored mustards, savory dressings, luscious chutneys and fruit-filled jams from the kitchen to the table, these uniquely shaped jars hold endless imagination.

**1/2-Pint 2359966X** Shelf Pack: 4  
Mfg. # 61162 | UPC: 014400611629

ADV	VP2	VP1
\$3.92	\$4.14	\$4.32
<b>\$3.52</b>	<b>\$3.72</b>	<b>\$3.88</b>

**16-Oz. 2359982X** Shelf Pack: 4  
Mfg. # 61180 | UPC: 014400611803

ADV	VP2	VP1
\$4.27	\$4.51	\$4.72
<b>\$3.84</b>	<b>\$4.06</b>	<b>\$4.25</b>



**6-Pack Ball® Wide Mouth Jars**

These 64-oz. preserving jars are ideal for fresh preserving apple and grape juices. Our famous glass jars and closures go beyond fresh preserving to help you with serving, creative décor and gift giving. Includes: jars, lids and bands.

**1/2-Gallon 3383536** Shelf Pack: 1  
Mfg. # 68100 | UPC: 014400681004

ADV	VP2	VP1
\$9.25	\$9.77	\$10.20
<b>\$8.32</b>	<b>\$8.79</b>	<b>\$9.18</b>



**9-Pack Ball® Wide Mouth Jars**

Wide mouth glass preserving jars are ideal for fresh preserving longer vegetables such as asparagus, cucumbers, and long beans. Includes: jars, lids and bands.

**1-1/2-Pint 2359958** Shelf Pack: 1  
Mfg. # 65500 | UPC: 014400655005

ADV	VP2	VP1
\$8.92	\$9.42	\$9.84
<b>\$8.03</b>	<b>\$8.48</b>	<b>\$8.86</b>



**4-Pack 8-Oz. Ball® Collection Elite® Regular Mouth Jam Jars**

For fruit-filled jams, jellies, favorite sauces, salsas and gifting. Unique rounded shape embossed with fruit and vines. Made in USA.

**2360139** Shelf Pack: 4  
Mfg. # 1440081210 | UPC: 014400812101

ADV	VP2	VP1
\$3.82	\$4.02	\$4.21
<b>\$3.44</b>	<b>\$3.62</b>	<b>\$3.79</b>



**4-Pack Ball® Collection Elite® Design Series Jars**

For all of your home décor, crafting, gift-giving needs and canning. Use as your favorite new drinkware set.

**1/2-Pint 2360097** Shelf Pack: 4  
Mfg. # 1440069022 | UPC: 014400690228

ADV	VP2	VP1
\$5.54	\$5.84	\$6.10
<b>\$4.98</b>	<b>\$5.25</b>	<b>\$5.49</b>

**Pint 2360105** Shelf Pack: 4  
Mfg. # 1440069023 | UPC: 014400690235

ADV	VP2	VP1
\$6.12	\$6.45	\$6.73
<b>\$5.51</b>	<b>\$5.81</b>	<b>\$6.06</b>

**Quart 2360113** Shelf Pack: 4  
Mfg. # 1440069024 | UPC: 014400690242

ADV	VP2	VP1
\$7.06	\$7.46	\$7.77
<b>\$6.35</b>	<b>\$6.71</b>	<b>\$6.99</b>



### 8-Pack Ball® Jar Storage Caps

Ball® Plastic Storage Caps are ideal for storing or freezing with Regular Mouth Glass Preserving Jars. The versatile Ball® Regular Mouth Plastic Storage Caps provide more ways to store your creations. You may refrigerate, freeze or store. Dishwasher safe. Each package contains 8 reusable plastic storage caps.

**Regular 8431090Y** Shelf Pack: 6  
Mfg. # 36010 | UPC: 014400360008

ADV	VP2	VP1
\$2.47	\$2.66	\$2.74
<b>\$2.23</b>	<b>\$2.40</b>	<b>\$2.47</b>

**Wide Mouth 0733634Y** Shelf Pack: 6  
Mfg. # 37010 | UPC: 014400370007

ADV	VP2	VP1
\$2.85	\$3.06	\$3.16
<b>\$2.56</b>	<b>\$2.75</b>	<b>\$2.84</b>



### 12-Pack Ball® Jar Lids with Bands

Ball® Regular Mouth Lids with Bands for preserving fit all regular mouth glass preserving jars. Seal in the freshness and enjoy freshly made foods tonight or tomorrow. Lids are for one-time use only. Bands can be reused. Includes 12 lids with bands.

**Regular 9375510Y** Shelf Pack: 24  
Mfg. # 30000 | UPC: 014400300004

ADV	VP2	VP1
\$3.76	\$3.98	\$4.12
<b>\$3.39</b>	<b>\$3.59</b>	<b>\$3.71</b>

**Wide Mouth 9375619Y** Shelf Pack: 12  
Mfg. # 40000 | UPC: 014400400001

ADV	VP2	VP1
\$5.10	\$5.46	\$5.69
<b>\$4.59</b>	<b>\$4.92</b>	<b>\$5.13</b>



### 12-Pack Ball® Jar Lids

Ball® Lids for preserving fit all regular mouth glass preserving jars. Seal in the freshness and enjoy freshly made foods tonight or tomorrow. Lids are for one-time use only. Includes 12 lids.

**Regular 9376096Y** Shelf Pack: 36  
Mfg. # 1440032000 | UPC: 014400310003

ADV	VP2	VP1
\$1.93	\$2.06	\$2.13
<b>\$1.74</b>	<b>\$1.86</b>	<b>\$1.92</b>

**Wide Mouth 9376112Y** Shelf Pack: 36  
Mfg. # 42000 | UPC: 014400420009

ADV	VP2	VP1
\$2.81	\$3.01	\$3.14
<b>\$2.67</b>	<b>\$2.85</b>	<b>\$2.98</b>



### 12-Pack Kerr® Wide Mouth Half Pint Jars

For canning or freezing fruits, spreads, meats and just the right size for salsa dipping. Lids and bands included.

**0295089** Shelf Pack: 1  
Mfg. # 00500 | UPC: 070610005009

ADV	VP2	VP1
\$9.03	\$9.52	\$9.94
<b>\$8.12</b>	<b>\$8.57</b>	<b>\$8.95</b>



### 4-Pack Canning Rings

For preserve and storage jars. Fits 3-3/4" jars. Now silicone, which is a better and longer lasting material than rubber.

**4218319X** Shelf Pack: 6  
Mfg. # 9924 | UPC: 781723992499

ADV	VP2	VP1
\$2.04	\$2.20	\$2.29
<b>\$1.94</b>	<b>\$2.09</b>	<b>\$2.17</b>



### 1-Quart Ball® Smooth Side Craft Jar

Each jar has a regular sized mouth and comes with a 2-piece metal lid. Crystal clear smooth glass. Perfect for crafting.

**2360196** Shelf Pack: 12  
Mfg. # 1440062500 | UPC: 014400625008

ADV	VP2	VP1
\$1.02	\$1.09	\$1.14
<b>\$0.91</b>	<b>\$0.98</b>	<b>\$1.02</b>



### Ball® Plastic Freezer Jars with Snap-On Lids

Jars are easy-to-use and ideal for freezer jam, freezing/refrigeration of leftovers and storing fresh fruit & veggies. Use them for storage or portable lunch containers. Flexible lid structure eliminates leaks. Measuring & lines provide accurate portion control.

**8-Oz. 3 Pack 2360204** Shelf Pack: 6  
Mfg. # 1440082100 | UPC: 014400821004

ADV	VP2	VP1
\$2.92	\$3.13	\$3.28
<b>\$2.83</b>	<b>\$3.04</b>	<b>\$3.18</b>

**16-Oz. 2 Pack 2360212** Shelf Pack: 6  
Mfg. # 1440083105 | UPC: 014400831058

ADV	VP2	VP1
\$2.92	\$3.13	\$3.28
<b>\$2.83</b>	<b>\$3.04</b>	<b>\$3.18</b>



### 1-Gallon Ball® Decorative Jar

Easy pushdown storage lid allows you to store items effortlessly. One-gallon size is perfect for dry storage, crafting and decoration - not for home canning use. Appearance replicates the charm of yesteryear and it brings classic Americana style to your home.

**2360030X** Shelf Pack: 2  
Mfg. # 96268 | UPC: 014400700163

ADV	VP2	VP1
\$11.41	\$12.13	\$12.65
<b>\$10.27</b>	<b>\$10.91</b>	<b>\$11.38</b>



### 1/2-Gallon Ball® Super Wide Mouth Jar

For dry storage, crafting and decoration. Not for home canning use. Press on/pull off lid for easy access. Extra wide mouth allows for scooping.

**2360170X** Shelf Pack: 2  
Mfg. # 1440070017 | UPC: 014400700170

ADV	VP2	VP1
\$7.08	\$7.48	\$7.80
<b>\$6.37</b>	<b>\$6.73</b>	<b>\$7.02</b>





**1-Quart Ball®  
Wide Mouth Jar  
with Pour &  
Measure Cap**



Two-sided spout provides options for both liquids and dry goods. Includes spill resistant snap-on cap with measure markings up to 1/2 cup.

**2360162** Shelf Pack: 4  
Mfg. # 1440040003 | UPC: 014400400032

ADV	VP2	VP1
\$3.86	\$4.07	\$4.25
<b>\$3.52</b>	<b>\$3.71</b>	<b>\$3.88</b>



**2-Pack Ball®  
Regular Mouth  
Herb Shaker Lids**



Lids lock open to make pouring easy. Made of BPA-free plastic and perfect for dry storage or pouring spices, herbs, and sprinkles.

**9376203X** Shelf Pack: 10  
Mfg. # 1440010747 | UPC: 014400107474

ADV	VP2	VP1
\$1.38	\$1.48	\$1.54
<b>\$1.31</b>	<b>\$1.41</b>	<b>\$1.47</b>



**Ball®  
Salt or Pepper Shaker**



4-oz. salt and pepper shakers are shaped like a classic Ball® canning jar.

**8906869Y** Shelf Pack: 24  
Mfg. # 40501 | UPC: 649281405014

ADV	VP2	VP1
\$0.70	\$0.75	\$0.79
<b>\$0.67</b>	<b>\$0.71</b>	<b>\$0.75</b>



**Ball® Pour &  
Measure Caps**



Two-sided spout provides options for both liquids and dry goods. Spill resistant snap-on cap included that features measure markings up to 1/2 cup.

**2360154** Shelf Pack: 4  
Mfg. # 1440040002 | UPC: 014400400025

ADV	VP2	VP1
\$2.43	\$2.61	\$2.71
<b>\$2.22</b>	<b>\$2.38</b>	<b>\$2.48</b>



**Stor-Keeper Storage Container**

Designed with easy to hold grip tab. Safe for freezing and microwave reheating and defrosting. Dishwasher safe. Made in the USA.

**1-Pint, 5 Pack 0519892X** Shelf Pack: 12  
Mfg. # 00042 | UPC: 070652000420

ADV	VP2	VP1
\$2.23	\$2.39	\$2.49
<b>\$2.01</b>	<b>\$2.15</b>	<b>\$2.24</b>

**1.5-Pint, 4 Pack 0519900X** Shelf Pack: 12  
Mfg. # 00043 | UPC: 070652000437

ADV	VP2	VP1
\$2.23	\$2.39	\$2.49
<b>\$2.01</b>	<b>\$2.15</b>	<b>\$2.24</b>

**1-Quart, 3 Pack 0519918X** Shelf Pack: 6  
Mfg. # 00044 | UPC: 070652000444

ADV	VP2	VP1
\$2.23	\$2.39	\$2.49
<b>\$2.01</b>	<b>\$2.15</b>	<b>\$2.24</b>

**1/2 Gallon, 2 Pack 0519926X** Shelf Pack: 12  
Mfg. # 00045 | UPC: 070652000451

ADV	VP2	VP1
\$2.23	\$2.39	\$2.49
<b>\$2.01</b>	<b>\$2.15</b>	<b>\$2.24</b>



**All Purpose Sifter Shaker**



3.5". Plastic. Ideal for salt, sugar, flour and spices.

**4790879X** Shelf Pack: 12  
Mfg. # 4647 | UPC: 030734046470

ADV	VP2	VP1
\$1.34	\$1.44	\$1.50
<b>\$1.19</b>	<b>\$1.28</b>	<b>\$1.34</b>



**Silicon Jar Toppers**

Provides an airtight seal for storing unused portions in the refrigerator after the metal lid is removed. Dishwasher safe.

**Red Regular Mouth 7108038X** Shelf Pack: 4  
Mfg. # F0723-4 | UPC: 007230000008

ADV	VP2	VP1
\$5.73	\$6.15	\$6.46
<b>\$5.16</b>	<b>\$5.53</b>	<b>\$5.81</b>

**Green Regular Mouth 7108046X** Shelf Pack: 4  
Mfg. # F0724-4 | UPC: 007240000005

ADV	VP2	VP1
\$5.73	\$6.15	\$6.46
<b>\$5.16</b>	<b>\$5.53</b>	<b>\$5.81</b>

**Red Wide Mouth 7108004X** Shelf Pack: 4  
Mfg. # F0725-4 | UPC: 072495007253

ADV	VP2	VP1
\$8.91	\$9.47	\$9.88
<b>\$8.02</b>	<b>\$8.52</b>	<b>\$8.89</b>

**Green Wide Mouth 7108012X** Shelf Pack: 4  
Mfg. # F0726-4 | UPC: 072495007260

ADV	VP2	VP1
\$8.91	\$9.47	\$9.88
<b>\$8.02</b>	<b>\$8.52</b>	<b>\$8.89</b>



**Stor-Keeper Stackable Containers**

Unique stacking design. BPA free. Made in USA.

**32-Oz. 0519967X** Shelf Pack: 12  
Mfg. # 00736 | UPC: 070652007368

ADV	VP2	VP1
\$1.44	\$1.55	\$1.61
<b>\$1.28</b>	<b>\$1.38</b>	<b>\$1.44</b>

**80-Oz. 0519983X** Shelf Pack: 12  
Mfg. # 00738 | UPC: 070652007382

ADV	VP2	VP1
\$2.39	\$2.56	\$2.67
<b>\$2.16</b>	<b>\$2.31</b>	<b>\$2.41</b>

**128-Oz. 0519991X** Shelf Pack: 6  
Mfg. # 00739 | UPC: 070652007399

ADV	VP2	VP1
\$2.84	\$3.05	\$3.18
<b>\$2.56</b>	<b>\$2.74</b>	<b>\$2.86</b>

**Ball® FreshTECH Harvestpro™ Sauce Maker**

Easy-to-use and quiet machine can process up to 15 quarts of fresh tomato puree in 20 minutes. Makes purees and chunky sauces.

**2360188** Shelf Pack: 1  
Mfg. # 1440035018 | UPC: 014400350184



ADV	VP2	VP1
\$98.09	\$103.49	\$107.99
<b>\$93.18</b>	<b>\$98.32</b>	<b>\$102.59</b>

**Ball® FreshTECH Automatic Jam & Jelly Maker**

Make fresh, delicious jam in under 30 minutes. Maker uses SmartStir™ Technology to automatically stir your jam or jelly while it cooks so you don't have to do the guesswork – you just set it and go! Nonstick pot, stirring paddle and glass lid are dishwasher safe.

**2865897** Shelf Pack: 1  
Mfg. # 35005 | UPC: 014400350054



ADV	VP2	VP1
\$78.10	\$83.07	\$86.62
<b>\$74.20</b>	<b>\$78.92</b>	<b>\$82.29</b>



**Ball® Electric Automatic Water Bath Canner**

Use to steam, simmer, boil or blanch without using the stove. Includes: electric canner/multi-cooker, tempered glass lid, steaming/canning jar rack & recipe book.

**2360071** Shelf Pack: 1  
Mfg. # 1440035017 | UPC: 014400350177

ADV	VP2	VP1
\$99.00	\$105.30	\$109.80
<b>\$94.05</b>	<b>\$100.04</b>	<b>\$104.31</b>



**12-Quart Pressure Canner**

Used to elevate the food temperature above 240°F. Adjustable pressure of 5, 10 & 15 PSI. 12-quart capacity. Holds four 1-quart jars, seven 1-pint jars or eight half-pint jars. Steamer insert included.

**7108053X** Shelf Pack: 2  
Mfg. # F0732-2 | UPC: 072495007321

ADV	VP2	VP1
\$54.20	\$57.65	\$60.61
<b>\$48.78</b>	<b>\$51.88</b>	<b>\$54.55</b>



**20-Qt. Granite•Ware™ Anodized Aluminum Pressure Canner, Cooker & Steamer**

Used to elevate the food temperature above 240° F which kills all the bacteria in low acid foods such as meats, poultry, fish and some vegetables. Hard anodized finish. Steamer insert included. U/L certified for safety and canning confidence. Has adjustable pressure of 5, 10 & 15 psi to assure good results at any elevation.

**6282859** Shelf Pack: 1  
Mfg. # F0730-2 | UPC: 072495007307

ADV	VP2	VP1
\$69.34	\$73.75	\$76.90
<b>\$62.41</b>	<b>\$66.38</b>	<b>\$69.21</b>



**Presto® Stainless Steel Pressure Cookers**

Pressure regulator maintains proper cooking temperature automatically. Cover lock indicator shows when there is pressure inside. Stainless-steel body for long-lasting beauty and easy cleaning. Bimetal clad base for fast, even heat distribution. Includes ergonomic handles, cooking rack and instruction/recipe book. UL Listed.

**4-Quart 6311658** Shelf Pack: 1  
Mfg. # 01341 | UPC: 075741013411

ADV	VP2	VP1
\$41.28	\$44.26	\$46.12
<b>\$39.22</b>	<b>\$42.05</b>	<b>\$43.81</b>

**6-Quart 6986889** Shelf Pack: 1  
Mfg. # 01362 | UPC: 075741013626

ADV	VP2	VP1
\$45.17	\$48.42	\$50.46
<b>\$42.92</b>	<b>\$46.00</b>	<b>\$47.94</b>



**Presto® Aluminum Pressure Canners**

Aluminum. Easy-to-read dial gauge for accurate pressure control. Air vent/cover lock allows pressure to build only when cover is closed properly, prevents cover from opening until pressure is safely reduced and gives visual indication of inside pressure. Extra strong, warp-resistant aluminum construction for fast, even heating. Includes cooking/canning rack and instruction/recipe book. UL Listed.

**16-Quart 6910996** Shelf Pack: 1  
Mfg. # 01755 | UPC: 075741017556

ADV	VP2	VP1
\$71.81	\$76.46	\$79.79
<b>\$68.22</b>	<b>\$72.64</b>	<b>\$75.81</b>

**23-Quart 6377097** Shelf Pack: 1  
Mfg. # 01781 | UPC: 075741017815

ADV	VP2	VP1
\$79.26	\$84.40	\$88.80
<b>\$75.30</b>	<b>\$80.18</b>	<b>\$84.36</b>



**Presto® Aluminum Pressure Cookers**

Pressure regulator maintains proper cooking temperature automatically. Cover lock indicator shows when there is pressure inside. Durable, polished aluminum for easy cleaning, long life, and quick, even heating. Includes ergonomic handles, cooking rack and instruction/recipe book. UL Listed.

**4-Quart 6311617** Shelf Pack: 1  
Mfg. # 01241 | UPC: 075741012414

ADV	VP2	VP1
\$22.85	\$24.50	\$25.53
<b>\$21.71</b>	<b>\$23.27</b>	<b>\$24.25</b>

**6-Quart 6824619** Shelf Pack: 1  
Mfg. # 01264 | UPC: 075741012643

ADV	VP2	VP1
\$26.63	\$28.55	\$29.75
<b>\$25.30</b>	<b>\$27.12</b>	<b>\$28.26</b>

**8-Quart 6824635** Shelf Pack: 1  
Mfg. # 01282 | UPC: 075741012827

ADV	VP2	VP1
\$33.62	\$36.05	\$37.56
<b>\$31.94</b>	<b>\$34.25</b>	<b>\$35.69</b>



**16-Qt. GraniteWare™ Preserving Kettle with Handle**

Essential for preserving fruits and jellies. Easy-to-clean, dishwasher-safe black 'ceramic-on-steel' with stain and odor-resistant surface.  
**8244113X** Shelf Pack: 4  
 Mfg. # F0704-4 | UPC: 072495007048

ADV	VP2	VP1
\$16.25	\$17.52	\$18.11
<b>\$14.63</b>	<b>\$15.78</b>	<b>\$16.31</b>



**11.5-Qt. GraniteWare™ Corn Pot**

Made of low carbon steel. Dishwasher safe.  
**7307507X** Shelf Pack: 2  
 Mfg. # 6134-2 | UPC: 072495061347

ADV	VP2	VP1
\$13.14	\$14.10	\$14.58
<b>\$11.82</b>	<b>\$12.69</b>	<b>\$13.12</b>



**Ball® Fresh Preserving Kit**

Includes: 21-quart waterbath canner, 4-piece utensil set (jar lifter, lid lifter, funnel and bubble remove & headspace tool).  
**9376336** Shelf Pack: 2  
 Mfg. # 1440010730 | UPC: 014400107306

ADV	VP2	VP1
\$51.66	\$54.51	\$56.88
<b>\$49.08</b>	<b>\$51.79</b>	<b>\$54.04</b>



**1.5-Quart Double Boiler**

Perfect for cooking delicate foods that tend to separate over direct heat. Lid helps lock in moisture. Porcelain surface over its durable steel core.  
**3321403** Shelf Pack: 1  
 Mfg. # 6150-4 | UPC: 072495061507

ADV	VP2	VP1
\$11.17	\$12.07	\$12.67
<b>\$10.06</b>	<b>\$10.87</b>	<b>\$11.42</b>



**GraniteWare™ Canners**

Easy-to-clean, dishwasher-safe black 'ceramic-on-steel' with stain and odor resistant surface. Rust-proof aluminum rack included.

**11-Quart 8299380X** Shelf Pack: 6  
 Mfg. # F0706-6 | UPC: 072495007062

ADV	VP2	VP1
\$16.28	\$17.55	\$18.15
<b>\$14.65</b>	<b>\$15.79</b>	<b>\$16.33</b>

**21-Quart 8995102X** Shelf Pack: 3  
 Mfg. # F0707-3 | UPC: 072495007079

ADV	VP2	VP1
\$18.58	\$20.03	\$20.72
<b>\$16.72</b>	<b>\$18.03</b>	<b>\$18.65</b>

**33-Quart 8241697X** Shelf Pack: 2  
 Mfg. # F0709-2 | UPC: 072495007093

ADV	VP2	VP1
\$31.39	\$33.85	\$35.00
<b>\$28.25</b>	<b>\$30.47</b>	<b>\$31.50</b>



**21-Quart Ball® Stainless Steel Waterbath Canner**

For preparing additional kitchen creations beyond fresh preserving. Made of 18/10 stainless. Triple layer base of thick aluminum fused between stainless steel.

**9376344** Shelf Pack: 2  
 Mfg. # 1440010740 | UPC: 014400107405

ADV	VP2	VP1
\$68.14	\$71.89	\$75.01
<b>\$64.73</b>	<b>\$68.29</b>	<b>\$71.26</b>



**Vegetable Steamer**

Perfectly cook your vegetables, seafood, and sauces. Made of durable stainless steel with a classic mirrored finish. Easy to clean and sturdy.

**7104227Y** Shelf Pack: 6  
 Mfg. # 175 | UPC: 028901001759

ADV	VP2	VP1
\$4.34	\$4.65	\$4.85
<b>\$4.21</b>	<b>\$4.51</b>	<b>\$4.70</b>

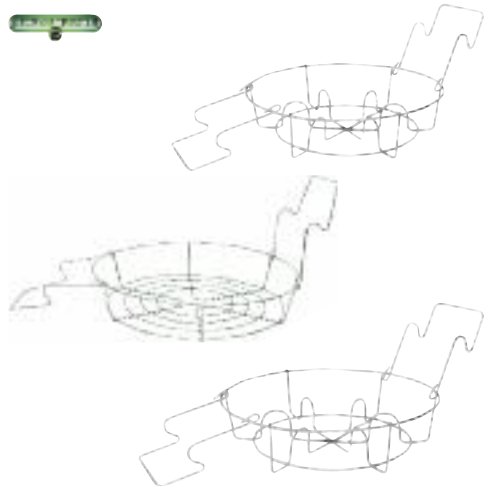


**7.5-Quart GraniteWare™ Blancher with Drainer Insert**

The perfect size for preparing fruits and vegetables for canning or freezing. This 7½ qt. porcelain on steel blancher includes a pot with side handles, a lid and a drainer insert. The carbon steel construction provides high efficiency quick heating performance and is suitable for use on gas or electric stovetops. Also great for cooking pasta, soups and more. Easy to clean and dishwasher safe.

**8995128X** Shelf Pack: 4  
 Mfg. # F6140-4 | UPC: 072495061408

ADV	VP2	VP1
\$15.81	\$17.05	\$17.62
<b>\$14.24</b>	<b>\$15.35</b>	<b>\$15.87</b>



**GraniteWare™ Canning Racks**

Ideal for canning fruits and vegetables.  
**11.5-Qt.** Holds (7) 1-pint jars.  
**7228356X** Shelf Pack: 6  
 Mfg. # 0714-6 | UPC: 072495007147

ADV	VP2	VP1
\$3.28	\$3.52	\$3.67
<b>\$2.96</b>	<b>\$3.18</b>	<b>\$3.31</b>

**21.5-Qt.** Holds (7) 1-quart jars.  
**9355496X** Shelf Pack: 4  
 Mfg. # 0715-4 | UPC: 072495007154

ADV	VP2	VP1
\$5.98	\$6.41	\$6.68
<b>\$5.39</b>	<b>\$5.78</b>	<b>\$6.03</b>

**33-Qt.** Holds (9) 1-quart jars.  
**9817537X** Shelf Pack: 6  
 Mfg. # 0716-6 | UPC: 072495007161

ADV	VP2	VP1
\$5.98	\$6.41	\$6.68
<b>\$5.39</b>	<b>\$5.78</b>	<b>\$6.03</b>





### 16-Oz. Gulf Wax® Paraffin

Household paraffin wax for canning, candle making and many other uses.

**7028731Y** Shelf Pack: 24

Mfg. # 24/1 PARAFFIN | UPC: 062338009728

ADV	VP2	VP1
\$2.94	\$3.17	\$3.29
<b>\$2.85</b>	<b>\$3.07</b>	<b>\$3.19</b>

**PRESTO**



### 7-Function Presto® Canning Kit

This handy set includes all of the most needed canning accessories: Digital timer for precisely measuring processing times. Battery included. Canning funnel for easily filling regular and wide-mouth canning jars. Combination bubble remover/magnetic lid lifter for releasing trapped air bubbles from inside jars and removing canning lids from hot water. Jar lifter for easily and safely removing hot jars from the canner. Also includes a handy jar wrench and kitchen tongs.

**8375230Y** Shelf Pack: 6

Mfg. # 09995 | UPC: 075741099958

ADV	VP2	VP1
\$10.44	\$11.20	\$11.67
<b>\$9.92</b>	<b>\$10.65</b>	<b>\$11.09</b>



### 4-Piece Canning Utensil Set

Jar funnel used to place in mouth of jar to fill without spilling. Jar lifter used for safely lifting jars out of hot water with the blue gripping end. Lid lifter helps to lift lids out of hot water with the magnetic end. Bubble remover and headspace tool help slide into the side of filled jar to release air bubbles and measure headspace.

**4759569X** Shelf Pack: 5

Mfg. # 10720 | UPC: 014400107207

ADV	VP2	VP1
\$7.93	\$8.50	\$8.79
<b>\$7.53</b>	<b>\$8.08</b>	<b>\$8.35</b>



### 6-Piece Canning Set

Six essential tools for canning and dehydrating. Magnetic lid lifter removes canning lids from hot water. Extra wide-mouth canning funnel. Vinyl coated tongs to safely remove hot jars and lids.

**0877985** Shelf Pack: 1

Mfg. # 599 | UPC: 028901005993

ADV	VP2	VP1
\$7.66	\$8.21	\$8.56
<b>\$7.43</b>	<b>\$7.96</b>	<b>\$8.30</b>



### Ball® Secure-Grip Jar Lifter

Ergonomic easy grip handles for lifting jars with maximum grip and jar security. Spring hinge improves strength and opens automatically for easier grip.

**0714253Y** Shelf Pack: 5

Mfg. # 10731 | UPC: 014400107313

ADV	VP2	VP1
\$7.44	\$7.98	\$8.32
<b>\$7.07</b>	<b>\$7.58</b>	<b>\$7.90</b>



### 8-3/4" Jar Lifter

Cushion coated, improves grip, reduces breakage. Specially designed to lift jars from top or side.

**6284178Y** Shelf Pack: 12

Mfg. # 600 | UPC: 028901006006

ADV	VP2	VP1
\$2.69	\$2.71	\$2.82
<b>\$2.61</b>	<b>\$2.63</b>	<b>\$2.74</b>



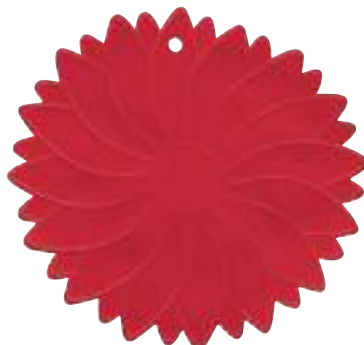
### Jarkey® Jarpop Jar Opener

Quickly and effortlessly pops the vacuum seal so it's easy to open the lid. No twisting, no gripping, no strain lids stay re-sealable.

**376006Y** Shelf Pack: 6

Mfg. # 70712 | UPC: 750862020110

ADV	VP2	VP1
\$2.90	\$3.13	\$3.26
<b>\$2.76</b>	<b>\$2.98</b>	<b>\$3.10</b>



### 5.5" Screwy Lewy Jar Opener

Non slip. Made of silicone. Dishwasher safe. Fits any jar. Hole for hanging storage.

**6284707Y** Shelf Pack: 72

Mfg. # 7036 | UPC: 781723703613

ADV	VP2	VP1
\$1.39	\$1.50	\$1.56
<b>\$1.31</b>	<b>\$1.42</b>	<b>\$1.47</b>



### 7" Magnetic Lid Wand

Picks up one lid at a time. Safely remove canning lids from boiling water. Helps to keep the lids sterilized. Allows for better lid sterilization.

**4381190Y** Shelf Pack: 12

Mfg. # 606 | UPC: 028901006068

ADV	VP2	VP1
\$0.97	\$1.05	\$1.09
<b>\$0.94</b>	<b>\$1.02</b>	<b>\$1.06</b>





**Ball® Brand  
Dissolvable Labels**

Made to adhere securely on jars during storage & use, and then dissolve easily away in water during cleanup. Labels strongly adhere to jars, are easy to write on and dissolve by hand washing or dishwasher when you're ready to reuse the jar. The box may also be used as a dispenser. Each box contains 60 dissolvable labels.

**1358613Y** Shelf Pack: 6  
Mfg. # 10734 | UPC: 014400107344

ADV	VP2	VP1
\$3.09	\$3.32	\$3.46
<b>\$2.94</b>	<b>\$3.15</b>	<b>\$3.25</b>



**2.5" x 4.5"  
Canning Labels**

Self-adhesive jar labels for personalizing food preserving jars. Perfect for quart or pint size jars. Removes easily, leaves no glue residue.

**3578622X** Shelf Pack: 24  
Mfg. # 602 | UPC: 028901006020

ADV	VP2	VP1
\$0.77	\$0.83	\$0.87
<b>\$0.75</b>	<b>\$0.80</b>	<b>\$0.84</b>



**12" Granite•Ware™ Ladle Dipper**

Blue.

**8242059X** Shelf Pack: 12  
Mfg. # F0273-12 | UPC: 072495002739

ADV	VP2	VP1
\$2.20	\$2.37	\$2.47
<b>\$1.98</b>	<b>\$2.13</b>	<b>\$2.22</b>



**4-Qt. Granite•Ware™ Basin**

Blue 'Ceramic on Steel'. Easy-to-clean, does not retain colors or odors.

**8241606X** Shelf Pack: 12  
Mfg. # F6432-12 | UPC: 072495064324

ADV	VP2	VP1
\$5.54	\$5.97	\$6.17
<b>\$4.99</b>	<b>\$5.37</b>	<b>\$5.55</b>



**15-Qt. Granite•Ware™ Dish Pan  
with Handles**

White 'Ceramic on Steel'. Easy-to-clean, does not retain colors or odors.

**8750598X** Shelf Pack: 4  
Mfg. # F6416-4 | UPC: 072495064164

ADV	VP2	VP1
\$15.96	\$17.12	\$17.84
<b>\$14.36</b>	<b>\$15.41</b>	<b>\$16.06</b>



**10-Qt. Granite•Ware™ Dish Pan**

Blue 'Ceramic on Steel'. Easy-to-clean, does not retain colors or odors.

**6410575X** Shelf Pack: 6  
Mfg. # F6414-6 | UPC: 072495064140

ADV	VP2	VP1
\$10.84	\$11.68	\$12.09
<b>\$9.75</b>	<b>\$10.51</b>	<b>\$10.88</b>



**Granite•Ware™ Deluxe Food Mill**

The food mill separates skins and seeds while removing pulp in one easy step. No need to remove the skins, the food mill does all the work for you. Includes 3 stainless steel grinding discs to create a variety of food textures: fine, medium, and coarse. Fits directly over mixing bowls or stockpots with 3 points of contact.

**6282800** Shelf Pack: 1  
Mfg. # F0722-4 | UPC: 072495007222

ADV	VP2	VP1
\$18.56	\$19.91	\$20.75
<b>\$16.71</b>	<b>\$17.93</b>	<b>\$18.68</b>



**2.2-Quart Stainless Steel  
Multi-Purpose Food Mill**

Stainless-steel food mill is a masher, ricer and a strainer that is ideal for sauces and purees. Comes apart for easy cleaning.

**7414782** Shelf Pack: 1  
Mfg. # 593 | UPC: 028901005931

ADV	VP2	VP1
\$15.13	\$16.22	\$16.91
<b>\$14.68</b>	<b>\$15.73</b>	<b>\$16.40</b>



**2-Quart Stainless Steel Deluxe Food Mill**

Comes apart for easy cleaning. Stainless bowl is ideal for hot foods and won't stain. Helper handle can rest on bowls. Use as a strainer (separates skins, fibers and seeds from purees), mash or rice.

**6284103** Shelf Pack: 1  
Mfg. # 595 | UPC: 028901005955

ADV	VP2	VP1
\$20.29	\$21.76	\$22.31
<b>\$19.68</b>	<b>\$21.11</b>	<b>\$21.64</b>

**T-fal**



**Canning Food Press with Wood Pestle**

Aluminum press and wire rack. Wooden pestle with rounded edge fits cone shape. Great for mashing fruits and vegetables.

**3870201Y** Shelf Pack: 3  
Mfg. # 9605000B | UPC: 072009001371

ADV	VP2	VP1
\$23.32	\$24.80	\$25.86
<b>\$20.99</b>	<b>\$22.32</b>	<b>\$23.27</b>



**5-Quart Stainless Steel Colander**

Durable stainless steel construction. Footed base to lift colander from draining fluids. Side handles. Satiny brushed steel exterior. Dishwasher safe.

**0497107Y** Shelf Pack: 3  
Mfg. # 21600 | UPC: 085455216008

ADV	VP2	VP1
\$9.77	\$10.47	\$10.91
<b>\$8.22</b>	<b>\$8.80</b>	<b>\$9.17</b>



**4-Quart Colander**

Works perfectly for rinsing fruits or vegetables and is safe with boiling water for draining pasta. Durable and break-resistant. Dishwasher safe.

**8094096X** Shelf Pack: 12  
Mfg. # 189 | UPC: 070652001892

ADV	VP2	VP1
\$2.12	\$2.28	\$2.38
<b>\$1.91</b>	<b>\$2.05</b>	<b>\$2.14</b>



**5-Quart Deep Colander**

Dishwasher safe. High gloss finish for easy clean up. White.

**0092007Y** Shelf Pack: 36  
Mfg. # 21311 | UPC: 085455213113

ADV	VP2	VP1
\$1.44	\$1.57	\$1.65
<b>\$1.29</b>	<b>\$1.41</b>	<b>\$1.48</b>



**1-Gallon Composter Crock**

Includes odor preventing filter in the lid. Sturdy stainless steel handle. Use to store organic kitchen waste. Easy to clean. White ceramic exterior.

**8118275** Shelf Pack: 1  
Mfg. # 93 | UPC: 028901000936

ADV	VP2	VP1
\$15.26	\$16.36	\$17.05
<b>\$14.80</b>	<b>\$15.87</b>	<b>\$16.54</b>



**2-Pack Compost Keeper Filter Refill**

Charcoal free filters can be rinsed. Keeps kitchen compost odorless. Fits most ceramic or stainless steel compost keepers.

**0098574** Shelf Pack: 1  
Mfg. # 93F | UPC: 028901100933

ADV	VP2	VP1
\$2.54	\$2.73	\$2.84
<b>\$2.46</b>	<b>\$2.65</b>	<b>\$2.75</b>



**2.5-Oz. Aluminum Funnel**

Aluminum funnel for canning and preserves.

**1667120X** Shelf Pack: 12  
Mfg. # 696 | UPC: 781723006967

ADV	VP2	VP1
\$1.74	\$1.88	\$1.96
<b>\$1.65</b>	<b>\$1.78</b>	<b>\$1.86</b>



**3" Collapsible Funnel**

**0496927X** Shelf Pack: 12  
Mfg. # 21653 | UPC: 085455216534

ADV	VP2	VP1
\$0.81	\$0.88	\$0.92
<b>\$0.73</b>	<b>\$0.79</b>	<b>\$0.83</b>



**5" Collapsible Funnel**

**0496935X** Shelf Pack: 12  
Mfg. # 21654 | UPC: 085455216541

ADV	VP2	VP1
\$1.06	\$1.16	\$1.22
<b>\$0.96</b>	<b>\$1.05</b>	<b>\$1.10</b>



**Plastic Canning Funnel**

Funnel size: 2.5" mouth x 4.75". Fits large or small jars. Handy hang-up handle.

**6941710Y** Shelf Pack: 12  
Mfg. # 607 | UPC: 028901006075

ADV	VP2	VP1
\$0.97	\$1.05	\$1.08
<b>\$0.94</b>	<b>\$1.02</b>	<b>\$1.05</b>



**4-Piece Plastic Funnel Set**

White plastic funnels in sizes 2", 3", 4" and 5".

**5909080Y** Shelf Pack: 12  
Mfg. # 20493 | UPC: 085455204937

ADV	VP2	VP1
\$0.99	\$1.07	\$1.12
<b>\$0.89</b>	<b>\$0.96</b>	<b>\$1.01</b>



**16-Oz. 6" Large Spout Plastic Funnel**

5-1/4" spout diameter. Nonslip gripper tabs.

**5760707X** Shelf Pack: 6  
Mfg. # 12302 | UPC: 070652123020

ADV	VP2	VP1
\$0.88	\$0.94	\$1.00
<b>\$0.80</b>	<b>\$0.85</b>	<b>\$0.91</b>





### 4-Oz. 3.5" Large Spout Plastic Funnel

3.5" spout diameter. Nonslip gripper tabs.

**0519868X** Shelf Pack: 12

Mfg. # 12102 | UPC: 070652001212

ADV	VP2	VP1
\$0.59	\$0.64	\$0.67
<b>\$0.54</b>	<b>\$0.58</b>	<b>\$0.61</b>



### Canning Funnel

Food safe polyethylene. Durable and unbreakable.

Dishwasher safe. Special funnel with large opening is perfect for transferring fruits and vegetables into jars.

**0519934X** Shelf Pack: 6

Mfg. # 01406 | UPC: 070652000147

ADV	VP2	VP1
\$1.05	\$1.13	\$1.18
<b>\$0.94</b>	<b>\$1.02</b>	<b>\$1.06</b>



### 4-Oz. Heavy-Duty Measuring Glass

For small liquid measurements.

Marked with tablespoons, teaspoons, ounces and milliliters. Dishwasher safe.

**0520163Y** Shelf Pack: 4

Mfg. # 00835 | UPC: 070652008358

ADV	VP2	VP1
\$1.73	\$1.87	\$1.95
<b>\$1.56</b>	<b>\$1.68</b>	<b>\$1.76</b>



### 1-Oz. Multi-Purpose Mini Measuring Glass

Measures teaspoons, tablespoons, ounces and milliliters. Dishwasher safe. High visibility.

**0538975X** Shelf Pack: 12

Mfg. # 13211BLK | UPC: 686497135106

ADV	VP2	VP1
\$2.04	\$2.20	\$2.29
<b>\$1.94</b>	<b>\$2.09</b>	<b>\$2.17</b>



### 4-Piece White Measuring Cup Set

Graduations in both metric and US units. Durable plastic construction. Dishwasher safe.

Includes: 1/4, 1/3, 1/2 and 1 cup sizes.

**9874918Y** Shelf Pack: 12

Mfg. # 20920 | UPC: 085455209208

ADV	VP2	VP1
\$0.92	\$1.00	\$1.05
<b>\$0.83</b>	<b>\$0.90</b>	<b>\$0.95</b>



### 2-Cup Clear Measuring Cup

Clear plastic for durability and ease of measuring. Both US and metric graduations. Easy to read graduations.

**5569447Y** Shelf Pack: 12

Mfg. # 20161 | UPC: 085455201615

ADV	VP2	VP1
\$0.96	\$1.04	\$1.08
<b>\$0.87</b>	<b>\$0.94</b>	<b>\$0.98</b>



### 1-Cup Clear Measuring Cup

Clear plastic for durability and ease of measuring. Both US and metric graduations. Easy to read graduations.

**9295742Y** Shelf Pack: 12

Mfg. # 20426 | UPC: 085455204265

ADV	VP2	VP1
\$0.75	\$0.81	\$0.84
<b>\$0.60</b>	<b>\$0.65</b>	<b>\$0.67</b>



### 1-Cup Clear Measuring Cup

Clear plastic for durability and ease of measuring. Both US and metric graduations. Easy to read graduations.

**7209927Y** Shelf Pack: 12

Mfg. # 20789 | UPC: 085455207891

ADV	VP2	VP1
\$0.96	\$1.04	\$1.08
<b>\$0.86</b>	<b>\$0.93</b>	<b>\$0.97</b>



### 8" Stainless Steel Kitchen Shear

Softgrip handle. Stainless steel blades. Dishwasher safe.

**4685921Y** Shelf Pack: 12

Mfg. # 21000 | UPC: 085455210006

ADV	VP2	VP1
\$1.46	\$1.58	\$1.66
<b>\$1.31</b>	<b>\$1.42</b>	<b>\$1.49</b>



### 4-Piece Stainless Steel Measuring Cup Set

Made of durable, heavy duty stainless steel. Strong, comfortable handles. Includes: 1/4, 1/3, 1/2 and 1 cup with metric equivalents.

**0794230YY** Shelf Pack: 6

Mfg. # 3052 | UPC: 028901030520

ADV	VP2	VP1
\$6.95	\$7.51	\$7.82
<b>\$6.74</b>	<b>\$7.29</b>	<b>\$7.59</b>



### 6-Piece White Measuring Spoon Set

Raised measurements. Durable plastic construction. Dishwasher safe. Includes: 1/8 tsp., 1/4 tsp., 1/2 tsp., 1 tsp., 1/2 tbsp., and 1 tbsp.

**5742721Y** Shelf Pack: 12

Mfg. # 20434 | UPC: 085455204340

ADV	VP2	VP1
\$0.75	\$0.81	\$0.84
<b>\$0.67</b>	<b>\$0.72</b>	<b>\$0.75</b>



### Jumbo Spatula

13.5" long. Thin blade. Sturdy handle. Top rack dishwasher safe.

**9889023Y** Shelf Pack: 12

Mfg. # 20163 | UPC: 085455201639

ADV	VP2	VP1
\$0.73	\$0.78	\$0.82
<b>\$0.66</b>	<b>\$0.71</b>	<b>\$0.74</b>



**1.5-Quart Nonskid  
Stainless Steel Mixing Bowl**

Nonskid bottom. High-quality stainless steel.  
Dishwasher safe.

**0497065Y** Shelf Pack: 3  
Mfg. # 21601 | UPC: 085455216015

ADV	VP2	VP1
\$4.57	\$4.90	\$5.11
<b>\$4.12</b>	<b>\$4.41</b>	<b>\$4.60</b>



**3-Quart Nonskid  
Stainless Steel Mixing Bowl**

Nonskid bottom. High-quality stainless steel.  
Dishwasher safe.

**0497073Y** Shelf Pack: 3  
Mfg. # 21602 | UPC: 085455216022

ADV	VP2	VP1
\$6.42	\$6.88	\$7.17
<b>\$5.78</b>	<b>\$6.19</b>	<b>\$6.45</b>



**8" Stainless Steel Whisk**

Durable stainless steel construction. Measures 8" in length. Loop on handle for hanging. Dishwasher safe.

**0496885Y** Shelf Pack: 12  
Mfg. # 26710 | UPC: 085455267109

ADV	VP2	VP1
\$0.95	\$1.02	\$1.08
<b>\$0.86</b>	<b>\$0.92</b>	<b>\$0.98</b>



**Aluminum Scoops**

Made of die-cast aluminum.  
Finger grooves in the handle.

**5-Oz. / 7" x 2.25" x 1.5"**  
**6267538Y** Shelf Pack: 12  
Mfg. # 9000 | UPC: 028901090005

ADV	VP2	VP1
\$2.45	\$2.65	\$2.76
<b>\$2.38</b>	<b>\$2.57</b>	<b>\$2.68</b>

**12-Oz. / 9" x 3" x 1.75"**  
**6267546Y** Shelf Pack: 6  
Mfg. # 9001 | UPC: 028901090012

ADV	VP2	VP1
\$3.00	\$3.24	\$3.38
<b>\$2.91</b>	<b>\$3.14</b>	<b>\$3.28</b>

**24-Oz. / 11" x 3.75" x 2"**  
**6267553Y** Shelf Pack: 12  
Mfg. # 9002 | UPC: 028901090029

ADV	VP2	VP1
\$5.18	\$5.60	\$5.84
<b>\$5.02</b>	<b>\$5.43</b>	<b>\$5.67</b>

**38-Oz. / 12.5" x 4.5" x 2.25"**  
**6267561Y** Shelf Pack: 6  
Mfg. # 9003 | UPC: 028901090036

ADV	VP2	VP1
\$6.92	\$7.46	\$7.71
<b>\$6.71</b>	<b>\$7.24</b>	<b>\$7.48</b>

**58-Oz. / 14.75" x 5.25" x 3"**  
**6267579Y** Shelf Pack: 20  
Mfg. # 9004 | UPC: 028901090043

ADV	VP2	VP1
\$9.59	\$10.35	\$10.70
<b>\$9.30</b>	<b>\$10.04</b>	<b>\$10.38</b>



**Stainless Steel Slotted Spoon**

Durable stainless steel construction. Comfort grip.  
Dishwasher safe.

**7454903Y** Shelf Pack: 12  
Mfg. # 12931 | UPC: 085455129315

ADV	VP2	VP1
\$1.57	\$1.69	\$1.77
<b>\$1.41</b>	<b>\$1.52</b>	<b>\$1.59</b>



**12" Stainless Steel Whisk**

Durable stainless steel construction.  
Measures 12" in length. Loop on handle for hanging. Dishwasher safe.

**9183203Y** Shelf Pack: 12  
Mfg. # 26712 | UPC: 085455267123

ADV	VP2	VP1
\$1.22	\$1.32	\$1.39
<b>\$1.10</b>	<b>\$1.19</b>	<b>\$1.25</b>



**3-Cup  
Stainless Steel  
Hand Crank Sifter**

Sifter has a  
2-wire agitator.

**6231757Y** Shelf Pack: 6  
Mfg. # 136 | UPC: 028901001360

ADV	VP2	VP1
\$4.89	\$4.90	\$5.10
<b>\$4.74</b>	<b>\$4.75</b>	<b>\$4.95</b>



**5-Cup  
Stainless Steel  
Hand Crank Sifter**

Sifter has a  
4-wire agitator.

**6231765Y** Shelf Pack: 8  
Mfg. # 137 | UPC: 028901001377

ADV	VP2	VP1
\$6.00	\$6.02	\$6.27
<b>\$5.82</b>	<b>\$5.84</b>	<b>\$6.08</b>



**3-Cup  
Stainless Steel  
Flour Sifter**

Made of durable stainless steel  
and fine, mesh screens. Simple squeeze handle for  
smooth, easy sifting. Holds 3 cups/24 ounces.

**9563230Y** Shelf Pack: 12  
Mfg. # 138 | UPC: 057517140101

ADV	VP2	VP1
\$7.15	7.74	\$8.05
<b>\$6.94</b>	<b>\$7.51</b>	<b>\$7.81</b>



**Cherry/Olive Pitter**

Removes pits easily with a squeeze of the handle. Place  
cherry or olive in holder with stem end up. Squeeze  
handle and the pit will drop through the hole. Locking  
device for compact storage.

**2411908Y** Shelf Pack: 6  
Mfg. # 5119 | UPC: 028901051198

ADV	VP2	VP1
\$6.32	\$6.77	\$7.06
<b>\$6.13</b>	<b>\$6.57</b>	<b>\$6.85</b>





**Prepworks® Bash 'n Chop**

Slice, chop, mince and scoop. Cutter features a 6" ruler for accurate measuring while slicing fruits and vegetables.

**5117155X** Shelf Pack: 6  
Mfg. # LGK-3620 | UPC: 078915221742

ADV	VP2	VP1
\$2.69	\$2.90	\$3.02
<b>\$2.61</b>	<b>\$2.81</b>	<b>\$2.93</b>



**Pea & Bean Sheller**

Shells most varieties of peas and beans without damage to edible portions. Tough nylon gears, steel construction and serrated rollers. Equipped with a hand crank and an upper shaft that adapts to your portable hand mixer (not included).

**6847297** Shelf Pack: 1  
Mfg. # 600-R | UPC: 050404006009

ADV	VP2	VP1
\$28.03	\$30.05	\$31.31
<b>\$26.92</b>	<b>\$28.86</b>	<b>\$30.07</b>



**Wood Corn Cutter**

Stainless cutters on hardwood base uniformly removes fresh kernels from cob. Processes both whole kernel and cream-style corn.

**6281034Y** Shelf Pack: 12  
Mfg. # 101 | UPC: 050404001011

ADV	VP2	VP1
\$6.05	\$6.49	\$6.76
<b>\$5.49</b>	<b>\$5.89</b>	<b>\$6.14</b>



**Stainless Steel Corner Cutter**

Uniformly removes fresh kernels from cob. Removes both whole kernel and cream-style corn. Made in the USA.

**6282511Y** Shelf Pack: 12  
Mfg. # 5402 | UPC: 028901054021

ADV	VP2	VP1
\$9.82	\$10.53	\$10.97
<b>\$8.82</b>	<b>\$9.46</b>	<b>\$9.85</b>



**10" Corn Cutter**

Cut kernels of corn from the cob in one easy downward motion. Cutter will expand or contract depending on the diameter of the ear of corn. Adjustable for any size corn cob.

**6434187X** Shelf Pack: 12  
Mfg. # 5403 | UPC: 028901054038

ADV	VP2	VP1
\$2.52	\$2.72	\$2.83
<b>\$2.44</b>	<b>\$2.64</b>	<b>\$2.75</b>



**Stainless Steel Fruit Peeler**

Capable for paring, coring and slicing, paring only or slicing and coring only. Tool grade cast aluminum frame. Screws to tighten onto counters up to 1-3/4" thick.

**6934616** Shelf Pack: 1  
Mfg. # 860 | UPC: 028901008604

ADV	VP2	VP1
\$11.08	\$11.88	\$12.39
<b>\$10.75</b>	<b>\$11.52</b>	<b>\$12.02</b>



**Vegetable Peeler**

Black nylon handle. Carbon steel blade. Double edge floating action blade.

**9101981Y** Shelf Pack: 12  
Mfg. # 20732 | UPC: 085455207327

ADV	VP2	VP1
\$0.69	\$0.74	\$0.78
<b>\$0.62</b>	<b>\$0.67</b>	<b>\$0.70</b>



**Grip-Ez Peeler**

Soft, comfortable santoprene handle. Ergonomically designed to fit well in either left or right hands.

**0411488Y** Shelf Pack: 6  
Mfg. # 110 | UPC: 028901001100

ADV	VP2	VP1
\$3.04	\$3.28	\$3.41
<b>\$2.95</b>	<b>\$3.18</b>	<b>\$3.31</b>



**Stainless Steel Vegetable Peeler**

Small compact size fits into either hand. Cuts effortlessly through all types of peels. Stainless steel blade. Dishwasher safe.

**1030824Y** Shelf Pack: 12  
Mfg. # 21529 | UPC: 085455215292

ADV	VP2	VP1
\$0.86	\$0.93	\$0.97
<b>\$0.77</b>	<b>\$0.83</b>	<b>\$0.87</b>



**8.25"**

**Stainless Steel Grater**

Soft, comfortable handle. Grates and slices with ease.

**7260003Y** Shelf Pack: 6  
Mfg. # 339 | UPC: 028901003395

ADV	VP2	VP1
\$3.61	\$3.89	\$4.06
<b>\$3.50</b>	<b>\$3.77</b>	<b>\$3.94</b>



**4-Sided Stainless Steel Grater**

Comfortable rounded handle. 9" x 4" x 3". Has fine, medium and coarse grating surfaces.

**9188590Y** Shelf Pack: 6  
Mfg. # 340 | UPC: 028901003401

ADV	VP2	VP1
\$6.45	\$6.96	\$7.25
<b>\$6.26</b>	<b>\$6.75</b>	<b>\$7.03</b>



**10" 3-Way Stainless Steel Flat Grater**

Features 3 slicing surfaces for medium or coarse grating and sharp blade for slicing. Easy to clean.

**1414630Y** Shelf Pack: 12  
Mfg. # 345 | UPC: 028901003456

ADV	VP2	VP1
\$5.93	\$6.40	\$6.67
<b>\$5.75</b>	<b>\$6.21</b>	<b>\$6.47</b>



**Stainless Steel  
Apple Slicer/Corer**

Cuts 8 perfect pieces every time. Slices and cores in one swoop. Wide plastic handles. Dishwasher safe.

**3520525Y** Shelf Pack: 12  
Mfg. # 20021 | UPC: 085455200212

ADV	VP2	VP1
\$1.33	\$1.44	\$1.51
<b>\$1.19</b>	<b>\$1.29</b>	<b>\$1.36</b>



**17.5" x 11"  
Plastic  
Cutting Board**

Textured board prevents food from slipping. Does not retain food odors. Made of safe, BPA free plastic. Dishwasher safe.

**0497230Y** Shelf Pack: 6  
Mfg. # 21554 | UPC: 085455215544

ADV	VP2	VP1
\$6.28	\$6.79	\$7.07
<b>\$5.65</b>	<b>\$6.11</b>	<b>\$6.36</b>



**12" x 15"  
Flexible Cutting Sheet**

Made of thick, flexible plastic that can easily move from cutting vegetables to pouring into a pot or pan. Top rack dishwasher safe. BPA free.

**0092023Y** Shelf Pack: 12  
Mfg. # 21296 | UPC: 085455212963

ADV	VP2	VP1
\$0.78	\$0.84	\$0.89
<b>\$0.70</b>	<b>\$0.76</b>	<b>\$0.80</b>



**Quackenbush Seafood  
and Nutcracker**

Chrome plated steel. Sturdy and durable. Comfortable grip. Cracks hard shells easily.

**4115978Y** Shelf Pack: 12  
Mfg. # 1701 | UPC: 041327072103

ADV	VP2	VP1
\$2.15	\$2.32	\$2.42
<b>\$2.03</b>	<b>\$2.19</b>	<b>\$2.29</b>



**50-Lb. Mechanical  
Portion Control Scale**

Removable stainless steel platform. Stainless steel spring and corrosion-resistant weighing mechanism. Angled dial. Shatterproof lens. Rotating dial.

**6589337Y** Shelf Pack: 4  
Mfg. # TS50 | UPC: 077784005002

ADV	VP2	VP1
\$39.20	\$41.65	\$43.40
<b>\$33.60</b>	<b>\$35.70</b>	<b>\$37.20</b>



**22-Lb. Kitchen Scale**

Slanted dial with bold, easy-to-read graphics. Scratch resistant crystal-clear lens and an extra-large dishwasher safe bowl.

**6276273Y** Shelf Pack: 6  
Mfg. # 3880 | UPC: 077784038802

ADV	VP2	VP1
\$12.08	\$12.83	\$13.36
<b>\$11.48</b>	<b>\$12.19</b>	<b>\$12.70</b>



**6-Lb. Silver  
Kitchen Scale**

Compact digital scale with glass weighing surface. 6.6-lb./3kg capacity, weighs in 0.1 oz./1g increments. Add and weigh with electronic tare feature. Auto shut off to preserve batteries.

**6554232Y** Shelf Pack: 4  
Mfg. # 3831S | UPC: 077784005859

ADV	VP2	VP1
\$12.38	\$13.28	\$13.84
<b>\$11.76</b>	<b>\$12.62</b>	<b>\$13.15</b>



**Reusable Jelly Strainer**

11.75" high, metal stand with reusable nylon bag.

**8681306Y** Shelf Pack: 3  
Mfg. # 5195 | UPC: 030734051955

ADV	VP2	VP1
\$4.62	\$4.99	\$5.20
<b>\$4.19</b>	<b>\$4.52</b>	<b>\$4.71</b>



**Replacement  
Jelly Strainer Bags  
with Elastic Band**

100% cotton. For straining jelly, fruits, juices or soups. Designed for use with Earthgrown jelly strainer or any other supporting or mounting device.

**0934802Y** Shelf Pack: 24  
Mfg. # 615 | UPC: 028901006150

ADV	VP2	VP1
\$3.23	\$3.24	\$3.38
<b>\$3.13</b>	<b>\$3.14</b>	<b>\$3.28</b>



**Cheese Cloth**

Made of 100% dense cotton. High quality, washable and reusable. Measures 2 square yards/16.7 square meters.

**3128592** Shelf Pack: 1  
Mfg. # 357 | UPC: 028901003579

ADV	VP2	VP1
\$3.03	\$3.28	\$3.42
<b>\$2.94</b>	<b>\$3.18</b>	<b>\$3.32</b>



**Small Can Colander**

Drains liquid from canned food, can also be used as a press for canned tuna.

**2260537X** Shelf Pack: 6  
Mfg. # GT-3973 | UPC: 078915046048

ADV	VP2	VP1
\$1.57	\$1.69	\$1.76
<b>\$1.52</b>	<b>\$1.64</b>	<b>\$1.71</b>



**5" White Mesh Strainer**

Stainless steel with durable plastic handle.

**0302976Y** Shelf Pack: 6  
Mfg. # 2135 | UPC: 028901021351

ADV	VP2	VP1
\$1.90	\$2.06	\$2.14
<b>\$1.84</b>	<b>\$2.00</b>	<b>\$2.08</b>



TAYLOR.



### Classic Freezer/Refrigerator Thermometer

Easy to read face. Temperature range of -20°F to 60°F or -20°C to 20°C. Plastic lens. With built-in clips or included suction cups.

**6289771Y** Shelf Pack: 6  
Mfg. # 5925N | UPC: 077784059258

ADV	VP2	VP1
\$1.71	\$1.81	\$1.89
<b>\$1.63</b>	<b>\$1.73</b>	<b>\$1.80</b>

TAYLOR.



### Pro Oven Guide Thermometer

Large face with easy-to-read zone guide references. Range 100°F to 600°F. Hangs or stands for secure placement in oven. Durable stainless steel construction. Dishwasher safe.

**6289763Y** Shelf Pack: 6  
Mfg. # 5921N | UPC: 077784059210

ADV	VP2	VP1
\$6.16	\$6.53	\$6.80
<b>\$4.11</b>	<b>\$4.35</b>	<b>\$4.53</b>

TAYLOR.



### Refrigerator-Freezer Thermometer

Extra large 3-1/4" dial. Accurate from -20° to 80°F and -20° to 20°C. Safe temperature zone indicators. Hangs or stands. NSF listed.

**6257877Y** Shelf Pack: 6  
Mfg. # 5924 | UPC: 077784059241

ADV	VP2	VP1
\$2.28	\$2.42	\$2.52
<b>\$2.17</b>	<b>\$2.30</b>	<b>\$2.39</b>

TAYLOR.



### Oven Thermometer

Extra large, colorful 3-1/4" dial. Accurate from 100° to 600°F and 50° to 300°C. Durable stainless steel. Hangs or stands. NSF listed.

**6289789Y** Shelf Pack: 6  
Mfg. # 5932 | UPC: 077784059326

ADV	VP2	VP1
\$2.28	\$2.42	\$2.51
<b>\$2.17</b>	<b>\$2.30</b>	<b>\$2.38</b>



### 6" Mesh Strainer

Stainless steel mesh with durable heavy-duty white plastic rim and handle. Great for draining cans. Attachments to easily set on side of sink.

**6" 1030840Y** Shelf Pack: 12  
Mfg. # 21389 | UPC: 085455213892

ADV	VP2	VP1
\$1.86	\$2.01	\$2.10
<b>\$1.68</b>	<b>\$1.82</b>	<b>\$1.90</b>

**8" 1030832Y** Shelf Pack: 36  
Mfg. # 21491 | UPC: 0085455214912

ADV	VP2	VP1
\$2.70	\$2.92	\$3.04
<b>\$2.43</b>	<b>\$2.63</b>	<b>\$2.73</b>



### White Mesh Strainer

Stainless steel strainer with durable plastic handle. Center drip strainer for rinsing and draining.

**6" 5310354Y** Shelf Pack: 6  
Mfg. # 2136 | UPC: 028901021368

ADV	VP2	VP1
\$2.56	\$2.75	\$2.86
<b>\$2.48</b>	<b>\$2.67</b>	<b>\$2.77</b>

**8" 9441585Y** Shelf Pack: 6  
Mfg. # 2138 | UPC: 028901021382

ADV	VP2	VP1
\$3.25	\$3.48	\$3.63
<b>\$3.15</b>	<b>\$3.38</b>	<b>\$3.52</b>



### 3-Quart Sauce Master

For vegetables, fruits and purees. Includes recipe and instruction booklet. 8" diameter x 3" deep hopper.

**2551745** Shelf Pack: 1  
Mfg. # 1951 | UPC: 028901019518

ADV	VP2	VP1
\$36.93	\$39.62	\$41.31
<b>\$35.82</b>	<b>\$38.43</b>	<b>\$40.07</b>



### Tomato Press

Separates seeds and skins from soft fruits and vegetables. Extra-large, approximately 1 gallon capacity hopper. Easy turn handle. Includes one multi-purpose stainless steel screen for apples and tomatoes. Stays in place on counter with suction cup mounting.

**9218488** Shelf Pack: 1  
Mfg. # 07-0801 | UPC: 834742008679

ADV	VP2	VP1
\$46.20	\$49.56	\$51.66
<b>\$41.53</b>	<b>\$44.55</b>	<b>\$46.43</b>



### Digital Timer

1 second to 99 minute countdown timer. Magnet on back to attach to your refrigerator. Clip on back to attach to your belt. Stand for easy viewing on countertops.

**3141264Y** Shelf Pack: 12  
Mfg. # 21239 | UPC: 085455212390

ADV	VP2	VP1
\$1.45	\$1.56	\$1.63
<b>\$1.30</b>	<b>\$1.40</b>	<b>\$1.46</b>

TAYLOR.



### Taylor® Large Number Timer

Times up to 60 minutes. Long ring. Bold numerals are easy to read from a distance.

**6410047Y** Shelf Pack: 6  
Mfg. # 5831N | UPC: 077784058312

ADV	VP2	VP1
\$2.83	\$3.05	\$3.18
<b>\$2.69</b>	<b>\$2.90</b>	<b>\$3.03</b>

TAYLOR.



**Taylor® Digital Compact Timer**

Minute/second timing. .7" LCD readout. Counts up or counts down. Clip/magnet/stand positioning. Includes: (1) AAA battery.

**6410104Y** Shelf Pack: 6  
Mfg. # 5806 | UPC: 077784058060

ADV	VP2	VP1
\$2.83	\$3.05	\$3.18
<b>\$2.69</b>	<b>\$2.90</b>	<b>\$3.03</b>

TAYLOR.



**Taylor® Mini Digital Timer**

Compact, slim design. Extra large 1" readout. Times up to 99 minutes, 59 seconds. Counts up and down. Magnet on back.

**6554356Y** Shelf Pack: 3  
Mfg. # 5842N15 | UPC: 077784058428

ADV	VP2	VP1
\$2.82	\$3.05	\$3.18
<b>\$2.66</b>	<b>\$2.88</b>	<b>\$3.00</b>

TAYLOR.



**Taylor® Digital Timer with Jumbo Readout**

1.6" readout. Counts up and down. Memory function to recall last time set. Loud alarm. Times up to 99 minutes, 59 seconds. Includes 1 button cell battery.

**6554364Y** Shelf Pack: 6  
Mfg. # 5896 | UPC: 077784010365

ADV	VP2	VP1
\$6.40	\$6.87	\$7.15
<b>\$4.44</b>	<b>\$4.76</b>	<b>\$4.96</b>



**60 Minute Timer**

Easy to read and use. Accurately measures time from one minute to one hour. Includes a longer ring.

**6170864Y** Shelf Pack: 12  
Mfg. # 1470 | UPC: 028901014704

ADV	VP2	VP1
\$4.90	\$4.91	\$5.11
<b>\$4.75</b>	<b>\$4.76</b>	<b>\$4.96</b>

PRESTO



**Presto® Professional EverSharp® Three Stage Electric Knife Sharper**

Fast and easy way to sharpen kitchen and sp knives. Adjustable blade selector. Simply draw through each slot a few times.

**4424172** Shelf Pack: 1  
Mfg. # 08810 | UPC: 075741088105

ADV	VP2	VP1
\$40.84	\$43.78	\$45.62
<b>\$38.80</b>	<b>\$41.59</b>	<b>\$43.34</b>





**FoodSaver® FM2000  
Vacuum Sealing System**

Keeps food fresh. Space-saving design with easy latch and lock operation. Includes: (3) quart bags, (2) gallon bags, 11" x 10' roll and accessory hose.

**6877278** Shelf Pack: 1  
Mfg. # FM2000-000 | UPC: 053891103602

ADV	VP2	VP1
\$64.58	\$68.69	\$71.63
<b>\$61.35</b>	<b>\$65.25</b>	<b>\$68.04</b>



**FoodSaver®  
FM2100 Vacuum Sealing System**

Keeps food fresh. Latch and lock operation. Convenient roll storage and roll cutter. Includes: (3) quart bags, (2) gallon bags, 11" x 10' roll and accessory hose.

**7019995** Shelf Pack: 1  
Mfg. # FM2100-000 | UPC: 053891108034

ADV	VP2	VP1
\$80.73	\$85.87	\$89.54
<b>\$76.69</b>	<b>\$81.58</b>	<b>\$85.06</b>



**Seal-A-Meal® Vacuum Sealer**

Press/hold release system. Hands-free and seal indicator lights. Fits 8", 11", quart and gallon heat-seal bags and rolls.

**6340202** Shelf Pack: 1  
Mfg. # FSSMSLO160-000 | UPC: 048894046148

ADV	VP2	VP1
\$31.69	\$33.71	\$35.15
<b>\$30.11</b>	<b>\$32.03</b>	<b>\$33.39</b>



**FoodSaver® Bags**

Protects food from freezer burn. For use in refrigerator or freezer. Simmer and microwave safe. Works with FoodSaver® heat-Seal vacuum sealing systems.

**1-Pint 28-Pack 8797136Y** Shelf Pack: 4  
Mfg. # FSFSBF0116-P00 | UPC: 053891101905

ADV	VP2	VP1
\$7.03	\$7.53	\$7.85
<b>\$6.67</b>	<b>\$7.15</b>	<b>\$7.45</b>

**1-Quart 20-Pack 8797144Y** Shelf Pack: 4  
Mfg. # FSFSBF0216-P00 | UPC: 053891101882

ADV	VP2	VP1
\$7.03	\$7.53	\$7.85
<b>\$6.67</b>	<b>\$7.15</b>	<b>\$7.45</b>

**1-Gallon 13-Pack 8797128** Shelf Pack: 1  
Mfg. # FSFSBF0316-P00 | UPC: 053891101998

ADV	VP2	VP1
\$7.03	\$7.53	\$7.85
<b>\$6.67</b>	<b>\$7.15</b>	<b>\$7.45</b>



**FoodSaver®  
Bag Roll**

Create custom-sized bags to package and protect food and non-food items. Simmer and microwave safe. Works with FoodSaver® heat-seal vacuum sealing system.

**8" x 20' 7020027Y** Shelf Pack: 6  
Mfg. # FSFSBF0516-P00 | UPC: 053891102018

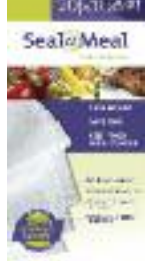
ADV	VP2	VP1
\$7.03	\$7.53	\$7.85
<b>\$6.67</b>	<b>\$7.15</b>	<b>\$7.45</b>

**11" x 16' 7020019Y** Shelf Pack: 6  
Mfg. # FSFSBF0616-P00 | UPC: 053891102056

ADV	VP2	VP1
\$7.03	\$7.53	\$7.85
<b>\$6.67</b>	<b>\$7.15</b>	<b>\$7.45</b>

**11" x 16' 2 Pack 7020001Y** Shelf Pack: 4  
Mfg. # FSFSBF0626-P00 | UPC: 053891102087

ADV	VP2	VP1
\$13.76	\$14.64	\$15.26
<b>\$13.07</b>	<b>\$13.90</b>	<b>\$14.49</b>



**1-Quart 20-Pack  
Seal-A-Meal®  
Food Sealer Bags**

Protects food from freezer burn. For use in refrigerator or freezer. Safe to use in the microwave or boil-in-the-bag heating. Multi-layer protection. Works with Seal-A-Meal vacuum food sealer

**6877237** Shelf Pack: 1  
Mfg. # FSSMBF0216-000P | UPC: 048894031410

ADV	VP2	VP1
\$6.81	\$7.29	\$7.60
<b>\$6.47</b>	<b>\$6.92</b>	<b>\$7.22</b>



**2-Pack 11" x 9'  
Seal-A-Meal®  
Food Sealer Bag Roll**

Protects food from freezer burn. For use in refrigerator or freezer. Safe to use in the microwave or boil-in-the-bag heating. Multi-layer protection. Works with Seal-A-Meal vacuum food sealer.

**4164059** Shelf Pack: 1  
Mfg. # FSSMBF0626-000 | UPC: 048894031403

ADV	VP2	VP1
\$6.81	\$7.29	\$7.60
<b>\$6.47</b>	<b>\$6.92</b>	<b>\$7.22</b>



**Professional Advantage Vacuum Sealer**

Seals bags up to 11" wide. Stylish black design with brushed stainless steel lid.

**5113626** Shelf Pack: 1  
Mfg. # 65-0501-W | UPC: 810671031865

ADV	VP2	VP1
\$165.67	\$174.79	\$180.87
<b>\$141.43</b>	<b>\$149.21</b>	<b>\$154.40</b>



**100-Count Quart  
Vacuum Bags**

8" x 12" pre-cut quart sized vacuum bags. Perfect for storing and/or marinating small portions of foods.

**6207229** Shelf Pack: 1  
Mfg. # 30-0101-W | UPC: 834742007320

ADV	VP2	VP1
\$21.65	\$23.21	\$24.18
<b>\$15.82</b>	<b>\$16.96</b>	<b>\$17.67</b>



**100-Count Gallon  
Vacuum Bags**

11" x 16" pre-cut gallon sized vacuum bags. Perfect for storing and/or marinating larger portions of foods.

**0992669** Shelf Pack: 1  
Mfg. # 30-0102-W | UPC: 834742007313

ADV	VP2	VP1
\$37.40	\$40.12	\$41.82
<b>\$28.05</b>	<b>\$30.09</b>	<b>\$31.37</b>





**37th Edition Ball®  
Blue Book of Preserving**

Featuring step-by-step recipe format and all new color photography. Contains helpful tips, instructions on canning techniques, ingredient preparation, meal options and more.

**9376252Y** Shelf Pack: 12  
Mfg. # 1440021411 | UPC: 014400214110

ADV	VP2	VP1
\$6.29	\$6.75	\$7.04
<b>\$5.97</b>	<b>\$6.41</b>	<b>\$6.68</b>



**4.7-Oz. Ball®  
RealFruit® Pectin**

Makes healthy lower-calorie jam. Scalable recipe allows you to make 1-10 jars of jam per batch. Makes up to 22 half-pint jars per package.

**2360089X** Shelf Pack: 12  
Mfg. # 1440071265 | UPC: 014400712654

ADV	VP2	VP1
\$3.44	\$3.69	\$3.84
<b>\$3.27</b>	<b>\$3.51</b>	<b>\$3.65</b>



**2-Pack Ball® RealFruit™  
Liquid Pectin**

Formulated for a better set! Try pre-measured, no-fuss convenience with the consistent results you'd expect with Ball® RealFruit™ Liquid Pectin. Contains (2) 3-ounce pouches. Recipes and instructions are inside the package.

**6180558X** Shelf Pack: 12  
Mfg. # 71400 | UPC: 014400714009

ADV	VP2	VP1
\$2.49	\$2.68	\$2.77
<b>\$2.37</b>	<b>\$2.55</b>	<b>\$2.63</b>



**32-Oz. Ball®  
Pickling Salt in Pouch**

Pure canning and pickling salt has no additives or anti-caking ingredients to darken pickles or cloud pickling liquid. Now in a convenient 32-ounce pouch.

**285848X** Shelf Pack: 6  
Mfg. # 52750 | UPC: 014400527500

ADV	VP2	VP1
\$1.94	\$2.08	\$2.17
<b>\$1.84</b>	<b>\$1.97</b>	<b>\$2.06</b>



**5.5-Oz. Ball®  
Pickle Crisp® Granules**

Easy-to-use product that makes pickles crisp without the cumbersome process of soaking.

**2360220** Shelf Pack: 8  
Mfg. # 1440072750 | UPC: 014400727504

ADV	VP2	VP1
\$4.02	\$4.31	\$4.53
<b>\$3.82</b>	<b>\$4.10</b>	<b>\$4.31</b>



**4.7-Oz. Ball® RealFruit™  
Classic Pectin**

With a little fruit, make fresh jam! RealFruit™ Classic Flex Batch Pectin is perfect for making great-tasting traditional jams, now with reduced-sugar recipe included.

**7069149X** Shelf Pack: 12  
Mfg. # 71065 | UPC: 014400710650

ADV	VP2	VP1
\$3.44	\$3.69	\$3.84
<b>\$3.27</b>	<b>\$3.51</b>	<b>\$3.65</b>



**12-Oz. Ball® Pickle Mixes**

Includes Ball® Pickle Crisp® Granules for crunchier pickles! Homemade crunchy pickles have never been easier! No need to waste time with pickling lime and hassle with soaking cucumbers to make crisp pickles. Makes up to 13-14 quarts.

**Kosher Dill 4045506X** Shelf Pack: 6  
Mfg. # 72405 | UPC: 014400724053

**Bread & Butter 2513968X** Shelf Pack: 6  
Mfg. # 72505 | UPC: 014400725050

ADV	VP2	VP1
\$3.89	\$4.17	\$4.34
<b>\$3.70</b>	<b>\$3.97</b>	<b>\$4.13</b>



**4.7-Oz. Ball® RealFruit™ Instant Pectin**

Homemade, no-cook jam has never tasted better. Ball® Brand RealFruit™ Instant Flex Batch Pectin is the perfect way to make homemade jam in under 30 minutes.

**4641981X** Shelf Pack: 12  
Mfg. # 71365 | UPC: 014400713651

ADV	VP2	VP1
\$3.44	\$3.69	\$3.84
<b>\$3.27</b>	<b>\$3.51</b>	<b>\$3.65</b>



**7.5-Oz. Ball® Citric Acid**

This product provides a pantry-ready alternative to lemon juice when canning tomatoes. Citric acid lowers the pH without changing the tomato flavor like lemon juice. Citric acid is called for in 90% of USDA tomato recipes. This bottle will can up to 77 quarts of tomatoes. Keep your tomatoes tasting like tomatoes!

**2359990X** Shelf Pack: 12  
Mfg. # 55000 | UPC: 014400550003

ADV	VP2	VP1
\$3.19	\$3.42	\$3.57
<b>\$3.04</b>	<b>\$3.25</b>	<b>\$3.40</b>



**6.7-Oz. Ball® Fiesta Salsa Mix**

Better tasting, fresh salsa is simple to make with Ball® Brand Fiesta Salsa Mix. Simply add fresh, vine-ripened or canned tomatoes, and mix with a splash of vinegar for perfect salsa every time. This formulation is packed with vegetables and savory spices. Makes up to 8 pints.

**0987891X** Shelf Pack: 6  
Mfg. # 72105 | UPC: 014400721052

ADV	VP2	VP1
\$3.89	\$4.17	\$4.34
<b>\$3.70</b>	<b>\$3.97</b>	<b>\$4.13</b>



**Mrs. Wages® Home Canning Guide**

Guide brings step-by-step instructions for preserving your favorite garden produce. This guide will walk you through more than 120 tested recipes for old-time favorites and updated versions of these classics with recipes for low-sugar and sugar-free preserves.

**9759317X** Shelf Pack: 12  
Mfg. # 0103-J4255 | UPC: 072058220907



ADV	VP2	VP1
\$7.76	\$8.37	\$8.72
<b>\$7.45</b>	<b>\$8.04</b>	<b>\$8.37</b>



**7.4-Oz. Mrs. Wages® Spiced Peaches Fruit Mix**

Enhance your fresh picked peaches with mix. Packet makes 6 quarts.

**9759283X** Shelf Pack: 12  
Mfg. # W804-H4425 | UPC: 072058609559



ADV	VP2	VP1
\$2.33	\$2.52	\$2.62
<b>\$2.11</b>	<b>\$2.28</b>	<b>\$2.37</b>



**5-Oz. Mrs. Wages® Spiced Apple Mix**

Create homemade apple sauce, apple butter or apple slices. Makes 3 quarts.

**9759242X** Shelf Pack: 12  
Mfg. # W800-J4425 | UPC: 072058609405



ADV	VP2	VP1
\$2.33	\$2.52	\$2.62
<b>\$2.11</b>	<b>\$2.28</b>	<b>\$2.37</b>



**4-Oz. Mrs. Wages® Forest Berry Pie Filling Mix**

Enhance your fresh picked cherries, blueberries, raspberries and blackberries with mix. Packet makes 3 quarts.

**9759291X** Shelf Pack: 12  
Mfg. # W803-J7425 | UPC: 072058609535



ADV	VP2	VP1
\$2.33	\$2.52	\$2.62
<b>\$2.11</b>	<b>\$2.28</b>	<b>\$2.37</b>



**3.9-Oz. Mrs. Wages® Fruit Pie Filling Mix**

Enhance your fresh picked apples, peaches and pears. Packet makes 3 quarts.

**9759275X** Shelf Pack: 12  
Mfg. # W801-J4425 | UPC: 072058609412



ADV	VP2	VP1
\$2.33	\$2.52	\$2.62
<b>\$2.11</b>	<b>\$2.28</b>	<b>\$2.37</b>



**1-Oz. Mrs. Wages® Pumpkin Pie Filling**

Enhance your fresh picked pumpkins with this All Natural Pumpkin Pie Filling Mix. Freeze it, serve or create delicious pumpkin pies. Makes 4 cups.

**9759473X** Shelf Pack: 12  
Mfg. # W805-J8425 | UPC: 072058609542



ADV	VP2	VP1
\$1.57	\$1.68	\$1.77
<b>\$1.42</b>	<b>\$1.52</b>	<b>\$1.60</b>



**7.85-Oz. Mrs. Wages® Pepper Jelly Kit**

Kit is a complete mix kit for making that special pepper jelly. Complete with pectin and spices. Contains 2.5 oz. of pepper jelly mix and 5.2 oz. pectin blend.

**9759309X** Shelf Pack: 6  
Mfg. # W806-D9425 | UPC: 072058609566



ADV	VP2	VP1
\$5.14	\$5.55	\$5.79
<b>\$4.63</b>	<b>\$5.00</b>	<b>\$5.21</b>



**1.75-Oz. Mrs. Wages® Fruit Pectin Home Jell®**

A fruit pectin used in making homemade jams and jellies.

**Regular 9759226X** Shelf Pack: 12  
Mfg. # W596-H3425 | UPC: 072058746810

**Lite 9759218X** Shelf Pack: 12  
Mfg. # W595-H3425 | UPC: 072058746827



ADV	VP2	VP1
\$2.06	\$2.25	\$2.34
<b>\$1.86</b>	<b>\$2.03</b>	<b>\$2.11</b>

**YOUR CHOICE**



**6-Oz. Mrs. Wages® Fresh Fruit Preserver**

Preserves color and flavor in fruits and prevents browning. Makes light, medium or heavy syrup for freezing and canning fresh fruits.

**9759192X** Shelf Pack: 12  
Mfg. # W589-H5425 | UPC: 072058205867



ADV	VP2	VP1
\$3.15	\$3.40	\$3.54
<b>\$2.84</b>	<b>\$3.06</b>	<b>\$3.19</b>



**1.59-Oz. Mrs. Wages® No Cook Freezer Jam Fruit Pectin**

Cooking is not required. Make and enjoy instantly, store in the refrigerator for up to 3 weeks or store in the freezer for up to 1 year. Packet makes 5.5 pints.

**9759234X** Shelf Pack: 12  
Mfg. # W599-H3425 | UPC: 072058606923



ADV	VP2	VP1
\$1.62	\$1.74	\$1.82
<b>\$1.46</b>	<b>\$1.56</b>	<b>\$1.64</b>





**3.88-Oz. Mrs. Wages®  
Sweet Pickle Relish**

This mix contains natural herbs and spices, just add vinegar and sugar to create this delicious sweet pickle relish. Each pack makes 5 pints.

**9759184X** Shelf Pack: 12  
Mfg. # W660-J4425 | UPC: 072058609962

ADV	VP2	VP1
\$2.33	\$2.52	\$2.62
<b>\$2.24</b>	<b>\$2.42</b>	<b>\$2.52</b>



**6.2-Oz. Mrs. Wages®  
Quick Process Zesty  
Bread & Butter Pickles**

A hint of jalapeno, green and red bell peppers enhances the herbs and spices that give this zesty pickle mix a little kick and full flavor. Each pack makes 7 quarts.

**9759176X** Shelf Pack: 12  
Mfg. # W659-J6425 | UPC: 072058609955

ADV	VP2	VP1
\$2.33	\$2.52	\$2.62
<b>\$2.24</b>	<b>\$2.42</b>	<b>\$2.52</b>



**1.75-Oz. Mrs. Wages®  
Mixed Pickling Spice**

Use for all homemade pickles and relishes, and as a seasoning for boiled vegetables, shellfish, pork or beef.

**9759366X** Shelf Pack: 12  
Mfg. # W592-H3425 | UPC: 072058948016

ADV	VP2	VP1
\$2.33	\$2.52	\$2.62
<b>\$2.11</b>	<b>\$2.28</b>	<b>\$2.37</b>



**16-Oz. Mrs. Wages®  
Pickling Lime**

For pickling cucumbers the old-fashioned way for extra crispness and flavor.

**9759325X** Shelf Pack: 6  
Mfg. # W502-D3425 | UPC: 072058646820

ADV	VP2	VP1
\$2.78	\$2.99	\$3.11
<b>\$2.67</b>	<b>\$2.87</b>	<b>\$2.98</b>



**3-Lb. Mrs. Wages®  
Pickling &  
Canning Salt**

This high-purity salt produces a sparkling clear brine and is specifically designed for food canning. It has no iodine or other additives.

**9759333X** Shelf Pack: 6  
Mfg. # W510-B4425 | UPC: 072058846824

ADV	VP2	VP1
\$2.65	\$2.86	\$2.98
<b>\$2.55</b>	<b>\$2.75</b>	<b>\$2.87</b>



**1-Gallon Mrs. Wages®  
Pickling and  
Canning Vinegar**

Formulated to the recommended 5% acidity for safe pickling and canning.

**9759341X** Shelf Pack: 4  
Mfg. # W654-B3425 | UPC: 072058608248

ADV	VP2	VP1
\$3.15	\$3.40	\$3.54
<b>\$3.02</b>	<b>\$3.26</b>	<b>\$3.40</b>

**Mrs. Wages® Quick Process Pickle Mixes**

This mix contains natural herbs and spices, just add vinegar and water through the canning process. Each pack makes 7 quarts of crisp, crunchy pickles.

**6.5-Oz. Medium Spicy 9759168X** Shelf Pack: 12  
Mfg. # W658-J7425 | UPC: 072058609948

**6.5-Oz. Kosher Dill 9759127X** Shelf Pack: 12  
Mfg. # W622-J7425 | UPC: 072058603250

**6.5-Oz. Dill 9759119X** Shelf Pack: 12  
Mfg. # W621-J7425 | UPC: 072058603243

**5.3-Oz. Bread & Butter 9759101X** Shelf Pack: 12  
Mfg. # W620-J7425 | UPC: 072058603236

ADV	VP2	VP1
\$2.33	\$2.52	\$2.62
<b>\$2.19</b>	<b>\$2.37</b>	<b>\$2.47</b>

**6.5-Oz. Polish Dill 9759135X** Shelf Pack: 12  
Mfg. # W623-J7425 | UPC: 072058603267

**6.5-Oz. Hot Spicy 9759150X** Shelf Pack: 12  
Mfg. # W655-J7425 | UPC: 072058608323

**5.3-Oz. Sweet Pickle 9759143X** Shelf Pack: 12  
Mfg. # W624-J7425 | UPC: 072058603274

ADV	VP2	VP1
\$2.33	\$2.52	\$2.62
<b>\$2.24</b>	<b>\$2.43</b>	<b>\$2.52</b>

**Mrs. Wages® Refrigerator Pickle Mixes**

Preparation is slightly faster and easier than Quick Process pickles. Just make and store in the refrigerator. Pickles are ready to eat 24 hours after preparation. Makes 4 pints of pickles.

**1.85-Oz. Medium Spicy 9759564X** Shelf Pack: 12  
Mfg. # W658-H3425 | UPC: 072058611590

ADV	VP2	VP1
\$1.57	\$1.69	\$1.76
<b>\$1.51</b>	<b>\$1.62</b>	<b>\$1.69</b>

**1.94-Oz. Kosher Dill 9759507X** Shelf Pack: 12  
Mfg. # W626-DG425 | UPC: 072058947026

**1.94-Oz. Polish Dill 9759515X** Shelf Pack: 12  
Mfg. # W627-DG425 | UPC: 072058947033

**1.94-Oz. Bread & Butter 9759499X** Shelf Pack: 12  
Mfg. # W625-DG425 | UPC: 072058947040

**1.94-Oz. Sweet Pickle 9759523X** Shelf Pack: 12  
Mfg. # W628-DG425 | UPC: 072058947019

ADV	VP2	VP1
\$1.57	\$1.69	\$1.76
<b>\$1.48</b>	<b>\$1.60</b>	<b>\$1.66</b>





**Mrs. Wages® Refrigerator or Canning Mixes**

Made with premium ingredients and absolutely no fillers. Use the canning preparation method to preserve summer's bounty or take advantage of the quick refrigerator prep.

**1.3-Oz. Pickled Beets 9759556X** Shelf Pack: 12  
Mfg. # W612-J2425 | UPC: 072058601737

**1.44-Oz. Pickled Vegetables 9759549X** Shelf Pack: 12  
Mfg. # W611-J2425 | UPC: 072058601720

**1.66-Oz. Dilled Green Beans 9759531X** Shelf Pack: 12  
Mfg. # W610-J2425 | UPC: 072058601713

ADV	VP2	VP1	
\$1.57	\$1.69	\$1.76	<b>YOUR CHOICE</b>
<b>\$1.48</b>	<b>\$1.60</b>	<b>\$1.66</b>	



**4-Oz. Mrs. Wages® Salsa Tomato Mixes**

Contains just the right spices to use with fresh or canned tomatoes for a salsa you're sure to make again and again. Makes 5 pints and is ready to eat 24 hours after preparation.

**Mild 9759481X** Shelf Pack: 12  
Mfg. # W664-J7425 | UPC: 072058613990

ADV	VP2	VP1
\$2.31	\$2.49	\$2.60
<b>\$2.20</b>	<b>\$2.37</b>	<b>\$2.47</b>

**Medium 9759390X** Shelf Pack: 12  
Mfg. # W536-J7425 | UPC: 072058957575

ADV	VP2	VP1
\$2.33	\$2.52	\$2.62
<b>\$2.19</b>	<b>\$2.37</b>	<b>\$2.47</b>

**Hot 9759416X** Shelf Pack: 12  
Mfg. # W753-J7425 | UPC: 072058957599

ADV	VP2	VP1
\$2.33	\$2.52	\$2.62
<b>\$2.19</b>	<b>\$2.37</b>	<b>\$2.47</b>



**5-Oz. Mrs. Wages®**

**Ketchup Tomato Mix**

Use this mix, containing just the right spices with fresh or canned tomatoes, or tomato juice, for a mouth-watering ketchup that will surely delight your family. Makes 5 pints. Ready to eat in 24 hours after preparation.

**9759457X** Shelf Pack: 12  
Mfg. # W541-J4425 | UPC: 072058957544

ADV	VP2	VP1
\$2.33	\$2.52	\$2.62
<b>\$2.24</b>	<b>\$2.42</b>	<b>\$2.52</b>



**5-Oz. Mrs. Wages®**

**Pasta Sauce Mix**

Use this mix, containing just the right spices with fresh or canned tomatoes, or tomato paste, for a spectacular sauce. Makes 5 pints. Ready to eat in 24 hours after preparation.

**9759424X** Shelf Pack: 12  
Mfg. # W538-J4425 | UPC: 072058957506

ADV	VP2	VP1
\$2.33	\$2.52	\$2.62
<b>\$2.19</b>	<b>\$2.37</b>	<b>\$2.47</b>

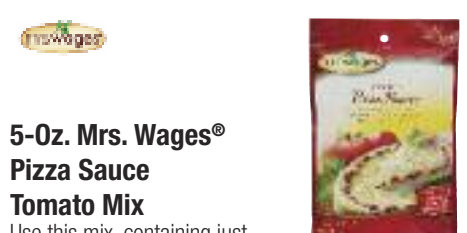


**5-Oz. Mrs. Wages®**  
**Chili Base Tomato**

Use this mix, containing just the right spices with fresh or canned tomatoes, or tomato paste, for chili. Makes 5 pints and is ready to eat 24 hours after preparation.

**9759432X** Shelf Pack: 12  
Mfg. # W537-J4425 | UPC: 072058957513

ADV	VP2	VP1
\$2.33	\$2.52	\$2.62
<b>\$2.24</b>	<b>\$2.43</b>	<b>\$2.52</b>



**5-Oz. Mrs. Wages®**  
**Pizza Sauce**

**Tomato Mix**

Use this mix, containing just the right spices with fresh or canned tomatoes, or tomato paste and give your pizza pizzazz. Makes 5 pints and is ready to eat 24 hours after preparation.

**9759440X** Shelf Pack: 12  
Mfg. # W539-J4425 | UPC: 072058957520

ADV	VP2	VP1
\$2.33	\$2.52	\$2.62
<b>\$2.24</b>	<b>\$2.43</b>	<b>\$2.52</b>



**5-Oz. Mrs. Wages®**  
**Citric Acid**

Mrs. Wages Citric Acid will increase the acidity of home canned tomatoes when prepared by the boiling water process. Contents of this package will process approximately 50 quarts of tomatoes.

**9759382X** Shelf Pack: 12  
Mfg. # W590-J4425 | UPC: 072058146801

ADV	VP2	VP1
\$2.78	\$2.99	\$3.11
<b>\$2.50</b>	<b>\$2.69</b>	<b>\$2.80</b>



**1.9-Oz. Mrs. Wages® Alum**

Use to add extra crispness to pickles, watermelon rinds and cherries.

**9759358X** Shelf Pack: 12  
Mfg. # W653-DG425 | UPC: 072058608231

ADV	VP2	VP1
\$1.69	\$1.83	\$1.91
<b>\$1.53</b>	<b>\$1.65</b>	<b>\$1.73</b>

**PRESTO**



**Pressure Cooker/Canner Handle**

Comes with screws.

**6159735** Shelf Pack: 1  
Mfg. # 85803/85313 | UPC: 075741858036

ADV	VP2	VP1
\$3.89	\$4.17	\$4.34
<b>\$3.73</b>	<b>\$4.00</b>	<b>\$4.17</b>

**PRESTO**



**Pressure Canner Body Handles**

*For 12, 16 and 21 quart canners. Plastic body with screws.*

**6254601** Shelf Pack: 1  
Mfg. # 85443 | UPC: 075741854434

ADV	VP2	VP1
\$2.80	\$3.03	\$3.15
<b>\$2.69</b>	<b>\$2.91</b>	<b>\$3.02</b>

*For 4 and 6-quart canners. Plastic body with screws.*

**6250666** Shelf Pack: 1  
Mfg. # 85453 | UPC: 075741854533

ADV	VP2	VP1
\$3.33	\$3.57	\$3.72
<b>\$3.20</b>	<b>\$3.43</b>	<b>\$3.57</b>

**PRESTO**



**Cover Handle**

For 12, 16 and 21 quart canners. Plastic body with screws.

**6254593** Shelf Pack: 1  
Mfg. # 85444 | UPC: 075741854441

ADV	VP2	VP1
\$2.80	\$3.03	\$3.15
<b>\$2.69</b>	<b>\$2.91</b>	<b>\$3.02</b>

**PRESTO**



**Pressure Control Weight Kit**

Contains #1058 vent pipe, #09978 pressure regulator and instruction book for canners manufactured prior to 1950.

**6255202** Shelf Pack: 1  
Mfg. # 85485 | UPC: 075741854854

ADV	VP2	VP1
\$8.25	\$8.85	\$9.23
<b>\$7.92</b>	<b>\$8.50</b>	<b>\$8.86</b>

**PRESTO**



**Pressure Cooker Indicator**

**6255186Y** Shelf Pack: 6  
Mfg. # 09914 | UPC: 075741099149

ADV	VP2	VP1
\$11.00	\$11.80	\$12.30
<b>\$10.56</b>	<b>\$11.33</b>	<b>\$11.81</b>

**PRESTO**



**Pressure Canner Steam Gauges**

*Includes rubber washer, metal washer and nut.*

**1877059** Shelf Pack: 1  
Mfg. # 85772/82237 | UPC: 075741822372

*With rubber adapter.*

**6155709** Shelf Pack: 1  
Mfg. # 85729 | UPC: 075741857299

*Fits pressure canners manufactured prior to January 1978.*

**6250724** Shelf Pack: 1  
Mfg. # 85771/82087 | UPC: 075741857718

ADV	VP2	VP1
\$9.90	\$10.62	\$11.07
<b>\$9.50</b>	<b>\$10.20</b>	<b>\$10.63</b>

**YOUR CHOICE**

**PRESTO**



**Automatic Air Vent**

Used on models manufactured before 1977.

**6254874Y** Shelf Pack: 6  
Mfg. # 09911 | UPC: 075741099118

ADV	VP2	VP1
\$1.68	\$1.82	\$1.89
<b>\$1.61</b>	<b>\$1.75</b>	<b>\$1.81</b>

**PRESTO**



**Plug**

Used on models manufactured after 1977.

**6992028Y** Shelf Pack: 6  
Mfg. # 09915 | UPC: 075741099156

ADV	VP2	VP1
\$1.68	\$1.82	\$1.89
<b>\$1.61</b>	<b>\$1.75</b>	<b>\$1.81</b>

**PRESTO**



**Pressure Cooker Regulators**

*3, 4 and 6-quart pressure cooker models.*

**6255236Y** Shelf Pack: 6  
Mfg. # 09978 | UPC: 075741099781

ADV	VP2	VP1
\$4.44	\$4.76	\$4.96
<b>\$4.26</b>	<b>\$4.57</b>	<b>\$4.76</b>

*Use on canners without a steam gauge.*

**6803571Y** Shelf Pack: 25  
Mfg. # 50332 | UPC: 075741503325

ADV	VP2	VP1
\$6.66	\$7.14	\$7.44
<b>\$6.39</b>	<b>\$6.85</b>	<b>\$7.14</b>





**PRESTO**



**Pressure Cooker Sealing Rings**

*2.5 and 4-quart pressure cookers with auto air vent.*

**6254759Y** Shelf Pack: 6  
Mfg. # 09909 | UPC: 075741099095

*3 and 4-quart pressure cookers with auto air vent.*

**6254882Y** Shelf Pack: 6  
Mfg. # 09908 | UPC: 075741099088

ADV	VP2	VP1	
\$4.16	\$4.46	\$4.65	<b>YOUR CHOICE</b>
<b>\$3.95</b>	<b>\$4.24</b>	<b>\$4.42</b>	

*6-quart pressure cookers with auto air vent.*

**6254932Y** Shelf Pack: 6  
Mfg. # 09901 | UPC: 075741099019

ADV	VP2	VP1	
\$4.44	\$4.76	\$4.96	<b>YOUR CHOICE</b>
<b>\$4.22</b>	<b>\$4.52</b>	<b>\$4.71</b>	

*16 and 21-quart pressure cookers with auto air vent.*

**6254767Y** Shelf Pack: 6  
Mfg. # 09907 | UPC: 075741099071

ADV	VP2	VP1	
\$5.00	\$5.36	\$5.58	<b>YOUR CHOICE</b>
<b>\$4.75</b>	<b>\$5.09</b>	<b>\$5.30</b>	

*3 and 4-quart pressure cookers with auto air vent.*

**6250294Y** Shelf Pack: 6  
Mfg. # 09919 | UPC: 075741099194

ADV	VP2	VP1	
\$5.00	\$5.36	\$5.58	<b>YOUR CHOICE</b>
<b>\$4.75</b>	<b>\$5.09</b>	<b>\$5.30</b>	

*12 and 22-quart pressure cookers with safety plug.*

**6255046Y** Shelf Pack: 6  
Mfg. # 09906 | UPC: 075741099064

*12 and 22-quart pressure cookers with safety plug.*

**6803316Y** Shelf Pack: 6  
Mfg. # 09905 | UPC: 075741099057

ADV	VP2	VP1	
\$6.11	\$6.55	\$6.82	<b>YOUR CHOICE</b>
<b>\$5.80</b>	<b>\$6.22</b>	<b>\$6.48</b>	

*4-quart pressure cookers with auto air vent.*

**6255038Y** Shelf Pack: 6  
Mfg. # 09918 | UPC: 075741099187

*Super 6 and 8-quart pressure cookers with overpressure plug.*

**6757678Y** Shelf Pack: 6  
Mfg. # 09924 | UPC: 075741099248

*4, 6 and 8-quart pressure cookers with overpressure plug.*

**6803282Y** Shelf Pack: 6  
Mfg. # 09936 | UPC: 075741099361

*4 and 6-quart pressure cookers with safety plug.*

**6803274Y** Shelf Pack: 6  
Mfg. # 09902 | UPC: 075741099026

*3 and 4-quart pressure cookers with overpressure plug.*

**6803183Y** Shelf Pack: 6  
Mfg. # 09903 | UPC: 075741099033

ADV	VP2	VP1	
\$5.55	\$5.95	\$6.20	<b>YOUR CHOICE</b>
<b>\$5.27</b>	<b>\$5.65</b>	<b>\$5.89</b>	

**PRESTO**



**Pressure Canner Sealing Ring and Overpressure Plug**

Includes overpressure plug.

**7024466Y** Shelf Pack: 6  
Mfg. # 09985 | UPC: 075741099859

ADV	VP2	VP1	
\$6.11	\$6.55	\$6.82	<b>YOUR CHOICE</b>
<b>\$5.81</b>	<b>\$6.23</b>	<b>\$6.49</b>	

**T-fal**



**Pressure Cooker Gasket**

For use with T-Fal 12 quart and 16 quart model canners.

**0058875Y** Shelf Pack: 3  
Mfg. # 9882000MW | UPC: 072009988207

ADV	VP2	VP1	
\$9.63	\$10.33	\$10.76	<b>YOUR CHOICE</b>
<b>\$9.34</b>	<b>\$10.02</b>	<b>\$10.44</b>	





