

# Yorkshire Technical Specification

## Robe Hook

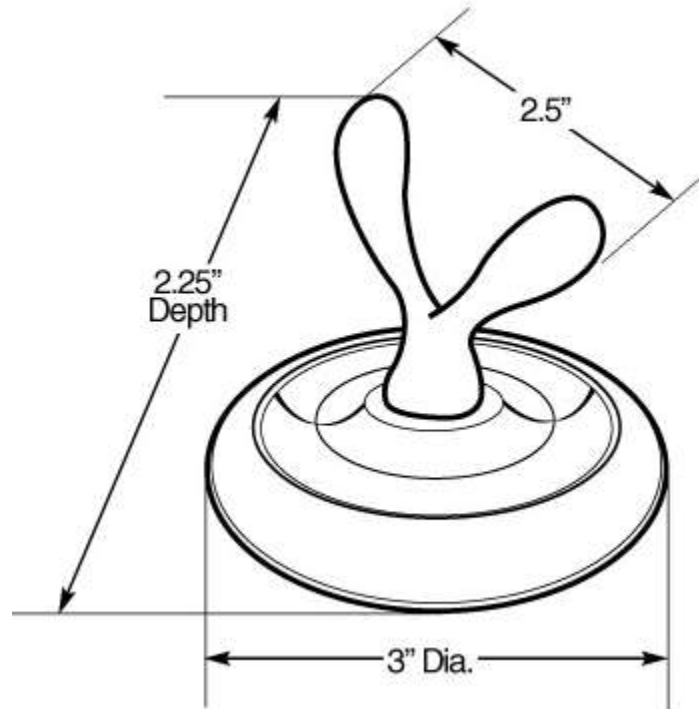
5303

### Stock Numbers:

- ❑ **5303CH – Robe Hook**  
Polished Chrome Finish  
Concealed Screw Mounting
- ❑ **BP5303OWB – Robe Hook**  
Old World Bronze Finish  
Concealed Screw Mounting
- ❑ **BP5303SN – Robe Hook**  
Satin Nickel Finish  
Concealed Screw Mounting

“BP” skus in wholesale packaging

### Dimensions:



### Materials:

**Robe Hook** is die cast from highest quality zinc alloy (zamac) and finished in a high quality powder coating or metallic plated finish.

### Installation Instructions:

1. Position the mounting plate on the wall at desired location with “UP” facing you.
2. One at a time, place each anchor screw through the mounting plate, centered in each large hole. Using a Phillips screwdriver, turn the anchor screw while applying pressure. Screw will self drill and tap into dry wall. Do not over tighten.
3. Place assembly over the mounting plate, setscrew facing down.
4. Tighten setscrew.

### Cleaning Instructions:

To preserve the fine finish of this product, clean only with a soft damp cloth. Dry well. Do not use commercial or abrasive cleaners.

**Stock Number:** \_\_\_\_\_ **Robe Hook**  
By Creative Specialties International



25300 AL MOEN DRIVE • NORTH OLMSTED, OH 44070 (800) 321-8809 •  
FAX: (800) 848-6636 • INTERNATIONAL: (440) 962-2000 •  
FAX: (440) 962-2726 CUSTOMER SERVICE (USA): 800-882-0116  
WWW.MOEN.COM  
©Copyright Creative Specialties International Literature #BA1070