



Buy it for looks. Buy it for life.®

■ **Order by Part Number**

*There is more than 1 version of this model.
Page down to identify the version you have.*

FAUCET DESCRIPTION

- Metal construction with various finishes identified by suffix
- Flexible supply lines with 3/8" compression fittings
- With Protégé® side spray versions available
- Duralock quick connect installation

OPERATION

- Lever style handle
- Will operate with less than 5 lbs. of force


FLOW

- Aerator is limited to 1.5 gpm max (5.7 L/min)

CARTRIDGE

- 1255™ Duralast™ cartridge
- Nonmetallic/nonferrous and stainless steel material

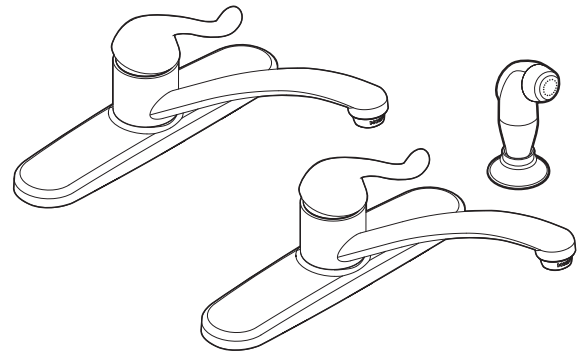
STANDARDS

- Third party certified to ASME A112.18.1/CSA B-125.1 and all applicable requirements referenced therein
- Certified to NSF 61/9 & 372
- Meets CalGreen and Georgia SB370 requirements
- Complies with California Proposition 65 and with the Federal Safe Drinking Water Act
- **ADA**  for lever handle

WARRANTY

- Lifetime limited warranty against leaks, drips and finish defects to the original consumer purchaser
- 5 year warranty if used in commercial installations

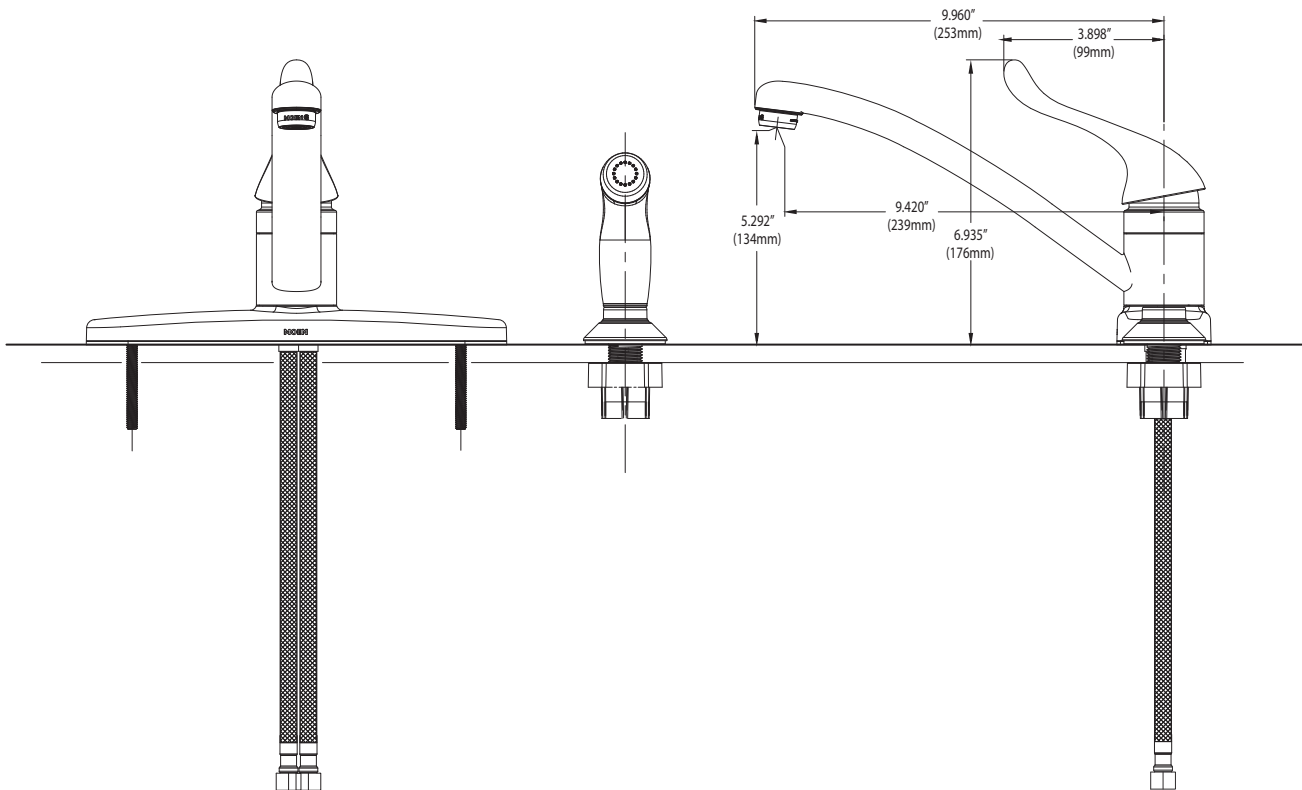
Specifications



Adler™ Single Handle Lever Kitchen Faucet with Protégé® Side Spray

Models: CA87530 series
CA87539 series (less side spray)

NOTE: DESIGNED TO BE INSTALLED THROUGH 3 HOLES
1-1/4" (32mm) MIN. DIA. AND 4" (102mm) ON CENTER.



CRITICAL DIMENSIONS

(DO NOT SCALE)



Buy it for looks. Buy it for life.®

■ Order by Part Number

FAUCET DESCRIPTION

- Metal construction with various finishes identified by suffix
- Flexible supply lines with 3/8" compression fittings
- With side spray versions available
- Quick connect installation

OPERATION

- Lever style handle
- Will operate with less than 5 lbs. of force

FLOW

- Aerator is limited to 1.5 gpm max (5.7 L/min)

CARTRIDGE

- 1255™ Duralast™ cartridge
- Nonmetallic/nonferrous and stainless steel material

STANDARDS

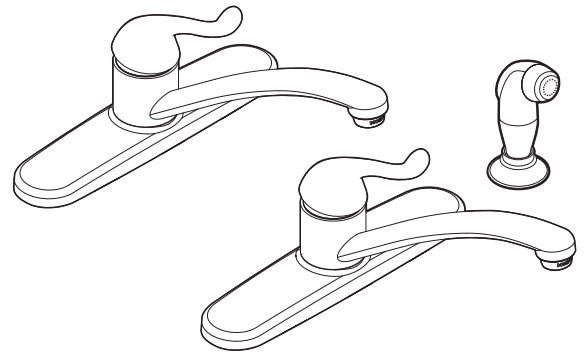
- Third party certified to ASME A112.18.1/CSA B-125.1 and all applicable requirements referenced therein
- Certified to NSF 61/9 & 372
- Complies with California Proposition 65 and with the Federal Safe Drinking Water Act

- **ADA**  for lever handle

WARRANTY

- Lifetime limited warranty against leaks, drips and finish defects to the original consumer purchaser
- 5 year warranty if used in commercial installations

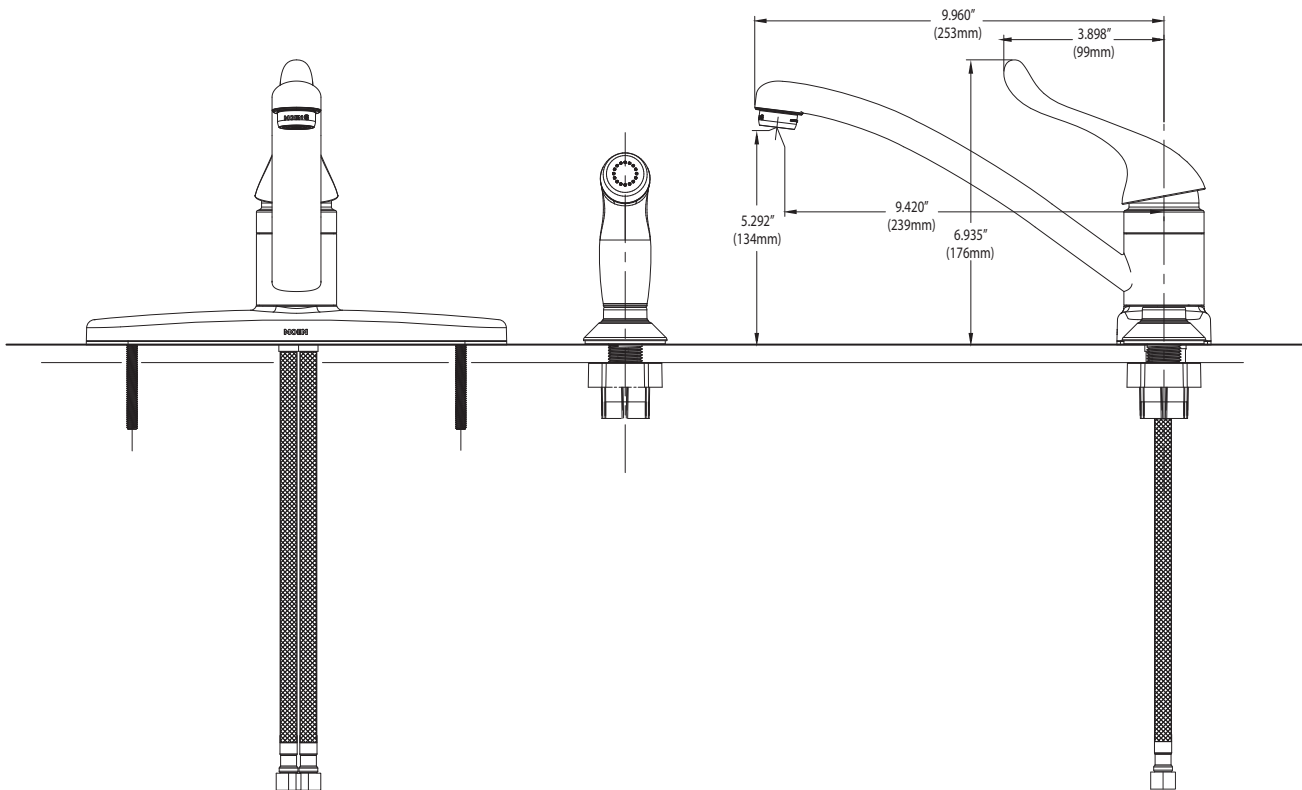
Specifications



Adler™ Single Handle Lever Kitchen Faucet with Protégé® Side Spray

Models: CA87530 series
CA87539 series (less side spray)

NOTE: DESIGNED TO BE INSTALLED THROUGH 3 HOLES
1-1/4" (32mm) MIN. DIA. AND 4" (102mm) ON CENTER.



CRITICAL DIMENSIONS

(DO NOT SCALE)



Buy it for looks. Buy it for life.®

Specifications

FAUCET DESCRIPTION

- Metal construction with various finishes identified by suffix
- Inlet shanks will accept 3/8" ball nose connections
- With and without side spray versions available

OPERATION

- Lever style handle
- Will operate with less than 5 lbs. of force

FLOW

- Aerator is limited to 1.5 gpm max (5.7 L/min)

CARTRIDGE

- 4000 ceramic disc cartridge design
- Nonmetallic/nonferrous and stainless steel material

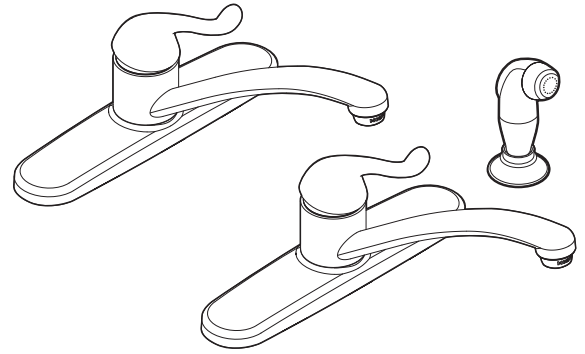
STANDARDS

- Third party certified to ASME A112.18.1/CSA B-125.1 and all applicable requirements referenced therein
- Certified to NSF 61/9 & 372
- Complies with California Proposition 65 and with the Federal Safe Drinking Water Act

- **ADA**  for lever handle

WARRANTY

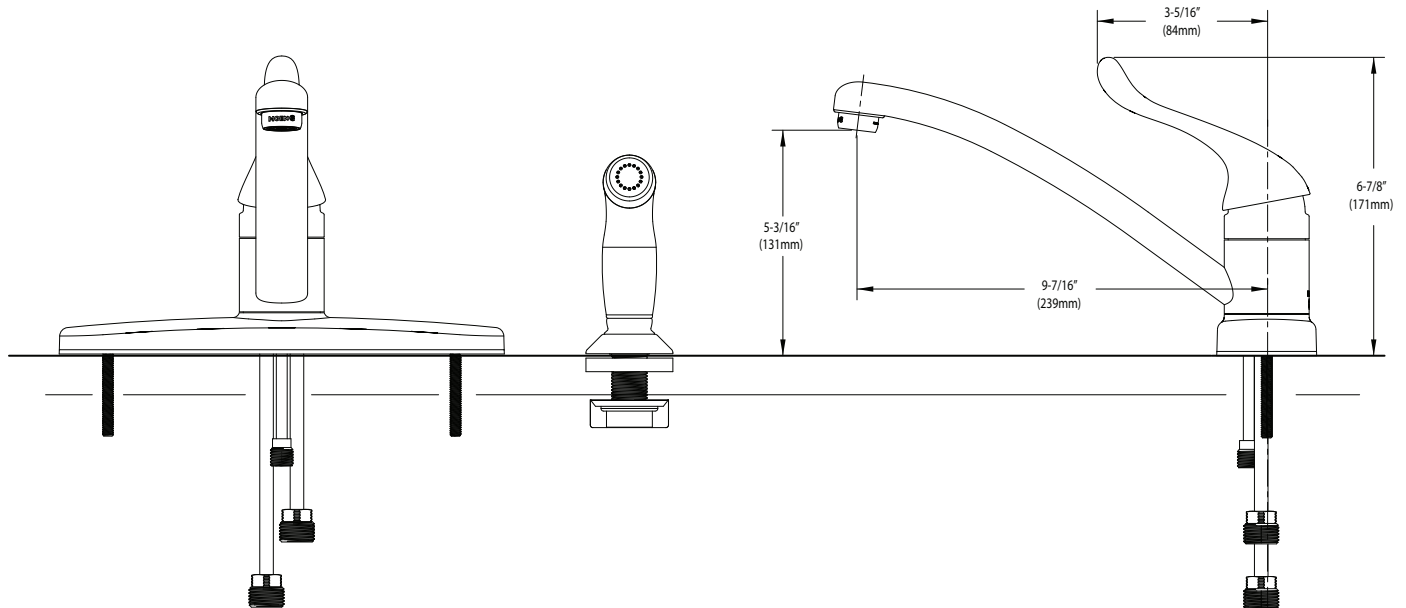
- Lifetime limited warranty against leaks, drips and finish defects to the original consumer purchaser
- 5 year warranty if used in commercial installations



Adler™
Single Handle Lever Kitchen Faucet
with Protégé® Side Spray

Models: CA87530 series
 CA87539 series (less side spray)

NOTE: DESIGNED TO BE INSTALLED THROUGH 3 HOLES
 1-1/4" (32mm) MIN. DIA. AND 4" (102mm) ON CENTER.



CRITICAL DIMENSIONS

(DO NOT SCALE)

FOR MORE INFORMATION CALL: 1-800-BUY-MOEN

www.moen.com