

DESCRIPTION

The WN Series is a surface wraparound luminaire featuring energy efficient performance. The luminaire's clean, low profile design is both appealing and functional. The WN Series utilizes a clear, low brightness, extruded acrylic refractor for high performance and aesthetics.

The efficient and stylish WN Series is the perfect wraparound for residential applications.

Catalog #		Type
Project		
Comments		Date
Prepared by		

SPECIFICATION FEATURES

Construction

Housing consists of die formed cold rolled steel. Ends formed with the housing for strength and provisions for continuous row aligners. Steel end plates with 7/8" KO and light-seal embossment. Ballast cover easily removed without tools.

Electrical*

Residential electronic instant start ballast. 120V. Rotor lock lampholders. UL/CUL, Energy Star listed. Suitable for damp locations.

Finish

Multistage, prepaint ensures maximum bonding and rust prevention.

Lens

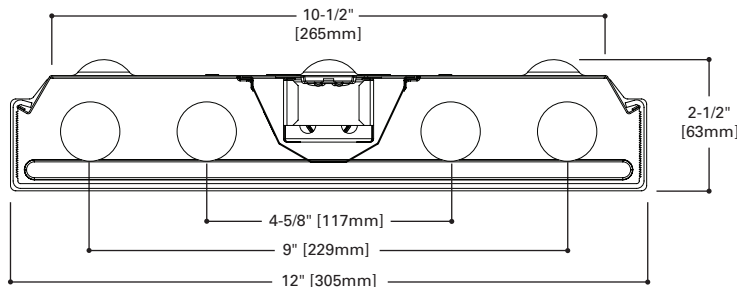
100% clear acrylic prismatic lens. Sides have inside linear prisms and bottom has pyramidal prisms for low brightness control.



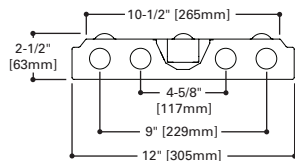
**WN
432R**

**4' SURFACE
4 T8 LAMPS**

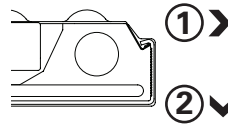
Residential Wrap



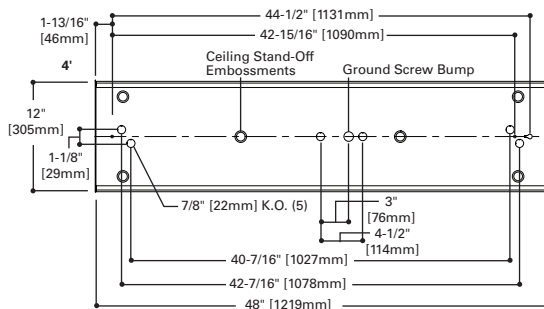
LAMP CONFIGURATIONS



LENS REMOVAL



MOUNTING DATA



ENERGY DATA

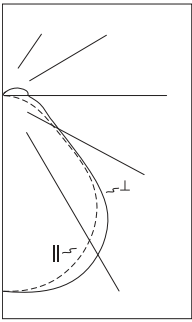
Input Watts:
REB1 Ballast & STD Lamps
432 (102)

Luminaire Efficacy Rating
LER = FW-84
Catalog Number: WN-432R
Yearly Cost of 1000 lumens,
3000 hrs at .08 KWH = \$2.86

*Reference the lamp/ballast data in the Technical Section for specific lamp/ballast requirements.

LAMPS CONTAIN MERCURY. DISPOSE ACCORDING TO LOCAL, STATE OR FEDERAL LAWS

PHOTOMETRICS



WN-432R
 Energy Saving Ballast
 F32T8/35K Lamps
 3100 Lumens
 Spacing criterion:
 (||) 1.3 x mounting height, (⊥) 1.4 x mounting height
 Efficiency 79.1%
 Test Report: 134P131
 LER = FW-84
 Yearly Cost of 1000 lumens, 3000 hrs at .08 KWH = \$2.86

Coefficients of Utilization

rc	Effective floor cavity reflectance																	
	80%				70%				20%									
	70	50	30	10	70	50	30	10	50	30	10	50	30	10	10%	0%		
rw	70	50	30	10	70	50	30	10	50	30	10	50	30	10	50	30	10	0
RCR																		
0	93	93	93	93	90	90	90	90	84	84	84	79	79	79	74	74	74	72
1	85	81	77	74	82	78	75	73	74	71	69	69	67	66	66	64	63	60
2	77	71	66	61	75	69	64	60	65	61	58	61	58	55	58	55	53	51
3	71	63	57	52	68	61	55	51	58	53	49	55	51	47	52	48	46	44
4	65	56	49	44	63	54	48	43	52	46	42	49	44	41	46	43	40	38
5	60	50	43	38	58	49	43	38	46	41	37	44	39	36	42	38	35	33
6	55	45	38	34	53	44	38	33	42	36	32	40	35	32	38	34	31	29
7	51	41	34	30	50	40	34	29	38	33	29	37	32	28	35	31	27	26
8	48	38	31	27	46	37	31	26	35	30	26	34	29	25	32	28	25	23
9	45	34	28	24	43	34	28	24	32	27	23	31	26	23	30	25	22	21
10	42	32	26	22	41	31	25	21	30	25	21	29	24	21	28	23	20	19

Zonal Lumen Summary

Zone	Lumens	%Lamp	%Fixture
0-30	2652	21.4	27.0
0-40	4407	35.5	44.9
0-60	7345	59.2	74.8
0-90	8954	72.2	91.2
90-180	860	6.9	8.8
0-180	9814	79.1	100.0

Typical VCP Percentages

Room Size (Ft.)	Height Along		Height Across	
	8.5'	10.0'	8.5'	10.0'
20 x 20	45	51	40	47
30 x 30	38	42	30	36
30 x 60	32	35	16	21
60 x 30	37	42	33	39
60 x 60	30	33	18	22

Candela

Angle	Along	45°	Across ⊥
0	3220	3220	3220
5	3225	3244	3247
10	3206	3249	3276
15	3158	3236	3288
20	3071	3194	3264
25	2952	3117	3192
30	2802	3002	3071
35	2623	2843	2905
40	2402	2629	2683
45	2100	2316	2319
50	1650	1842	1773
55	1174	1394	1305
60	902	1067	1019
65	714	806	844
70	561	608	739
75	408	463	661
80	258	366	567
85	123	286	476
90	6	196	407

ORDERING INFORMATION

SAMPLE NUMBER: WN432R

Length Blank=4' Length	Series ⁽¹⁾ WN=Surface Wrap	Number of Lamps ⁽²⁾ 4=4 Lamps (Not Included)	Wattage 32=32W T8 (48")	Application R=Residential
---------------------------	--	---	----------------------------	------------------------------

ACCESSORIES

WN-4LT-DEC-ENDS=Decorative End Caps - 3 or 4 Lamps (2 pieces)

NOTES: ⁽¹⁾ Steel endplates with 7/8" KO standard for continuous row mount. ⁽²⁾ 2 point suspension recommended (up to 4').
 For complete product data, reference the Fluorescent Specification binder. Specifications & dimensions subject to change without notice. Consult your Cooper Lighting Representative for availability and ordering information.

SHIPPING DATA

Catalog No. WN-432R	Wt. 25 lbs.
------------------------	----------------