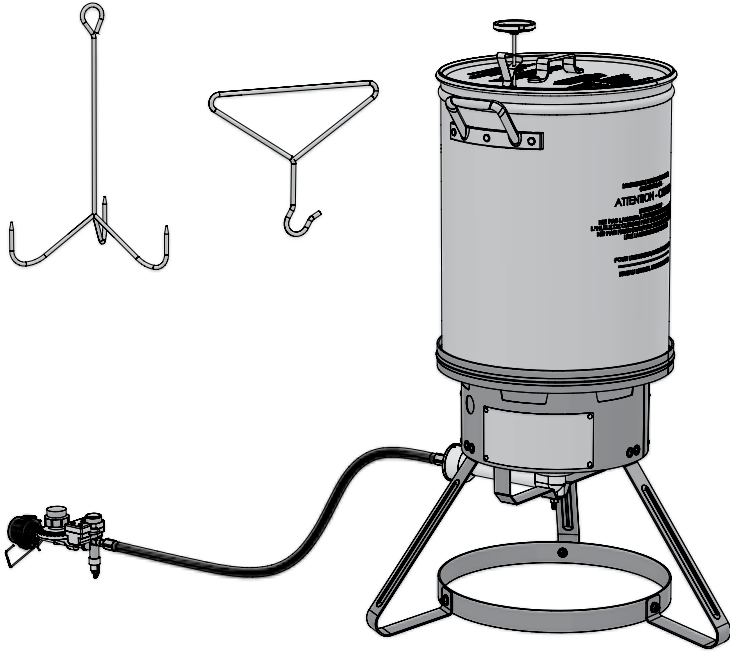


MASTERBUILT®

EST. 1973

Welcome to the family. Let's get started.



MPF 130B

30 QUART PROPANE TURKEY FRYER
FRITEUSE À DINDE AU PROPANE DE 30 PINTES
FREIDORA DE PAVOS DE PROPANO DE 30 CUARTOS

Manual applies to the following model number(s)
Le manuel s'applique aux numéros de modèle suivants
El manual se aplica a los siguientes números de modelo

MB20020107

Your model number | Votre numéro de modèle | Su número de modelo

Mfg. Date - Serial Number | Date de fabrication - Numéro de série |
Fecha Fabricado - Número de serie

*These numbers are located on the rating label of the unit.
Le numéro de série se trouve sur la plaque signalétique de l'unité.
El número de serie se encuentra en la etiqueta de la unidad.*

IMPORTANT | IMPORTANTE

Please record this information immediately and keep in a safe place for future use.

Veuillez noter cette information immédiatement et la conserver dans un endroit sûr pour une utilisation future.

Por favor, registrar esta información inmediatamente y guardar en un lugar seguro para su uso futuro.

Manual Code: 9802170009 171205-GSB



Master it. Masterbuilt.



WARNING



- This manual contains important information necessary for the proper assembly and safe use of the appliance.
- Read and follow all warnings and instructions before assembling and using the appliance.
- Follow all warnings and instructions when using the appliance.
- Keep this manual for future reference.



Failure to follow these instructions could result in fire, explosion or burn hazard, which could cause property damage, personal injury or death.



WARNING



CALIFORNIA PROPOSITION 65

1. Combustion by-products produced when using this product contain chemicals known to the State of California to cause cancer, birth defects, and other reproductive harm.
2. This product contains chemicals known to the State of California to cause cancer, birth defects or other reproductive harm.



DANGER



1. Never operate this appliance unattended.
2. Never operate this appliance within 10 feet (3.0m) of any structure, combustible material or other gas cylinder.
3. Never operate this appliance within 25 feet (7.5 m) of flammable liquids.
4. Do not fill cooking vessel beyond maximum fill line.
5. Never allow the oil to get hotter than 400°F (200°C). If the temperature exceeds 400°F (200°C) or if oil begins to smoke, immediately turn the burner or gas supply OFF.
6. Heated liquid can remain at scalding temperatures long after the cooking process. Never touch the cooking appliance until the cooking liquid has cooled below 115°F (45°C) or less.
7. If a fire should occur, keep away from the appliance and immediately call your fire department. Do not attempt to extinguish an oil/grease fire with water.



DANGER



CARBON MONOXIDE HAZARD

- This appliance can produce carbon monoxide which has no odor.
- Using it in an enclosed space can kill you.
- Never use this appliance in an enclosed space such as a camper, tent, car or home.



DANGER



IF YOU SMELL GAS:

1. Shut off gas to the appliance.
2. Extinguish any open flame.
3. If odor continues, keep away from the appliance and immediately call your Fire Department.



GENERAL WARNINGS AND SAFETY INFORMATION



READ ALL INSTRUCTIONS

- Always use unit in accordance with all applicable local, state and federal fire codes.
- Before each use check all nuts, screws and bolts to make sure they are tight and secure.
- Never operate unit under overhead construction such as roof coverings, carports, awnings, or overhangs.
- Unit is for **OUTDOOR HOUSEHOLD USE ONLY**.
- Never use inside enclosed areas such as patios, garages, buildings or tents.
- Never use inside or on recreational vehicles or boats.
- Maintain a minimum distance of 10ft (3m) from overhead construction, walls, rails or other structures.
- Keep a minimum 10ft (3m) clearance of all combustible materials such as wood, dry plants, grass, brush, paper, or canvas.
- Never use unit for anything other than its intended use. This unit is NOT for commercial use.
- Accessory attachments not supplied by Masterbuilt Manufacturing, LLC are NOT recommended and may cause injury.
- Use of alcohol, prescription or non-prescription drugs may impair user's ability to properly assemble or safely operate unit.
- Keep a fire extinguisher accessible at all times while operating unit.
- When cooking with oil or grease, have a type BC or ABC fire extinguisher readily available.
- In the event of an oil or grease fire do not attempt to extinguish with water. Immediately call the fire department. A Type BC or ABC fire extinguisher may, in some circumstances, contain the fire.
- Use unit on a level, non-combustible, stable surface such as dirt, concrete, brick or rock. An asphalt surface (black top) may not be acceptable for this purpose.
- Unit **MUST** be on the ground. Do NOT place unit on tables or counters. Do NOT move unit across uneven surfaces.
- Do NOT use unit on wooden or flammable surfaces.
- Keep unit clear and free from combustible materials such as gasoline and other flammable vapors and liquids.
- Do NOT leave unit unattended.
- Keep children and pets away from unit at all times. Do NOT allow children to use unit. Close supervision is necessary when children or pets are in area where unit is being used.
- Do NOT allow anyone to conduct activities around unit during or following its use until it has cooled.
- Never use glass, plastic or ceramic cookware in unit. Never place empty cookware in unit while in use.
- Never move unit when in use. Allow unit to cool completely (below 115°F (45°C)) before moving or storing.
- Store only when fire is completely out and all surfaces are cold.
- Never use unit as a heater (**READ CARBON MONOXIDE HAZARD**).
- The unit is HOT while in use and will remain HOT for a period of time afterwards and during cooling process. Use **CAUTION**. Wear protective gloves/mitts.
- Be careful when removing food from unit. All surfaces are HOT and may cause burns. Use protective gloves/mitts or long, sturdy cooking tools for protection from hot surfaces or splatter from cooking liquids.
- DO NOT bump or impact the unit to prevent personal harm, damage to unit or spillage/splashing of hot cooking liquid.
- Do NOT touch HOT surfaces.
- Unit is hot during use. To avoid burns, keep face and body away from lid. Steam and hot air are expelled during use.
- Unit has an open flame. Keep hands, hair, and face away from burner flame. Do NOT lean over burner when lighting. Loose hair and clothing may catch fire.
- Do NOT obstruct flow of combustion and ventilation.
- Do NOT cover cooker head with metal foil. This will trap heat and may cause damage to the unit.
- In the event of rain, snow, hail, sleet or other form of precipitation while cooking with oil, cover the cooking vessel and immediately turn off the burner(s) and gas supply. DO NOT MOVE cooker stand or pot.
- When cooking with oil or grease, the thermometer provided **MUST** be used. Follow instructions in this manual for proper installation and use of the thermometer. If the thermometer supplied with this fryer/boiler has been lost or damaged, a replacement thermometer must be one specified by the appliance manufacturer.
- Never allow the oil to get hotter than 400°F (200°C). If the temperature exceeds 400°F (200°C), or if oil begins to smoke, immediately turn the burner or gas supply OFF and wait for the temperature to decrease to less than 350°F (175°C) before relighting burner according to the manufacturer's instructions. If there is a lid (cover), do not remove the lid.

**WARNINGS & IMPORTANT
SAFEGUARDS CONTINUED ON PAGE 4**



GENERAL WARNINGS AND SAFETY INFORMATION



WARNINGS & IMPORTANT SAFEGUARDS CONTINUED FROM PAGE 3

- Do NOT use a cooking pot or vessel larger than 30 quarts. Cooking pot must fit inside the security ring of the cooker.
- Do NOT fill cooking pot beyond maximum fill line.
- Never overfill the cooking pot with oil/grease or water. Follow instructions in manual for proper oil/grease or water levels.
- Instructions for determining the maximum fill level when using a pot without a maximum fill line:
 - A. Place the food in the pot or basket, if using.
 - B. Fill the pot with water just until the food is completely submerged. There must be a minimum of 3 in (8 cm) between the oil/grease or water level and top of the pot.
 - C. Remove the food and basket from the pot and either mark the water level on the side of the pot or measure the amount of water in the pot.
 - D. Remove the water and completely dry the pot, basket, and food.
 - E. This is the amount of oil/grease or water the pot is to be filled with to cook food.
- Failure to completely thaw and dry foods may cause oil or grease to overflow. When frying with oil or grease all food must be completely thawed and towel dried to remove excess water before being immersed in the pot. If ice is present on the food, this means the thawing process is not complete and may cause a boil over when placed into hot oil causing a fire.
- Introduction of water or ice, from any source, into the oil/grease may cause overflow and severe burns from hot oil and water splatter.
- Use caution when placing food in the cooking pot while the appliance is in operation.
- Never drop food or accessories into hot cooking liquid. Lower food and accessories slowly into the cooking liquid in order to prevent splashing or overflow. When removing food from the appliance, care shall be taken to avoid burns from hot cooking liquids.
- Check the thermometer before each use by inserting it into a pot of boiling water and ensuring that it registers approximately $212^{\circ}\text{F} \pm 20^{\circ}\text{F}$ ($100^{\circ}\text{C} \pm 10^{\circ}\text{C}$). If it does not function properly, obtain a replacement thermometer specified by the manufacturer before using the appliance.
- Even when burner is set on low flame, oil will heat up quickly and ignite at 550°F to 700°F .
- Heated liquid can remain at scalding temperatures long after the cooking process. Never touch the cooking appliance until the cooking liquid has cooled below 115°F (45°C) or less.
- Tripping over the appliance hose may result in the spilling of hot oil or water, causing personal injury and property damage.
- If oil starts to smoke, turn burner off. This means the oil has exceeded 400°F and will catch fire. Allow oil to cool to 350°F before relighting burner.
- When cooking with oil, always turn off burner before lowering food into oil. Relight after food is submerged into the oil.
- Do not turn burner to a low setting to keep oil/grease hot for later use. The temperature of the oil/grease will continue to rise and catch fire.
- This is an attended appliance. Do not leave appliance unattended while heating oil/grease or water, cooking food, or after it's use. The appliance remains at scalding temperatures long after cooking has ended. Allow to cool below 115°F (45°C) before cleaning and storing.
- If a fire occurs inside the pot, follow these steps.
 1. Turn off gas supply.
 2. Wearing a protective glove, cover the pot with a lid.
- If a fire occurs outside the pot, follow these steps.
 1. Call the fire department.
 2. Turn off the gas supply if possible.
 3. Attempt to extinguish using fire extinguisher specified.
- If a fire should occur, keep away from the appliance and immediately call your fire department. Do not attempt to extinguish an oil/grease fire with water.
- Installation of unit must conform with local codes or in the absence of local codes, with National Fuel Gas Code, ANSI Z223.1/NFPA 54, Storage and Handling of Liquefied Petroleum Gases, ANSI/NFPA 58 or CSA B149.1, Natural Gas Installation Code; Propane Storage and Handling, CSA B149.2; or the Standard for Recreational Vehicles, ANSI A119.2/NFPA 1192; and Recreational Vehicle Code, CSA Z240 RV Series as applicable.
- Before each use inspect gas hose for signs of damage.
- Keep fuel supply hose away from any heated surface.

WARNINGS & IMPORTANT SAFEGUARDS CONTINUED ON PAGE 5



GENERAL WARNINGS AND SAFETY INFORMATION



WARNINGS & IMPORTANT SAFEGUARDS CONTINUED FROM PAGE 4

- Keep fuel supply hose away from unit while in operation.
- Regulator and hose assembly supplied with unit **MUST** be used. For replacement parts contact Masterbuilt Customer Service at 1-800-489-1581.
- Use 20LB (9kgs) gas cylinder that has protective collar (cylinder not included with unit).
- Keep ventilation openings of cylinder enclosure free and clear of debris.
- LP gas cylinder being used must be constructed and marked in accordance with specifications for LP gas cylinders of the US Department of Transportation (DOT) or the Standard for Cylinders, Spheres and Tubes for the Transportation for Dangerous Goods, CAN/CSA-B339.
- Never use gas cylinder if there is evidence of dents, gouges, bulges, fire damage, erosion, leakage, excessive rust, or other forms of visible external damage. This may be hazardous and cylinder should be taken to a liquid propane supplier to be checked.
- Never attach/disconnect gas cylinder, move or alter gas fittings when unit is in operation.
- Always disconnect gas cylinder from unit when not in use.
- Unit is designed to work with propane gas only. Only use gas cylinders marked propane with this unit.
- This product will not operate with natural gas.
- When finished using, turn the burner control valve OFF, then turn the adjustable regulator OFF if applicable. Turn the gas cylinder valve OFF, then disconnect the cylinder.
- Gas must be turned off at the supply cylinder when not in use.
- Cylinder must be stored outdoors, out of children's reach and should not be stored in a building, garage, or any other enclosed area.
- Do not store spare LP gas cylinder under or near unit. Gas cylinder safety relief valve may overheat allowing gas to release causing fire which may cause death or serious injury.
- Never fill cylinder over 80% full or cylinder may release gas causing fire which may cause death or serious injury.
- Place a dust cap on cylinder valve outlet whenever cylinder is not in use. Only install dust cap provided with cylinder. Other caps or plugs may cause leaks.
- If you smell, hear or see gas escaping, immediately move away from gas cylinder and call the fire department. Fire may cause death or serious injury.
- Reference ignition steps before use.
- Never use lighter fluid with propane.

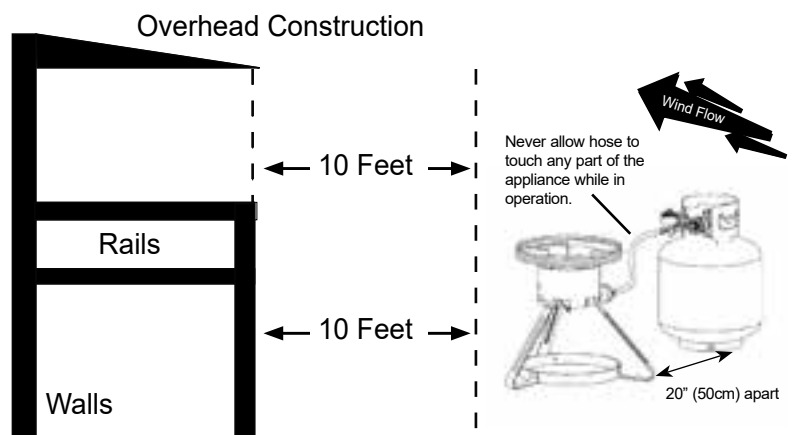
SAVE THESE INSTRUCTIONS

STRUCTURAL PROXIMITY AND SAFETY USAGE RECOMMENDATIONS

Before using cooker, check wind direction and place cylinder UPWIND 20" in upright position. This is necessary so that cylinder supply system is arranged for vapor withdrawal and prevent cylinder from striking unit if tipped.

WARNING:
HOSE IS A TRIP HAZARD

WARNING: HOSE IS A TRIP HAZARD THAT
COULD CAUSE SUPPLY CYLINDER TO TIP





GENERAL WARNINGS AND SAFETY INFORMATION



SOAPY WATER TEST FOR ADJUSTABLE REGULATOR

WARNINGS:

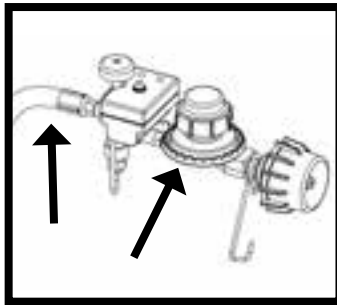
- Soapy water test **MUST** be performed each time gas cylinder is connected to burner/hose or each time it is used.
- Soapy water test **MUST** be performed outdoors in a well ventilated area.
- When performing soapy water test keep unit away from open flames, sparks or lit cigarettes.
- Never use an open flame to test for gas leaks.

PREPARATION:

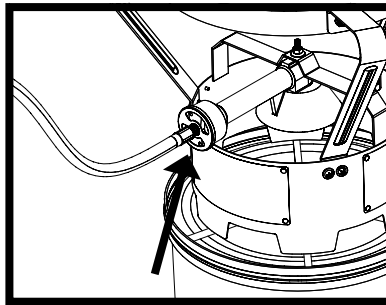
- Remove any cookware and accessories from unit.
- Make sure gas cylinder valve and adjustable regulator are turned to the OFF position.
- Prepare soapy water solution: (1) part dish washing liquid (or more if desired), (3) parts water.
- Apply soapy water solution to gas cylinder valve, regulator and hose length up to burner.



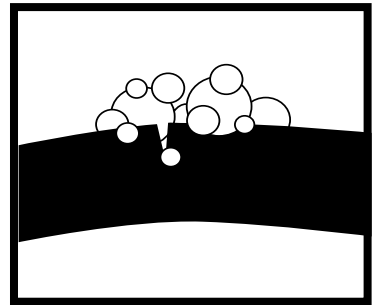
Apply solution to gas cylinder valve.



Apply solution to regulator and along full length of hose.



Apply solution underneath unit at hose and burner connection.



Failed test will present bubbles as shown above.

TESTING GAS CYLINDER VALVE:

- Turn gas cylinder valve **ON** and watch for bubbles. **DO NOT LEAVE GAS ON MORE THAN 12 SECONDS.** If bubbles appear, stop, turn gas cylinder valve **OFF** and retighten fitting. Repeat test.

TESTING REGULATOR AND HOSE:

- **AFTER** gas cylinder valve has passed soapy water test, turn gas cylinder valve **ON**, open adjustable regulator by rotating knob one full turn and check for bubbles at regulator location, along full length of hose and at burner connection. **DO NOT LEAVE GAS ON MORE THAN 12 SECONDS.** If bubbles appear, stop, turn adjustable regulator **OFF**, turn gas cylinder valve **OFF** and retighten the connection that is leaking gas. If hose is source of leak, **STOP**, do not use unit. Hose must be replaced.

- When test is complete, and there are no leaks, wait a minimum of 5 minutes for gas fumes to diminish before lighting fryer.



GENERAL WARNINGS AND SAFETY INFORMATION

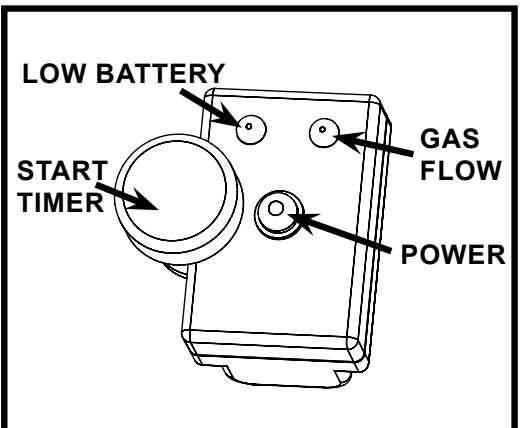


IGNITION INSTRUCTIONS

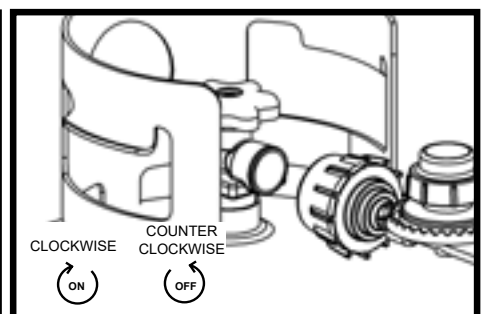
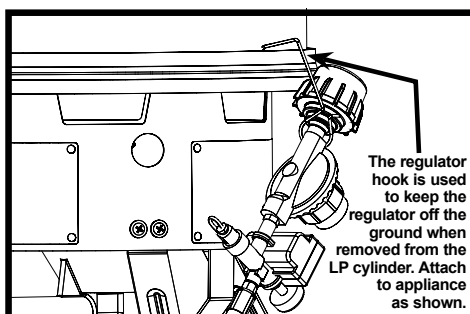
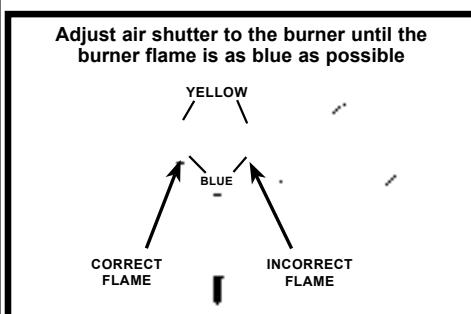
- Inspect hose before each use. If there are signs of abrasion, wear, cuts, or leaks the hose must be replaced. **DO NOT USE.**
- If unit is equipped with burner covers, remove covers. Never use burner covers during operation.
- Inspect burner before each use. Check burner and burner venturi tube for insects and insect nests. A clogged tube can lead to a fire beneath unit.
- Check to ensure the orifice is centered inside the venturi tube. Failure to properly assemble the valve orifice to the venturi tube can result in gas leak or potential fire at connection. See assembly steps for proper assembly method.
- Connect hose regulator to LP Gas Cylinder
 1. Make sure gas cylinder valve is closed. Turn valve clockwise until it stops.
 2. Make sure adjustable regulator on unit is in the **OFF** position.
 3. Remove protective cap from gas cylinder and coupling nut if applicable.
 4. Center and insert regulator nipple into valve outlet on gas cylinder as shown in figure on the left. Turn regulator coupling nut clockwise until it stops. **DO NOT OVER TIGHTEN.**
- Perform soapy water test.
- Before starting lighting procedure make sure all cooking accessories and cooking vessels are removed from unit.
- When lighting burner remove all parts inside or on unit to prevent explosion from gas build up.

TO USE:

1. Turn gas cylinder valve on.
2. Turn adjustable regulator knob counter clockwise 1 full turn.
3. Turn timer on by pressing the power button on timer.
4. Press the red button to start the timer.
 - This will allow gas flow for 15 minutes.
 - You must continue to press the red button every 15 minutes so the flame does not go out.
5. If unit has an ignitor button, push ignitor button to light. If unit does not have an ignitor button then follow match light instructions.



- If ignition does not take place within five seconds, turn adjustable regulator to **OFF** position and wait five minutes and repeat lighting procedures. If ignition still does not occur, see match light directions below.
- If flame goes out during cooking, turn adjustable regulator **OFF**, turn gas cylinder valve **OFF**, remove any cooking accessories or cooking vessels from unit and wait 5 minutes then repeat ignition instructions above.
- Adjustable regulator adjusts burner flame. Turn regulator knob clockwise to decrease flame. Turn valve counter clockwise **SLOWLY** to increase flame. Turn regulator knob clockwise until it stops to shut flame off.
- Visually check burner flame. **A CORRECT FLAME** should be blue with a small amount of yellow at the tip. An **INCORRECT FLAME** is excessively yellow and irregular. If an incorrect flame occurs, turn burner control valve to **OFF** position, turn **OFF** regulator and gas cylinder valve. Allow unit to cool and then clean burner. Let burner completely dry before re-lighting. Adjust the air shutter to the burner until the burner flame is as blue as possible, see image below.
- After use turn burner control valve **OFF**, then turn gas cylinder valve **OFF** and disconnect tank.
- Type 1 regulators will have a hook as shown in image below. The regulator hook is used to keep the regulator off the ground when removed from the LP cylinder. Attach to unit as shown in image.

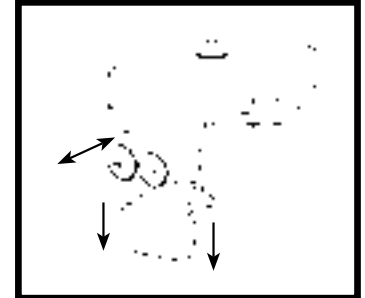
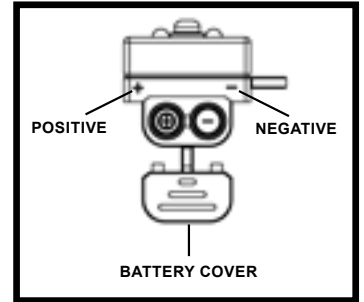


BATTERY INSTALLATION FOR TIMER

Replace batteries when low-battery light is on.
Disconnect regulator from tank before
installation or replacement.



1. Locate battery cover on timer.
2. Press and slide battery cover off as shown.
3. Install 2 "AAA" Alkaline batteries. Check positive (+) and negative (-) symbols on the case and battery to insure proper installation.
4. Replace the battery cover.
5. For battery removal and replacement repeat this procedure.



CAUTION

Keep batteries away from small children. If battery is swallowed consult a physician immediately.
Be sure to insert batteries correctly. Improper installation may result in leaks and/or possible explosion.
Do not dispose of batteries in fire.

MATCH LIGHT INSTRUCTIONS

1. Read all instructions and warnings before lighting.
2. Check gas control valve/regulator and gas cylinder valve to be certain it is in OFF position before connecting to gas cylinder.
3. Perform soapy water test before each use.
4. Remove all accessories and cooking vessels from in/or on unit.
5. Turn gas cylinder valve on, then turn gas control valve/regulator on.
6. Place a long, lit fireplace match stick close enough to burner to ignite.
7. If ignition does not take place within five seconds, turn gas control valve/regulator to OFF position and wait five minutes and repeat match light instructions.
8. After each use turn gas control valve/regulator off, then gas cylinder valve off. Always allow unit to cool completely before touching, moving or storing.



AVERTISSEMENT



- Ce manuel contient de l'information importante nécessaire pour un assemblage approprié et l'utilisation sûre de l'appareil.
- Lisez et suivez la totalité des avertissements et des instructions fournis avant d'assembler et d'utiliser l'appareil.
- Suivez la totalité des avertissements et des instructions lors de l'utilisation de l'appareil.
- Conservez ce manuel pour référence ultérieure.



L'omission de vous conformer à ces instructions pourrait entraîner un incendie, une explosion ou un risque de brûlure, qui pourrait causer des dommages matériels, des blessures ou la mort.



AVERTISSEMENT



PROPOSITION 65 DE L'ÉTAT DE CALIFORNIE

1. Les sous-produits de combustion émis lors de l'utilisation de cet appareil contiennent des produits chimiques reconnus par l'État de Californie comme provoquant des cancers, des anomalies congénitales et d'autres troubles de la reproduction.
2. Ce produit contient des produits chimiques reconnus par l'État de Californie comme provoquant des cancers, des anomalies congénitales et d'autres troubles de la reproduction.



DANGER



1. Ne laissez jamais l'appareil fonctionner sans surveillance.
2. Ne faites jamais fonctionner cet appareil à moins de 3,0 m (10 pi) d'une structure ou d'un matériau combustible quelconque, ou encore d'une autre bouteille de gaz.
3. Ne faites jamais fonctionner cet appareil si des liquides inflammables se trouvent dans un rayon de 7,5 m (25 pi).
4. Ne dépassez pas le repère de remplissage maximum du récipient de cuisson.
5. Ne laissez pas la température de l'huile dépasser 200 °C (400 °F). Si la température de l'huile dépasse 200 °C (400 °F) ou si l'huile commence à fumer, ÉTEIGNEZ immédiatement le brûleur et l'alimentation en gaz.
6. Les liquides chauds peuvent échauder longtemps après la fin de la cuisson. Ne touchez jamais l'appareil de cuisson avant que le liquide de cuisson n'ait refroidi à 45 °C (115 °F) ou moins.
7. En cas d'incendie, éloignez-vous de l'appareil et appelez immédiatement le service d'incendie. Ne tentez pas d'éteindre un feu de graisse ou d'huile avec de l'eau.



DANGER



DANGER LIÉ AU MONOXYDE DE CARBONE

- Cet appareil peut produire du monoxyde de carbone, qui est inodore.
- Son utilisation dans un endroit fermé peut vous tuer.
- Ne jamais utiliser cet appareil dans un espace fermé comme une roulotte, une tente, une voiture ou une maison.



DANGER



SI VOUS DÉTECTEZ UNE ODEUR DE GAZ :

1. Coupez l'alimentation en gaz de l'appareil.
2. Éteignez toute flamme nue.
3. Si l'odeur persiste, éloignez-vous de l'appareil et appelez immédiatement le service d'incendie.



AVERTISSEMENTS GÉNÉRAUX ET RENSEIGNEMENTS CONCERNANT LA SÉCURITÉ



LISEZ TOUTES LES INSTRUCTIONS

- Utilisez toujours l'appareil conformément à tous les codes d'incendie locaux, provinciaux et fédéraux applicables.
- Avant toute utilisation, vérifiez la totalité des écrous, des vis et des boulons afin de vous assurer qu'ils sont bien serrés.
- Ne jamais faire fonctionner l'appareil sous une structure surélevée comme une couverture, un abri d'auto, une marquise ou un porte-à-faux.
- Cet appareil est destiné exclusivement à une utilisation **RÉSIDENTIELLE À L'EXTÉRIEUR**.
- Ne jamais utiliser l'appareil dans un lieu fermé, tel qu'un patio, un garage, un édifice ou une tente.
- Ne jamais utiliser l'appareil à l'intérieur ou dans un véhicule récréatif ou un bateau.
- Gardez une distance minimale de 3 m (10 pi) entre l'appareil et une structure surélevée, un mur, une rampe ou une autre installation quelconque.
- Gardez une distance minimale de 3 m (10 pi) entre l'appareil et tout matériau combustible comme le bois, les plantes sèches, le gazon, la broussaille, ou la toile.
- Utilisez l'appareil uniquement pour la fonction pour laquelle il a été conçu. NE PAS utiliser cet appareil à des fins commerciales.
- L'utilisation d'accessoires qui n'ont pas été fournis par Masterbuilt Manufacturing, LLC n'est PAS recommandée et peut causer des blessures.
- La consommation d'alcool ou de médicaments, sous ordonnance ou en vente libre, peut affecter la capacité de l'utilisateur à assembler correctement l'appareil.
- Conservez un extincteur accessible à tout moment pendant le fonctionnement de l'appareil.
- Lorsque vous cuisez des aliments avec de l'huile ou de la graisse, ayez un extincteur de type BC ou ABC à portée de main.
- En cas de feu d'huile ou de graisse, ne tentez pas de l'éteindre avec de l'eau. Appelez immédiatement le service d'incendie. Un extincteur de type BC ou ABC pourrait, en certaines circonstances, contenir l'incendie.
- Placez l'appareil sur une surface stable, plate et non combustible comme la terre battue, le béton, la brique ou la pierre. Une surface asphaltée peut ne pas convenir dans ce but.
- L'appareil DOIT être posé au sol. Ne PAS poser l'appareil sur une table ou un comptoir. Ne PAS déplacer l'appareil sur des surfaces inégales.
- Ne PAS utiliser l'appareil sur une surface en bois ou inflammable.
- Gardez l'unité à distance de tout matériau combustible comme l'essence et les autres gaz et liquides inflammables.
- Ne PAS laisser l'appareil sans surveillance.
- Gardez les enfants et les animaux à distance de l'appareil en tout temps. NE PAS laisser les enfants utiliser l'appareil. Une surveillance attentive est nécessaire si des enfants ou des animaux de compagnie sont présents dans la zone où l'appareil est utilisé.
- Ne permettre à PERSONNE de mener des activités autour de l'appareil pendant ou après son fonctionnement tant qu'il n'a pas refroidi.
- Ne jamais mettre de verre, de plastique ni de céramique dans l'appareil. Ne pas mettre d'articles de cuisine vides dans l'appareil pendant son utilisation.
- Ne jamais déplacer l'appareil pendant l'utilisation. Attendez que l'appareil ait refroidi complètement (température inférieure à 45 °C [115 °F]) avant de le déplacer ou de l'entreposer.
- Rangez-le seulement lorsque le feu est complètement éteint et que toutes les surfaces sont froides.
- N'utilisez jamais l'appareil comme appareil de chauffage (**LISEZ LA RUBRIQUE SUR LE RISQUE LIÉ AU MONOXYDE DE CARBONE**).
- L'appareil est CHAUD en cours d'utilisation et restera CHAUD pendant un certain temps ensuite et pendant le refroidissement. Faites **ATTENTION**. Portez des gants de protection.
- Soyez prudent lorsque vous retirez des aliments de l'appareil. Toutes les surfaces sont CHAUDES et peuvent provoquer des brûlures. Utilisez des gants de protection ou des ustensiles de cuisine robustes à manche long pour vous protéger des surfaces chaudes ou des éclaboussures provenant des liquides de cuisson.
- Évitez de heurter ou de bousculer l'appareil, car cela pourrait causer des blessures, endommager l'appareil ou renverser des liquides de cuisson chauds.
- Ne PAS toucher de surfaces CHAUDES.
- L'appareil est chaud lorsqu'il est en marche. Pour éviter les brûlures, gardez le visage et le corps à l'écart du couvercle. L'utilisation génère de la vapeur et de l'air chaud.
- L'appareil génère une flamme ouverte. Gardez les mains, les cheveux et le visage à distance de la flamme du brûleur. NE PAS vous pencher au-dessus du brûleur pendant que vous l'allumez. Des cheveux non attachés ou des vêtements amples peuvent s'enflammer.
- Ne NOT obstruer la circulation des gaz de combustion ou les orifices de ventilation.
- Ne PAS couvrir la tête de cuisson avec des feuilles métalliques. Cela emprisonnerait la chaleur et pourrait endommager l'appareil.
- En cas de pluie, de neige, de grêle, de grésil ou d'une autre forme de précipitation pendant la cuisson à l'huile, recouvrez la marmite, éteignez immédiatement le brûleur et coupez l'alimentation en gaz. NE PAS déplacer le support de cuisson ou la marmite.
- Pendant la cuisson à l'huile ou à la graisse, le thermomètre fourni DOIT être utilisé. Suivez les instructions du présent manuel pour installer et utiliser le thermomètre correctement. Si le thermomètre fourni avec cet friteuse/bouilloire est perdu ou endommagé, le thermomètre de rechange doit être celui spécifié par le fabricant de l'appareil.
- Ne laissez pas la température de l'huile dépasser 200 °C (400 °F). Si la température de l'huile dépasse 200 °C (400 °F) ou si l'huile commence à fumer, éteignez immédiatement le brûleur ou coupez l'alimentation en gaz, et attendez que la température devienne inférieure à 175 °C (350 °F) avant de rallumer le brûleur conformément aux instructions du fabricant. Ne pas enlever le couvercle s'il est présent.

AVERTISSEMENTS ET MISES EN GARDE IMPORTANTES (SUITE À LA PAGE 11)



AVERTISSEMENTS GÉNÉRAUX ET RENSEIGNEMENTS CONCERNANT LA SÉCURITÉ



AVERTISSEMENTS ET MISES EN GARDE IMPORTANTES SUITE DE LA PAGE 10

- Ne PAS utiliser de marmite de plus de 34 litres (30 pintes). La marmite doit pouvoir tenir dans l'anneau de sécurité du cuiseur.
- Ne PAS dépasser le repère de remplissage maximum du récipient de cuisson.
- Ne jamais trop remplir la marmite d'huile/graisse ou d'eau. Suivez les instructions de ce manuel pour établir les bons niveaux d'huile/de graisse ou d'eau.
- Marche à suivre pour déterminer le niveau de remplissage maximum lors de l'utilisation d'un récipient sans repère de remplissage maximum :
 - A. Mettez les aliments dans la marmite ou le panier, le cas échéant.
 - B. Remplissez la marmite d'eau jusqu'à ce que les aliments soient complètement submergés. Il doit rester au moins 8 cm (3 po) entre le niveau d'huile/de graisse ou d'eau et le dessus de la marmite.
 - C. Retirez les aliments et le panier de la marmite et soit marquez le niveau de l'eau sur le côté de la marmite, soit mesurez la quantité d'eau dans la marmite.
 - D. Videz l'eau et séchez complètement la marmite, le panier et les aliments.
 - E. Vous connaissez maintenant la quantité d'huile/de graisse ou d'eau qui doit être versée dans la marmite pour faire cuire les aliments.
- Si les aliments ne sont pas complètement décongelés et séchés, l'huile ou la graisse pourrait déborder. Lorsque vous faites frire de l'huile ou de la graisse, tous les aliments doivent être complètement décongelés et séchés à la serviette pour enlever l'excès d'eau avant d'être immergés dans le pot. La présence de glace sur les aliments indique qu'ils ne sont pas complètement décongelés et qu'ils pourraient faire déborder l'huile chaude, causant un incendie.
- L'introduction d'eau ou de glace, quelle qu'en soit la source, dans l'huile ou la graisse peut causer un débordement et des brûlures graves provoquées par les éclaboussures d'huile et d'eau chaudes.
- Faites attention lorsque vous mettez des aliments dans la marmite pendant que l'appareil est en marche.
- Ne jamais laisser tomber d'aliments ou d'accessoires dans un liquide de cuisson chaud. Descendez les aliments et les accessoires lentement dans le liquide cuisson afin d'éviter les éclaboussures et les débordements. Lorsque vous retirez les aliments de l'appareil, faites attention afin d'éviter les brûlures provoquées par les liquides de cuisson chauds.
- Vérifiez le thermomètre avant chaque utilisation en le plongeant dans un récipient d'eau bouillante et en vous assurant qu'il indique environ 100 °C ± 10 °C (212 °F ± 20 °F). S'il ne fonctionne pas correctement, obtenez un thermomètre de rechange spécifié par le fabricant avant d'utiliser l'appareil.
- Même lorsque la flamme du brûleur est basse, l'huile chauffe rapidement et prend feu entre 287 °C (550 °F) et 371 °C (700 °F).
- Les liquides chauds peuvent échauder longtemps après la fin de la cuisson. Ne touchez jamais l'appareil de cuisson avant que le liquide de cuisson n'ait refroidi à 45 °C (115 °F) ou moins.
- Trébucher sur le tuyau de l'appareil pourrait faire basculer l'appareil et renverser de l'huile ou de l'eau chaude, provoquant des blessures et des dommages matériels.
- Si l'huile commence à fumer, éteignez le brûleur. Cela signifie qu'elle a dépassé la température de 200 °C (400 °F) et qu'elle va s'enflammer. Laissez l'huile refroidir jusqu'à 163 °C (350 °F) avant de rallumer le brûleur.
- Lorsque vous cuisinez à l'huile, éteignez toujours le brûleur avant de mettre les aliments dans l'huile. Rallumez-le une fois que les aliments sont submergés dans l'huile.
- Ne pas tourner le brûleur sur un réglage bas afin de garder l'huile/la graisse chaude pour l'utiliser plus tard. La température de l'huile/la graisse continuera à augmenter et celle-ci s'enflammera.
- Cet appareil doit être surveillé. Ne pas le laisser sans surveillance pendant le chauffage d'huile/de graisse ou d'eau, pendant la cuisson ou après son utilisation. L'appareil peut échauder longtemps après la fin de la cuisson. Laissez-le refroidir jusqu'à une température inférieure à 45 °C [115 °F] avant de le nettoyer et de le remiser.
- En cas de feu dans la marmite, suivez ces étapes.
 1. Fermez l'alimentation en gaz.
 2. Enfilez un gant de protection et posez un couvercle sur la marmite.
- En cas de feu hors de la marmite, suivez ces étapes.
 1. Appelez le service d'incendie.
 2. Fermez l'alimentation en gaz, si possible.
 3. Tentez d'éteindre le feu en utilisant l'extincteur indiqué.
- En cas d'incendie, éloignez-vous de l'appareil et appelez immédiatement le service d'incendie. Ne pas tenter d'éteindre un feu d'huile/de graisse avec de l'eau.
- L'installation de l'appareil doit respecter les codes locaux ou en l'absence de ceux-ci, le National Fuel Gas Code, ANSI Z223.1/NFPA 54, Storage and Handling of Liquefied Petroleum Gasses, ANSI/NFPA 58 ou CSA B149.1, Code d'installation du gaz naturel; Stockage et manutention du propane, CSA B149.2; la norme Standard for Recreational Vehicles, ANSI A119.2 / NFPA 1192 ou le Recreational Vehicle Code, CSA Z240 RV Series, selon le cas.
- Avant chaque utilisation inspectez le tuyau à gaz pour repérer la présence éventuelle de dommages.
- Gardez le tuyau d'alimentation en gaz à distance de toute surface chaude.

AVERTISSEMENTS ET MISES EN GARDE IMPORTANTES (SUITE À LA PAGE 12)



AVERTISSEMENTS GÉNÉRAUX ET RENSEIGNEMENTS CONCERNANT LA SÉCURITÉ



AVERTISSEMENTS ET MISES EN GARDE IMPORTANTES SUITE DE LA PAGE 11

- Gardez le tuyau d'alimentation en gaz à distance de l'appareil lorsque celui-ci fonctionne.
- Le régulateur et le raccord de tuyau fournis avec l'appareil **DOIVENT** être utilisés. Pour obtenir des pièces de rechange prenez contact avec le service à la clientèle de Masterbuilt au 1 800 489-1581.
- Utilisez une bouteille de gaz de 9 kg (20 lb) munie d'un collet de protection (la bouteille n'est pas fournie avec l'appareil).
- Veillez à garder les orifices de ventilation de l'enceinte de la bouteille dégagés et libres de tout débris.
- La bouteille de gaz propane utilisée doit être fabriquée et marquée conformément aux spécifications du Département des Transports des États-Unis (DOT) pour les bouteilles de gaz propane ou à la norme nationale CAN/CSA B339 de Transport Canada relative aux bouteilles, sphères et tuyaux pour le transport des marchandises dangereuses.
- Ne jamais utiliser une bouteille de gaz qui présente des signes de bosselures, d'entailles, de renflements, de dommages par le feu, d'érosion, de fuites, de rouille excessive, ou de toute autre forme de dommages externes visibles. Cela peut être dangereux et il faut, dans un tel cas, apporter la bouteille à un fournisseur de propane liquide pour la faire inspecter.
- Ne jamais fixer ou déconnecter la bouteille de gaz ni déplacer ou modifier les raccords pour le gaz lorsque l'appareil fonctionne.
- La bouteille de gaz doit être déconnectée de l'appareil lorsqu'elle n'est pas utilisée.
- L'appareil est conçu pour fonctionner au propane seulement. N'utilisez que des bouteilles de gaz portant la mention « propane » avec cet appareil.
- Ce produit ne fonctionne pas au gaz naturel.
- Lorsque vous avez fini d'utiliser, éteignez la soupape de commande du brûleur, puis éteignez le régulateur réglable, le cas échéant. Éteignez le robinet de la bouteille de gaz, puis débranchez le cylindre.
- Fermez toujours l'alimentation en gaz au niveau de la bouteille quand l'appareil n'est pas utilisé.
- La bouteille doit être entreposée à l'extérieur, hors de la portée des enfants; elle ne doit pas être entreposée dans un bâtiment, un garage ou tout autre endroit fermé.
- Ne pas conserver une bouteille de gaz de rechange sous l'appareil ni à proximité de celui-ci. La soupape de sûreté et de décharge de la bouteille peut surchauffer, ce qui permet au gaz de fuir, causant un incendie qui pourrait entraîner des blessures graves, voire la mort.
- Ne jamais remplir la bouteille à plus de 80 % de sa capacité, ce qui permet au gaz de fuir, causant un incendie qui pourrait entraîner des blessures graves, voire la mort.
- Mettez un capuchon cache-poussière sur le robinet de la bouteille lorsque celle-ci n'est pas utilisée. N'utilisez que le capuchon cache-poussière fourni avec la bouteille. D'autres capuchons ou bouchons pourraient causer des fuites.
- Si vous voyez, sentez ou entendez une fuite de gaz, éloignez-vous immédiatement de la bouteille de gaz et appelez le service d'incendie. Un incendie peut causer la mort ou des blessures graves.
- Consultez les étapes du processus d'allumage avant d'utiliser l'appareil.
- N'utilisez jamais d'essence à briquet avec du propane.

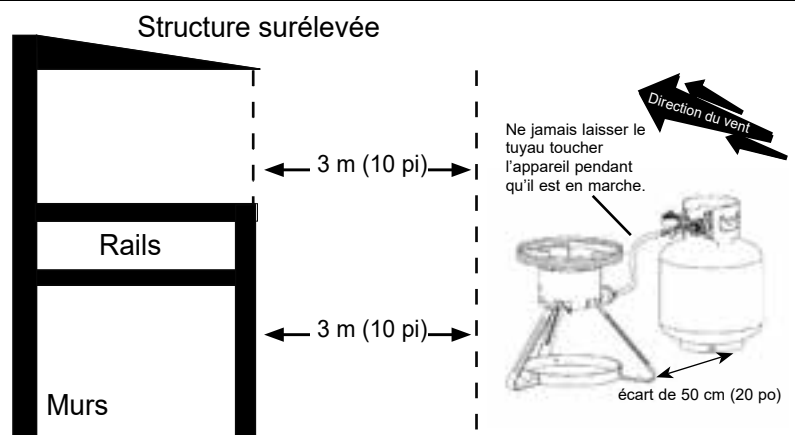
CONSERVEZ CES INSTRUCTIONS.

PROXIMITÉ AVEC LES STRUCTURES ET RECOMMANDATIONS DE SÉCURITÉ LORS DE L'UTILISATION

Avant d'utiliser le cuiseur, vérifiez la direction du vent et mettez la bouteille **AU VENT**, à la verticale à 20 po. Cela est nécessaire pour faire en sorte que le système d'alimentation de la bonbonne puisse évacuer les vapeurs et empêcher la bouteille de heurter l'appareil si elle bascule.

AVERTISSEMENT :
LE TUYAU PRÉSENTE UN RISQUE DE CHUTE.

AVERTISSEMENT : LE TUYAU PRÉSENTE UN RISQUE DE CHUTE QUI POURRAIT FAIRE BASCULER LA BOUTEILLE





AVERTISSEMENTS GÉNÉRAUX ET RENSEIGNEMENTS CONCERNANT LA SÉCURITÉ



TEST À L'EAU SAVONNEUSE POUR LE RÉGULATEUR AJUSTABLE

AVERTISSEMENTS :

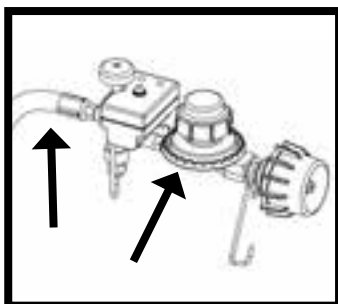
- Un test d'étanchéité à l'eau savonneuse DOIT être effectué chaque fois que la bouteille de gaz est raccordée au brûleur ou au tuyau, ou à chaque utilisation.
- Le test d'étanchéité à l'eau savonneuse DOIT être effectué à l'extérieur, dans un endroit bien ventilé.
- Pendant le test d'étanchéité à l'eau savonneuse, gardez l'appareil loin de toute flamme nue, étincelle ou cigarette allumée.
- N'utilisez en aucun cas une flamme nue pour détecter une fuite de gaz.

PRÉPARATION :

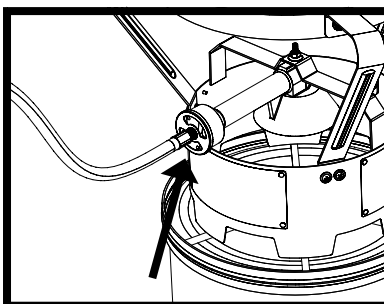
- Retirez tout ustensile ou accessoire de l'appareil.
- Assurez-vous que le robinet de la bouteille de gaz et le bouton de contrôle du brûleur sont en position OFF.
- Préparez une solution d'eau savonneuse : 1 partie de détergent à vaisselle liquide (ou plus si désiré) et 3 parties d'eau.
- Appliquez la solution d'eau savonneuse sur le robinet de la bouteille de gaz, le régulateur, ainsi que sur toute la longueur du tuyau entre la bouteille et le brûleur.



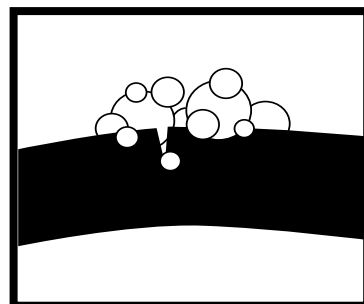
Appliquez la solution sur le robinet de la bouteille de gaz.



Appliquez la solution sur le régulateur et sur toute la longueur du tuyau.



Appliquez la solution sous l'appareil, là où le tuyau et le bouton de réglage du brûleur sont raccordés.



Si des bulles apparaissent, le test a échoué, comme illustré ci-dessous.

TEST DU ROBINET DE LA BOUTEILLE DE GAZ :

- Tournez le robinet de la bouteille de gaz à **ON** et surveillez l'apparition de bulles. **NE LAISSEZ PAS LE ROBINET OUVERT PLUS DE 12 SECONDES.** Si des bulles apparaissent, **FERMEZ** la bouteille de gaz et serrez les raccords. Recommencez le test.

TEST DU RÉGULATEUR ET DU TUYAU :

- **APRÈS** avoir testé le robinet de la bouteille de gaz à l'eau savonneuse avec succès, mettez le robinet de la bouteille de gaz à **ON**, ouvrez le régulateur ajustable en tournant le bouton d'un tour complet, puis vérifiez la formation éventuelle de bulles vis-à-vis du régulateur, tout le long du tuyau et vis-à-vis du raccord du brûleur. **NE LAISSEZ PAS LE ROBINET OUVERT PLUS DE 12 SECONDES.** Si des bulles apparaissent, arrêtez, **FERMEZ** le régulateur ajustable, **FERMEZ** le robinet de la bouteille de gaz et serrez le raccord qui fuit. Si la fuite est présente le long du tuyau, **ARRÊTEZ TOUT** : n'utilisez pas l'appareil. Le tuyau doit être remplacé.
- Lorsque le test est terminé et il n'y a aucune fuite, attendez au moins 5 minutes pour que les émanations de gaz diminuent avant d'allumer la friteuse.



AVERTISSEMENTS GÉNÉRAUX ET RENSEIGNEMENTS CONCERNANT LA SÉCURITÉ

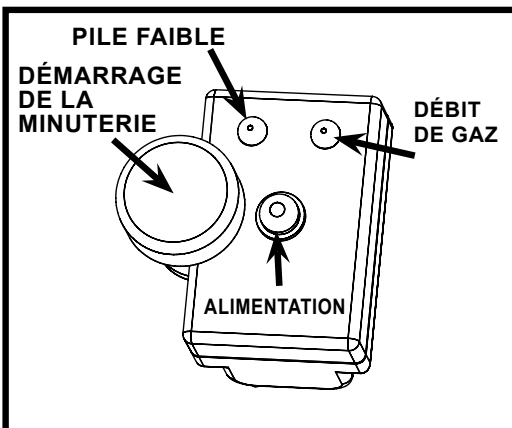


INSTRUCTIONS POUR L'ALLUMAGE

- Inspectez le tuyau avant chaque usage. En cas de signes d'abrasion, d'usure, de coupures ou de fuites, le tuyau doit être remplacé.
NE L'UTILISEZ PAS.
- Si l'appareil est doté de couvre-brûleurs, enlevez-les. N'utilisez jamais les couvre-brûleurs pendant le fonctionnement.
- Inspectez le brûleur avant chaque utilisation. Vérifiez qu'il n'y a pas d'insectes ou de nids d'insectes dans le brûleur ou le tube venturi. Un tube bouché peut provoquer un incendie sous l'appareil.
- Vérifiez que l'orifice est bien centré à l'intérieur du tube venturi. L'omission de bien assembler l'orifice du robinet avec le tube du brûleur peut causer une fuite de gaz ou un risque d'incendie à l'endroit du raccordement. Consultez les étapes de l'assemblage pour la méthode d'assemblage appropriée.
- Connectez le tuyau du régulateur à la bouteille de gaz.
 - Assurez-vous que le robinet de la bouteille de gaz est fermé. Tournez le robinet dans le sens horaire jusqu'à l'arrêt.
 - Assurez-vous que le régulateur ajustable de l'appareil est en position **OFF**.
 - S'il y a lieu, enlevez le capuchon de protection et l'écrou de raccord du robinet de la bouteille de gaz.
 - Insérez le mamelon du régulateur bien au centre dans le robinet de la bouteille de gaz, tel qu'illustré sur le schéma de gauche. Tournez l'écrou de raccord du régulateur dans le sens horaire jusqu'à ce qu'il s'arrête. **NE SERREZ PAS TROP.**
- Faites un test avec de l'eau savonneuse.
- Avant d'entamer le processus d'allumage, assurez-vous que tous les accessoires et contenants de cuisson ont été retirés de l'appareil.
- Pour éviter une accumulation de gaz lors de l'allumage du brûleur, retirez toutes les pièces situées à l'intérieur ou sur l'appareil.

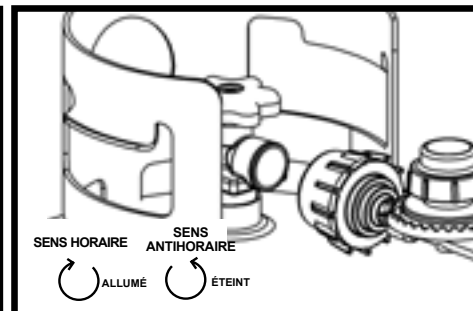
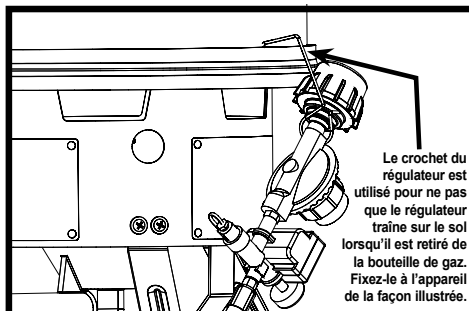
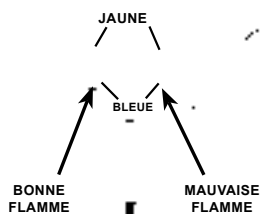
UTILISATION :

- Ouvrez le robinet de la bouteille de gaz.
- Tournez le bouton de réglage du régulateur ajustable d'un tour complet dans le sens horaire.
- Allumez la minuterie en appuyant sur le bouton de marche/arrêt sur celle-ci.
- Appuyez sur le bouton rouge pour démarrer la minuterie
 - Cela activera le débit du gaz pendant 15 minutes.
 - Vous devrez continuer à appuyer sur le bouton rouge toutes les 15 minutes pour que la flamme ne s'éteigne pas.
- Si l'appareil a un bouton d'allumage, appuyez dessus pour allumer l'appareil. Si l'appareil n'a pas de bouton d'allumage, suivez les instructions pour un allumage avec une allumette.



- Si l'allumage n'a pas lieu en moins de cinq secondes, tournez le régulateur ajustable sur la position **OFF** et attendez cinq minutes avant de recommencer la procédure d'allumage. Si l'allumage ne se produit toujours pas, consultez les instructions d'allumage avec allumette ci-dessous.
- Si la flamme s'éteint pendant la cuisson, tournez le régulateur ajustable sur la position **OFF**, **fermez** le robinet de la bouteille de gaz, retirez les accessoires ou les contenants de cuisson de l'appareil et attendez 5 minutes avant de recommencer les instructions d'allumage ci-dessus.
- Le régulateur ajustable permet d'ajuster la hauteur des flammes du brûleur. Tournez le bouton du régulateur dans le sens horaire pour diminuer la flamme. Pour augmenter la flamme, tournez le bouton **LENTEMENT** dans le sens antihoraire. Pour éteindre la flamme, tournez le bouton du régulateur dans le sens horaire jusqu'à ce qu'il s'arrête.
- Vérifiez visuellement la flamme du brûleur. Une **BONNE FLAMME** devrait être bleue avec un peu de jaune à la pointe. Une **MAUVAISE FLAMME** est trop jaune et irrégulière. En cas de mauvaise flamme, tournez le bouton de contrôle du brûleur sur la position **OFF**, et **FERMEZ** le régulateur et le robinet de la bouteille de gaz. Laissez l'appareil refroidir, puis nettoyez le brûleur. Laissez le brûleur sécher complètement avant de le rallumer. Ajustez le registre d'air du brûleur jusqu'à ce que la flamme soit la plus bleue possible, voir l'illustration ci-dessous.
- Après l'usage, **FERMEZ** le bouton de contrôle du brûleur, puis **FERMEZ** le robinet de la bouteille de gaz et débranchez le réservoir.
- Les régulateurs de type 1 sont dotés d'un crochet comme illustré ci-dessous. Le crochet du régulateur est utilisé pour ne pas que le régulateur traîne sur le sol lorsqu'il est retiré de la bouteille de gaz. Fixez-le à l'appareil de la façon illustrée.

Ajustez le registre d'air du brûleur jusqu'à ce que la flamme soit la plus bleue possible.

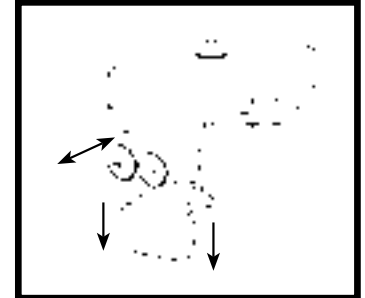
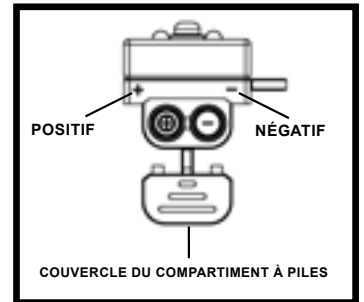


INSTALLATION DES PILES DE LA MINUTERIE

Remplacez les piles lorsque le voyant indicateur de piles basses s'allume. Déconnectez le régulateur du réservoir avant l'installation ou le remplacement.



1. Trouvez le couvercle du compartiment à piles sur la minuterie.
2. Enfoncez la languette du couvercle du compartiment à piles, puis poussez pour enlever le couvercle.
3. Insérez 2 piles alcalines AAA. Vérifiez les symboles positif (+) et négatif (-) sur le boîtier et les piles pour s'assurer qu'elles sont installées correctement.
4. Remettez en place le couvercle du compartiment à piles.
5. Pour installer et enlever les piles, recommencez cette procédure.



ATTENTION

Tenez les piles à l'écart des jeunes enfants. Si une pile est avalée, consultez immédiatement un médecin.
Assurez-vous d'installer les piles correctement.
Une installation incorrecte pourrait entraîner des fuites ou une explosion possible.
Ne pas jeter les piles usées dans le feu.

INSTRUCTIONS POUR ALLUMAGE AVEC UNE ALLUMETTE

1. Lisez la totalité des instructions et des avertissements avant l'allumage.
2. Vérifiez le robinet de contrôle du gaz ou le régulateur et le robinet de la bouteille de gaz pour vous assurer que tout est éteint avant d'effectuer le branchement sur la bouteille de gaz.
3. Faites un test à l'eau savonneuse avant chaque utilisation.
4. Retirez tous les accessoires et contenants de cuisson qui se trouvent dans ou sur l'appareil.
5. Ouvrez le robinet de la bouteille de gaz, puis le robinet de contrôle du gaz ou le régulateur.
6. Placez une longue allumette allumée assez près du brûleur pour que celui-ci s'allume.
7. Si le brûleur ne s'allume pas en moins de cinq secondes, remettez le robinet de contrôle du gaz ou le régulateur sur la position OFF et attendez cinq minutes et recommencez les instructions pour un allumage avec une allumette.
8. Après chaque utilisation, fermez le robinet de contrôle du gaz ou le régulateur, puis fermez le robinet de la bouteille de gaz. Laissez toujours l'appareil refroidir complètement avant de le toucher, de le déplacer ou de l'entreposer.



ADVERTENCIA



- Este manual contiene información importante necesaria para el ensamblaje correcto y uso seguro del aparato.
- Lea y siga todas las advertencias e instrucciones antes de ensamblar y usar el aparato.
- Siga todas las advertencias e instrucciones cuando use el aparato.
- Conserve este manual para referencia en el futuro.



Si no sigue estas instrucciones, podría producirse un peligro de incendio, explosión o quemadura, lo cual podría causar daños a la propiedad, lesiones personales o la muerte.



ADVERTENCIA



PROPUESTA 65 DE CALIFORNIA

1. Los subproductos combustibles producidos a raíz de la utilización de este producto contienen químicos cuyos efectos son reconocidos por el Estado de California por causar cáncer, defectos de nacimiento y otros daños reproductivos.
2. Este producto contiene químicos, cuyos efectos son reconocidos por el Estado de California por causar cáncer, defectos de nacimiento u otros daños reproductivos.



PELIGRO



1. Nunca opere este artefacto desatendido.
2. Nunca opere este artefacto dentro de 10 pies (3 m) de cualquier estructura, material combustible u otro cilindro de gas.
3. Nunca opere este artefacto dentro de 25 pies (7.5 m) de líquidos inflamables.
4. No llene el recipiente de cocción más allá de la línea máxima de llenado.
5. Nunca permita que el aceite se caliente más de 400° F (200° C). Si la temperatura excede 400° F (200° C) o si el aceite comienza a ahumar, APAGUE inmediatamente el quemador o el suministro de gas.
6. El líquido calentado puede permanecer a temperaturas hirvientes largo tiempo después del proceso de cocción. Nunca toque el aparato de cocción hasta que el líquido de cocción se haya enfriado por debajo de 115° F (45° C).
7. Si ocurriera un incendio, manténgase alejado del artefacto y llame inmediatamente a su estación de bomberos. No intente apagar un incendio de aceite o grasa con agua.



PELIGRO



PELIGRO DE MONÓXIDO DE CARBONO

- Este aparato puede generar monóxido de carbono, el cual no tiene olor.
- Usarlo en un espacio cerrado puede matarlo.
- Nunca use este aparato en un espacio cerrado como una autocaravana, tienda, auto o en el hogar.



PELIGRO



SI HUELE GAS:

1. Apague el gas que se dirige al artefacto.
2. Apague cualquier llama abierta.
3. Si el olor continúa, aléjese del artefacto y llame inmediatamente a su Departamento de bomberos.



INFORMACIÓN DE SEGURIDAD Y ADVERTENCIAS GENERALES



LEA TODAS LAS INSTRUCCIONES

- Siempre use la unidad en conformidad con todos los códigos contra incendios locales, estatales y federales aplicables.
- Antes de cada uso, verifique todas las tuercas, tornillos y pernos para asegurarse que estén firmes y asegurados.
- Nunca opere esta unidad bajo cualquier construcción aérea, como cubiertas de techos, porches de autos, toldos o voladizos.
- La unidad es SOLO PARA USO EN EXTERIORES DEL HOGAR.
- Nunca use dentro de áreas cerradas como patios, garajes, edificios o tiendas.
- Nunca use dentro o sobre botes o vehículos recreativos.
- Mantenga una distancia mínima de 10 pies (3m) de construcciones aéreas, paredes, rieles u otras estructuras.
- Mantenga un mínimo de 10 pies (3m) de espacio libre de todos los materiales combustibles como madera, plantas secas, césped, escobillas, papel o lienzos.
- Nunca use esta unidad para ninguna otra cosa que no sea su propósito intencionado. Esta unidad NO es para uso comercial.
- NO se recomienda usar accesorios adicionales no suministrados por Masterbuilt Manufacturing, LLC; estos podrían causar lesiones.
- El uso de alcohol y de medicamentos con o sin receta pueden obstaculizar la habilidad del usuario de ensamblar correctamente u operar con seguridad la unidad.
- Conserve un extintor de incendios accesible en todo momento mientras opere la unidad.
- Cuando cocine con aceite o grasa, tenga un extintor tipo BC o ABC a disponibilidad.
- En caso de un incendio de aceite o grasa, no intente extinguirlo con agua. Llame inmediatamente al departamento de bomberos. En ciertos casos, un extintor tipo BC o ABC puede contener el incendio.
- Use la unidad sobre una superficie no combustible y estable tal como tierra, concreto, ladrillo o piedra. Mejor no utilizar una superficie de asfalto (bituminosa) para este propósito.
- La unidad DEBE estar sobre el suelo. NO coloque la unidad sobre mesas o mostradores. NO mueva la unidad por superficies desniveladas.
- NO use la unidad en superficies de madera o inflamables.
- Mantenga el área alrededor de la unidad despejada y libre de materiales combustibles, como gasolina y otros vapores y líquidos inflamables.
- NO deje la unidad desatendida.
- Mantenga a los niños y mascotas lejos de la unidad en todo momento. NO permita que los niños usen la unidad. Es necesaria una supervisión cercana si hay niños o mascotas en el área donde se usa la unidad.
- NO permita que nadie realice actividades alrededor a esta unidad durante o después de su uso hasta que se haya enfriado.
- Nunca use recipientes de vidrio, plástico o cerámica en la unidad. Nunca coloque utensilios vacíos en la unidad mientras esté en uso.
- Nunca mueva la unidad cuando esté en uso. Deje que la unidad se enfríe completamente (por debajo de los 115°F (45°C) antes de moverla o guardarla.
- Almacene únicamente cuando el fuego esté totalmente apagado y todas las superficies estén frías.
- Nunca utilice esta unidad como un calentador (LEER PELIGRO DE MONÓXIDO DE CARBONO).
- La unidad está CALIENTE mientras está en uso y permanecerá CALIENTE por un cierto período de tiempo y durante el proceso de enfriamiento. Tenga PRECAUCIÓN. Use guantes/mitones de protección.
- Tenga cuidado cuando retire los alimentos de la unidad. Todas las superficies están CALIENTES y pueden causar quemaduras. Use guantes/mitones de protección o herramientas de cocción resistentes y largas para protegerse de las superficies calientes o las salpicaduras de los líquidos de la cocción.
- NO choque o golpee la unidad para evitar lesiones personales, daños a la unidad o derrames/salpicaduras del líquido de cocción caliente.
- NO toque las superficies CALIENTES.
- La unidad está caliente durante su uso. Para evitar quemaduras, mantenga la cara y el cuerpo alejados de la tapa. Se expelen vapor y aire caliente durante el uso.
- La unidad tiene una llama abierta.
- Mantenga sus manos, cabello y rostro lejos de la llama del quemador. NO se incline sobre el quemador mientras lo esté encendiendo. El cabello y la ropa sueltos pueden incendiarse.
- NO obstruya el flujo de combustión y ventilación.
- NO cubra las rejillas de cocción con papel aluminio. Esto atraparé el calor y podría causar daños a la unidad.
- En caso de lluvia, nieve, granizo, aguanieve u otra forma de precipitación mientras cocina con aceite, cubra el recipiente de cocción y apague inmediatamente el(los) quemador(es) o el suministro de gas. NO MUEVA el soporte u olla de la cocina.
- Cuando cocine con aceite o grasa, SE DEBE usar el termómetro provisto. Siga las instrucciones en este manual para una correcta instalación y uso del termómetro. Si el termómetro provisto con esta freidora/cocina se ha perdido o está dañado, el termómetro de reemplazo debe ser uno especificado por el fabricante del aparato. Nunca permita que el aceite se caliente más de 400° F (200° C). Si la temperatura excede 400° F (200° C) o si el aceite comienza a ahumar, APAGUE inmediatamente el quemador o suministro de gas y espere que la temperatura disminuya a menos de 350°F (175° C) antes de volver a encender el quemador según las instrucciones del fabricante. Si hay una tapa (cubierta), no la retire.

**LAS ADVERTENCIAS Y SALVAGUARDAS
IMPORTANTES CONTINÚAN EN LA PÁGINA 18**



INFORMACIÓN DE SEGURIDAD Y ADVERTENCIAS GENERALES



ADVERTENCIAS Y SALVAGUARDAS IMPORTANTES CONTINUACIÓN DESDE LA PÁGINA 17

- NO use una olla o recipiente de cocción mayor de 30 cuartos (28 litros). La olla de cocción debe caber dentro del anillo de seguridad de la estufa.
- NO llene la olla de cocción más allá de la línea máxima de llenado.
- Nunca llene demasiado la olla de cocción con aceite/grasa u agua. Siga las instrucciones del manual para los niveles correctos de aceite/grasa o agua.
- Instrucciones para determinar el nivel de llenado máximo cuando use una olla sin una línea máxima de llenado:
 - A. Coloque los alimentos en la olla o cesta, si la está usando.
 - B. Llene la olla con agua justo hasta que el alimento esté completamente sumergido. Tiene que haber un mínimo de 3 pulgadas (8 cm) entre el nivel de aceite/grasa o agua y la parte superior de la olla.
 - C. Retire el alimento de la olla y marque el nivel del agua en el lado de la olla o mida la cantidad de agua en la olla.
 - D. Retire el agua y seque completamente la olla y el alimento.
 - E. Esta es la cantidad de aceite/grasa o agua a la que debe llenarse la olla para cocinar el alimento.
- Si no se descongela y seca por completo los alimentos, el aceite o la grasa pueden desbordarse. Al freír con aceite o grasa, todos los alimentos deben descongelarse completamente y secarse con una toalla para eliminar el exceso de agua antes de sumergirlos en la olla. Si el hielo está presente en el alimento, esto significa que el proceso de descongelación no está completo y puede causar un desborde cuando se coloca en aceite caliente, causando un incendio.
- La introducción de agua o hielo desde cualquier fuente en el aceite/grasa puede causar desbordes y quemaduras severas por el aceite caliente y las salpicaduras de agua.
- Use precaución cuando coloque el alimento en la olla de cocción mientras el aparato está en operación.
- Nunca deje caer los alimentos o accesorios en el líquido de cocción caliente. Baje los alimentos y accesorio lentamente dentro del líquido de cocción para evitar salpicaduras o desbordes. Cuando retire los alimentos del aparato, debe tener cuidado para evitar las quemaduras de los líquidos de cocción caliente.
- Revise el termómetro antes de cada uso insertándolo en una olla con agua hirviendo y asegurándose que registre aproximadamente $212^{\circ}\text{F} \pm 20^{\circ}\text{F}$ ($100^{\circ}\text{C} \pm 10^{\circ}\text{C}$). Si no funciona correctamente, obtenga un termómetro de reemplazo especificado por el fabricante antes de usar el aparato.
- Incluso cuando el quemador esté con la llama baja, el aceite puede calentarse rápidamente y encenderse a $550^{\circ} - 700^{\circ}\text{F}$.
- El líquido calentado puede permanecer a temperaturas hirvientes largo tiempo después del proceso de cocción. Nunca toque el aparato de cocción hasta que el líquido de cocción se haya enfriado por debajo de 115°F (45°C) o menos.
- Si se tropieza con la manguera del aparato, puede derramar aceite o agua caliente causando lesiones personales y daños a la propiedad.
- Si el aceite comienza a ahumar, apague el quemador. Esto significa que el aceite ha excedido 400°F y va a arder. Deje que el aceite se enfríe a 350°F antes de volver a encender el quemador.
- Cuando cocine con aceite siempre apague el quemador antes de bajar los alimentos al aceite. Vuelva a encender luego que los alimentos se hayan sumergido en el aceite.
- No baje el quemador a una configuración menor para mantener el aceite/la grasa caliente para uso posterior. La temperatura del aceite/grasa seguirá aumentando y podría arder.
- No se debe dejar desatendido este aparato. No deje el aparato desatendido mientras calienta aceite/grasa o agua, cocina alimentos o después de su uso. El aparato permanece a temperaturas hirvientes largo tiempo después que la cocción ha terminado. Deje que se enfríe por debajo de 115°F (45°C) antes de limpiar y almacenar.
- Si ocurre un incendio dentro de la olla, siga estos pasos:
 1. Apague el suministro de gas.
 2. Usando un guante de protección, cubra la olla con una tapa.
- Si ocurre un incendio fuera de la olla, siga estos pasos:
 1. Llame al departamento de bomberos.
 2. De ser posible, apague el suministro de gas.
 3. Intente apagar el fuego con el extintor de incendios especificado.
- Si ocurriera un incendio, manténgase alejado del artefacto y llame inmediatamente a su departamento de bomberos. No intente apagar un incendio de aceite/grasa con agua.
- La instalación de la unidad debe estar conforme a los códigos locales o en la ausencia de estos, al Código nacional de gas combustible, ANSI Z223.1/ NFPA 54, Almacenamiento y manejo de gases de petróleo licuados, ANSI/NFPA 58 o CSA B149.1, al Código de instalación de gas natural; Almacenamiento y manejo de propano, CSA B149.2; o la Norma para vehículos recreacionales, ANSI A119.2/ NFPA 1192; y el Código de vehículos recreacionales, CSA Z240 serie RV, según corresponda.
- Antes de cada uso inspeccione la manguera de gas en busca de signos de daño.
- Mantenga la manguera de suministro de combustible lejos de cualquier superficie calentada.

ADVERTENCIAS Y SALVAGUARDAS IMPORTANTES CONTINÚAN EN LA PÁGINA 19



INFORMACIÓN DE SEGURIDAD Y ADVERTENCIAS GENERALES



ADVERTENCIAS Y SALVAGUARDAS IMPORTANTES CONTINUACIÓN DESDE LA PÁGINA 18

- Mantenga la manguera de suministro de combustible lejos de la unidad mientras esté en operación.
- Se **DEBE** usar el ensamblaje del regulador y la manguera suministrado con esta unidad. Si necesita repuestos, contáctese con el Servicio al cliente de Masterbuilt al 1-800-489-1581.
- Use un cilindro de gas de 20LB (9kgs) que tenga un anillo protector (el cilindro no viene incluido con la unidad).
- Mantenga las aberturas de ventilación del recinto del cilindro libres y despejadas.
- El cilindro de gas LP que se usa debe estar construido y marcado en conformidad con las especificaciones de cilindros de gas LP del Departamento de Transporte de los EE. UU. (DOT) o la Norma de cilindros, esferas y tubos para el transporte de artículos peligrosos, CAN/CSA-B339.
- Nunca use el cilindro de gas si hay evidencia de ranuras, hendiduras, bultos, daños de incendio, erosión, fugas, óxido u otras formas de daños externos visibles. Esto puede ser peligroso y el cilindro deberá llevarse a un proveedor de propano líquido para ser ser
- Nunca conecte/desconecte el cilindro de gas, mueva o modifique los aditamentos del gas cuando la unidad esté en operación.
- Siempre desconecte el cilindro de gas de la unidad cuando no esté en uso.
- La unidad ha sido diseñada para funcionar únicamente con gas propano. Solo use cilindros de gas que tengan la marca de propano con esta unidad.
- Este producto no funcionará con gas natural.
- Cuando termine de usar, apague la válvula de control del quemador, luego apague el regulador ajustable, si corresponde. Apague la válvula del cilindro de gas, luego desconecte el cilindro.
- El gas debe apagarse en el cilindro de suministro cuando no esté en uso.
- El cilindro debe almacenarse en exteriores, fuera del alcance de los niños y no debe almacenarse en un edificio, garaje u otra área cerrada.
- No almacene cilindros de repuesto de gas LP bajo o cerca de la unidad. La válvula de alivio de seguridad del cilindro de gas puede sobrecalentarse, permitiendo al gas liberarse causando un incendio, que podría causar la muerte o lesiones graves.
- Nunca llene el cilindro más del 80%, de lo contrario, éste podría liberar gas causando un incendio, que podría causar la muerte o lesiones graves.
- Coloque una tapa guardapolvos en la salida de la válvula del cilindro cuando no esté en uso. Solamente instale la tapa guardapolvos que viene con el cilindro. Otras tapas o taponos podrían causar fugas.
- Si huele, escucha u observa gas escapando, retírese inmediatamente del cilindro de gas y llame al Departamento de bomberos. El fuego puede causar la muerte o lesiones graves.
- Revise los pasos de encendido antes de usar.
- Nunca use líquido de encendedor con propano.

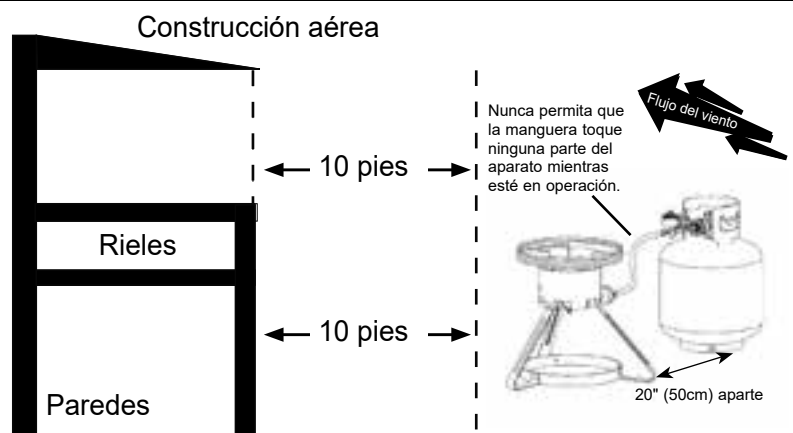
CONSERVE ESTAS INSTRUCCIONES

RECOMENDACIONES DE PROXIMIDAD ESTRUCTURAL Y USO SEGURO

Antes de usar la cocina, revise la dirección del viento y coloque el cilindro contra el viento 20 pulgadas (1/2 m) en posición recta. Esto es necesario para que el sistema de suministro del cilindro quede configurado para la remoción del vapor y evitar que el cilindro golpee a la unidad si se vuelca.

ADVERTENCIA: LA MANGUERA ES UN PELIGRO DE TROPIEZO

ADVERTENCIA: LA MANGUERA ES UN PELIGRO DE TROPIEZO QUE PODRÍA CAUSAR EL VUELCO DE UN CILINDRO DE SUMINISTRO





INFORMACIÓN DE SEGURIDAD Y ADVERTENCIAS GENERALES



PRUEBA DE AGUA JABONOSA PARA EL REGULADOR AJUSTABLE

ADVERTENCIAS:

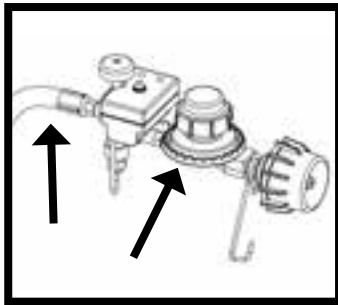
- La prueba de agua jabonosa DEBE realizarse cada vez que se conecta el cilindro de gas al quemador/a la manguera o cada vez que se usa la unidad.
- La prueba de agua jabonosa DEBE realizarse en exteriores, en un área bien ventilada.
- Al realizar la prueba de agua jabonosa mantenga la parrilla lejos de llamas abiertas, chispas o cigarrillos prendidos.
- Nunca use una llama abierta para probar fugas de gas.

PREPARACIÓN:

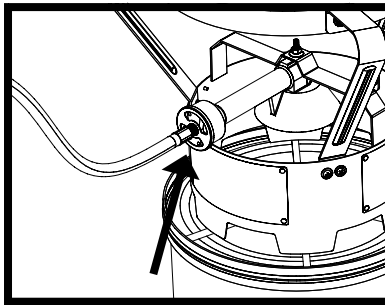
- Retire todo utensilio de cocina y accesorio de la unidad.
- Asegúrese que el regulador y la válvula del cilindro de gas estén apagados.
- Prepare la solución de agua jabonosa: (1) parte de líquido lavaplatos (o más, si desea), (3) partes de agua.
- Aplique la solución de agua jabonosa a la válvula del cilindro de gas, al regulador y a la manguera hasta llegar a la válvula de control del quemador.



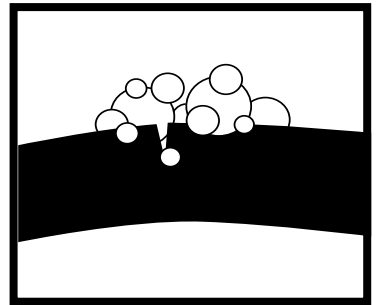
Aplique la solución a la válvula del cilindro de gas.



Aplique la solución al regulador ajustable y a toda la extensión de la manguera.



Aplique la solución por debajo de la unidad en la manguera y en la conexión del quemador.



Una prueba fallida presentará burbujas como se muestra a continuación.

PRUEBA DE LA VÁLVULA DEL CILINDRO DE GAS:

- Encienda la válvula del cilindro de gas y observe si hay burbujas. **NO DEJE EL GAS ENCENDIDO POR MÁS DE 12 SEGUNDOS.** Si aparecen burbujas, pare, **APAGUE** la válvula del cilindro de gas y reajuste los accesorios. Repita la prueba.

PRUEBA DEL REGULADOR Y LA MANGUERA:

- **DESPUÉS** que la válvula del cilindro de gas ha pasado la Prueba de agua jabonosa, **ENCIENDA** la válvula del cilindro de gas, abra el regulador ajustable girando la perilla de rotación un giro entero y revise si hay burbujas en la válvula de control del quemador, a todo lo largo de la manguera y en la conexión del quemador. **NO DEJE EL GAS ENCENDIDO POR MÁS DE 12 SEGUNDOS.** Si aparecen burbujas, deténgase, apague el regulador ajustable, apague la válvula de cilindro del gas y vuelva a ajustar la conexión de donde se está fugando el gas. Si la manguera es la fuente de la fuga, **PARE**, no use la unidad. La manguera debe reemplazarse.
- Cuando la prueba esté lista y si no hay fugas, espere como mínimo 5 minutos para que disminuyan los vapores del gas antes de encender la freidora.



INFORMACIÓN DE SEGURIDAD Y ADVERTENCIAS GENERALES

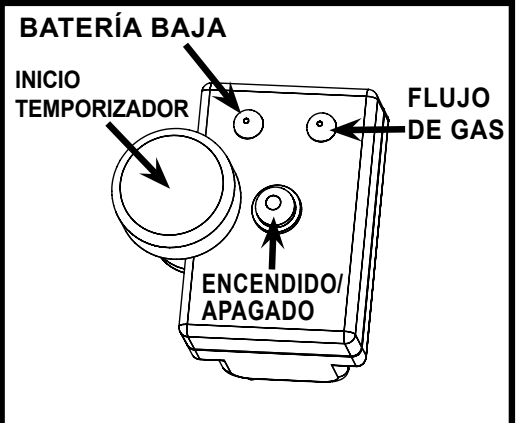


INSTRUCCIONES DE ENCENDIDO

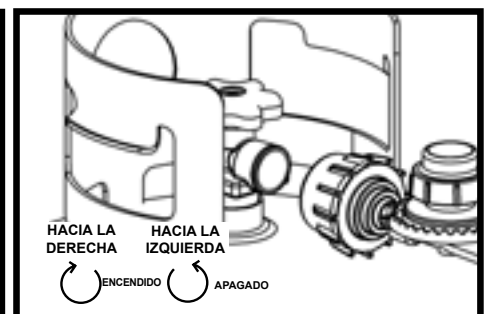
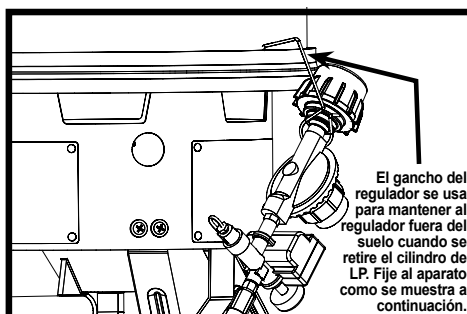
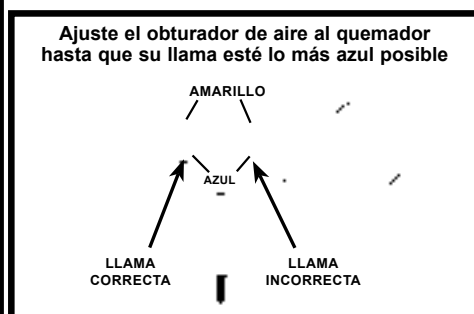
- Inspeccione la manguera antes de cada uso. Si hay señales de abrasión, desgaste, cortes o fugas, reemplace la manguera. **NO USAR.**
- Si la unidad viene equipada con cubiertas para el quemador, retira las cubiertas. Nunca use las cubiertas del quemador durante la operación.
- Inspeccione el quemador antes de cada uso. Revise el quemador y el tubo de venturi del quemador en busca de insectos y nidos de insectos. Un tubo obstruido puede conllevar a un incendio debajo de la unidad.
- Revise para ver si el orificio está centrado dentro del tubo de venturi. Si no ensambla el orificio de la válvula correctamente al tubo de venturi, puede haber un escape de gas o un incendio potencial en la conexión. Ver pasos de ensamblaje para el método de ensamblaje correcto.
- Conecte el regulador de la manguera a un cilindro de gas LP
 1. Asegúrese que la válvula del cilindro de gas esté cerrada. Gire la perilla hacia la derecha hasta que pare.
 2. Asegúrese que el regulador ajustable en la unidad se encuentre en posición de **APAGADO**.
 3. Retire la tapa protectora del cilindro de gas y la tuerca de acople, de ser aplicable.
 4. Centre e inserte la boquilla del regulador en la salida de la válvula en el cilindro de gas como se muestra en la figura de la izquierda. Gire la tuerca del acople del regulador hacia la derecha hasta que pare. **NO AJUSTAR DEMASIADO.**
- Realice la prueba de agua jabonosa.
- Antes de comenzar el procedimientos de encendido asegúrese que todos los accesorios y recipientes de cocina se hayan retirado de la unidad.
- Cuando encienda el quemador, retire todas las partes internas de la unidad para evitar una explosión debido a la acumulación de gas.

PARA USAR:

1. Encienda la válvula del cilindro de gas.
2. Gire la perilla del regulador ajustable hacia la izquierda 1 giro entero.
3. Encienda el temporizador presionando el botón de encendido en el mismo.
4. Presione el botón rojo para iniciar el temporizador.
 - Esto permitirá que el gas fluya por 15 minutos.
 - Debe continuar presionando el botón rojo cada 15 minutos para que la llama no se extinga.
5. Si la unidad tiene un botón arrancador, presione el botón del arrancador para que se encienda. Si la unidad no tiene un botón arrancador, entonces siga las instrucciones para el encendido con fósforos.



- Si no ocurre la ignición dentro de cinco segundos, apague el regulador ajustable y espere cinco minutos y repita los procedimientos de encendido. Si aun así, no se da la ignición, lea las instrucciones para el encendido con fósforos a continuación.
- Si la llama se apaga durante la cocción, apague el regulador ajustable, apague la válvula del cilindro de gas, retire cualquier accesorio o recipiente de cocción de la unidad y espere 5 minutos, luego repita las instrucciones de encendido anteriores.
- El regulador ajustable se ajusta a la llama del quemador. Gire la perilla del regulador hacia la derecha para reducir la llama. Gire la válvula hacia la izquierda **LENTAMENTE** para aumentar la llama. Gire la perilla del regulador hacia la derecha hasta que se detenga para apagar la llama.
- Verifique visualmente la llama del quemador. Una **LLAMA CORRECTA** debe ser azul con una pequeña porción de amarillo en la punta. Una **LLAMA INCORRECTA** es excesivamente amarilla e irregular. Si se da una llama incorrecta, apague la válvula de control del quemador, apague el regulador y la válvula del cilindro de gas. Deje que la unidad se enfríe y luego limpie el quemador. Deje que el quemador esté completamente seco antes de volver a encender. Ajuste el obturador de aire al quemador hasta que su llama esté lo más azul posible. Ver imagen a continuación.
- Luego del uso, apague la válvula de control del quemador, luego apague la válvula del cilindro de gas y desconecte el tanque.
- Los reguladores Tipo 1 tendrán un gancho como se muestra en la imagen a continuación. El gancho del regulador se usa para mantener el regulador fuera del suelo cuando se retire el cilindro de LP. Fije a la unidad como se muestra en la imagen.

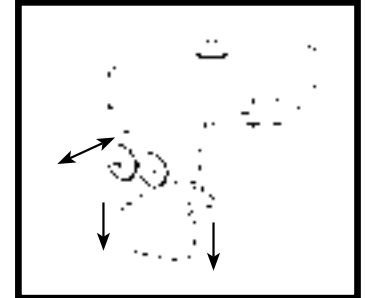
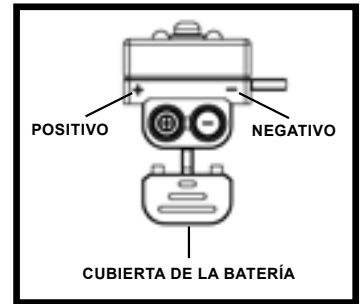


INSTALACIÓN DE LA BATERÍA PARA EL TEMPORIZADOR

Reemplace las baterías cuando la luz de batería baja esté encendida. Desconecte el regulador del tanque antes de la instalación o reemplazo.



1. Ubique la cubierta de la batería en el temporizador.
2. Presione y deslice la cubierta de la batería como se muestra.
3. Instale 2 baterías alcalinas "AAA". Revise los símbolos de positivo (+) y negativo (-) en el estuche y en la batería, para asegurar una correcta instalación.
4. Reemplace la cubierta de la batería.
5. Para el retiro y reemplazo de la batería, repita este procedimiento.



! PRECAUCIÓN !

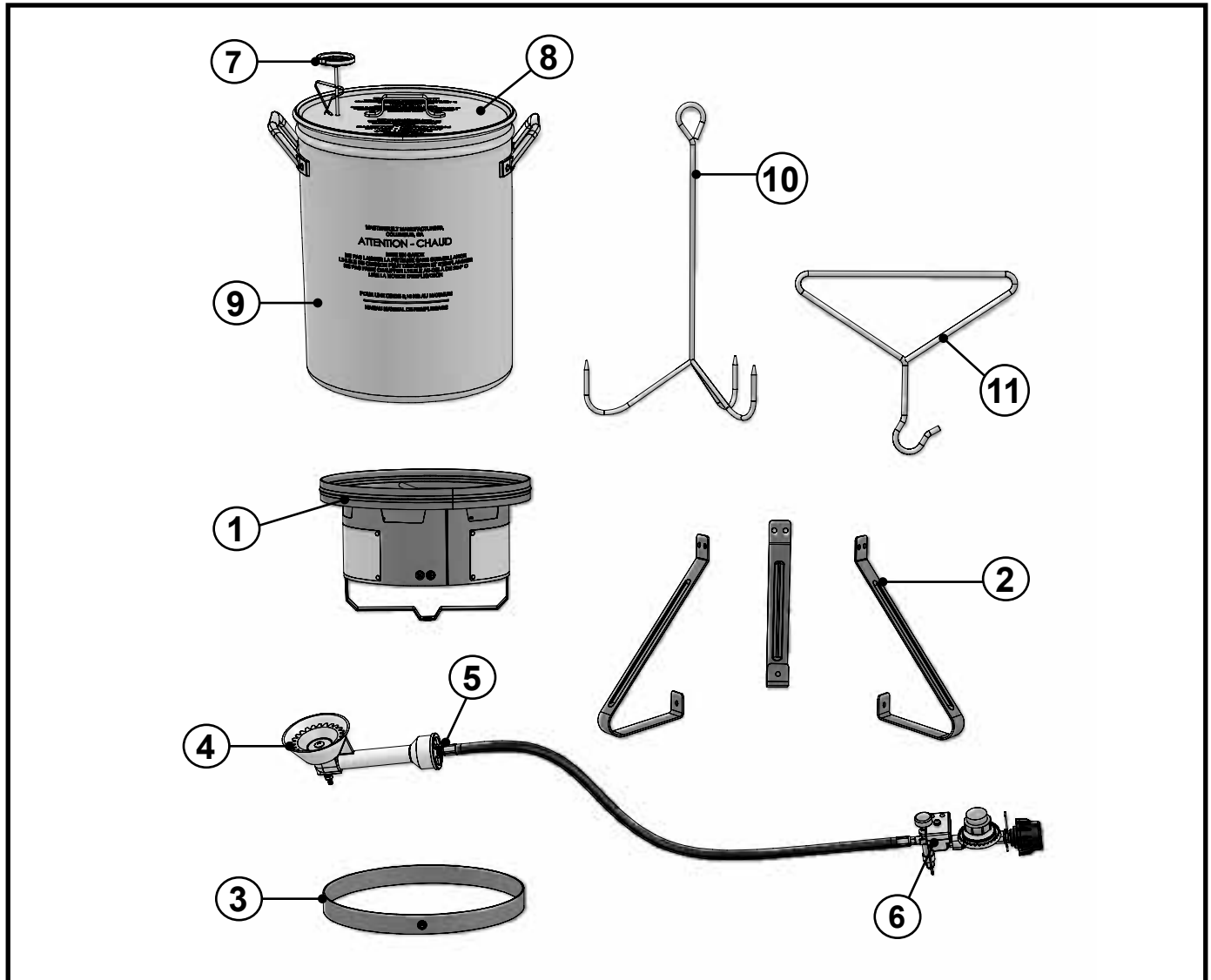
Mantenga las baterías lejos de niños pequeños. Si se traga una batería, consulte inmediatamente con un médico. Asegúrese de insertar las baterías correctamente. Una instalación incorrecta puede dar como resultado fugas y/o una posible explosión.

No deseche las baterías en el fuego.

INSTRUCCIONES PARA EL ENCENDIDO CON FÓSFOROS

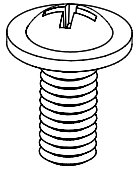
1. Lea todas las instrucciones y advertencias antes del encendido.
2. Revise la válvula/regulador de control del gas y la válvula del cilindro del gas para asegurarse que estén apagadas antes de conectarlas al cilindro de gas.
3. Realice la prueba de agua jabonosa antes de cada uso.
4. Retire todos los accesorios y recipientes de cocción de la unidad.
5. Encienda la válvula del cilindro de gas, luego encienda la válvula/el regulador del control de gas.
6. Coloque un fósforo largo, de esos para encender chimeneas, lo suficientemente cerca al quemador para que se encienda.
7. Si no ocurre la ignición dentro de cinco segundos, apague la válvula/el regulador de control y espere cinco minutos y repita las instrucciones para el encendido con fósforos.
8. Después de cada uso, primero apague la válvula/el regulador de control de gas y luego apague la válvula del cilindro de gas. Siempre permita que la unidad se enfríe completamente antes de tocarla, moverla o almacenarla.

PARTS LIST, LISTE DES PIÈCES, LISTA DE PARTES



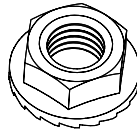
NO/Nº/ NO	QTY/QTÉ/ CANT.	DESCRIPTION	DESCRIPCIÓN	DESCRIPCIÓN
1	1	Cooker Head	Tête du ciseur	Cabezal de la freidora
2	3	Legs	Pieds	Patatas
3	1	Bottom Ring	Anneau inférieur	Aro Inferior
4	1	Burner	Brûleur	Quemador
5	1	Gas Shutter and Spring	Obturbateur du gaz et ressort	Obturador de gas y resorte
6	1	HVR w/Timer	HVR et minuterie	HVR con temporizador
7	1	12" Thermometer w/Clip	Thermomètre de 12 po avec agrafe	Termómetro de 12" con presilla
8	1	Aluminum Lid	Couvercle en aluminium	Tapa de aluminio
9	1	30qt. Aluminum Pot	Marmite de 30 pintes en aluminium	Recipiente de aluminio con capacidad para 30 cuartos
10	1	Turkey Hook	Crochet pour dinde	Gancho para el pavo
11	1	Lifting Hook	Crochet de soulèvement	Gancho para sacar la cesta

HARDWARE LIST, LISTE DE MATÉRIEL, LISTA DE ACCESORIOS



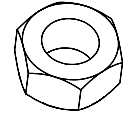
A

M6 X 13 Screw
Vis M6 X 13
Tornillo M6 X 13
Qty. - 9
Qté.- 9
Cant.- 9



B

M6 Hex Flange Nut
Écrou d'accouplement hexagonal M6
Brida de la tuerca hexagonal M6
Qty. - 9
Qté.- 9
Cant.- 9



C

Burner Nut
Écrou du brûleur
Tuerca del quemador
Qty. - 1
Qté.- 1
Cant.- 1

STOP!

DO NOT RETURN TO RETAILER For Assembly Assistance, Missing or Damaged Parts
Call: MASTERBUILT Customer Service at 1-800-489-1581.
Please have Model Number and Serial Number available when calling.
These numbers are located on silver label on back of unit.

STOP!

ARRÊTEZ!

NE PAS RENVOYER AU DÉTAILLANT pour obtenir de l'aide pour l'assemblage, des pièces manquantes ou endommagées. Appelez le service à la clientèle de MASTERBUILT au 1-800-489-1581.
Veuillez avoir le numéro de modèle et le numéro de série à portée de main lors de l'appel.
Ces numéros se trouvent sur l'étiquette argentée au dos de l'appareil.

ARRÊTEZ!

¡ALTO!

NO REGRESE AL MINORISTA para solicitar asistencia en el montaje de la unidad, o para reclamar partes faltantes o dañadas.
Llame al: Servicio al cliente de MASTERBUILT al 1-800-489-1581.
Tenga a la mano los números de modelo y serie cuando llame.
Estos números se encuentran en la etiqueta plateada en la parte posterior de la unidad.

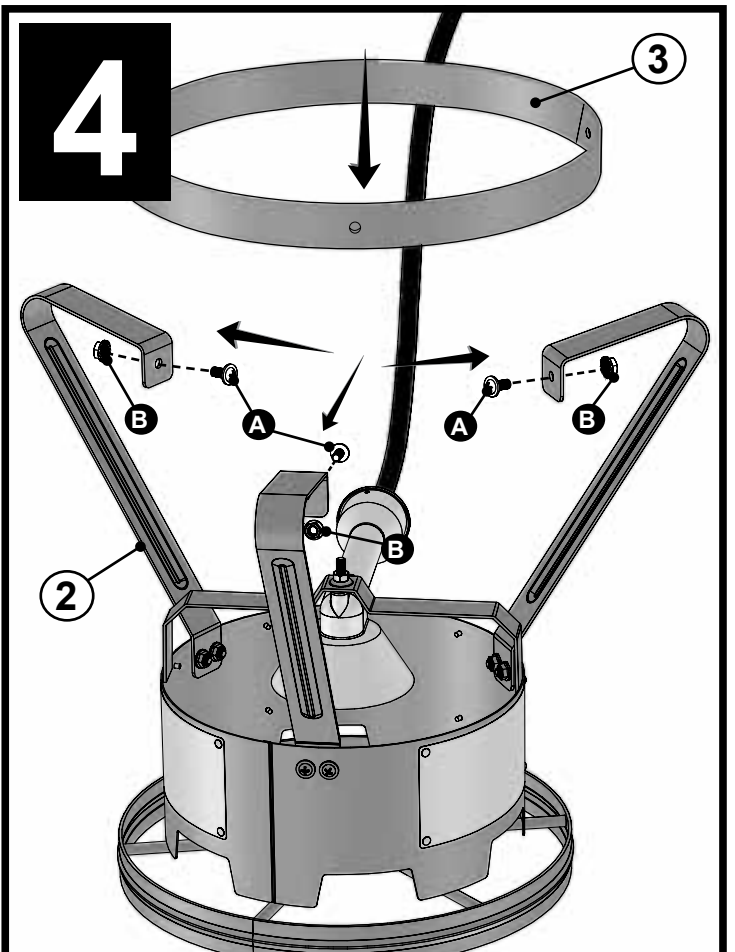
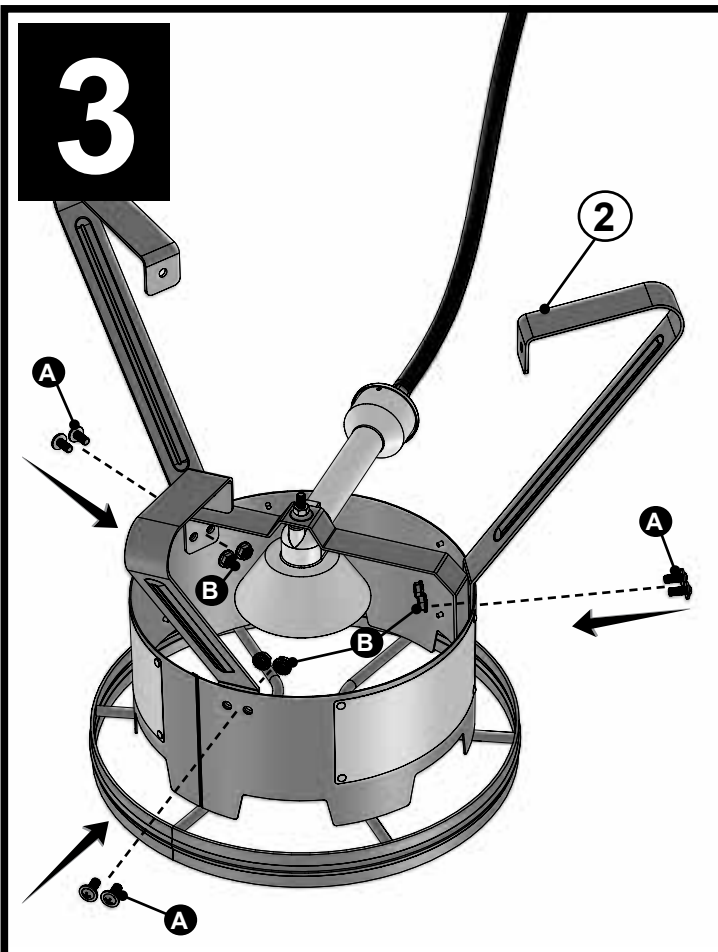
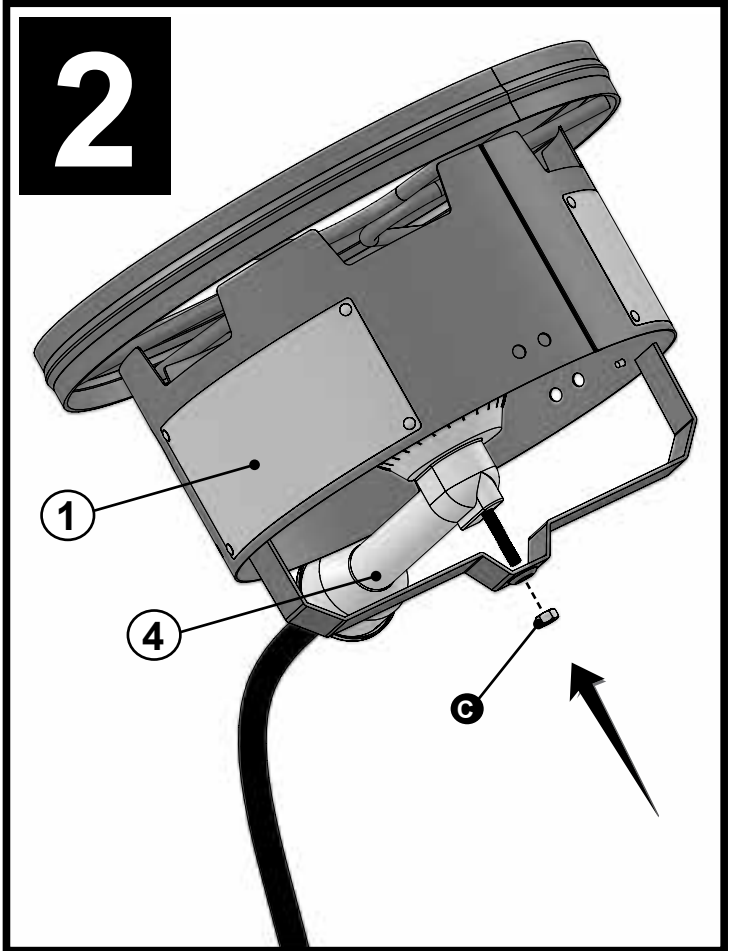
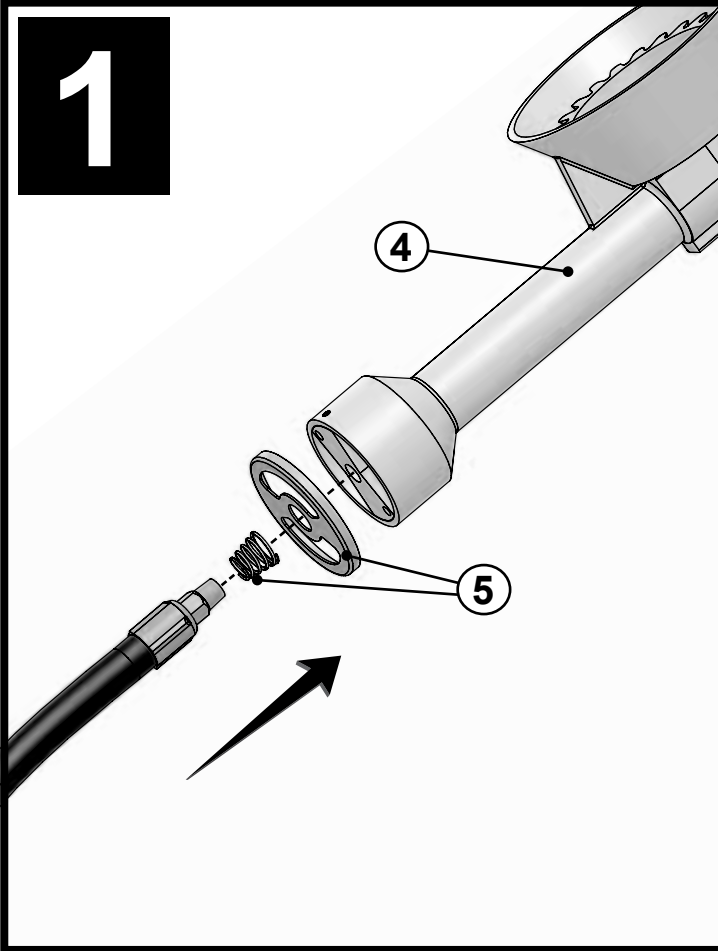
¡ALTO!

Tools needed for assembly: Adjustable Wrench and Phillips Head Screwdriver
Approximate assembly time: 30 minutes *Actual product may differ from picture shown

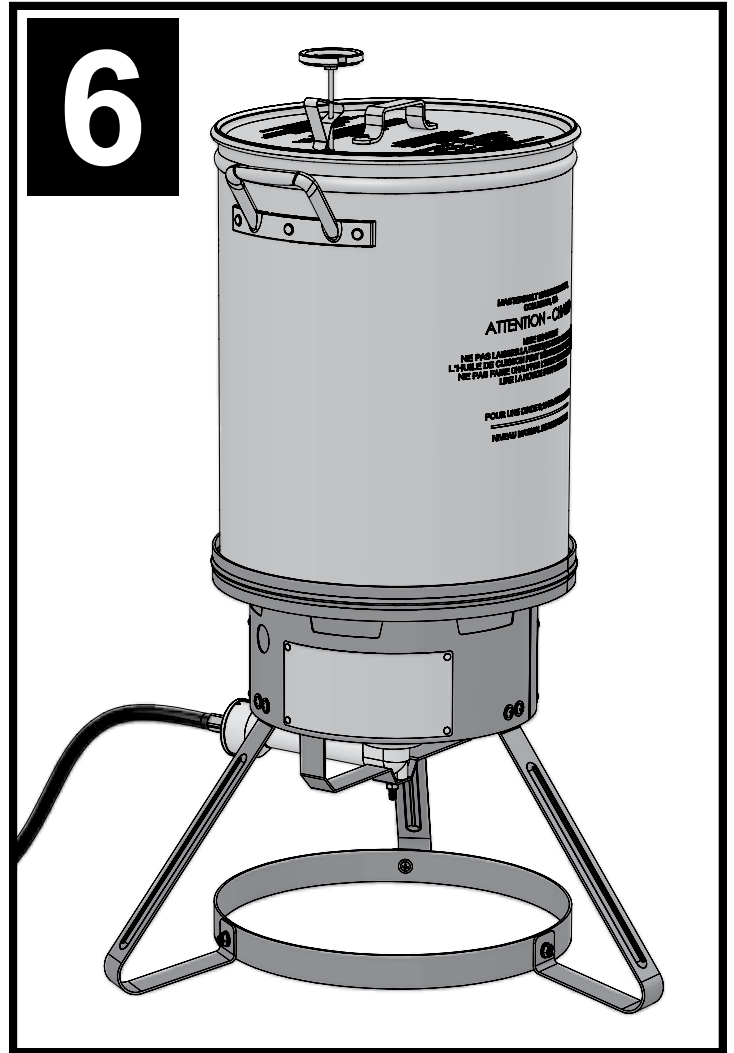
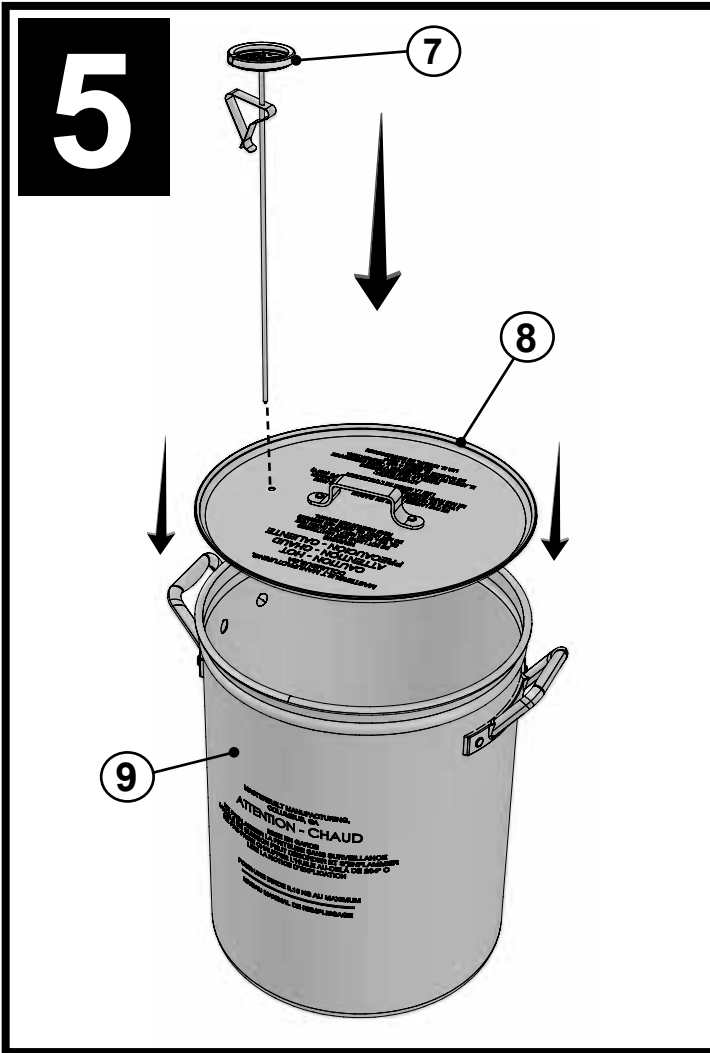
Outils nécessaires pour l'assemblage : Clé ajustable et tournevis cruciforme
Temps nécessaire pour l'assemblage : environ 30 minutes * Le produit réel peut différer de l'illustration

Herramientas requeridas para el ensamblaje: Llave ajustable y destornillador Phillips o en cruz
Tiempo aproximado de ensamblaje: 30 minutos *El producto real puede ser distinto de la imagen mostrada

ASSEMBLY, ASSEMBLAGE, ENSAMBLAJE



ASSEMBLY, ASSEMBLAGE, ENSAMBLAJE



CLEANING & STORAGE GAS COOKER STAND

- ALWAYS MAKE SURE UNIT IS COOL TO THE TOUCH BEFORE CLEANING AND STORING.
- Simply wipe down the unit with a damp cloth after each use to keep in proper working condition.
- Do not use a cleaning agent. Make sure to dry thoroughly.
- If any rusting occurs, use steel wool to clean and buff affected area.
- The exterior of the unit may be touched up with high temperature-resistant paint.
- Store only when fire is completely out and all surfaces are cold.
- After cleaning store cooker stand in covered dry area.

When a flame occurs inside the venturi this is caused by a blockage and could cause damage to the hose assembly.

TO CLEAN BURNER:

1. Remove the hose from the burner using a 7/16" wrench.
2. Insert a small rod in the hole that the hose was removed from.
3. Hold the burner up to a light looking into the hole that the hose was removed from to see any obstructions.
4. If burner has not cleared, flush with water and dry completely.
5. Once the burner has been cleared, reassemble the burner (air shutter, spring, hose.)

NETTOYAGE ET ENTREPOSAGE DU SUPPORT DE CUISSON

- VEUILLEZ TOUJOURS VOUS ASSURER QUE L'APPAREIL EST FRAIS AU TOUCHER AVANT DE LE NETTOYER ET DE LE RANGER.
- Il suffit d'essuyer l'appareil au moyen d'un chiffon humide après chaque utilisation pour le garder en bon état de fonctionnement.
- Ne pas utiliser de produit de nettoyage. Assurez-vous de bien sécher l'appareil.
- En cas de rouille, nettoyez ou polissez la zone touchée avec de la laine d'acier.
- Vous pouvez retoucher l'extérieur de votre appareil avec une peinture qui résiste aux températures élevées.
- Rangez-le seulement lorsque le feu est complètement éteint et que toutes les surfaces sont froides.
- Après l'avoir nettoyé rangez le support de cuisson dans un endroit sec et recouvert.

Une flamme dans le tube venturi est causée par une obstruction et pourrait endommager l'assemblage du tuyau.

POUR NETTOYER LE BRÛLEUR :

1. Retirez le tuyau du brûleur au moyen d'une clé de 7/16 po.
2. Insérez une petite tige dans le trou où se trouvait le tuyau.
3. Tenez le brûleur devant une lumière et regardez dans le trou où se trouvait le tuyau pour déceler toute obstruction.
4. Si le brûleur n'est pas dégagé, rincez-le avec de l'eau et séchez-le complètement.
5. Une fois que le brûleur est dégagé, réassemblez-le (registre d'air, ressort, tuyau).

LIMPIEZA Y ALMACENAMIENTO DEL SOPORTE DE LA COCINA A GAS

- SIEMPRE ASEGÚRESE QUE LA UNIDAD ESTÉ FRÍA AL TACTO ANTES DE LIMPIAR Y ALMACENAR.
- Simplemente limpie la unidad con un paño húmedo luego de cada uso para mantenerla en condiciones adecuadas de funcionamiento.
- No use un agente de limpieza. Asegúrese de secar exhaustivamente.
- Si se oxida el aparato, use lana de acero para limpiar y pulir el área afectada.
- El exterior de la unidad puede retocarse con pintura resistente a altas temperaturas.
- Almacene únicamente cuando el fuego esté totalmente apagado y todas las superficies estén frías.
- Luego de la limpieza, guarde el soporte de la cocina en un área seca cubierta.

Cuando se produce una llama dentro del tubo de venturi, esto se da por un bloqueo y podría causar daños al ensamblaje de la manguera.

PARA LIMPIAR EL QUEMADOR:

1. Retire la manguera del quemador con una llave de 7/16".
2. Inserte una pequeña varilla en el orificio de donde se retiró la manguera.
3. Sostenga el quemador hacia la luz mirando por el orificio de donde se retiró la manguera para ver si hay alguna obstrucción.
4. Si el quemador no se ha despejado, enjuague con agua y seque completamente.
5. Una vez despejado el quemador, vuelva a ensamblarlo (obturador de aire, resorte, manguera).

TROUBLESHOOTING GUIDE

SYMPTOM	CAUSE	POSSIBLE SOLUTION
Burner will not light	Not enough gas flow from propane tank	Open propane tank all the way
	Low gas level in propane tank or tank is empty	Check gas level in propane tank
	Blockage in burner	Clean and check burner for spiders, insect nests, or other debris
	Faulty burner	Contact Masterbuilt at 1-800-489-1581
Hissing or gurgling sounds coming through gas train from tank to burner	Water in burner	Check burner for moisture, make sure burner is dry
	Damaged hose	Perform soapy water test to check for cracks
	Gas leak	Check all connections in gas train for possible leaks
Timer does not work	Batteries are dead	Replace batteries
	Did not press power or start button	Follow timer instructions
	Faulty timer	Contact Masterbuilt at 1-800-489-1581
Timer stopped before time was up	Batteries are dead	Replace batteries
Excessively yellow and irregular flame	Blockage in burner	Clean and check burner for spiders, insect nests, and other debris
	Air shutter not adjusted correctly	Adjust air shutter to the burner until the burner flame is as blue as possible
Flame has gone out	Low gas level in propane tank or tank is empty	Check gas level in propane tank
	Too much wind	Check wind direction and set cooker away from windy areas
	Blockage in burner	Clean and check burner for spiders, insect nests, and other debris
	Water in burner	Check burner for moisture, make sure burner is dry
	Faulty burner	Contact Masterbuilt at 1-800-489-1581

GUIDE DE DÉPANNAGE

SYMPTÔME	CAUSE	SOLUTION POSSIBLE
Le brûleur ne s'allume pas	Débit de gaz insuffisant à partir de la bouteille de propane	Ouvrez complètement la bouteille de propane
	Bas niveau de gaz dans la bouteille de propane, ou bouteille vide.	Vérifiez le niveau de gaz dans la bouteille de propane
	Obstruction dans le brûleur	Inspectez le brûleur pour déceler la présence d'araignées, de nids d'insectes ou d'autres débris et nettoyez-le
	Brûleur défectueux	Prenez contact avec Masterbuilt au 1-800-489-1581
Sifflement ou gargouillement émis entre le réservoir et le brûleur	Présence d'eau dans le brûleur	Vérifiez le brûleur pour déceler la présence d'humidité et assurez-vous qu'il est sec
	Le tuyau de gaz est endommagé	Faites un test à l'eau savonneuse pour déceler la présence éventuelle de fuites
	Fuite de gaz	Vérifiez tous les raccords du circuit de gaz pour des fuites possibles
La minuterie ne fonctionne pas	Les piles sont épuisées	Remplacez les piles
	L'utilisateur n'a pas appuyé sur le bouton de marche/arrêt	Suivez les instructions de la minuterie
	Minuterie défectueuse	Prenez contact avec Masterbuilt au 1-800-489-1581
La minuterie s'est arrêtée avant la fin du décompte	Les piles sont épuisées	Remplacez les piles
Flamme trop jaune et irrégulière	Obstruction dans le brûleur	Inspectez le brûleur pour déceler la présence d'araignées, de nids d'insectes ou d'autres débris et nettoyez-le
	Le registre d'air est mal ajusté	Ajustez le registre d'air du brûleur jusqu'à ce que la flamme soit la plus bleue possible
La flamme s'est éteinte	Bas niveau de gaz dans la bouteille de propane, ou bouteille vide	Vérifiez le niveau de gaz dans la bouteille de propane
	Trop de vent	Vérifiez la direction du vent et installez le cuiseur à l'abri des endroits exposés au vent
	Obstruction dans le brûleur	Inspectez le brûleur pour déceler la présence d'araignées, de nids d'insectes ou d'autres débris et nettoyez-le
	Présence d'eau dans le brûleur	Vérifiez le brûleur pour déceler la présence d'humidité et assurez-vous qu'il est sec
	Brûleur défectueux	Prenez contact avec Masterbuilt au 1-800-489-1581

GUÍA PARA LA DETECCIÓN Y RESOLUCIÓN DE PROBLEMAS

PROBLEMA	CAUSA	SOLUCIÓN POSIBLE
El quemador no se enciende	No hay suficiente flujo de gas desde el tanque de propano	Abra el tanque de propano hasta el final
	Hay bajo nivel del gas en el tanque de propano, o el tanque está vacío	Revise el nivel de gas en el tanque de propano
	Bloqueo en el quemador	Limpie y revise el quemador en busca de arañas, nidos de insectos u otros residuos
	Quemador defectuoso	Contacte a Masterbuilt al 1-800-489-1581
Sonidos de silbidos o gorgoteos que vienen a través del tren de gas desde el tanque hasta el quemador	Agua en el quemador	Revise el quemador en busca de humedad, asegúrese que el quemador esté seco
	Manguera dañada	Realice la prueba de agua jabonosa para buscar fisuras
	Fuga de gas	Revise todas las conexiones en el tren de gas en busca de posibles fugas
El temporizador no funciona	Las baterías están muertas	Reemplace las baterías
	No ha presionado el botón de potencia o inicio	Siga las instrucciones del temporizador
	Temporizador defectuoso	Contacte a Masterbuilt al 1-800-489-1581
El temporizador se detuvo antes que se acabar el tiempo	Las baterías están muertas	Reemplace las baterías
Llama irregular y excesivamente amarilla	Bloqueo en el quemador	Limpie y revise el quemador en busca de arañas, nidos de insectos y otros residuos
	El regulador de aire no ha sido ajustado correctamente	Ajuste el obturador de aire al quemador hasta que su llama esté lo más azul posible
La llama se ha apagado	Hay bajo nivel del gas en el tanque de propano, o el tanque está vacío	Revise el nivel de gas en el tanque de propano
	Demasiado viento	Revise la dirección del viento y coloque la cocina lejos de zonas ventosas
	Bloqueo en el quemador	Limpie y revise el quemador en busca de arañas, nidos de insectos y otros residuos
	Agua en el quemador	Revise el quemador en busca de humedad, asegúrese que el quemador esté seco
	Quemador defectuoso	Contacte a Masterbuilt al 1-800-489-1581

OUR #1 ASKED QUESTION

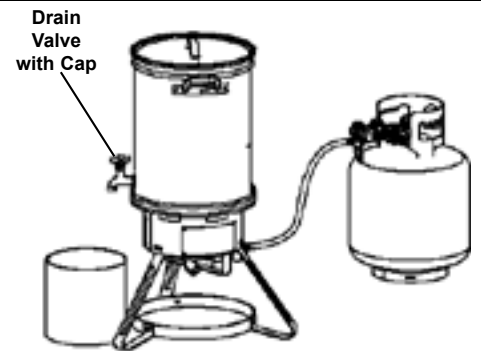
Q. When the burner burns yellow or not at all, what should I do?

A. If your burner does not burn, blows out, burns yellow, or there's a flame inside the venturi, you need to check the burner venturi for obstructions. Dirt doobers, spiders and other insects will build a nest inside the burner venturi blocking air and gas flow. KEEP AIR SHUTTER CLOSED AFTER EACH USE.

USING POT WITH DRAIN VALVE

UNITS ARE SOLD WITH AND WITHOUT DRAIN VALVES:

1. Valve must be in the OFF position before adding oil or water.
2. Secure valve cap onto drain valve.
3. Oil or water must be below 100°F (37°C) before draining.

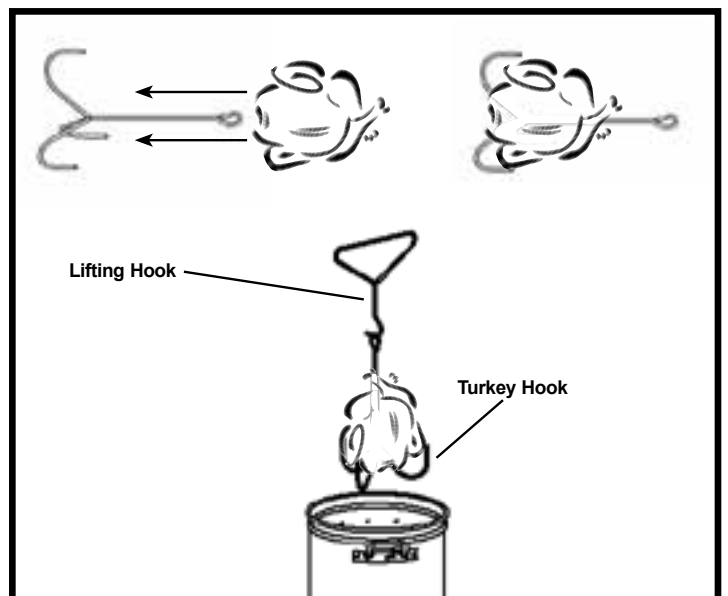


Do not drain oil or water until the temperature of the liquid is below 100°F (37°C). Hot water or oil can cause serious burns and injury.

USING POT WITH THE TURKEY HOOK

Do not overfill pot with oil or water. A fill line is marked on the larger frying and boiling pots. Smaller fry pans may not be marked.

1. Position turkey hook on side.
2. Slowly slide turkey onto hook, breast cavity first, as shown.
3. Lower turkey hook into oil or water using lifting hook. (Wear protective gloves.) Avoid hot steam.
3. Cover with lid.
4. When food is ready to remove, turn the burner to OFF position. Remove lid and use the lifting hook to pull turkey hook up slowly. (Wear protective gloves.) Avoid hot steam.
5. Allow the food to drain and cool.



FOR YOUR SAFETY, FOLLOW THESE STEPS TO PROPERLY DEEP FRY A TURKEY

STEP 1 - If a fill line is stamped on the pot then STEP 1 is not needed. Fill the pot with oil to the fill line and go to STEP 2. If there is no stamped line, place thawed turkey, up to 18 lbs (8kg) MAX size, into basket and lower turkey into empty pot. Fill pot with water until the butt of the turkey is covered. There must be 3 in (8cm) between this water level & the top of the pot. Remove the turkey from the pot allowing all water to drain from the turkey. Once turkey has been removed, mark the waterline. Empty the water from the pot and fill with oil up to the marked line.

STEP 2 - Insure that turkey is completely thawed and free of excess water and ice. Inject turkey with a marinade of your choice. Cover the outside of turkey with cajun dry rub seasoning. Replace the turkey in basket with legs pointing up. Ignite burner and bring oil temperature to 350°F (177°C).

Turn the burner off before placing the turkey into oil. With cooking gloves on, lower the turkey into oil very slowly avoiding hot steam. Then cover with lid. Re-light the burner.

Using the thermometer keep the oil temperature at 350°F (177°C). Cook turkey for 3 minutes per pound and then add 5 minutes to total cooking time. Turkey may float before cooking time is complete. Continue cooking turkey for the total amount of time calculated. When cooking is complete, turn burner OFF and remove food slowly.

Example: Cooking a 16.5 lb (7.48kg). turkey

3 minutes x 16.5 = 49.5

49.5 minutes + 5 = 54.5

Total cooking time: 54.5 minutes

STEP 3 - Turn the turkey fryer OFF and remove the basket slowly. This is a safe and easy way to allow turkey to drain and cool at the same time.

Thawing a Turkey in Cold Water

Thawing Times:

8lb (3.6kg) to 12lb (5.4kg) 4 to 6 hours

12lb (5.4kg) to 16lb (7.3kg) 6 to 8 hours

16lb (7.3kg) to 18lb (8.2kg) 8 to 10 hours

Turkeys thawed by the cold water method should be cooked immediately because conditions are not temperature controlled.

LA QUESTION QUI NOUS EST POSÉE LE PLUS SOUVENT

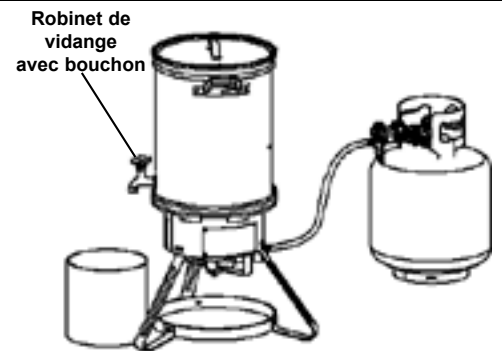
Q. Lorsque la flamme du brûleur est jaune ou absente, que dois-je faire?

A. Si votre brûleur ne brûle pas, s'éteint ou a une flamme jaune, ou s'il y a une flamme dans le tube venturi, vous devez vérifier si des obstructions sont présentes dans le tube venturi. Les guêpes maçonnes, les araignées et d'autres insectes peuvent bâtir des nids dans le tube venturi et bloquer le débit d'air et de gaz. **GARDEZ LE REGISTRE D'AIR FERMÉ APRÈS CHAQUE UTILISATION.**

UTILISATION D'UNE MARMITE AVEC ROBINET DE VIDANGE

LES APPAREILS SONT VENDUS AVEC ET SANS ROBINET DE VIDANGE :

1. Le robinet doit être sur la position OFF avant d'ajouter de l'huile ou de l'eau.
2. Fixez le bouchon de sécurité sur le robinet de vidange.
3. L'huile ou l'eau doit avoir atteint une température inférieure à 37 °C (100 °F) avant la vidange.



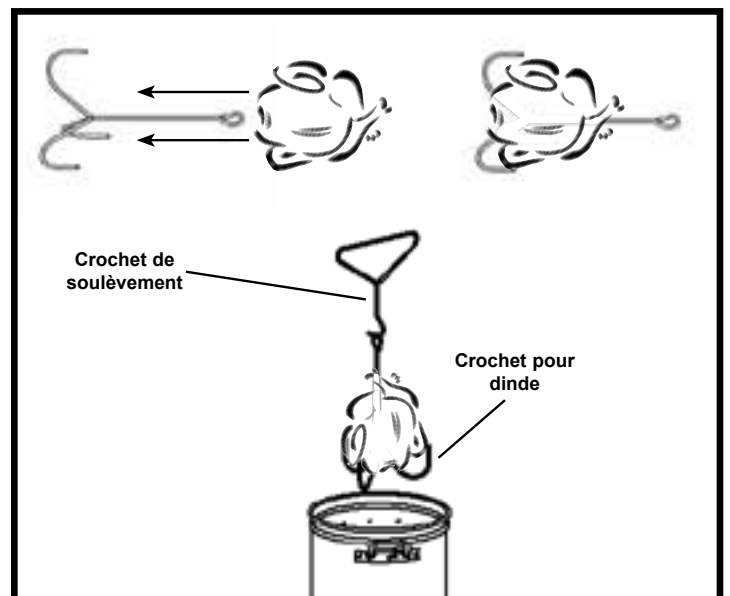
ATTENTION

Ne pas drainer l'eau ou l'huile avant que le liquide ait atteint une température inférieure à 37 °C (100 °F). L'huile ou l'eau chaude peuvent causer des brûlures et des blessures graves.

UTILISATION DE LA MARMITE AVEC LE CROCHET POUR DINDE

Ne remplissez pas trop la marmite avec de l'eau ou de l'huile. Un repère de remplissage est indiqué sur les plus grosses marmites à friture et à ébullition. Les poêles à frire plus petites n'ont peut-être pas de repères.

1. Positionnez le crochet pour dinde sur le côté.
2. Glissez lentement la dinde sur le crochet en commençant par la cavité de la poitrine, de la façon illustrée ci-dessous.
3. Descendez lentement le crochet dans l'huile en utilisant le crochet de soulèvement. (Portez des gants de protection.) Tenez-vous à l'écart de la vapeur chaude.
3. Mettez le couvercle.
4. Lorsque les aliments sont prêts, ÉTEIGNEZ le brûleur. Retirez le couvercle et utilisez le crochet de soulèvement pour remonter lentement le crochet pour dinde. (Portez des gants de protection.) Tenez-vous à l'écart de la vapeur chaude.
5. Laissez les aliments drainer et refroidir.



POUR VOTRE SECURITE, SUIVEZ CES ETAPES POUR PROFITER CORRECTEMENT LA FRITURE D'UNE TURQUIE

ÉTAPE 1 – S'il y a un repère de remplissage sur la marmite, l'ÉTAPE 1 n'est pas requise. Remplissez la marmite d'huile jusqu'au repère de remplissage et passez à l'ÉTAPE 2. S'il n'y a pas de repère de remplissage, mettez la dinde décongelée d'un poids maximal de 8 kg (18 lb) dans le panier et descendez la dinde dans la marmite vide. Remplissez la marmite d'eau jusqu'à ce que la dinde soit recouverte. Il doit rester 8 cm (3 po) entre le niveau de l'eau et le dessus de la marmite. Retirez la dinde de la marmite, en laissant toute l'eau drainer de la dinde. Une fois la dinde sortie, marquez la ligne d'eau. Videz l'eau de la marmite et remplissez la marmite d'huile jusqu'au repère marqué.

ÉTAPE 2 – Assurez-vous que la dinde est complètement décongelée et exempte de glace et d'eau. Injectez la dinde avec la marinade de votre choix. Assaisonnez l'extérieur de la dinde avec une marinade sèche cajun. Remettez la dinde dans le panier, les pattes vers le haut. Allumez le brûleur et faites chauffer l'huile à 177 °C (350 °F). **Éteignez le brûleur avant de mettre la dinde dans l'huile.** Avec des gants de cuisine, abaissez la dinde dans l'huile très lentement en évitant la vapeur chaude. Puis couvrir avec le couvercle. Rallumez le brûleur. Utilisez le thermomètre pour garder l'huile à une température de 177 °C (350 °F). Laissez cuire la dinde pendant 3 minutes par livre, plus ajoutez 5 minutes à la durée de cuisson totale. La dinde flottera peut-être avant que la cuisson soit terminée. Poursuivez la cuisson pendant la durée totale calculée. Une fois la cuisson terminée, éteignez le brûleur et retirez lentement les aliments.

Exemple : Cuisson d'une dinde de 7,48 kg (16,5 lb)

3 minutes x 16,5 = 49,5

49,5 minutes + 5 = 54,5

Durée de cuisson totale : 54,5 minutes

ÉTAPE 3 – Éteignez la friteuse à dinde et retirez lentement le panier. C'est un moyen facile et sécuritaire de laisser la dinde drainer et refroidir en même temps.

Décongélation d'une dinde à l'eau froide

Temps de décongélation :

3,6 kg (8 lb) à 5,4 kg (12 lb) 4 à 6 heures

5,4 kg (12 lb) à 7,3 kg (16 lb) 6 à 8 heures

7,3 kg (16 lb) à 8,2 kg (18 lb) 8 à 10 heures

Les dindes décongelées à l'eau froide doivent être cuites immédiatement, parce que la température n'était pas contrôlée.

NUESTRA PREGUNTA #1

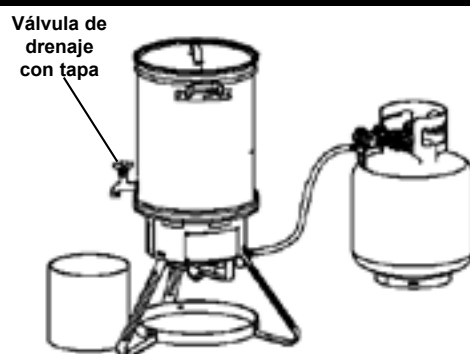
P. Cuando el quemador se ponga amarillo o de ningún color, ¿qué debo hacer?

R. Si su quemador no quema, apaga, se pone amarillo o si hay una llama dentro del tubo de venturi, tiene que revisar el venturi del quemador para ver si hay alguna obstrucción. Las avispas de la tierra, arañas y otros insectos construirán sus nidos dentro del venturi del quemador, bloqueando el flujo de aire y gas. **MANTENGA EL OBTURADOR DE AIRE CERRADO DESPUÉS DE CADA USO.**

USANDO LA OLLA CON VÁLVULA DE DRENAJE

LAS UNIDADES SE VENDEN CON Y SIN VÁLVULAS DE DRENAJE:

1. La válvula debe estar apagada antes de agregar aceite o agua.
2. Asegure la tapa de la válvula en la válvula de drenaje.
3. El aceite o agua deben estar por debajo de los 100°F (37°C) antes del drenaje.



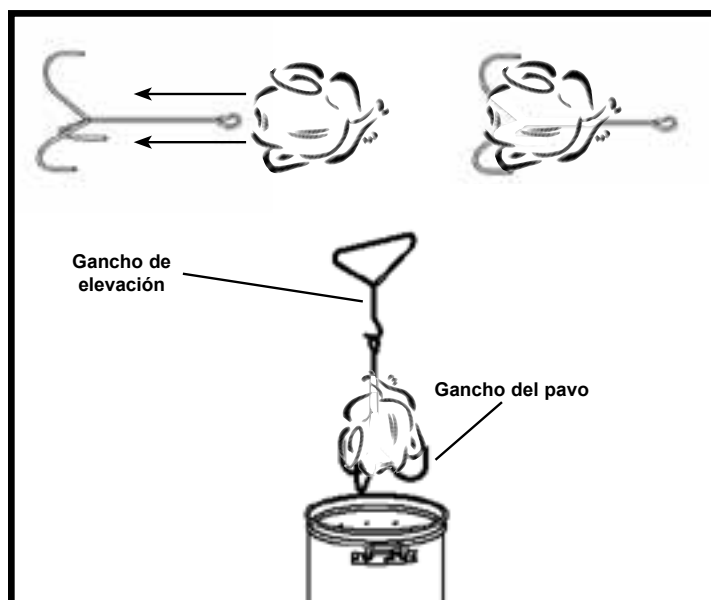
PRECAUCIÓN

No escurra el aceite o agua hasta que la temperatura del líquido esté por debajo de los 100°F (37°C). El agua o aceite caliente puede causar serias quemaduras y lesiones.

USANDO LA OLLA CON EL GANCHO DEL PAVO

No llene demasiado la olla con aceite o agua. Una línea de llenado se marca en las ollas más grandes para freír y hervir. Las sartenes más pequeñas para freír podrían no estar marcadas.

1. Coloque el gancho del pavo de lado.
2. Deslice lentamente el pavo, primero por la cavidad de la pechuga, como se muestra a continuación.
3. Baje el gancho del pavo al aceite o agua usando el gancho de elevación. (Use guantes/mitones de protección). Aléjese del vapor caliente.
3. Cubra con la tapa.
4. Cuando el alimento esté listo para retirarse, apague el quemador. Retire la tapa y use el gancho de elevación para tirar del gancho del pavo hacia arriba lentamente. (Use guantes de protección). Aléjese del vapor caliente.
5. Deje que el alimento se escurra y enfríe.



PARA SU SEGURIDAD, SIGA ESTOS PASOS PARA PROFUNDAMENTE HACER FRY A TURQUÍA

PASO 1 - Si hay una línea de llenado en la olla, entonces el PASO 1 no es necesario. Llene la olla con aceite hasta la línea de llenado y vaya al PASO 2. Si no hay una línea de llenado, coloque el pavo descongelado, hasta 18 lbs (8kg) MÁX de tamaño, en una canasta y baje el pavo a una olla vacía. Llene la olla con agua hasta que la cola del pavo esté cubierta. Debe haber 3 pulg. (8cm) entre este nivel de agua y la parte superior de la olla. Retire el pavo de la olla, permitiendo que toda el agua drene del pavo. Una vez que el pavo ha sido retirado, marque la línea de agua. Vacíe el agua de la olla y llene con aceite hasta la línea marcada.

PASO 2 - Asegúrese que el pavo esté completamente descongelado y libre de exceso de agua y hielo. Inyecte al pavo la marinada de su elección. Cubra la parte externa del pavo con aderezo cajún seco de frotar. Vuelva a colocar el pavo en la canasta con las patas apuntando hacia arriba. Encienda el quemador y lleve el aceite a la temperatura de 350°F (177°C). **apague el quemador antes de colocar el pavo en el aceite.** Con los guantes de cocina puestos, baje el pavo en aceite muy lentamente evitando el vapor caliente. Luego cubra con la tapa. Vuelva a encender el quemador. Usando el termómetro, mantenga el aceite a la temperatura de 350°F (177°C). Cocine el pavo por 3 minutos por libra y luego agregue 5 minutos al total de tiempo de cocción. El pavo puede flotar antes que el tiempo de cocción haya terminado. Continúe cocinando el pavo por la cantidad de tiempo total calculado. Cuando haya terminado la cocción, apague el quemador y retire el alimento lentamente.

Ejemplo: Cocción de un pavo de 16.5 lb (7.48kg).

3 minutos x 16.5 = 49.5

49.5 minutos + 5 = 54.5

Tiempo de cocción total: 54.5 minutos

PASO 3 - Apague la freidora de pavos y retire la canasta lentamente. Esta es una manera segura y fácil de permitir que los pavos se escurran y enfríen a la vez.

Descongelando un pavo en agua fría

Tiempos de descongelamiento:

8lb (3.6kg) a 12lb (5.4kg) 4 a 6 horas

12lb (5.4kg) a 16lb (7.3kg) 6 a 8 horas

16lb (7.3kg) a 18lb (8.2kg) 8 a 10 horas

Los pavos descongelados con el método del agua fría deben cocinarse inmediatamente porque las condiciones no se pueden controlar por medio de la temperatura.

Hot Wings

- 1 gallon vegetable oil
- 24 chicken wings
- 1 small bottle hot sauce (your choice)
- 1/2 tsp salt
- 1/4 tsp pepper
- 1/4 cup butter or margarine, melted
- 1 tsp white vinegar
- Pinch of garlic salt
- Celery sticks (side dish)
- Blue cheese dressing

1. Thaw wings, if frozen, and place into basket.
2. Pour 1 gallon of oil into a 10-1/2 quart pot and bring temperature to 350°F(177°C).
3. Turn off burner.
4. Wearing protective gloves, slowly place basket of wings into oil and re-light burner.
5. Cook for 8 to 12 minutes.
6. Turn off burner.
7. Remove and drain wings; pour into bowl.
8. Mix hot sauce with remaining ingredients.
9. Pour over wings, mix well, and serve.

Low Country Boil

- 1 lb shrimp
- 1 lb crawfish
- 1 lb smoked sausage
- 8 pcs short ear corn
- 2 bags crab boil mix
- 2 lbs whole new potatoes

1. Use a 30 quart pot and bailing basket.
2. Add 2-3 gallons of water and 2 bags of crab boil mix to the pot and bring water to a boil.
3. Allow water to boil for 15 minutes and add sausage (cut sausage in 1/4-inch thick slices).
4. After 3 minutes, add potatoes; 3 minutes later, add corn; 3 minutes later, add shrimp and craw fish together.
5. Boil for 3 minutes longer, remove and serve.

For a Cajun flare, pour on top of newspaper in the middle of your table and enjoy.

Ailes piquantes

- 1 gallon d'huile végétale
- 24 ailes de poulet
- 1 petite bouteille de sauce piquante (au choix)
- 1/2 c. à thé de sel
- 1/4 c. à thé de poivre
- 1/4 tasse de beurre ou de margarine, fondu
- 1 c. à thé de vinaigre blanc
- Une pincée de sel d'ail
- Bâtonnets de céleri (accompagnements)
- Vinaigrette au fromage bleu

1. Faites décongeler les ailes, au besoin, et mettez-les dans le panier.
2. Versez 1 gallon d'huile dans une marmite de 10 1/2 pintes et portez la température à 177 °C (350 °F).
3. Fermez le brûleur.
4. En portant des gants de protection, mettez lentement le panier d'ailes dans l'huile, puis rallumez le brûleur.
5. Laissez cuire pendant 8 à 12 minutes.
6. Fermez le brûleur.
7. Retirez les ailes et drainez-les, puis versez-les dans un bol.
8. Mélangez la sauce piquante avec le reste des ingrédients.
9. Versez sur les ailes, mélangez bien et servez.

Bouilli

- 1 lb de crevettes
- 1 lb de langouste
- 1 lb de saucisse fumée
- 8 morceaux de maïs
- 2 sacs de préparation pour bouilli au crabe
- 2 lb de pommes de terre nouvelles entières

1. Utilisez une marmite de 34 litres (30 pintes) et un panier.
2. Ajoutez 2 -3 gallons d'eau et 2 sacs de préparation pour bouilli au crabe dans la marmite et portez à ébullition.
3. Laissez l'eau bouillir pendant 15 minutes, puis ajoutez la saucisse (coupée en tranches de 1/4 po d'épaisseur).
4. Trois minutes plus tard, ajoutez les pommes de terre; trois minutes plus tard, ajoutez le maïs, puis trois minutes plus tard, ajoutez les crevettes et la langouste en même temps.
5. Faites bouillir trois minutes de plus, retirez et servez.

Pour une touche cajun, versez sur du papier journal au milieu de la table et savourez.

Alitas picantes

- 1 galón de aceite vegetal
- 24 alitas de pollo
- 1 botella pequeña de salsa picante (de su gusto)
- 1/2 cucharadita de sal
- 1/4 cucharadita de pimienta
- 1/4 taza de mantequilla o margarina derretida
- 1 cucharadita de vinagre blanco
- Una pizca de sal de ajo
- Palitos de apio (acompañamientos)
- Aderezo de queso azul

1. Descongele las alitas si están congeladas y colóquelas en una canasta.
2. Vierta 1 galón de aceite en una olla de 10 1/2 cuartos y lleve a la temperatura de 350°F (177°C).
3. Apague el quemador.
4. Usando guantes de protección, coloque lentamente la canasta con alitas en el aceite y vuelva a encender el quemador.
5. Cocine por 8 a 12 minutos.
6. Apague el quemador.
7. Retire y drene las alas; vierta en el tazón.
8. Mezcle la salsa picante con los ingredientes restantes.
9. Vierta sobre las alitas, mezcle bien y sirva.

Sopa de los países bajos

- 1 lb. de camarones
- 1 lb. de langosta
- 1 lb. de salchicha ahumada
- 8 piezas de maíz de grano pequeño
- 2 bolsas de mezcla para sopa de cangrejo
- 2 lbs. de papas enteras

1. Use una olla de 30 cuartos y una canasta escurridora.
2. Añada 2 a 3 galones de agua y 2 bolsas de mezcla de sopa de cangrejo a la olla y haga hervir el agua.
3. Deje que el agua hierva por 15 minutos y agregue la salchicha (córtela en rebanadas de 1/4 de pulgada de grosor).
4. Luego de 3 minutos, agregue las papas; 3 minutos después, agregue el maíz; 3 minutos después, agregue los camarones y la langosta juntos;
5. 3 minutos después, retire y sirva.

Para darle un toque de cajún, vierta sobre un periódico en medio de su mesa y disfrute.

MASTERBUILT 1-YEAR LIMITED WARRANTY

Masterbuilt warrants its products to be free from defects in material and workmanship under proper assembly, normal use and recommended care for 1-year from the date of original retail purchase. The Masterbuilt warranty does not cover paint finish as it may burn off during normal use. The Masterbuilt warranty does not cover rust of the unit. Masterbuilt requires proof of purchase for warranty claims and suggests that you keep your receipt. Upon the expiration of such warranty, all such liability shall terminate.

Within the stated warranty period, Masterbuilt, at its discretion, shall replace defective components free of charge, with the owner being responsible for shipping. Should Masterbuilt require return of component(s) in question for inspection, Masterbuilt will be responsible for shipping charges to return requested item. This warranty excludes property damage sustained due to misuse, abuse, accident, damage arising out of transportation, or damage incurred by commercial use of this product.

This expressed warranty is the sole warranty given by Masterbuilt and is in lieu of all other warranties, expressed or implied including merchantability, or fitness for a particular purpose. Neither Masterbuilt nor the retail establishment selling this product has authority to make any warranties or to promise remedies in addition to or inconsistent with those stated above. Masterbuilt's maximum liability, in any event, shall not exceed the purchase price of the product paid by the original consumer/ purchaser. Some states do not allow the exclusion or limitation of incidental or consequential damages. In such a case, the above limitations or exclusions may not be applicable.

California residents only: Notwithstanding this limitation of warranty, the following specific restrictions apply; if service, repair, or replacement of the product is not commercially practical, the retailer selling the product or Masterbuilt will refund the purchase price paid for the product, less the amount directly attributable to use by the original buyer prior to the discovery of the nonconformity. Owner may take the product to the retail establishment selling this product in order to obtain performance under warranty. This expressed warranty gives you specific legal rights, and you may also have other rights which vary from state to state.



Go online www.masterbuilt.com
or complete and return to
Attn: Warranty Registration
Masterbuilt Mfg., LLC
1 Masterbuilt Court - Columbus, GA 31907

Name: _____ Address : _____ City: _____

State/Province: _____ Postal Code: _____ Phone Number: (____) - _____

E-mail Address: _____

*Model Number: _____ *Serial Number: _____

Purchase Date: ____ - ____ - ____ Place of Purchase: _____

**Model Number and Serial Number are located on silver label on back of unit.*

GARANTIE LIMITÉE D'UN AN DE MASTERBUILT

Masterbuilt garantit que ses produits sont exempts de défauts de matériel et de fabrication pendant un an à partir de la date d'achat d'origine s'ils sont assemblés de la manière appropriée, utilisés normalement et entretenus de la façon recommandée. La garantie de Masterbuilt ne couvre pas la finition de peinture, car elle peut brûler au cours d'un usage normal. La garantie de Masterbuilt ne couvre pas la corrosion de l'appareil. Masterbuilt exige une preuve d'achat lors de réclamations au titre de la garantie et vous suggère de conserver votre reçu. Cette responsabilité prend fin dès la date d'expiration de la garantie.

Durant la période de garantie déclarée, Masterbuilt, à sa discrétion, remplacera gratuitement tout composant défectueux, le propriétaire étant responsable des frais de transport. Advenant que Masterbuilt demande que le ou les composants lui soient retournés pour inspection, Masterbuilt assumera les frais de transport pour le retour du composant demandé. Cette garantie ne couvre pas les dommages matériels survenant suite à une défaillance du produit ou à toute utilisation incorrecte ou négligence ainsi que tout mauvais traitement ou dommage découlant du transport ou entraîné par une utilisation commerciale de l'appareil.

Cette garantie expresse est la seule garantie donnée par Masterbuilt et remplace toute garantie, expresse ou implicite, y compris une garantie de valeur marchande ou d'adaptation à un usage particulier. Ni Masterbuilt ni le détaillant qui vend ce produit ne sont autorisés à fournir des garanties ou à promettre quoi que ce soit qui excède ou qui contredise ce qui est énoncé ci-dessus. La responsabilité maximale de Masterbuilt, dans tous les cas, ne peut dépasser le prix d'achat de l'article payé par le consommateur/l'acheteur d'origine. Certains États et certaines provinces ne permettent pas l'exclusion ni la limitation de dommages directs ou indirects. Par conséquent, les exclusions ou limitations indiquées ci-dessus peuvent ne pas vous être applicables.

Résidents de la Californie uniquement : Nonobstant les limitations de cette garantie, les restrictions suivantes vous sont applicables; si réparer ou remplacer le produit en question ne s'avère pas rentable pour le revendeur, ce dernier ou Masterbuilt remboursera le prix payé d'achat du produit après dépréciation et après déduction d'une somme équivalente à la durée d'utilisation par l'acheteur initial avant la découverte du vice ou de la non-conformité. Le propriétaire peut retourner le produit au magasin revendeur afin de bénéficier des services offerts par la garantie. Cette garantie vous procure des droits juridiques spécifiques et vous pouvez également bénéficier d'autres droits en fonction de votre lieu de résidence.



Allez en ligne à www.masterbuilt.com
ou remplissez et renvoyez à
Attn: Warranty Registration
Masterbuilt Mfg., LLC
1 Masterbuilt Court - Columbus, GA 31907

Nom : _____ Adresse : _____ Ville : _____

État/Province : _____ Postal Code : _____ Numéro de téléphone : (____) - _____

Adresse de courriel : _____

*Numéro de modèle : _____ *Numéro de série : _____

Date de l'achat : ____ - ____ - ____ Lieu de l'achat : _____

*Les numéros de série et de modèle se trouvent sur l'étiquette argentée derrière l'appareil.

GARANTÍA LIMITADA POR 1 AÑO DE MASTERBUILT

Masterbuilt garantiza que sus productos no presentan defectos de fabricación, ni de material ni de la mano de obra, si se los ensambla correctamente, se los utiliza de forma normal y se los cuida según las recomendaciones, durante un período de 1 año a partir de la fecha de compra original. La garantía de Masterbuilt no cubre el acabado de la pintura ya que puede salirse durante el uso normal. La garantía de Masterbuilt no cubre la oxidación de la unidad. Masterbuilt exige el comprobante de la compra para realizar reclamos de la garantía y sugiere que conserve su recibo. Después de la fecha de vencimiento de la garantía, finalizarán todas las responsabilidades.

Durante el período de vigencia establecido de la garantía, Masterbuilt, a su criterio, reemplazará los componentes defectuosos sin costo alguno, debiendo hacerse responsable el propietario de los gastos de envío. Si Masterbuilt requiere la devolución del o los componentes en cuestión para su inspección, Masterbuilt será responsable de todos los cargos de envío para devolver el artículo solicitado. Esta garantía excluye los daños ocasionados a la propiedad por el mal uso, el uso excesivo, los accidentes, el transporte o el uso comercial de este producto.

Esta garantía expresa es la única garantía entregada por Masterbuilt y reemplaza a todas las demás garantías, expresas o implícitas, incluida la de comercialización o idoneidad para cualquier fin en particular. Ni Masterbuilt ni el establecimiento minorista que ofrece este producto, tienen autoridad alguna para otorgar garantías adicionales o prometer otros recursos que sean inconsistentes con los establecidos previamente. La responsabilidad máxima de Masterbuilt, en todos los casos, no superará el precio de compra del producto que el cliente o comprador original pagó. Algunos estados no permiten la exclusión o limitación de daños accidentales o resultantes. En dicho caso, no se aplicarán las exclusiones o limitaciones anteriores.

Solo para residentes de California: A pesar de esta limitación de garantía, se aplican las siguientes restricciones específicas; si el mantenimiento, la reparación o el reemplazo del producto no se puede realizar comercialmente, el establecimiento minorista que ofrece el producto o Masterbuilt devolverá el monto original de la compra del producto, menos el monto directamente atribuible al uso por parte del comprador original antes de informar su disconformidad. El propietario puede llevar el producto al establecimiento minorista que lo ofrece a fin de obtener la ejecución de cualquier obligación en virtud de esta garantía. Esta garantía expresa le otorga derechos legales específicos, y es posible que también tenga otros derechos que varían de un estado a otro.



**Visítenos en línea, en www.masterbuilt.com
o llene y retorne
Attn: Warranty Registration
Masterbuilt Mfg., LLC
1 Masterbuilt Court - Columbus, GA 31907**

Nombre: _____ Dirección : _____ Ciudad: _____

Estado/Provincia: _____ Código postal: _____ Teléfono: (____) - _____

Dirección de e-mail: _____

*Número del modelo: _____ *Número de serie: _____

Fecha de compra: ____ - ____ - ____ Lugar de compra: _____

**El número de modelo y número de serie se encuentran en una etiqueta plateada en la parte posterior de la unidad.*

MASTERBUILT®

EST. 1973

Rest assured, we're here to help.

Customer Service
Service à la clientèle
Servicio de atención al cliente

[masterbuilt.com/contact](https://www.masterbuilt.com/contact)

Masterbuilt Manufacturing, LLC
1 Masterbuilt Court | Columbus, GA | 31907

@masterbuilt



1.800.489.1581

www.masterbuilt.com

