

Instructions for 12V Camera Power Panel® Lithium

THANK YOU for your purchase of the 12V Camera Power Panel Lithium. Please read this sheet before using the unit. If you should have any questions about this product or any other Moultrie product, please contact us using the information on the back of these instructions. Please register your Camera Power Panel Lithium at www.moultriefeeders.com/warranty-form to activate your 1-year warranty.

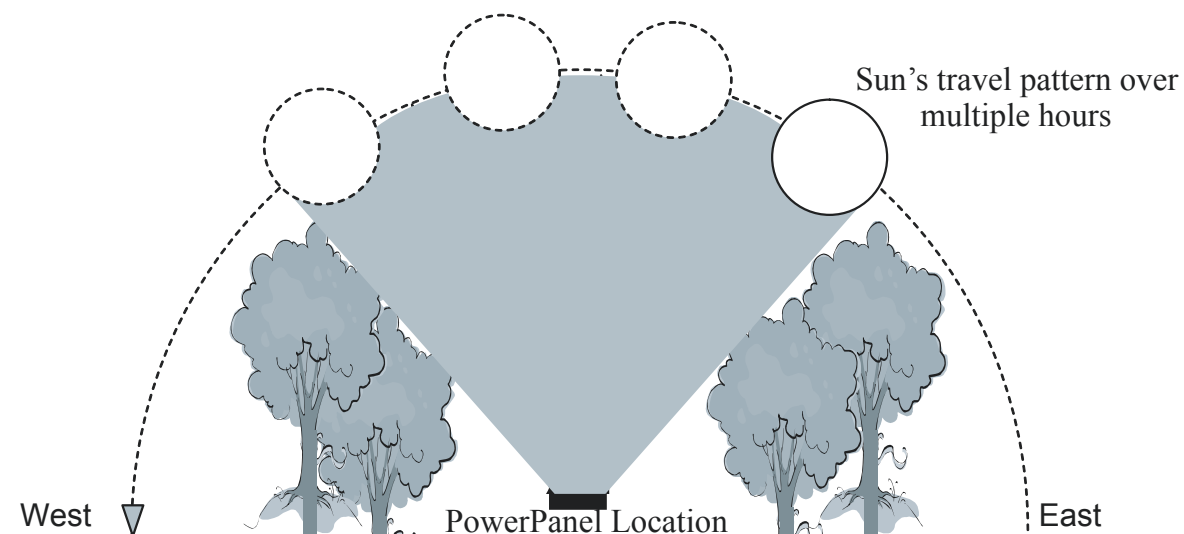
IMPORTANT: Moultrie recommends fully charging battery as outlined in Section D before using Camera Power Panel for the first time.

A ABOUT THE POWER PANEL

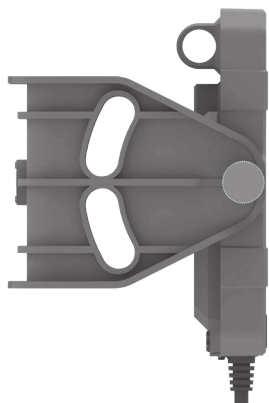
The number of days in which the field life of your Game Camera or Moultrie Mobile device is extended using the Power Panel is dependent on model and, most importantly, the installation location of the Power Panel. Exposing the Power Panel to direct sunlight for the majority of the day will result in the greatest increase in charge rate and as a result extend field life. **Alkaline or lithium batteries should be installed in your Game Camera or Moultrie Mobile device when using the Power Panel. Rechargeable batteries should NOT be used.**

B QUICK START INSTRUCTIONS

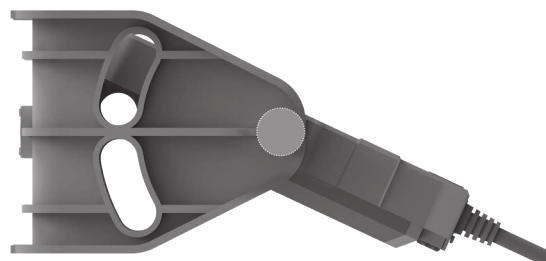
- 1 SELECT SUNNY LOCATION FOR MOUNTING** - The more exposure the Power Panel has to direct sunlight, the longer it will extend the field life of your Moultrie Game Camera or Moultrie Mobile device. Select a sunny mounting location in an open field or where there is a very large East to West opening in the tree canopy as shown.



- 2 MOUNT Power Panel** - Mount or install Power Panel above ground level. Mount the plastic bracket to a tree, limb, stump or pole using provided lag bolts or strap (U-bolts or a bungee strap can also be used; not included). Plastic bracket may be removed for easier access and may be mounted vertically or horizontally. Bracket can be rotated and locked to achieve optimal angle as shown. Power Panel may also be mounted using the 1/4"-20 thread mount positions located on rear and edge of panel.

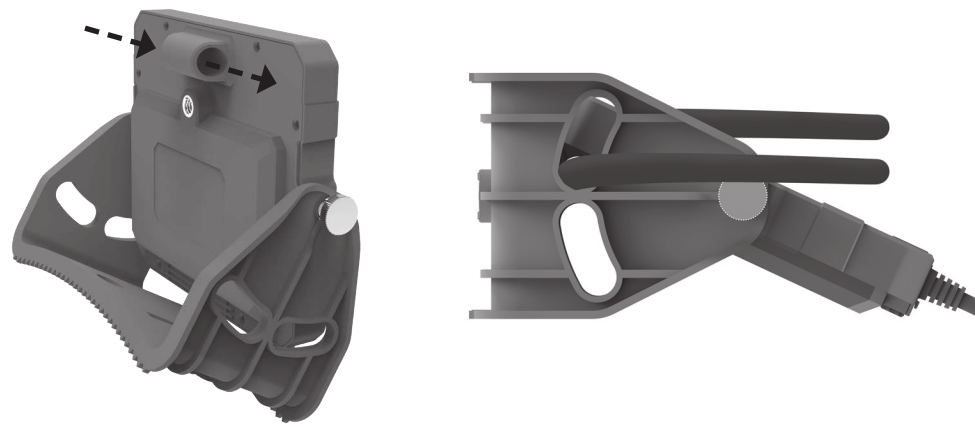


Vertical Mounting

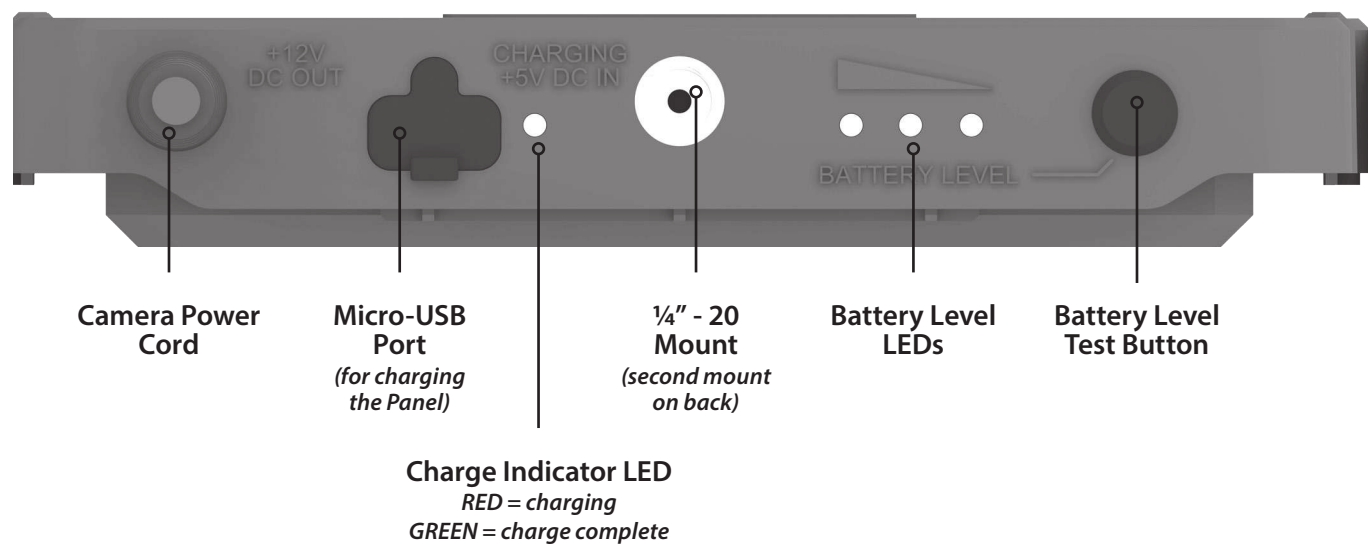


Loosen Knob to Rotate Bracket

- 3** **SECURE Power Panel** - The Power Panel has an integrated loop for a cable lock to pass through. Slide the cable through each side of the bracket and through the loop on the back of the Panel.



C POWER PANEL DISPLAY INFORMATION



D CHARGING

- 1** Plug micro-USB charging cord (not included) into the micro-USB port on the Power Panel and plug into charger to fully charge the battery. As an option to charging with USB cable, set the Camera Power Panel in direct sunlight until the battery is fully charged (**Note: see above for battery level indicator location**).
- 2** With supplied hardware, attach Camera Power Panel to a tree or post next to camera. There are multiple 1/4"-20 mounting options – one on the bottom by the interface and one on the back near the cable lock loop – connect Camera Power Panel to a tripod or camera stake.
- 3** Optimize Power Panel charging efficiency by mounting in direct sunlight for as much of the day as possible.
- 4** Locate the 12V power port on your Game Camera or Moultrie Mobile Device and remove cover. Plug the Power Panel cable into the power port on the camera – ensuring a snug fit – and turn on camera.

FCC COMPLIANCE

This device complies with part 15 of the FCC Rules. Operation is subject to the following two conditions: (1) This device may not cause harmful interference, and (2) this device must accept any interference received, including interference that may cause undesired operation.

For devices approved under Part 15, the user's manual or instruction manual for an intentional or unintentional radiator shall caution the user about changes or modifications to the device (Section 15.21).

NOTE: This equipment has been tested and found to comply with the limits for a Class B digital device, pursuant to part 15 of the FCC Rules. These limits are designed to provide reasonable protection against harmful interference in a residential installation. This equipment generates, uses and can radiate radio frequency energy and, if not installed and used in accordance with the instructions, may cause harmful interference to radio communications. However, there is no guarantee that interference will not occur in a particular installation.

If this equipment does cause harmful interference to radio or television reception, which can be determined by turning the equipment off and on, the user is encouraged to try to correct the interference by one or more of the following measures:

- Reorient or relocate the receiving antenna.
- Increase the separation between the equipment and receiver.
- Connect the equipment into an outlet on a circuit different from that to which the receiver is connected.
- Consult the dealer or an experienced radio/TV technician for help.



Our Service Department will gladly answer any questions you have.
www.moultriefeeders.com/support

MCA-13302 • 07262021