

Jaxi 6030 AcrylX Alcove Bathtub

Model number:

106882

Dimensions: 60" x 31.5" x 17.5"

Installation: Alcove

Material: AcrylX™ Applied Acrylic

Standard Features:

- Modern minimalist and comfortable design
- Compatible with Utile
- Integrated flat skirt and tiling flange
- Textured bottom

Product characteristics:

- AcrylX™
- Soaking Tub
- Modern Design

Warranty:

Lifetime limited



Standard Colors:



White (002)



Bone (004)



Biscuit (007)

Certifications

MAAX products adhere to one or more of the following certifications:



Recommended products (Visit our website for a complete list of our recommended products)

No	Description
<input type="checkbox"/> 139398	Halo 56 ½-59 x 59 in. 8 mm Sliding Tub Door for Alcove Installation
<input type="checkbox"/> 136300	Decor Plus 57 ½-59 ½ x 56 in Sliding Tub Door for Alcove Installation
<input type="checkbox"/> 135330	Incognito 57 Shaker 56-59 x 56 ¾ in. 8mm Sliding Tub Door for Alcove Installation

MAAX

Jaxi 6030 AcrylX Alcove Bathtub

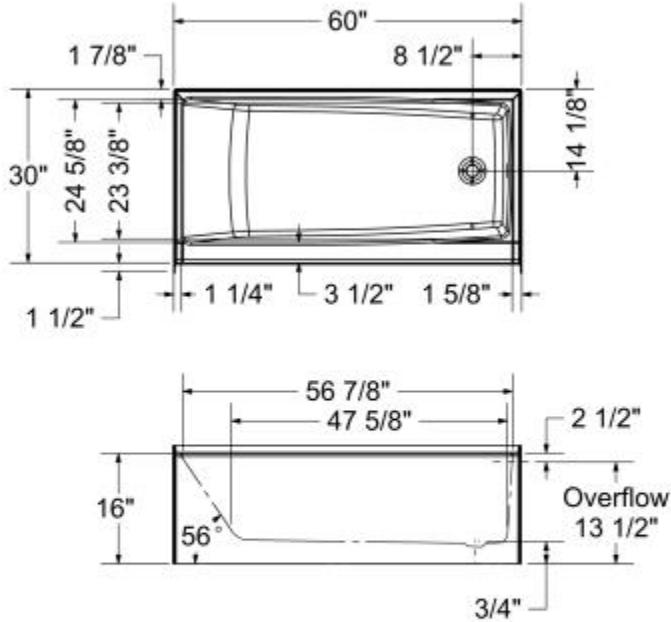
Model number:

106882

Dimensions: 60" x 31.5" x 17.5"

Installation: Alcove

Material: AcrylX™ Applied Acrylic



All dimensions are approximate. Structure measurements must be verified against the unit to ensure proper fit.

Dimensions

60 x 31 1/2 x 17 1/2 In.
(1524 x 800 x 445 mm)

Water Capacity

49 gallons - 184 liters

Weight

55 lbs - 25 kg

Bathing Well

47 3/4 In. x 23 1/2 In.
(1210 mm x 594 mm)

Deep Sump Height

10.5 In. - 267 mm

Deck Width

3.5 In. - 89 mm

Drain location:

Left

Right

Project:

Contractor:

Representative:

Date:

Tel:

Notes:

MAAX