

Lumea C•L Dimmer

Dimmer for CFL, LED, Halogen, and Incandescent dimmable bulbs.

Features

- Select light level with slider.
- Slide down to turn off lights.
- HED Technology: Advanced Lutron dimming circuitry designed for compatibility with most high efficacy light bulbs.
- UL® Listed to control:
 - Dimmable compact fluorescent (CFL) with integrated ballast
 - Dimmable LED with integrated driver
 - Halogen
 - Incandescent
- Low-end light level adjustment to accommodate a wide range of bulbs.
- 100% factory tested.

Application Requirements

- **When dimming CFLs or LEDs, they must be Lutron compatible for optimum performance.**
- For a complete list of compatible DIMMABLE CFLs and LEDs please visit www.lutron.com/dimcflled. For questions call 1.844.LUTRON1 (1.844.588.7661).
- Some DIMMABLE CFLs and LEDs require a minimum number of bulbs for proper operation. For details and a list of bulbs, please visit www.lutron.com/dimcflled.

Model Number

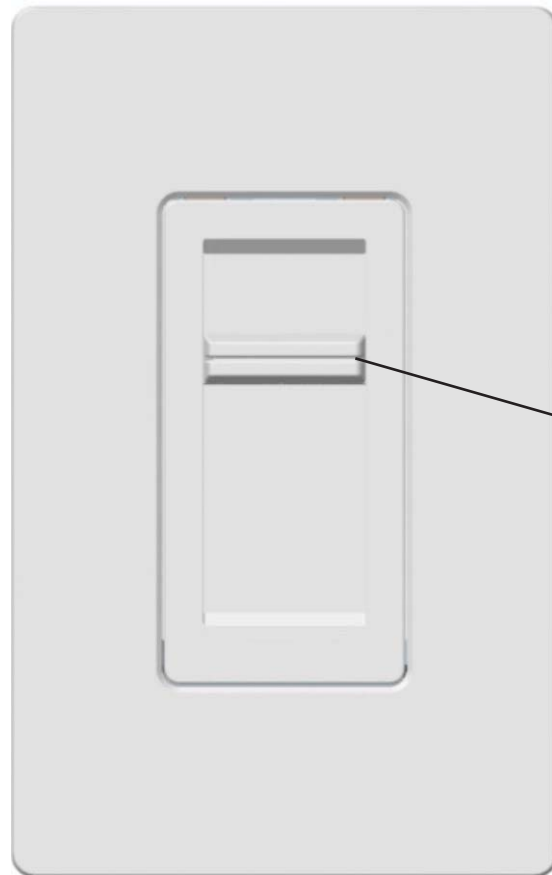
- LECL-150H-XX¹ Single pole
- LECL-150H-XX-C^{1,2} Single pole

¹ "XX" in the model number represents color/finish code.

See "**Colors and Finishes**" on next page.

² Clamshell packaged product for Canada.

Available in IV, LA, and WH.



Select light level with slider. Slide down to turn off lights.

* Wallplate sold separately

<p>Job Name:</p>	<p>Model Numbers:</p>
<p>Job Number:</p>	

Specifications

Regulatory Approvals

- UL[®] Listed to US and Canadian safety requirements UL1472/CSA C22.2 184.1
- SSL7A compliant
- NOM compliant

Power and Ratings

- 120 V~ 60 Hz
- 150 W dimmable CFL/LED
- or**
- 600 W Incandescent/Halogen
- or**
- Mixed bulb type per **Multigang and Mixed Bulb Type Ratings** table (see page 3)
- Minimum load
 - Incandescent/Halogen: 10 W
 - LED: 1 SSL7A compliant lamp unless stated otherwise in the Lutron compatible bulb list at www.lutron.com/dimcflled

Environment

- For indoor use only
- Operating temperatures 32 °F to 104 °F (0 °C to 40 °C)

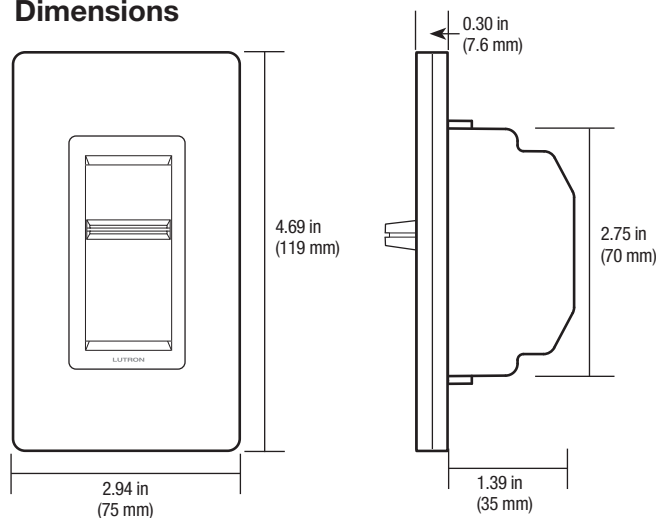
Performance

- Power-failure memory
- Captive linear slider
- Electrostatic discharge tested
- Precise color matching
- Mechanical air-gap switch to disconnect load power

Warranty

- 1 Year Limited Warranty
- For additional Warranty information, please visit www.lutron.com/TechnicalDocumentLibrary/369-119_Wallbox_Warranty.pdf

Dimensions



Note: Requires a U.S. wallbox 2½ in (64 mm) deep minimum.

Colors and Finishes

Gloss Finishes

Add color/finish code to model #

Example: LECL-150H-WH

IV	Ivory
LA	Light Almond
WH	White

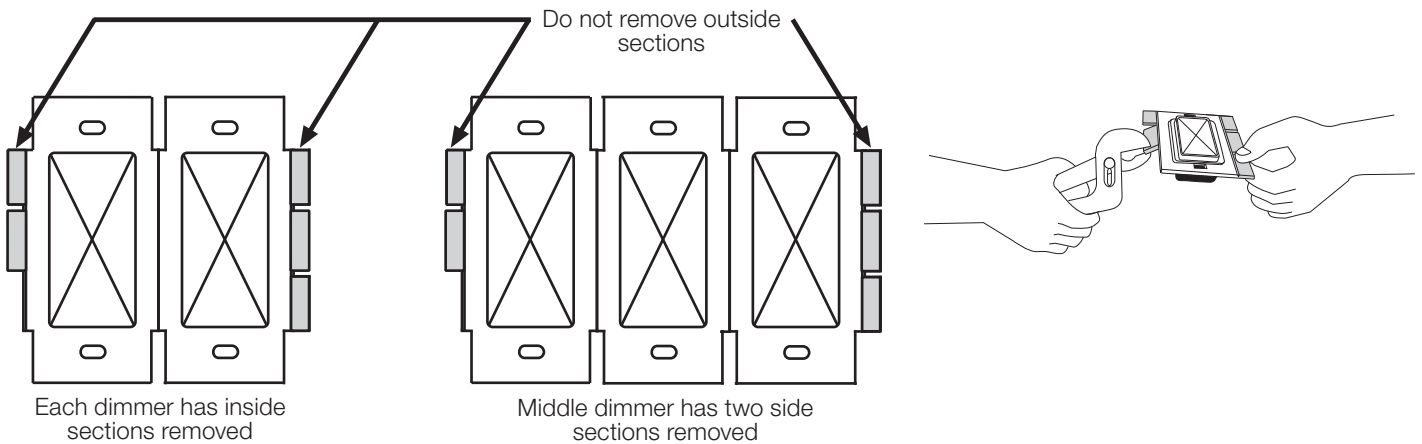
Job Name:	Model Numbers:
Job Number:	

Multigang and Mixed-Bulb-Type Ratings

When installing more than one dimmer in the same wallbox, it may be necessary to remove some side sections prior to wiring (**see diagram**). Removal of dimmer side sections may reduce maximum wattage, as shown in the chart below.

Mixing bulb types (**using a combination of CFL/LED, and Incandescent/Halogen bulbs**) will also affect the maximum ratings, as shown in the chart below.

EXAMPLE: If one set of side sections is removed and there are two 24 W LED bulbs installed (Total LED Wattage = 48 W), up to 300 W of incandescent or halogen lighting may be added.

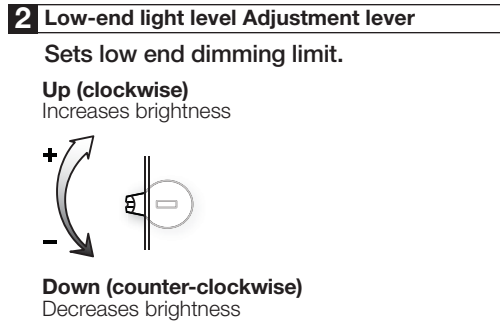
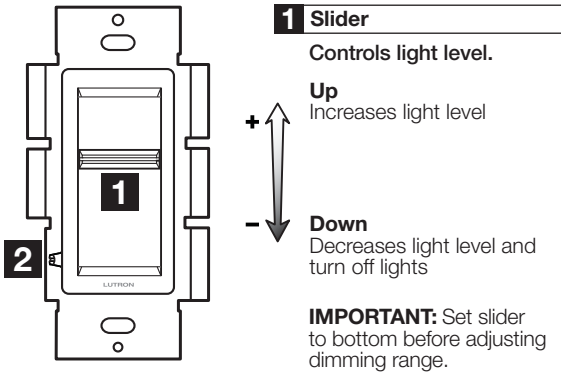


Total CFL/LED Wattage Installed (Wattage per bulb x # of bulbs)	Maximum Allowable Incandescent/Halogen Wattage		
	No sides removed	1 side removed	2 sides removed
0 W	+ 600 W	500 W	400 W
1 W – 25 W	+ 500 W	400 W	300 W
26 W – 50 W	+ 400 W	300 W	200 W
51 W – 75 W	+ 300 W	200 W	100 W
76 W – 100 W	+ 200 W	100 W	50 W
101 W – 125 W	+ 100 W	50 W	0 W
126 W – 150 W	+ 0 W	0 W	0 W

Job Name:	Model Numbers:
Job Number:	

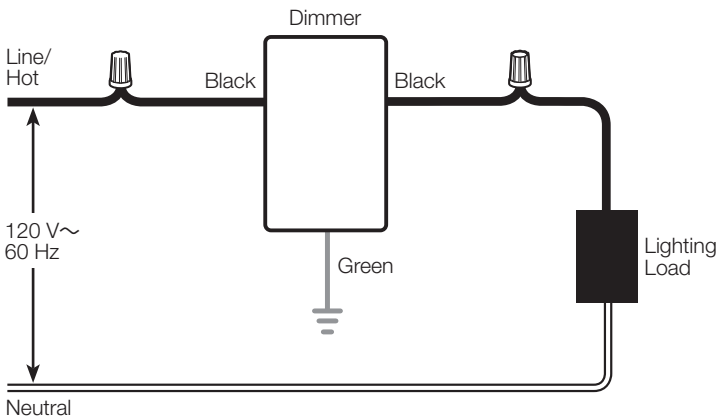
Operation

(View with wallplate removed)



Wiring Diagram

Single-Pole Wiring



Lutron, Lutron, Lumea, and C•L are trademarks of Lutron Electronics Co., Inc., registered in the U.S. and other countries.
HED is a trademark of Lutron Electronics Co., Inc.
UL is a registered trademark of Underwriters Laboratories Inc.

Job Name:	Model Numbers:
Job Number:	