

FEATURES & SPECIFICATIONS

INTENDED USE — Specification premium, high performance, static T8 luminaires provide general illumination for recessed applications; ideal for restricted plenum spaces. **Certain airborne contaminants can diminish integrity of acrylic.** [Click here for Acrylic Environmental Compatibility table for suitable uses.](#)

Attributes: Designed exclusively for use with T8 lamps, electronic ballasts and sockets.

CONSTRUCTION — Smooth hemmed sides and smooth, inward formed end flanges for safe handling. Lighter weight fixture allows safe, easy installation.

Standard steel door frame has superior structural integrity with premium extruded appearance and precision flush mitered corners. Steel door allows easy lens replacement without frame disassembly (for lenses up to .156" thick). Powder-painted, steel latches provide easy, secure door closure.

Superior mechanical light seal requires no foam gasketing. Integral T-bar clips secure fixture to T-bar system. Housing formed from cold-rolled steel. Acrylic shielding material 100% UV stabilized. No asbestos is used in this product.

US PATENTS: 6,210,025; 6,231,213; 6,213,625; 2,288,471.

Finish: Five-stage iron-phosphate pretreatment ensures superior paint adhesion and rust resistance. Painted parts finished with highly reflective matte white enamel.

OPTICS — A12 lens features reverse apex technology for superior lamp obscuration and improved visual comfort.

ELECTRICAL — Standard ballast is electric, thermally protected, resetting, Class P, HPF, non-PCB, UL Listed, CSA certified ballast, universal voltage and sound rated A.

Luminaire is suitable for damp locations. AWM, TFN or THHN wire used throughout, rated for required temperatures.

LISTINGS — Standard: UL. Optional: Canada — CSA or cUL; Mexico — NOM.

WARRANTY — 1-year limited warranty. Complete warranty terms located at www.acuitybrands.com/CustomerResources/Terms_and_conditions.aspx

Note: Actual performance may differ as a result of end-user environment and application.

Specifications subject to change without notice.

Catalog Number
Notes
Type

Specification Premium T8 Troffer

SP8 2'X2'



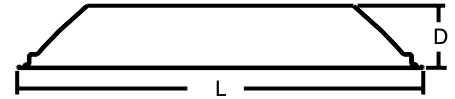
COMPACT FLUORESCENT, STRAIGHT AND U LAMPS

2, 3, 4 Lamps
CF or T8 only



Specifications

Length: 24 (61.0)
Width: 24 (61.0)
Depth: 3-11/16 (9.4)
Weight: 15 lbs (7 kg)



All dimensions are inches (centimeters) unless otherwise indicated.

ORDERING INFORMATION

For shortest lead times, configure product using **standard options (shown in bold)**.

Example: 2SP8 G 3 U31 A12125 MVOLT 1/3 GEB10IS

Series	Trim type	Number of lamps	Lamp type	Door	Diffuser
2SP8 2' wide	G Grid	2	17 17W T8 (24")	(blank) Flush steel, white	A12 #12 pattern acrylic, reverse apex
	F Overlapping flanged	3	U31 31W T8 (24")	FN Flush aluminum, natural	A12125 #12 pattern acrylic, .125" thick
		4¹	U316 32W T8 U (6" leg. 24") ²	FM Flush aluminum, matte black	RA125 #12 pattern acrylic, .125" thick, reverse apex
		Not included.	CF40 40W TTS (24")	FW Flush aluminum, white	A19 #19 pattern acrylic, .156" thick
				RN Regressed aluminum, natural	A15 #15 pattern acrylic, .2" thick
				RM Regressed aluminum, matte black	PC15 1/2" x 1/2" x 1/2" plastic cube louver, silver
				RW Regressed aluminum, white	PC25 1-1/2" x 1-1/2" x 1" plastic cube louver, silver w/flange
					PC35 3/4" x 3/4" x 1/2" plastic cube louver, silver
Voltage	Options				
120	1/4	One 4-lamp ballast	GMF	Internal slow-blow fuse ⁷	
277	1/3	One 3-lamp ballast	LST	Tandem-wired fixture pairs (shared ballasts)	
347	GEB10IS	Electronic ballast, ≤ 10% THD, instant start	PWS1836	6' prewire, 3/8" dia., 18-gauge, 1-circuit	
MVOLT ³	GEB10RS	Electronic ballast, ≤ 10% THD, rapid start	JP	Palletized and stretch-wrapped without individual cartons, grid trim only	
Others available.	GEB10PS	Electronic ballast, < 10% THD, programmed start ⁴	CSA	CSA Certified	
	EL	500 nominal lumen battery pack (non-CEC compliant) ⁵	NOM	NOM Certified	
	EL14	1400 nominal lumen battery pack (non-CEC compliant) ⁶			
	EL14 T20C	1400 nominal lumen battery pack, CEC compliant ⁶			
	GLR	Internal fast-blow fuse ⁷			

Notes

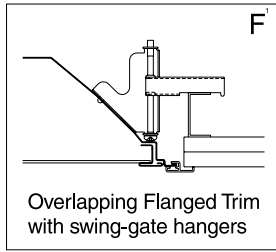
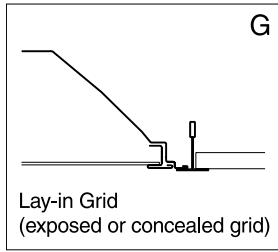
- Four-lamp models available with 17W straight tubes only.
- Not available on 3-lamp models. Use U31.
- MVOLT standard for 120-277V applications, 50-60Hz operation. Some options require voltage specified.

- Not available with compact fluorescent lamps – use GEB10RS.
- Must use 1/4 with 4-lamp 17W.
- Not available with 2 or 4 lamp 17W or 2 lamp U31 and CF40.
- Must specify voltage; 120 or 277.

SP8 2' x 2' Static T8 Troffer

MOUNTING DATA

Continuous row mounting of flanged units requires CRE and CRM trim options (see Options).

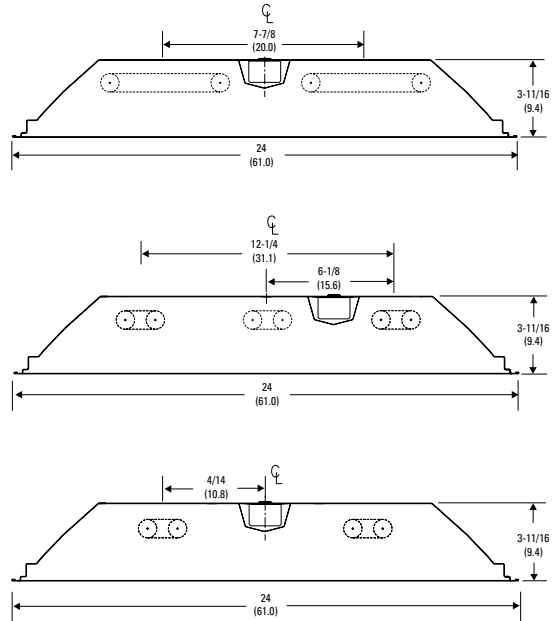


Notes

1 Recommended rough-in dimensions for F-trim fixtures: 24" x 24" (Tolerance is +1/4" or -0"). Swing-gate range 1-3/16" to 3-15/16". Swing-gate span 23-3/8" to 26-11/16". Fixture swing-gate points require additional 9/16" over nominal fixture height.

DIMENSIONS

All dimensions are inches (centimeters) unless otherwise indicated. Specifications subject to change without notice.



PHOTOMETRICS

Calculated using the zonal cavity method in accordance with IESNA LM41 procedure. Floor reflectances are 20%. Lamp configurations shown are typical. Full photometric data on these and other configurations available upon request.

2SP8 2CF40 A12*

Report LTL 7538RP

Lumens per lamp - 3150 – Lum. eff. - 86.0%

S/MH (along) 1.2 (across) 1.4

Coefficient of Utilization

Ceiling	80%			70%			50%		
Wall	70%	50%	30%	70%	50%	30%	50%	30%	10%
0	102	102	102	100	100	100	96	96	96
1	95	91	88	92	89	86	85	83	81
2	87	81	75	85	79	74	76	72	69
3	80	72	66	78	71	65	68	63	59
4	74	64	58	72	63	57	61	56	51
5	68	58	51	67	57	50	55	50	45
6	63	53	46	62	52	45	50	44	40
7	59	48	41	58	47	41	46	40	36
8	55	44	37	54	43	37	42	36	32
9	52	41	34	50	40	34	39	33	29
10	48	37	31	47	37	31	36	30	26

Zonal Lumens Summary

Zone	Lumens	%Lamp	%Fixture
0-30	1811	28.7	33.4
0-40	2989	47.5	55.2
0-60	4700	74.6	86.8
0-90	5418	86.0	100.0
90-180	0	0	0
0-180	5418	86.0	100.0

2SP8 2U31 A12*

Report LTL 7547

Lumens per lamp - 2800 – Lum. eff. - 75.4%

S/MH (along) 1.2 (across) 1.4

Coefficient of Utilization

Ceiling	80%			70%			50%		
Wall	70%	50%	30%	70%	50%	30%	50%	30%	10%
0	90	90	90	88	88	88	84	84	84
1	83	80	77	81	78	75	75	73	71
2	76	71	66	74	69	65	67	63	60
3	70	63	57	68	62	57	60	55	51
4	65	56	50	63	55	50	54	49	45
5	60	51	44	58	50	44	48	43	39
6	55	46	40	54	45	39	44	39	35
7	52	42	36	50	41	35	40	35	31
8	48	38	32	47	38	32	37	32	28
9	45	35	29	44	35	29	34	29	25
10	42	33	27	41	32	27	32	27	23

Zonal Lumens Summary

Zone	Lumens	%Lamp	%Fixture
0-30	1396	24.9	33.1
0-40	2302	41.1	54.5
0-60	3654	65.3	86.6
0-90	4220	75.4	100.0
90-180	0	0	0
0-180	4220	75.4	100.0

2SP8 2 U316 A12

Report LTL 8579

Lumens per lamp - 2600 – Lum. eff. - 72.8%

S/MH (along) 1.2 (across) 1.3

Coefficient of Utilization

Ceiling	80%			70%			50%		
Wall	70%	50%	30%	70%	50%	30%	50%	30%	10%
0	87	87	87	85	85	85	81	81	81
1	80	77	74	78	75	73	72	70	68
2	73	68	63	72	67	62	64	61	58
3	68	61	55	66	59	54	57	53	49
4	62	54	48	61	53	48	52	47	43
5	58	49	43	56	48	42	47	42	38
6	53	44	38	52	44	38	42	37	33
7	50	40	34	49	40	34	39	34	30
8	46	37	31	45	37	31	36	31	27
9	43	34	28	42	34	28	33	28	24
10	41	32	26	40	31	26	31	26	22

Zonal Lumens Summary

Zone	Lumens	%Lamp	%Fixture
0-30	1266	24.4	33.4
0-40	2059	39.6	54.4
0-60	3246	62.4	85.7
0-90	3787	72.8	100.0
90-180	0	0	0
0-180	3787	72.8	100.0