



3152-F

Medium Base, One-Piece, Keyless, Incandescent, Unglazed Porcelain Lampholder, Bracket Mount, Single Circuit, Back Wired, - White

Technical Information

Mechanical Specifications

Termination: 2 Terminal Screws

Mounting Type: C-1 Up Bracket

Product Features

Lampholder Type: Keyless

Light Type: Incandescent

Lamp Base: Medium

Construction: One-Piece

Material Specifications

Shell Material: Aluminum

Product Features

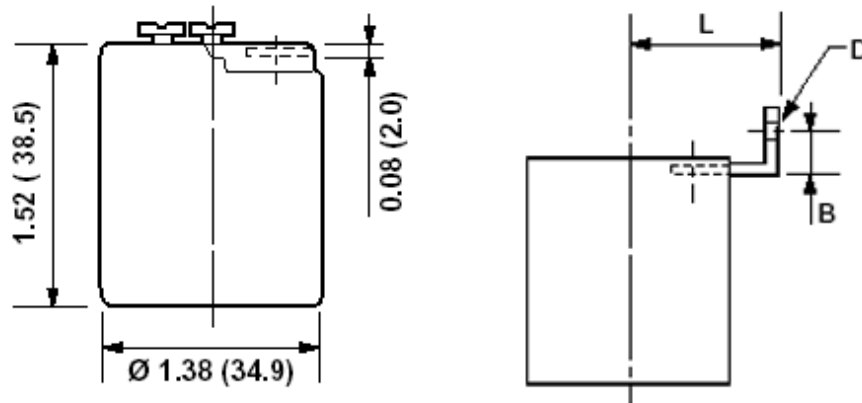
Construction: One-Piece

Mounting Type: C-1 Up Bracket

Termination: 2 Terminal Screws

UPC Code: 07847719844

Country Of Origin: China



Dash No.	L	B	D
00F	43/64 (17.07)	9/32 (7.14)	13/64 (5.16)

SPECIFICATION SUBMITTAL

JOB NAME:	CATALOG NUMBERS:	
<input type="text"/>	<input type="text"/>	<input type="text"/>
JOB NUMBER:	<input type="text"/>	<input type="text"/>

Leviton Manufacturing Co., Inc.

201 North Service Road, Melville, NY 11747

Telephone: +1-800-323-8920 · FAX: +1-800-832-9538 · Tech Line (8:30AM-7:30PM E.S.T. Monday-Friday):
+1-800-824-3005

Leviton Manufacturing of Canada, Ltd.

165 Hymus Boulevard, Pointe Claire, Quebec H9R 1E9 · Telephone: +1-800-469-7890 ·
FAX: +1-800-824-3005 · www.leviton.com/canada

Leviton S. de R.L. de C.V.

Lago Tana 43, Mexico DF, Mexico CP 11290 · Tel.: (+52)55-5082-1040 · FAX: (+52)5386-
1797 · www.leviton.com.mx

Visit our Website at: www.leviton.com

© 2018 Leviton Manufacturing Co., Inc. All Rights Reserved. Subject to change without notice.

Leviton has a global presence.

If you would like to know where your local Leviton office is located please go to:
www.leviton.com/international/contacts/

