

**IMPORTANT WARRANTY INFORMATION PLEASE READ  
FILL OUT AND RETURN ENCLOSED WARRANTY CARD**

THIS WARRANTY COVERS:  
LEM 1167 330 LB. Digital Scale  
THE WARRANTY IS EXTENDED TO THE ORIGINAL PURCHASER ONLY

**WARRANTY DURATION:** This product is warranted to the original purchaser for a period of one (1) year from the original purchase date. **EACH UNIT COMES WITH A WARRANTY CARD, WHICH MUST BE FILLED OUT COMPLETELY AND RETURNED IMMEDIATELY, WITH A COPY OF THE PURCHASING RECEIPT. FAILURE TO RETURN YOUR WARRANTY CARD WILL LIMIT WARRANTY TO 90 DAYS WITH PROOF OF PURCHASE.**

**WARRANTY COVERAGE:** This product is warranted against defective materials or workmanship. The warranty is void if the product has been damaged by accident, misuse, neglect, modification or improper service or repairs by unauthorized personnel. It is also void if damaged in shipment or by other causes not arising out of defects in the materials or workmanship. This warranty does not extend to any units which have been in violation of written instructions furnished. This warranty covers only the product and its specific parts, not food or other products processed in it.

**WARRANTY DISCLAIMERS:** This warranty is in lieu of all warranties expressed or implied, and no representative or person is authorized to assume any other liability in connection with the sale of our products. There shall be no claims for defects or failure of performance under any theory of sort, contract or commercial law including, but not limited to negligence, gross negligence, strict liability or breach of contract. The manufacturer declines all responsibility for damage to persons, things or animals arising from the failure to comply with the norms contained in this manual. The manufacturer reserves the right to make modifications at anytime to the models while maintaining the main characteristics described herein. The manufacturer also declines all responsibility for any errors in compiling this manual.

**WARRANTY PERFORMANCE:** During the above one year warranty period, a product with a defect will either be repaired or replaced after the product has been inspected by an LEM Service Technician. **LEM RESERVES THE RIGHT TO REFUSE WARRANTY PERFORMANCE OR PRODUCT EVALUATION UNLESS THE ORIGINAL SALES RECEIPT OR THE WARRANTY CARD IS ON FILE.** The repaired product will be in warranty for the balance of the one year warranty period. No charge will be made for such repair or replacement.

**IMPORTANT NOTICE:** If any parts are missing or defective, please contact our Customer Service Department for assistance at 877-536-7763 (M-F 8:30am to 4:30pm EST). **DO NOT RETURN TO THE STORE WHERE THE PRODUCT WAS PURCHASED.** LEM Products is not responsible for, or will not cover under warranty, missing or damaged parts on discounted/clearance, resale or final sale items where the seller may not be able to guarantee full functionality or completeness of the unit.

**LEM PRODUCTS MERCHANDISE RETURN POLICY WARRANTY SERVICE:** To obtain service under terms of this warranty, please contact us at 877-536-7763 to obtain authorization prior to returning the merchandise. No merchandise will be accepted without prior authorization. Prior to returning the product for warranty repair the product must be thoroughly cleaned and free from any food particles or other debris. Failure of the purchaser to comply with this standard may result in the unit being returned without repair. In some cases, a \$50 cleaning surcharge may apply. Please return the product prepaid in the original packaging if possible, enclose a copy of your receipt, (keep a copy of your proof-of-purchase for your records) and include a written explanation of the issue. Ship to LEM Products, 4440 Muhlhauser Road, Suite 300, West Chester, OH 45011. LEM Products is not responsible for damage incurred in shipping, make certain to pack product properly. Return shipping charges are the responsibility of the purchaser. Packages returned to LEM should be insured for the value of the product to cover any damages that may occur during shipping.

Revised February 24, 2017



# 330 LB. DIGITAL SCALE

## USE & MAINTENANCE

1167

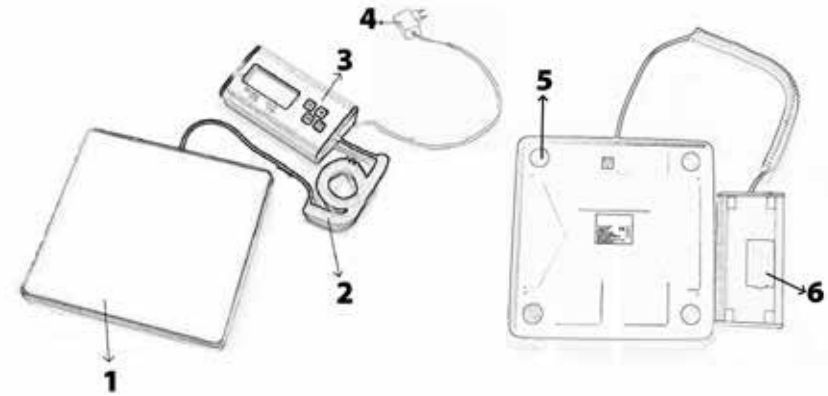


**1 YEAR  
WARRANTY**

# GENERAL WARNINGS AND SAFETY INFORMATION

## IT IS IMPORTANT TO READ AND UNDERSTAND ALL OF THE INSTRUCTIONS AND SAFEGUARDS PRIOR TO USE

- Save these instructions for future reference.
- The scale must be kept stable for accurate weighing.
- Do not drop, shock or overload the scale.
- Place items to be weighed onto the scale with care. Although the scale is designed to be durable, rough treatment may permanently damage the internal sensor.
- The weight of the item should not exceed the capacity of the scale (330 lbs./150 kgs.). Overloading the scale may cause damage.
- Items should be placed on the center of the scale when being weighed.
- Scale should be kept free of dust, dirt, moisture, vibration and not in close proximity to other electronic equipment. Any or all of these may cause an adverse effect on the reliability and accuracy of the scale.
- If "0.Ld" appears on the display, then the item's weight has exceeded the maximum capacity of the scale. Remove item immediately. Scale can be permanently damaged by overloading.
- Store scale in a cool dry place. Do not expose the scale to moisture.
- Avoid lengthy exposure to extreme heat or cold.
- Do not allow items to sit on scale platform for an extended amount of time. Doing so may have an adverse effect on the longevity and accuracy of the scale.
- Failure to follow these directions/precautions may result in damage to your scale and may void warranty.



Part #	Description	Qty	Part #	Description	Qty
1	Platform	1	4	Adaptor	1
2	Cord	1	5	Foot	4
3	Display	1	6	Battery Cover	1

## SCALE FEATURES

- Capacity: 330 lbs./150 kgs.
- Graduation: 0.1 lbs. / 0.05 kgs.
- Battery operated: 1- 9V battery (included)
- AC Power cord: 10' (included)
- Cord: 7 1/2' fully extended
- Battery saving auto shut off (5 minutes)

## OPERATING INSTRUCTIONS

1. Place scale on a flat, stable surface.
2. Press the ON/OFF BUTTON on the display.
3. Wait for the display to show 0.0. This may take several seconds.
4. Use the MODE BUTTON on the display to change the reading from lbs., oz., or kgs.
5. Place the item to be weighed in the center of the stainless steel platform. Items must have a weight of .55 lb/.25 kg. or more to register.
6. Weight of item will be displayed.
7. Remove item from scale.

## INACCURACY/ERROR

The primary reasons for inaccuracy or error are low batteries, incorrect calibration, overload or operation on an unstable surface. This scale is a precise instrument and must be handled with the utmost care.

## CLEANING

Clean with a damp cloth and mild detergent.  
Never immerse unit, display, or cord in water or other liquids.

## KEY PAD FUNCTIONS

- ON/OFF:** Power switch
- MODE:** Change the weight unit between pounds, ounces, and kilograms.
- TARE:** This function is used to allow you to subtract the weight of a container.
1. Put container on scale.
  2. When readout is stable, press TARE- "o" will show by tare on display.
  3. Display will return to zero and allow you to add items to the container and obtain the weight of the items only, not the container.
    - a. Pressing TARE will reset the scale to zero.
- PCS:** This function counts pieces according to weight.
1. Display on scale should read 0.00.
  2. Add 25, 50, 75, or 100 pieces being weighed to the scale.
  3. Press and hold PCS
  4. Press MODE to choose the # of pieces on the scale (25,50,75, or 100).
  5. Press PCS again.
  6. Then you can remove pieces weighed and weigh random number of pieces. The # of pieces will be reflected on the display.