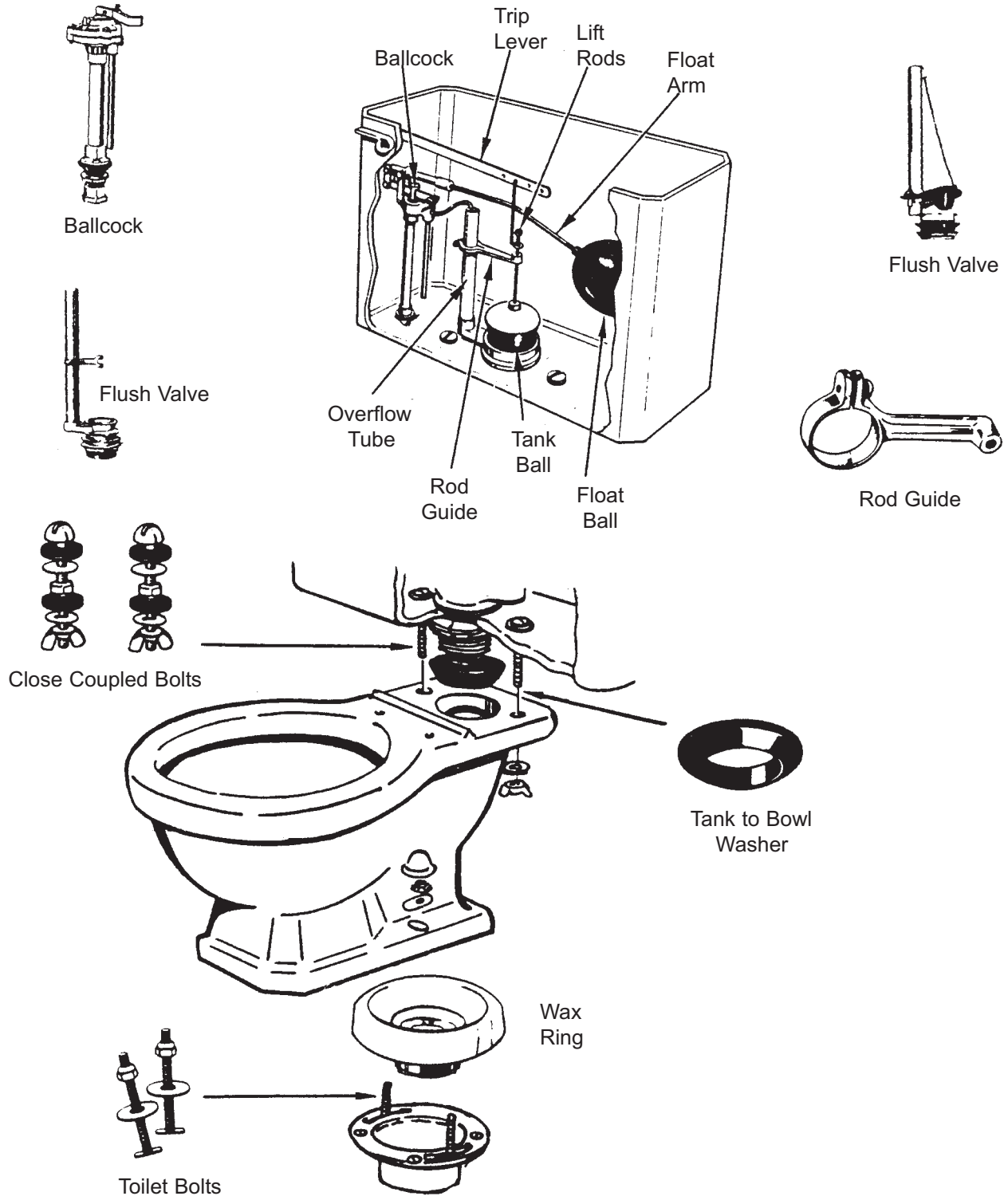


# TOILET REPAIR

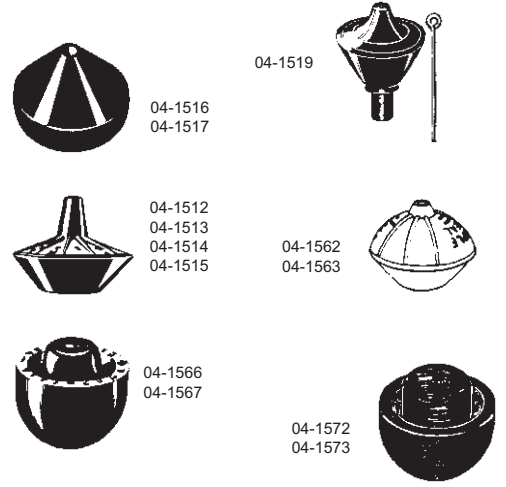




TANK BALL and ACCESSORIES

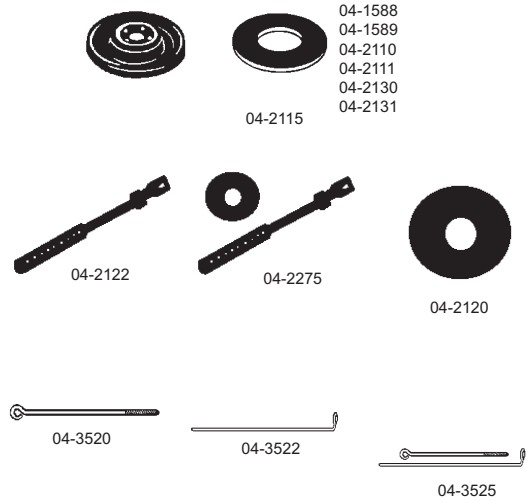
B = BULK  
C = CARDED  
P = POLY BAG

ITEM NO.	PACK	DESCRIPTION	CTN. QTY.
<b>TANK BALLS</b>			
04-1516	B	2-1/2" Black cone tank ball	12
04-1517	C	Same as above carded	6
04-1519	C	Tank ball with guide tip	6
04-1514	B	2-3/4" Triple Seal tank ball	12
04-1515	C	Same as above carded	6
04-1512	B	3" Triple Seal tank ball	12
04-1513	C	Same as above carded	6
04-1562	B	Heavy duty Triple Seal	12
04-1563	C	Same as above carded	6
04-1566	B	2-1/4" Tite Seal tank ball for Kohler	12
04-1567	C	Same as above carded	6
04-1572	B	2" Aristocrat tank ball for Eljer	12
04-1573	C	Same as above carded	6



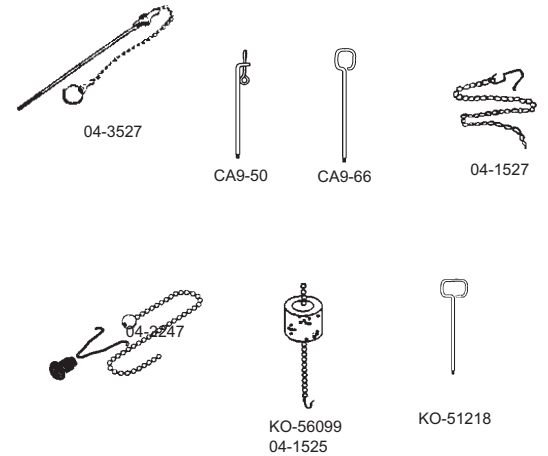
FLAPPER WASHERS

04-1588	B	Coast and Kohler plastic flapper seal	100
04-1589	C	Same as above carded	6
04-2110	B	Mansfield seal for 210 flush valve	100
04-2111	C	Same as above carded	6
04-2115	C	Mansfield seal for 208/209 flush valve	6
04-2130	B	Eljer flapper seal	100
04-2131	C	Same as above carded	6
04-2120	B	U.R. Seat seal	100
04-2122	B	U.R. Tilt valve strap	100
04-2275	C	U.R. Strap and seal set	6



LIFT WIRES

04-3520	B	Lower lift wire	100
04-3522	B	Upper lift wire	100
04-3525	C	Upper and lower lift wire set	6
04-3527	C	Lift wire and chain set	6
CA9-50	B	Case swivel lift wire	12
CA9-66	B	Case square head lift wire	12
04-1527	C	Flapper chain and hook	6
04-2247	C	American Standard tilt valve chain	6
KO-56099	B	Kohler chain with foam float	12
04-1525	C	Same as above carded	6
KO-51218	B	Kohler square head lift wire	6

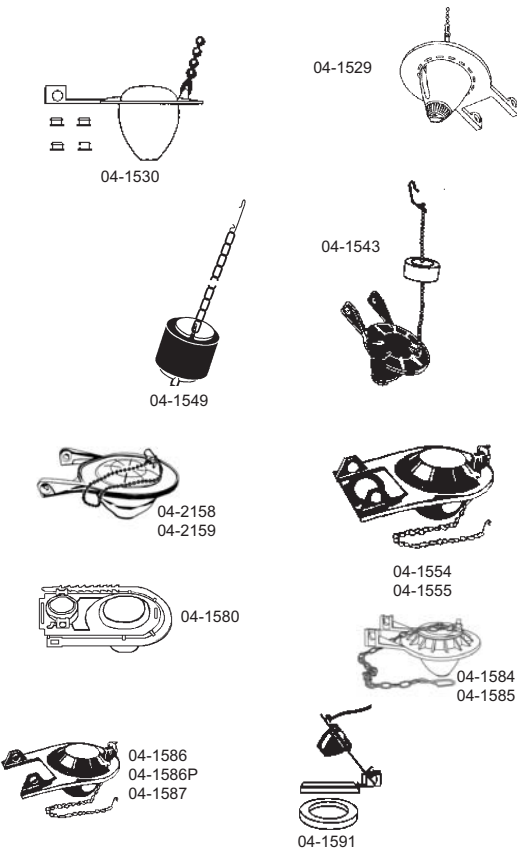


FLAPPERS

B = BULK  
C = CARDED

ITEM NO.	PACK	DESCRIPTION	CTN. QTY.
----------	------	-------------	-----------

LASCO FLAPPERS



04-1529	C	Lasco Adj water saver flapper	6
04-1530	B	HOOV-R-LINE Clear with Plugs and Hole	10
04-1543	C	Vinyl flapper with float and hole in bulb	6
04-1549	C	Centerline Adjustable Flapper Adjusts 5/8" in length and up to 30° in Angle	6
04-1554	B	"Magus" Bullet Proof "Green Flapper"	12
04-1555	C	Same as above carded	6
04-1580	B	"Big Red" Flappy with chain and vinyl strap	12
04-1584	B	Blue chemical resistant flapper	12
04-1585	C	Same as above carded	6
04-1586	B	Vinyl flapper with chain	100
04-1586P	P	Same as above Poly Bag	50
04-1587	C	Same as above carded	6
04-1579	C	Clear chemical resistant flapper	6
04-1591	C	Flush valve flusher repair	6
04-1594	B	Vinyl flapper with built in trunion	100
04-1595	C	Same as above carded	6
04-1596	B	"RX" Flapper	12
04-2158	B	3" Flapper • Replacement for Eljer Titan, Toto Blue, and American Standard Cadet 3	6
04-2159	C	Same as above carded	6

AMERICAN STANDARD FLAPPERS

04-1601	C	American Standard snap on disc	6
04-1603	C	American Standard screw on disc	6
04-1607	C	Red Chemical Resistant combo disc both snap and screw on	6
04-1609	C	CADET 3 • 3" Plastic Flapper	6

BRIGGS FLAPPERS

CASP-3	B	Briggs / Case flapper	126
--------	---	-----------------------	-----

COAST FLAPPERS

04-1541	C	Coast counter balance	6
04-1597	C	Coast plastic flapper	6



FLAPPERS CONT'D

B = BULK  
C = CARDED

ITEM NO.	PACK	DESCRIPTION	CTN. QTY.
----------	------	-------------	-----------

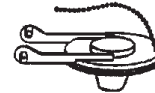
**CRANE FLAPPERS**

04-1576	B	Crane flapper	12
04-1577	C	Same as above carded	6



**DELTA FLAPPERS**

04-1592	B	Delta "Fill Pro" flapper	12
---------	---	--------------------------	----



04-1631



KO-87449

**ELJER FLAPPERS**

04-1631	C	Eljer 6031 flapper	6
04-1632	B	Eljer 6077 Titan flapper	1
04-1633	C	Same as above carded	6



04-1582  
04-1583



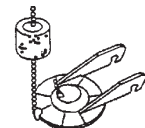
04-1632  
04-1633

**KOHLER FLAPPERS**

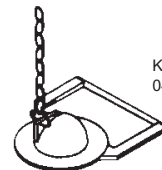
KO-87449	B	Kohler Blue flapper with Small Bulb	12
04-1582	B	Kohler "Replacement" flapper	12
04-1583	C	Same as above carded	6
KO-81096	B	Kohler plastic flapper with chain and float	12
04-1531	C	Same as above carded (Replacement)	6
KO-83064	B	Kohler "Genuine" with styrofoam insert	12
04-1533	C	Same as above carded (Replacement)	6
KO-84314	B	Kohler Red Flapper with fin on back	12
04-1537	C	Same as above carded	6
KO-84995	B	Kohler Red Flapper with square back	12
04-1535	C	Same as above carded	6
04-1538	B	Kohler 1016546 class five flapper	1
04-1539	C	Same as above carded	1
04-1545	C	Kohler 1039444 Cimarron	1



KO-83064  
04-1533



KO-81096  
04-1531



KO-84995  
04-1535



KO-84314  
04-1537



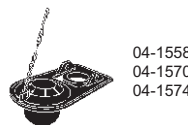
04-1506



04-1538  
05-1545

**KORKY FLAPPERS**

04-1504	C	Kohler Rialto 83064 Red Flapper	12
04-1506	C	Kohler Hinge 84995 Red Flapper	12
04-1508	C	Kohler Shark Fin 84314 Red Flapper	12
04-1570	B	Korky flapper	12
04-1558	B	Korky 1.6 Gal flapper	12
04-1574	B	Korky Plus flapper	12
04-4084	B	Korky Universal flapper	24
04-1640	B	Korky 3010BP Kohler CL5 Flapper	5
04-1642	B	Korky 3030BP Eljer Titan Flapper	5
04-1644	B	Korky 3040BP Am.Standard Cadet3 Flapper	5
04-1646	B	Korky 428BP Am Standard Champ FV Seal	5



04-1558  
04-1570  
04-1574



04-1504



04-4084



04-1508



04-1640



04-1642



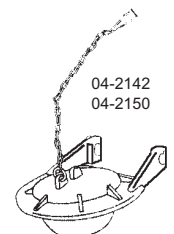
04-1644



04-2142  
04-2143



04-2150  
04-2151



04-2142  
04-2150



04-1646

**TOTO FLAPPERS**

04-2142	B	"Toto" Red Flapper • Replaces Old TA014	6
04-2143	C	Same as above carded	6
04-2150	B	"Toto" Blue Flapper	6
04-2151	C	Same as above carded	6



**NEW!**

**3 Inch Flush Valves & Parts**



**ITEM NO. DESCRIPTION**

**AMERICAN STANDARD**

04-2238 NEW "Champion" Flush Valve 3174.002, Replaces 3175.002 old style. *For 1 piece Toilets*

04-1644 Korky 3040BP American Standard Cadet3 Flapper

02-3102 417 American Standard 2-13/16 x 4-1/4 Champion **NEW**

02-3068 554 American Standard 2-5/8 x 3-1/4 Champion **OLD**

**ELJER**

04-1632 Eljer 6077 Titan flapper

04-2351 Titan 3 inch Flush Valve • *For 2 piece Toilets. CARDED*

**KOHLER**

04-2306 "Class Five" flush valve 1024385

04-1538 "Class Five" flapper 1016546

**TOTO**

04-2140 Flush Valve TA015 • *For 2 piece Toilets*

04-2152 Flush Valve • THU001Z • *For 1 piece Toilets*

04-2143 "Toto" Red Flapper • Replaces Old TA014. **CARDED**

04-2151 "Toto" Blue Flapper. **CARDED**

**LASCO**

04-2351 3 inch Flush Valve • *For 2 piece Toilets. CARDED*



**LARSEN SUPPLY COMPANY, INC.**  
**1-800-525-2726**

SP99

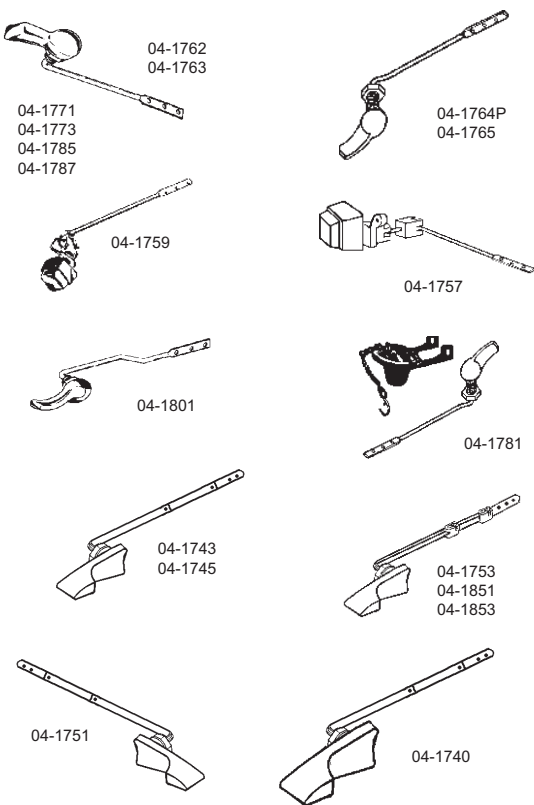


*(page intentionally left blank)*



**TOILET TANK FLUSH LEVERS**

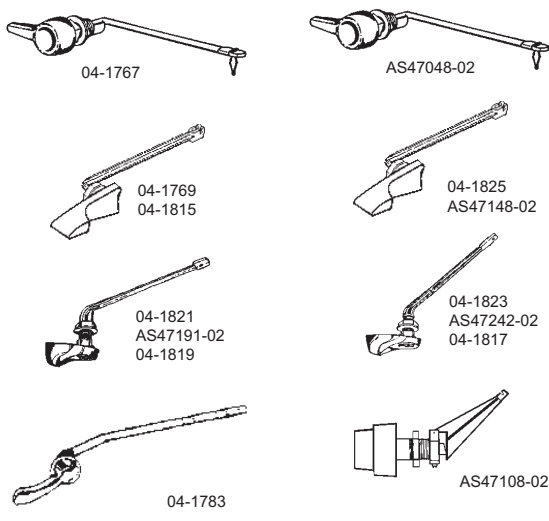
**B = BULK**  
**C = CARDED**  
**P = POLY BAG**



ITEM NO.	PACK	DESCRIPTION	CTN. QTY.
04-1762	B	Deluxe tank lever (Brass arm with zinc spud) ( Sold By Carton Only)	24
04-1763	C	Same as above carded	6
04-1764P	P	Economy tank lever (Packaged 24 per carton) (Brass plated arm with plastic spud)	24
04-1765	C	Same as above carded	6
04-1771	C	Antique Bronze tank lever	6
04-1773	C	Polished Brass tank lever	6
04-1785	C	Satin Nickel tank lever	6
04-1787	C	Oil Rub Bronze tank lever	6
04-1757	C	Side Mount Push Button tank lever	6
04-1759	C	Front Mount Push Button tank lever	6
04-1781	C	Tank lever with flapper set	6
04-1801	C	Single Action heavy duty tank lever	6
04-1851	C	Chrome Fit Most tank lever (Trim and notched to fit most tanks)	6
04-1753	C	Same as above (White)	6
04-1853	C	Same as above (Polished Brass)	6
04-1743	C	White - Fit Most • Brass Flat Arm Plastic Handle • Bend & Trim to Fit-Most	6
04-1745	C	Same as above (Chrome Plated)	6
04-1751	C	"Right Hand" Tank Lever (White)	6
04-1740	C	Jumbo Handle • For People with Arthritis	24

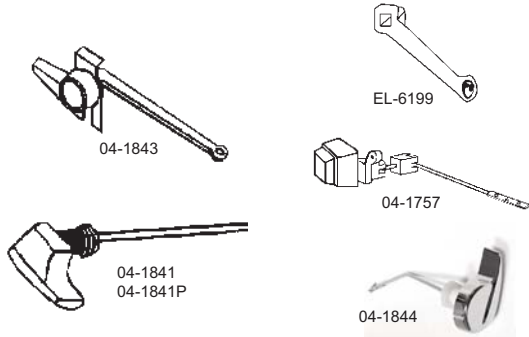
**OEM STYLE TANK LEVERS**

**AMERICAN STANDARD**



04-1767	C	4" Brass arm #33459	6
AS47048-02	B	6" Brass arm #47048	1
04-1769	C	4" Plastic arm #33459 (also fits Eljer)	6
04-1815	C	Same as above White	6
AS47148-02	B	6" Straight plastic arm #47148 (Genuine)	1
04-1825	C	Same as above carded "Replacement"	6
AS47191-02	B	6" 22° Plastic arm #47191 (Genuine)	1
04-1821	C	Same as above carded "Replacement"	6
04-1819	C	Same as above White	6
AS47242-02	B	6" 45° Plastic arm #47242 (Genuine)	1
04-1823	C	Same as above carded "Replacement"	6
04-1817	C	Same as above White	6
04-1783	C	10" Flat arm offset (Deep spud tank lever)	6
AS47108-02	B	Push Button 45° #47108	1

**ELJER**



04-1843	C	Touch flush lever #6206	6
EL-6199	B	Touch flush lever arm only	1
04-1841	C	Side mount arm #2704	6
04-1841P	C	Same as above (Polished Brass)	6
04-1757	C	Push Button side mount	6
04-1844	B	Titan Tank lever #2777	1





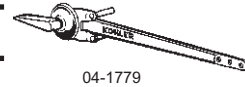
OEM STYLE TANK LEVERS  
CONTINUED

B = BULK  
C = CARDED

ITEM NO.	PACK	DESCRIPTION	CTN. QTY.
----------	------	-------------	-----------

**KOHLER**

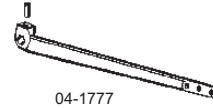
04-1779	C	K-9400 Brass arm	6
04-1775	C	Brass arm only	6
04-1777	C	Plastic arm only	6
04-1803	C	K-9404 Tank lever	6
04-1803P	C	Same as above (Polished Brass)	6



04-1779



04-1775



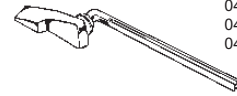
04-1777



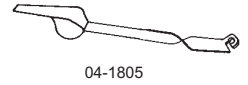
04-1803  
04-1803P

**MANSFIELD**

04-1761	C	9" Blue tank lever. Bent arm	6
04-1806	C	9" White tank lever. New Straight	10
04-1808	C	7" White tank lever. New Straight	10
04-1739	C	10" Brass arm tank lever	6



04-1761  
04-1806  
04-1808



04-1805



04-1739

**UNIVERSAL RUNDLE**

04-1805	C	Twisted style arm	6
URA-331	C	#331 Tank lever	1



URA-331



04-2146

**TOTO**

04-2146	B	Push button lever	1
04-2148	B	THU004 Straight Trip Lever	1
04-2149	C	Same as above Carded	6
04-1900	B	Plastic tank lever nut	100
04-1902	B	Zinc tank lever nut	100



04-2148  
04-2149



04-1900



04-1902



04-2180

**FOOT FLUSH**

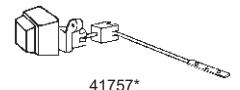
04-2180	C	RC1 Foot Flush • Hands Free Toilet Flusher Complete Installation Kit	6
---------	---	--	---



41789*	C	Deluxe tank lever	1
41757*	C	Side mount tank lever	1
41766*	B	American Standard tank lever	1
41767*	C	Same as above carded	1
41791*	C	Porcelain tank lever	1
41803*	C	Kohler tank lever	1
41841*	C	Eljer tank lever	1



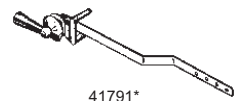
41789\*



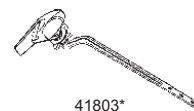
41757\*



41766\*  
41767\*



41791\*



41803\*



41841\*

\* ADD LETTER TO SPECIFY FINISH

A=Antique Bronze C=Chrome P=Polished Brass W=White



## FLUSH VALVES

**B = BULK**  
**C = CARDED**  
**P = POLY BAG**

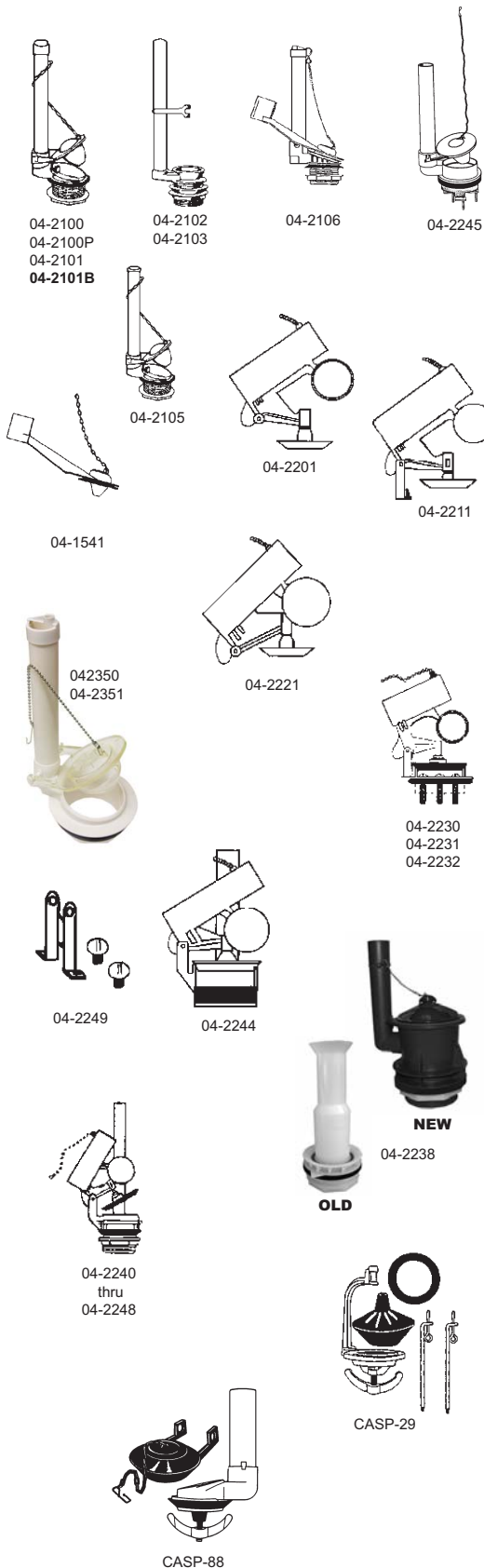
ITEM NO.	PACK	DESCRIPTION	CTN. QTY.
04-2100	B	Plastic flush valve	100
04-2100P	P	Same as above poly bag	24
04-2101	C	Same as above carded	6
04-2101B	B	Magnus plastic flush valve (Full case only)	24
04-2102	B	Brass douglas flush valve	25
04-2103	C	Same as above carded	6
04-2106	B	Plastic valve with counter balance arm	25
04-1541	C	Counter balance arm only	6
04-2105	C	Adjustable Flush Valve	6
04-2245	C	Replacement Flush Valve • For 1 piece Toilets Fits most American Standard, Kohler, Eljer, ect.	6
04-2350	B	3 inch Flush Valve • For 2 piece Toilets	6
04-2351	C	Same as above carded	6
04-2353	C	3 inch Flush Valve • For 1 piece Toilets	6

### AMERICAN STANDARD

04-2201	C	#6 Tilt valve (High Profile)	6
04-2211	C	#4 Tilt valve with leg	6
04-2249	C	Leg support kit for old style #4 valve	6
04-2221	C	#5 Tilt valve (Low Profile)	6
04-2230	B	#4 O/S flush valve with bronze seat 47086	1
04-2231	C	#4 N/S flush valve with plastic seat 47107	1
04-2232	B	#4 N/S flush valve with plastic seat 47107	1
04-2240	B	#5 Flush valve with 7" overflow pipe 47002	1
04-2242	B	#5 Flush valve with 9" overflow pipe 47089	1
04-2243	C	Same as above carded	6
04-2248	B	#5 Flush valve with 12" overflow pipe 47088 ( Above Is Replacement For N-3055)	1
04-2244	B	#6 Flush valve 3159 and 47049	1
04-2238	B	"Champion" flush valve 3174.002, Replaces 3179.002 old style. For 1 piece Toilets	1

### BRIGGS / CASE

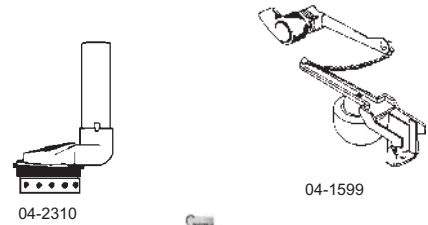
CASP-29	B	#41 and #50 Flush valve	1
CASP-88	B	#62 Flush valve	1



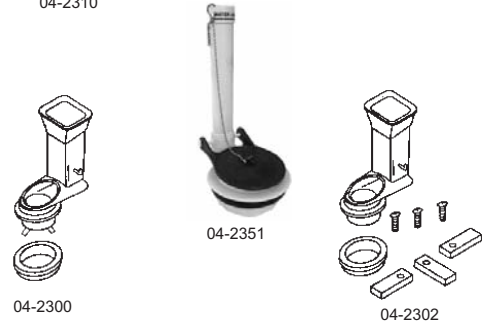
**FLUSH VALVES CONTINUED  
AND FLUSH VALVE PARTS**

**B = BULK  
C = CARDED  
P = POLY BAG**

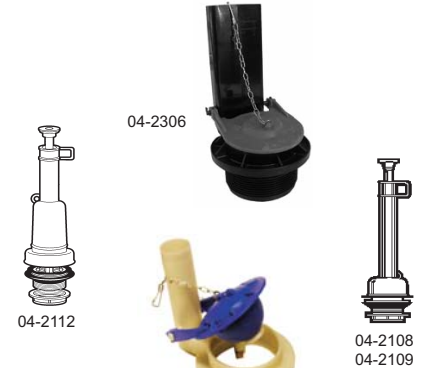
ITEM NO.	PACK	DESCRIPTION	CTN. QTY.
<b>ELJER</b>			
04-1599	C	6511 Touch flush assembly	6
04-2310	B	New style flush valve 5517	1
04-2351	B	Titan "Big Mouth" flush valve 5400 • 2 pc toilets	1
04-2314	B	Titan "Big Mouth" flush valve 5420 • 1 pc toilets	1



<b>KOHLER</b>			
04-2300	B	Square flush valve 83095	1
04-2302	B	Square flush valve with metal lugs 83650	1
04-2304	B	Side inlet flush valve 84996	1
04-2306	B	"Class Five" flush valve 1024385	1



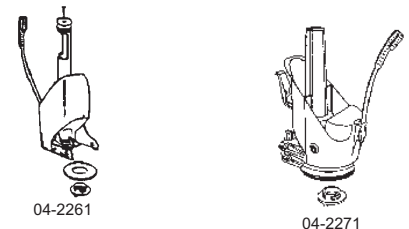
<b>MANSFIELD</b>			
04-2108	B	Flush valve #210	1
04-2109	C	Same as above carded	6
04-2112	B	ULF Flush valve #211	1



<b>TOTO</b>			
04-2140	B	Flush valve TA015 • For 2 pc toilet	1
04-2152	B	Flush Valve • THU0012 • For 1 pc toilet	1



<b>UNIVERSAL RUNDLE</b>			
04-2261	C	For 1 Piece toilets	6
04-2271	C	For 2 Piece toilets	6
URA-243	B	Seat and Pinion #258	1
URA-244	B	Plastic valve seat #268	1



B = BULK  
C = CARDED  
P = POLY BAG

FLUSH VALVES CONTINUED  
AND FLUSH VALVE PARTS

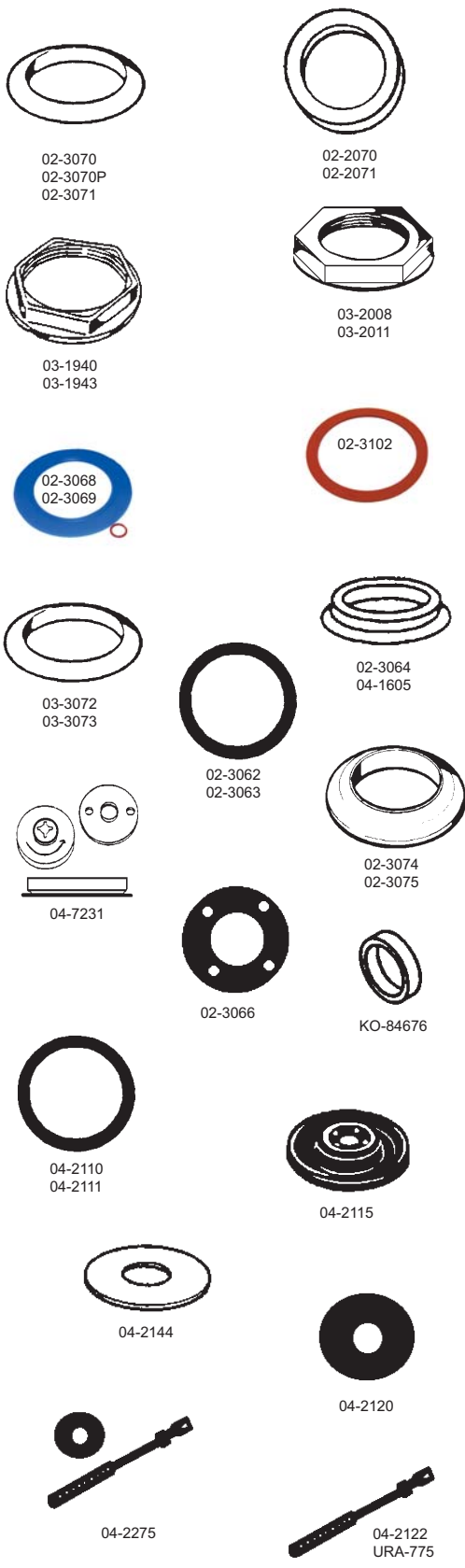
ITEM NO.	PACK	DESCRIPTION	CTN. QTY.
----------	------	-------------	-----------

FLUSH VALVE WASHERS

02-3070	B	Beveled washer 2-1/4 x 3-1/8 W-206	12
02-3070P	P	Same as above poly bag	12
02-3071	C	Same as above carded	6
02-2070	B	2" Nylon jam washer	12
02-2071	C	Same as above carded	6
03-1940	B	2" Die cast jam nut	12
03-1943	C	2" Die cast jam nut and washer set	6
03-2008	B	2" Plastic jam nut	12
03-2011	C	2" Plastic jam nut and washer set	6

OEM FLUSH VALVE WASHERS

02-3102	B	Amer Std 2-13/16 x 4-1/4 Champion <b>NEW</b>	12
02-3068	B	Amer Std 2-5/8 x 3-1/4 Champion <b>OLD</b>	12
02-3069	C	Same as above carded	6
02-3072	B	Amer Std 2-5/16 x 3-5/32 W-205 #1039-07	12
02-3073	C	Same as above carded	6
02-3062	B	Amer Std #4 flush valve washer #715-27	12
02-3063	C	Same as above carded	6
02-3064	B	Amer Std N3055 washer #73069	12
04-1605	C	Same as above carded	6
04-7231	C	Same as above carded with grommet & stop	6
02-2130	B	Eljer Flapper Seal	12
02-2131	B	Same as above carded	6
02-3074	B	Kohler 3-3/4 x 2-3/16 x 3/4 #83888	12
02-3075	C	Same as above carded	6
KO-84676	B	Kohler side inlet gasket	12
04-2110	B	Mansfield seal for #210 valve	12
04-2111	C	Same as above carded	6
04-2115	C	Mansfield seal for #208 and #209 valve	6
04-2144	B	Toto Flush Valve Seal	12
04-2145	B	Same as above carded	6
04-2120	B	Universal Rundle seal	12
04-2275	C	Same as above carded lift strap & seal set	6
04-2122	B	Universal Rundle lift strap URA-250	12
URA-775	B	Universal Rundle short lift strap	12



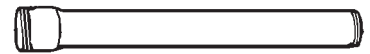
**FLUSH VALVE PARTS  
CONTINUED**

**B = BULK  
C = CARDED  
P = POLY BAG**

ITEM NO.	PACK	DESCRIPTION	CTN. QTY.
<b>OVERFLOW TUBE</b>			
04-3410	B	1" Plastic	100
04-3411	C	Same as above carded	6
04-3420	B	1" Brass	100
04-3421	C	Same as above carded	6
04-3400	B	1 x 1-1/8 Inch Brass	100
04-3401	C	Same as above carded	6
04-3402	B	1-1/4" Brass	100



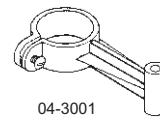
04-3402  
thru  
04-3421



04-3400  
04-3401

**GUIDES**

04-3001	C	Plastic	6
04-3007	C	Brass	6
04-3009	C	Split brass	6
04-3010	B	Adjustable brass	25
04-3011	C	Same as above carded	6
04-3013	C	Eljer brass	6
04-3019	C	Kohler #30178	6



04-3001



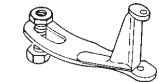
04-3007



04-3009



04-3010  
04-3011



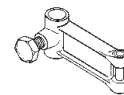
04-3013

**TANK TO BOWL GASKETS**

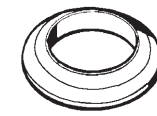
02-3120	B	W-208 Regular sponge rubber	12
02-3120P	P	Same as above poly bag	12
02-3121	C	Same as above carded	6
02-3122	B	W-208A Heavy pattern sponge rubber	12
02-3122P	P	Same as above poly bag	12
02-3123	C	Same as above carded	6



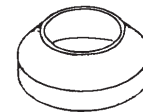
04-3009



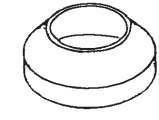
04-3019



02-3120  
thru  
02-3123



02-3132  
thru  
02-3133



02-3124  
thru  
02-3128P

**OEM STYLE TANK TO BOWL GASKETS**

02-3132	B	W-210 Amer Std with recess	12
02-3132P	P	Same as above • Poly bag	12
02-3133	C	Same as above • Carded	6
02-3124	B	W-208C Crane 3-3/8 x 2-3/16 x 1-1/8	12
02-3124P	P	Same as above • Poly bag	12
02-3126	B	W-208G Gerber 3-1/4 x 2-1/8 x 1-3/16	12
02-3126P	P	Same as above • Poly bag	12
02-3128	B	W-208S Amer Std 3-1/16 x 2-1/4 x 1/2	12
02-3128P	P	Same as above • Poly bag	12
02-3130	B	W-209 Kohler 4-3/16 x 2-3/8 x 3/4	12
02-3110	B	#51531 Kohler 3-3/4 x 2-3/8 x 3/4	12
KO-118165-A0	B	Kohler Large Class 5 • 5-5/16 x 3-11/16 x2-1/32	1
02-3136	B	#4333 Eljer 3-3/16 x 2-1/4 x 1/2	12
02-3136P	P	Same as above • Poly bag	12
02-3138	B	#33541 Amer Std U-Gasket	1
AS738756-0070	B	American Std. Champ w/Bolts • 4-1/2 x 3-1/4 x 1-5/32	1
02-3138P	C	Same as above • Carded	1
02-3140	B	#5702 Eljer Round with ears	1
02-3140P	P	Same as above • Poly bag	1
02-3142	B	#51487 Kohler triangle gasket	1
02-3142P	P	Same as above • Poly bag	1
02-2152	B	Toto Large Tank-to-Bowl Gasket THU131	1



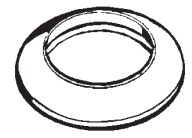
02-3130  
02-3110



02-3136  
02-3136P



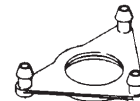
AS738756-0070



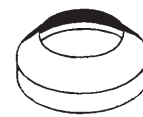
KO-118165-A



02-3138  
02-3138P



02-3142  
02-3142P



02-2152



02-3140  
02-3140P



**B = BULK**  
**C = CARDED**  
**P = POLY BAG**

**CLOSET & URINAL  
 SPUDS & WASHERS**

ITEM NO.	PACK	DESCRIPTION	CTN. QTY.
----------	------	-------------	-----------

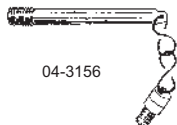
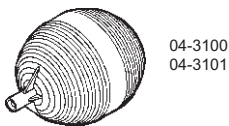
**SPUDS**

04-1910	B	2 x 2 Brass spud	1
04-1912	B	2 x 1-1/2 Brass spud	1
04-1914	B	2 x 1-1/4 Brass spud	1
04-1916	B	1-1/2 x 1-1/2 Brass spud	1
04-1918	B	1-1/4 x 1-1/4 Brass spud	1
04-1920	B	1 x 3/4 Brass Urinal spud	1



**SPUD WASHERS**

02-3050	B	W-316 1" Flanged	12
02-3051	C	Same as above carded	6
02-3052	B	W-320 1-1/4" Flanged	12
02-3052P	P	Same as above poly bag	12
02-3053	C	Same as above carded	6
02-3054	B	W-321 1-1/2" Flanged	12
02-3054P	P	Same as above poly bag	12
02-3055	C	Same as above carded	6
02-3056	B	W-322 Flanged	12
02-3056P	P	Same as above poly bag	12
02-3057	C	Same as above carded	6
02-3058	B	W-324 2" x 1/1/4" Flanged	12
02-3059	C	Same as above carded	6
02-3060	B	W-325 2" x 1-1/2" Flange	12
02-3060P	P	Same as above carded	12
02-3061	C	Same as above carded	6



**FLOATS**

04-3100	B	Plastic	100
04-3101	C	Same as above carded	6
04-3130	B	2 x 3 Copper (Sold by box only) 12 in a box	12
04-3130E	B	2 x 3 Copper (Sold by each)	1
04-3120	B	4" Seamless copper	1
04-3122	B	5" Seamless copper	1
04-3124	B	6" Seamless copper	1

**FLOAT RODS**

04-3500	B	5-1/2" Brass	12
04-3502	B	8" Brass	12
04-3503	C	Same as above carded	6
04-3504	B	9" Brass	12
04-3505	C	Same as above carded	6
04-3506	B	10" Brass	12
04-3507	C	Same as above carded	6
04-3508	B	12" Brass	12
04-3509	C	Same as above carded	6
04-3511	C	8" Coast plastic arm	6
04-3513	C	4-1/2" Coast short plastic arm	6
04-3515	C	5-3/4" Coast Medium plastic arm	6
04-7093	C	Copper refill tube	6
04-3156	B	Live stock brass float rod	1



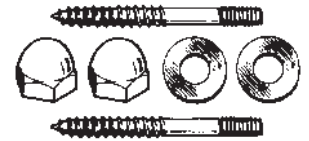
**TOILET BOLTS AND SCREWS**

**B = BULK  
C = CARDED  
P = POLY BAG**

ITEM NO.	PACK	DESCRIPTION	CTN. QTY.
<b>TOILET SCREWS</b>			
04-3600-1	B	1/4 x 2-1/2" Brass screw only	12
04-3601	C	Same as above carded (1pair with nut & washer)	6
04-3602-1	B	1/4 x 3-1/2" Brass screw only	12
04-3603	C	Same as above carded (1pair with nut & washer)	6
04-3610-1	B	1/4 x 2-1/2" Brass plated screw only	12
04-3610-1P	P	Same as above (1piece per poly bag)	12
04-3611	C	Same as above carded (1pair with nut & washer)	6
04-3612-1	B	1/4 x 3-1/2" Brass plated screw only	12
04-3613	C	Same as above carded (1pair with nut & washer)	6
<b>TOILET BOLTS</b>			
04-3630-1	B	1/4 x 2-1/4" Brass bolt only	12
04-3630P	P	1 Pair bolt with speed nut, steel washer & nut	144
04-3631	C	Same as above carded	6
04-3632-1	B	1/4 x 3-1/2" Brass bolt only	12
04-3633	C	1 Pair bolt with speed nut, steel washer & nut	6
04-3634-1	B	1/4 x 2-1/2" Portland bolt only	12
04-3634-1P	P	Same as above (Poly Bag)	12
04-3635	C	Same as above carded (1 Pair w/nut & washer)	6
04-3637	C	Code brass closet bolt set (1 pair 1/4 x 2-1/4" brass bolts with stainless steel washers, 1/4" acorn nuts and brass hex nuts)	6
04-3639	C	Brass closet bolt set with round bolt caps	6
04-3644-1	B	5/16 x 2-1/4" Brass bolt only	12
04-3645	C	5/16 x 2-1/4" Heavy duty brass bolt set (Carded)	6
04-3640-1	B	1/4 x 2-1/4" Brass plated bolt only	12
04-3641	C	Same as above carded (1 pair w/nut & washer)	6
04-3642-1	B	1/4 x 3-1/4" Brass plated bolt only	12
04-3643	C	Same as above carded (1 pair w/nut & washer)	6
04-3651	C	Brass closet bolts & screws (Combo Pack)	6
04-3653	C	Brass plated closet bolts & screws (Combo Pack)	6
04-3647	C	1/4 x 2-1/4 Brass E-Z Snap Bolt Set	6
04-3649	C	5/16 x 2-1/4 Brass E-Z Snap Bolt Set	6



04-3601  
04-3603  
04-3610-1P  
04-3611  
04-3613



04-3644-1  
04-3640-1  
04-3642-1



04-3630-1  
04-3632-1

04-3630P  
04-3631  
04-3633



04-3645  
04-3641  
04-3643

04-3632-1  
04-3633



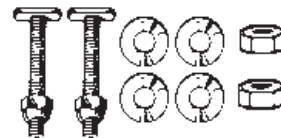
04-3639



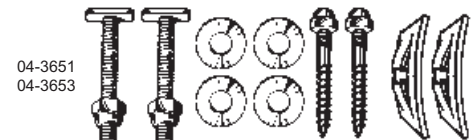
04-3634-1  
04-3634-1P



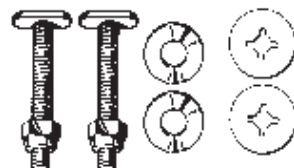
04-3635



04-3637



04-3651  
04-3653



04-3647  
04-3649

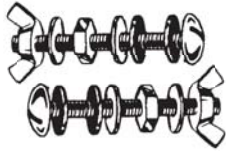


TANK TO BOWL BOLTS

B = BULK  
C = CARDED  
P = POLY BAG



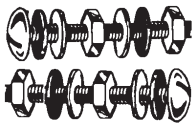
04-3670-1  
04-3674-1  
04-3676-1



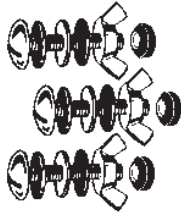
04-3671  
04-3675



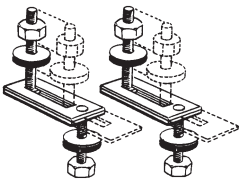
04-3673



04-3675



04-3677



04-3811



04-3679



04-3818  
04-3822  
04-3822-1  
04-3826-1



04-3824  
04-3824-1  
04-3824P  
04-3825



04-3826  
04-3826P  
04-3826-1  
04-3830  
04-3836



04-3820



04-3832  
04-3832P  
04-3834



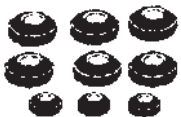
04-3838  
04-3842  
04-3842P



04-3840



04-3844



04-3850

ITEM NO.	PACK	DESCRIPTION	CTN. QTY.
<b>TANK TO BOWL BOLTS &amp; SETS</b>			
04-3670-1	B	5/16 x 3" Brass CC bolt only	12
04-3671	C	Same as above carded (1 pair w/nuts & washers)	6
04-3670P	P	Same as above carded (Poly bag)	6
04-3673	C	Same as above carded 3 pc w/nuts & washers (For Norris and Mansfield)	6
04-3674-1	B	3/8 x 3-1/8" Brass heavy duty CC bolt only	12
04-3675	C	Same as above carded (1 pair bolt set)	6
04-3676-1	B	5/16 x 2-1/8" Brass CC bolt only	12
04-3677	C	Kohler 3 pc CC bolt set w/double bev washers	6
04-3811	C	Adjustable tank to bowl bolts	6
04-3679	C	Amer Std screw, lug, grommet set for	6

BOLT PARTS

04-3820	B	5/16 Steel wing nut	12
04-3822	B	5/16 Steel hex nut	12
04-3822-1	B	1/4 Brass hex nut	12
04-3828	B	5/16 Brass hex nut	12
04-3818	B	3/8 Brass hex nut	12
04-3824	B	5/16 Rubber washer	12
04-3824P	P	Same as above (2 in poly bag)	12
04-3825	C	Same as above (4 pc on card)	6
04-3824-1	B	3/8 Rubber washer	12
04-3826	B	5/16 Steel washer	12
04-3826P	P	Same as above (1 in poly bag)	12
04-3826-1	B	3/8 Brass washer	12
04-3830	B	Round stainless steel washer	12
04-3832	B	Oval steel washer	12
04-3832P	P	Same as above (1 in poly bag)	12
04-3834	B	Oval Stainless steel washer	12
04-3836	B	Round brass CC bolt washer	12
04-3838	B	5/16 Open end nut	12
04-3840	B	1/4" Closed end nut	12
04-3842	B	1/4" Open end nut	12
04-3842P	P	Same as above (1 in poly bag)	12
04-3844	B	1/4" Speed nut	12
04-3850	P	Kohler double bev washers (9 pc set poly bag)	12

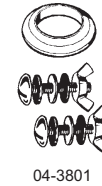




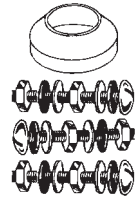
TANK TO BOWL BOLTS  
CONTINUED

B = BULK  
C = CARDED  
P = POLY BAG

ITEM NO.	PACK	DESCRIPTION	CTN. QTY.
<b>TANK TO BOWL BOLTS SETS WITH GASKET</b>			
04-3801	C	CC Bolt set with W-208 gasket	6
04-3805	C	CC Bolt set with W-210 recessed gasket	6
04-3807	C	CC Bolt set with W-210 recessed gasket with all brass nuts and washers	6
04-3806P	C	Same as above • Poly bag	12
04-3791	C	Kohler Tri-Angle gasket with 3 brass bolts and nuts • 3 Rubber washers	6
04-3809	C	Norris / Mansfield 3 Bolt set with W-210 gasket	6
04-3813	C	Kohler 3 Bolt set with double beveled washers and W-209 gasket	6
04-3815	C	Eljer CC Bolt set with gasket	6
04-3817	C	Eljer Tank to Bowl set with ears • Brass nuts and washers	6
04-3803	C	Gerber CC Bolt set • Brass nuts and washer with gasket	6



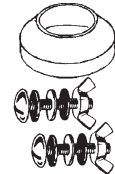
04-3801



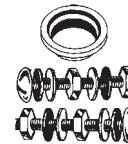
04-3805



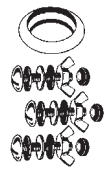
04-3807  
04-3806P  
04-3803



04-3809



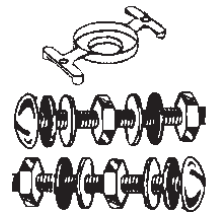
04-3813



04-3815



04-3817



04-3803

ITEM NO.	PACK	DESCRIPTION	CTN. QTY.
----------	------	-------------	-----------

AS738756-0070A	C	American Standard • Champion Tank to Bowl Kit	1
----------------	---	---	---

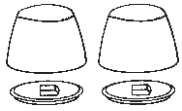


AS738756-0070A



**B = BULK**  
**C = CARDED**  
**P = POLY BAG**

**TANK TO BOWL BOLTS**



04-3910  
 04-3911  
 04-3915



04-3912  
 04-3913

ITEM NO.	PACK	DESCRIPTION	CTN. QTY.
04-3910	B	Round white plastic	12
04-3911	C	Same as above carded	6
04-3912	B	Oval white plastic	12
04-3913	C	Same as above carded	6
04-3915	C	Round bone plastic	6



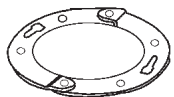
04-3900



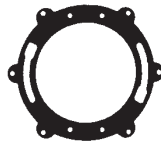
04-3949



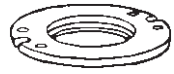
33-3700  
 33-3701



33-3736



33-3738



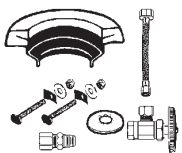
33-3740

**TOILET SETTING REPAIR**

04-3900	B	Toilet repair base plate	6
04-3949	C	Toilet shim set	6
33-3700	B	Spanner flange	20
33-3701	C	Same as above carded	6
33-3736	B	Closet split ring replacement flange	12
33-3738	B	Pasco Quick Ring	12
33-3740	B	Stack & Seal Plate: Stack & caulk as many as you need together to correct height problems.	1
33-3742	B	Extend - O - Collar: Goopy ring mounts to bottom of toilet. Reconciles floor heights to toilet base	6

**TOILET INSTALLATION KIT**

04-4062P	P	Toilet installation kit (Sold by carton only)	24
----------	---	---	----



04-4062P



33-3742



TOILET PARTS

B = BULK  
C = CARDED

ITEM NO.	PACK	DESCRIPTION	CTN. QTY.
<b>BOWL WAX</b>			
04-3300	B	Straight flange only 4"	24
04-3302	B	#3 Urethane core 3" or 4"	24
04-3314	B	Extra thick Urethane core with bolts	12
04-3304	B	#10 Extra thick 3" or 4"	24
04-3306	B	#1 Wax with brass bolts 3" or 4"	24
04-3310	B	#1 Wax with taper flange 3" or 4"	24
04-3320	B	Bowl wax ring only	48
04-3322	B	Extra thick ring only (Urethane Insert)	24
04-3324	B	#6 2" Urinal wax	24



04-3300



04-3302  
thru  
04-3310



04-3320  
thru  
04-3324



04-3330  
04-3330  
04-3334

**BOWL WAX CUSHIONS**

04-3326	B	G-16 5-3/8" x 3-1/2" x 3/4" Round	12
04-3328	B	G-15W 6-3/4" x 3-1/2" x 9/16" Flat	12
04-3330	B	G-16W 6-3/4" x 3-1/2" x 3/4" Flat	12
04-3332	B	G-17 5-3/8" x 3-1/2" x 1" Round	12
04-3334	B	G-18 4-3/8" x 2-7/8" x 1/2" Urinal	12
04-3340	B	Wax Free Toilet Seal	20



04-3326  
04-3332



04-3340

**CLOSET RINGS**

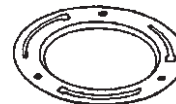
33-3605	B	4 x 2 Instant set closet ring	1
33-3615	B	4 x 4 Instant set closet ring	1
33-3705	B	4 x 2 Closet ring	1
33-3715	B	4 x 4 Closet ring	1
33-3725	B	4 x 6 Closet ring	1
33-3730	B	4" Brass lead connection ring	1
33-3732	B	4" Brass lead deep ring	1
33-3750	B	4 x 2 Quick & Easy rubber grommet seal	1
33-3752	B	4 x 4 Quick & Easy rubber grommet seal	1
33-3805	B	4 x 2 Offset closet ring	1
33-3815	B	4 x 4 Offset closet ring	1
33-3746	B	4" Push & Shuv closet flange fits inside 4" PVC, ABS, and C.I. pipe	1
33-3748	B	4" Compression street closet flange	1



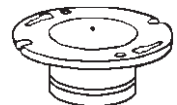
33-3605  
33-3615



33-3705  
33-3715  
33-3725



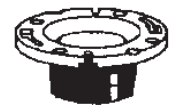
33-3730  
33-3732



33-3750  
33-3752



33-3805  
33-3815



33-3746

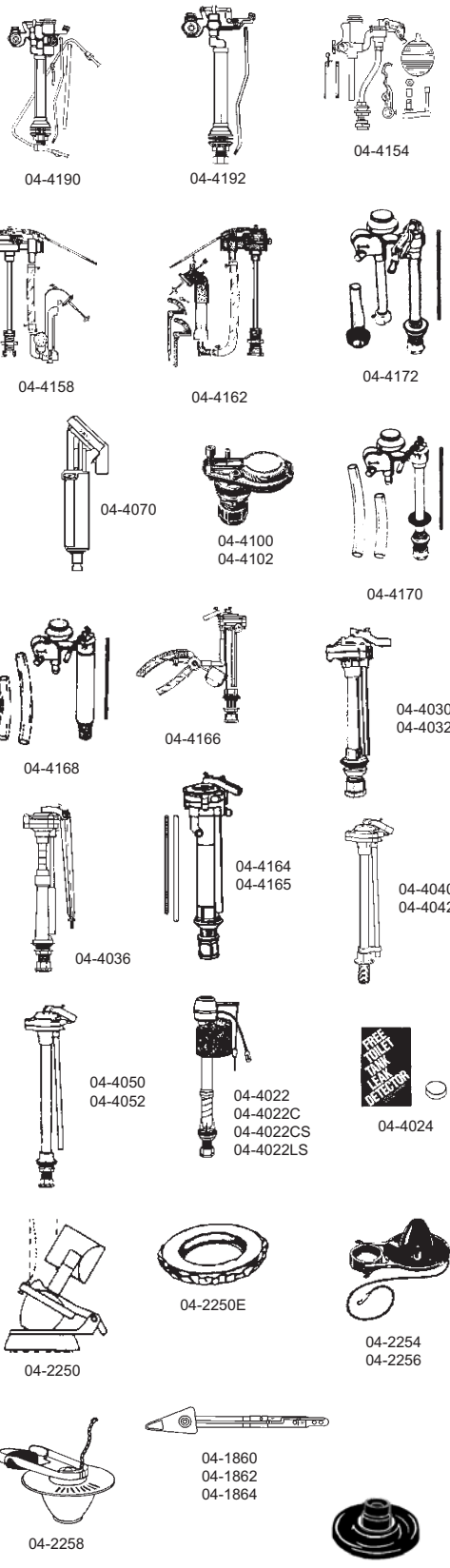


33-3748



**B = BULK  
C = CARDED  
P = POLY BAG**

**BALLCOCKS**



ITEM NO.	PACK	DESCRIPTION	ITEM NO.	PACK	CTN. QTY.
<b>AMERICAN STANDARD</b>					
04-4190	B	Vent - A - Way	47135-07		1
04-4192	B	Less Vent -A - Way	47136-07		1
<b>BRIGGS / CASE</b>					
04-4154	B	Case #50			1
04-4158	B	Case 62-8 Old style	5164		1
04-4162	B	Case 62-66	5163		1
04-4172	B	Briggs	T79.B		1
<b>DELTA / FILL-PRO</b>					
04-4070	B	Delta	RPF95A		1
04-4100	B	Discontinue Use	04-4104		1
04-4102	B	Discontinue Use	04-4104		1
<b>ELJER</b>					
04-4170	B	Silette with china shroud	T79.E		1
04-4168	B	Silette Post 1979	T77.E		1
04-4166	B	1B1X Style with diverte	495-0260		1
04-4166-1	B	Diverter for above	495-0184		1
<b>COAST FOUNDRY</b>					
04-4030	B	10" Plastic anti-syphon	1B1		20
04-4032	B	12" Plastic anti-syphon	1B1		20
04-4036	B	9" to 13" Plastic anti-syphon (Adjustable)			20
04-4164	B	1B1-X Fits many 1 piece toilets: Amer. Std., Briggs, Crane, Eljer, Kohler, Norris and U.R.			20
04-4165	C	Same as above carded			6
04-4040	B	10" Half brass half plastic anti-syphon	1B		20
04-4042	B	12" Half brass half plastic anti-syphon	1B		20
04-4050	B	10" All brass anti-syphon	1B		20
04-4052	B	12" All brass anti-syphon	1B		20
<b>FLUIDMASTER PRODUCTS</b>					
04-4022	B	A/S Ballcock	#400A		25
04-4022C	B	A/S Ballcock with flapper carded	#400C		10
04-4022CS	B	A/S Ballcock with flapper & tank lever	#400CS		20
04-4022LS	B	A/S Ballcock (Prevents refill of leaky tanks)	#400LS		25
04-4024	B	Leak detector			12
04-2250	C	Flusher Fixer kit	#555C		20
04-2250E	C	Epoxy ring only			20
04-2254	C	Bulls Eye flapper	#500		20
04-2256	C	Bulls Eye super flapper	#501		20
04-2258	C	Bulls Eye adjustable flapper	#502		20
04-1860	C	White tank lever	#680		10
04-1862	C	Chrome tank lever	#681		10
04-1864	C	Polished brass tank lever	#682		10
04-1890	C	Replacement Seal	#242		25



**BALLCOCKS  
CONTINUED**

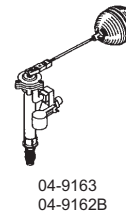
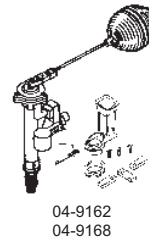
**B = BULK  
C = CARDED**

ITEM NO.	PACK	DESCRIPTION	CTN. QTY.
<b>KORKY</b>			
04-4076	B	Ballcock #528C	12
04-4078	B	Ballcock with flapper #818C	12
04-4086	B	Ballcock repair kit #818C	10
04-4088	B	For Toto #528T	5



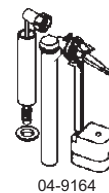
**KOHLER • Reto-Fit Kits**

04-9162	B	84499 Kit • Ballcock & Flush Valve Flush valve has brass lugs for round hole tanks • Includes gaskets to convert to the new triangle hole tanks manufactured after 1993	1
04-9168	B	Same as above • Genuine Flush Valve 1 • With replacement ballcock	1
04-9170	B	Replacement Ballcock with new style flush valve • With molded in grommets for triangle hole tanks manufactured after 1993	1
04-9163	C	Replacement ballcock only with diverter	6
04-9162B	B	Same as above • Boxed	12



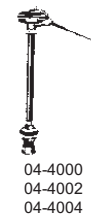
**KOHLER • OTHER BALLCOCKS**

04-9160	B	30668 For Pompton K-9242	1
04-9164	B	1007488 For Rialto old #84679	1
04-9166	B	75422 Fluidmaster • Long Shank	1



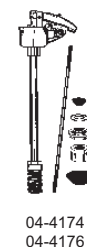
**MANSFIELD**

04-4000	B	10" 07 Ballcock	20
04-4002	B	11-1/2" 07 Ballcock	20
04-4004	B	12-1/2" 07 Ballcock	20
04-4010	B	Regular 09 Ballcock	20



**UNIVERSAL RUNDLE**

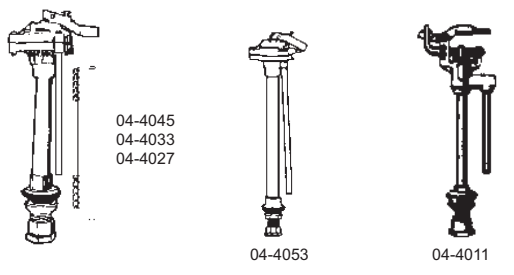
04-4174	B	12-1/2" 190 Ballcock	1
04-4176	B	12" 191 Ballcock	1
04-4178	B	Diverter P-197	1



**BALLCOCKS  
CONTINUED**

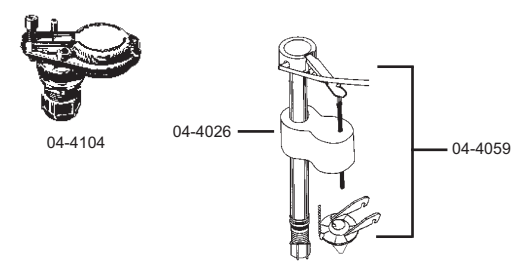
**B = BULK  
C = CARDED  
P = POLY BAG**

ITEM NO.	PACK	DESCRIPTION	CTN. QTY.
----------	------	-------------	-----------



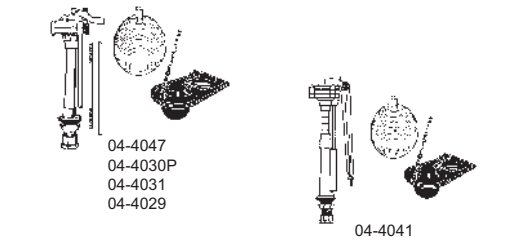
**MAGNUS/LASCO BALLCOCKS**

04-4045	C	8-1/2" Anti-syphon Ballcock • Hoover Style	6
04-4033	C	10" Anti-syphon Ballcock • Snap On Cap	6
04-4027	C	12" Anti-syphon Ballcock • Snap On Cap	6
04-4039	C	9" to 13" Adjustable Ballcock • 3 Screw	6
04-4053	C	12" Brass anti-syphon Ballcock	6
04-4011	C	Solid Brass Ballcock	6
04-4104	C	Mini Pilot Valve	6
04-4026	B	Adjustable Fill Valve In Box	24



**MAGNUS/LASCO BALLCOCKS KITS**

04-4047	C	8-1/2" Ballcock with flapper and float	6
04-4030P	P	10" Ballcock with flapper and float	12
04-4031	C	Same as above carded	6
04-4029	C	12" Ballcock with flapper and float	6



**MAGNUS/LASCO BALLCOCK KITS**

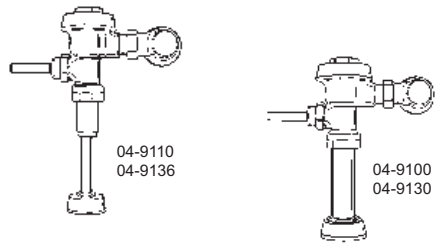
04-4041	C	9" to 13" Adjustable with flapper and float	4
04-4059	C	Adjustable Fill Valve • 8" to 13" with Lifetime Flapper	4
04-7301	C	Plunger & Seal for 3 Screw Ballcocks 04-4039 • 04-4041 • 04-9163	6
04-7305	C	Top Assembly for 3 Screw Ballcocks	6
04-7303	C	Plunger & Seal for Snap-On Ballcocks 04-4031 • 04-4033 • 04-4031 • 04-4029	6
04-7307	C	Top Assembly for Snap-On Ballcocks	6
04-7309	C	Repair Kit for Valve 04-4026 • 04-4059	6
04-7311	C	Repair Kit for Valve 04-9163 Kohler Retrofit	6



**FLUSH VALVES**

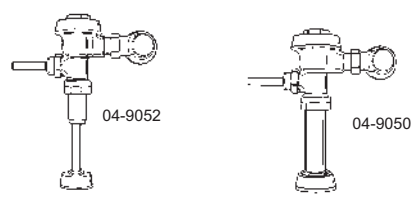
**SLOAN**

04-9100	B	1-1/2" Closet #110	1
04-9110	B	3/4" Urinal #186-11	1
04-9130	B	1-1/4" Flush #180	1
04-9136	B	Uppercut Closet • Dual Flush Down • 1.6 GPF • Up 1.0 GPF	1



**ZURN**

04-9050	B	Closet Flush	1
04-9052	B	Urinal Flush	1



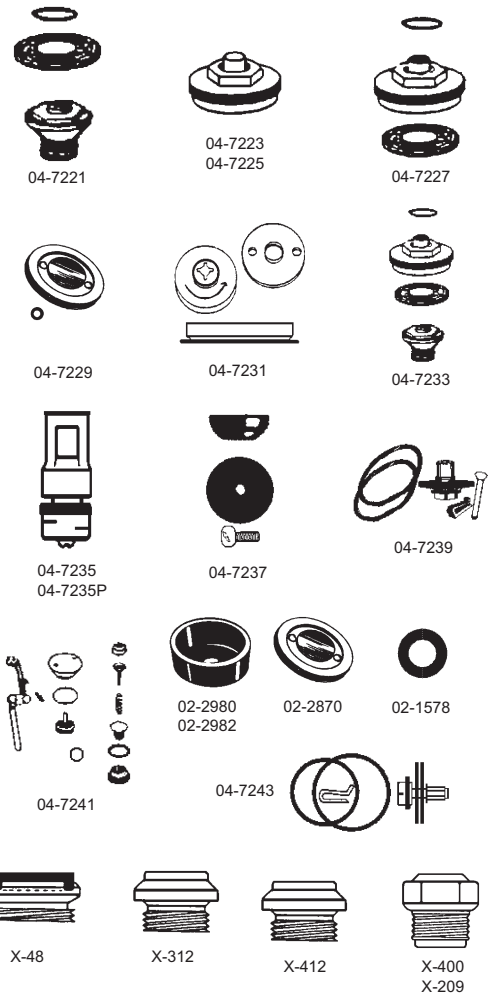
BALLCOCK REPAIR KITS

B = BULK  
C = CARDED

ITEM NO.	PACK	DESCRIPTION	CTN. QTY.
----------	------	-------------	-----------

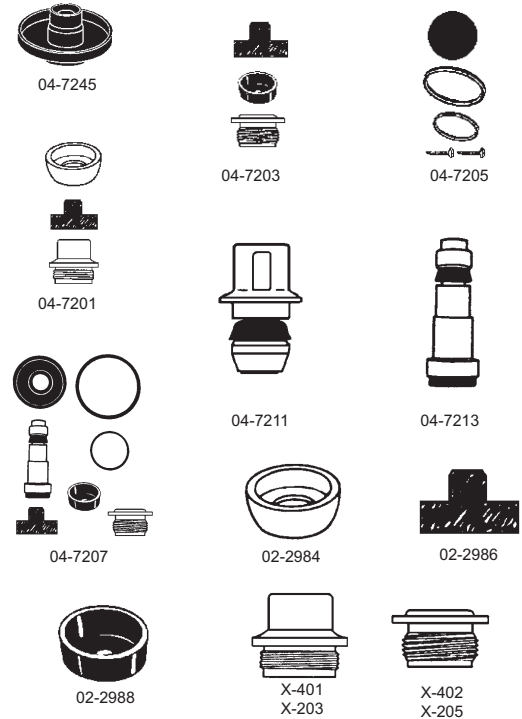
AMERICAN STANDARD

04-7221	C	Seat, seal, and 0-ring kit	6
04-7223	C	Brass plunger assembly	6
04-7225	C	Nylon plunger assembly	6
04-7227	C	Nylon plunger and seal	6
04-7229	C	Seal and 0-ring	6
04-7231	C	Flush valve repair kit	6
04-7233	C	Nylon plunger seal and seat	6
04-7235	C	Brass plunger assembly	6
04-7235P	C	Plastic plunger assembly	6
04-7237	C	Plunger repair kit	6
04-7239	C	11372 Repair kit	6
04-7241	C	Complete ballcock repair kit	6
04-7243	C	A/S Repair kit 47243-07	6
04-7245	C	781014 Diaphragm for Yellow Ballcock	6
02-2980	B	Cup leather W-43	12
02-2982	B	Cup rubber W-42	12
02-2870	B	Rubber seal W-13	12
02-1578	B	Plunger 0-ring	12
X-48	B	12002-07 Rubber seat	12
X-312	B	1663-07 Monel seat	12
X-412	B	1852-07 Nylon seat	12
X-400	B	73002-07 Nylon seat	12
X-209	B	73002-07 Brass seat	12



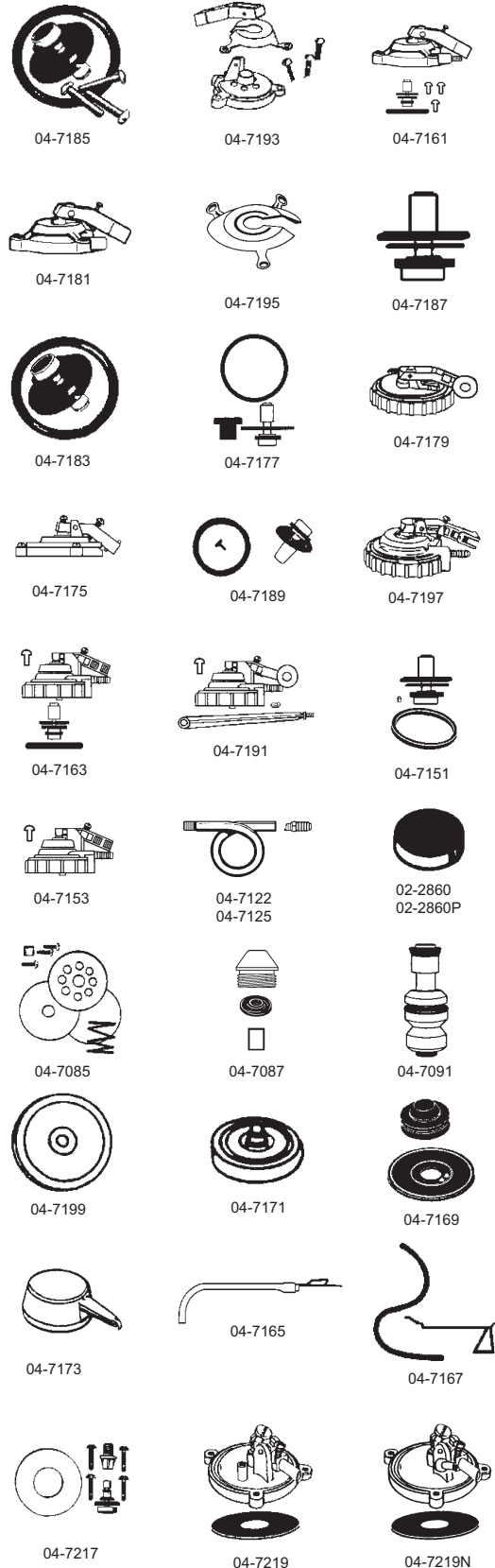
BRIGGS / CASE

04-7201	C	#50 Ballcock repair kit	6
04-7203	C	#62 Ballcock seat and washer kit	6
04-7205	C	Vent ball repair kit	6
04-7207	C	#62 Ballcock complete repair kit	6
04-7211	C	#50 Plunger assembly	6
04-7213	C	#62 Plunger assembly	6
02-2984	B	32-50 Cup washer	12
02-2986	B	47-50 Seat washer	12
02-2988	B	62-12A Cup washer	12
X-401	B	48-50 Nylon seat	12
X-203	B	48-50 Brass seat	12
X-402	B	62-39 Nylon seat	12
X-205	B	62-39 Brass seat	12



**BALLCOCK REPAIR KITS  
CONTINUED**

**B = BULK  
C = CARDED  
P = POLY BAG**



ITEM NO.	PACK	DESCRIPTION	CTN. QTY.
<b>COAST / MASTER</b>			
04-7185	C	1B1 Plunger assembly	6
04-7193	C	1B1 Top assembly	6
04-7161	C	1B1 Top and plunger assembly	6
04-7181	C	1B1 Top assembly with female thread outlet	6
04-7195	C	1B1 Spider top only	6
04-7187	C	1B Brass plunger assembly	6
04-7183	C	1B1X Plunger assembly	6
04-7175	C	1B1X Top assembly	6
04-7177	C	Mark II Plunger assembly	6
04-7179	C	Mark II Top assembly	6
04-7189	C	Mark III Plunger assembly	6
04-7197	C	Mark III Top assembly	6
04-7163	C	Mark III Top and plunger assembly	6
04-7191	C	Mark III Top and plunger assembly w/ plastic arm	6
04-7151	C	Mark IV Plunger assembly	6
04-7153	C	Mark IV Top assembly	6
04-7122	B	Plastic refill tube with fitting	12
04-7125	C	Same as above carded	6
02-2860	C	W-8 Ballcock washer	12
02-2860P	P	Same as above poly bag	12
<b>COLDWATER</b>			
04-7085	C	Ballcock repair kit	6
<b>CRANE</b>			
04-7087	C	Ballcock repair kit	6
<b>ELJER</b>			
04-7091	C	Plunger assembly	6
<b>DELTA / FILL-PRO</b>			
04-7199	C	1150 Ballcock repair kit	6
<b>FLUIDMASTER</b>			
04-7171	C	Ballcock seal kit	6
04-7169	C	Old #400 repair kit	6
04-7173	C	Top assembly	6
04-7173N	C	<b>NEW</b> Top assembly #385	6
04-7165	C	Refill tube assembly	6
04-7167	C	U.R. Refill tube assembly	6
<b>HOOVER / AMERLINE</b>			
04-7217	C	Plunger repair assembly	6
04-7219	C	Ballcock top assembly (Old Style)	6
04-7219N	C	Ballcock top assembly (New Style)	6





# BALLCOCK REPAIR KITS CONTINUED

B = BULK  
C = CARDED  
P = POLY BAG

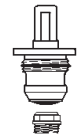
ITEM NO.	PACK	DESCRIPTION	CTN. QTY.
----------	------	-------------	-----------

## INDIANA BRASS

04-7095	C	77 and 79E Series plunger assembly	6
04-7255	C	79 Series plunger assembly	6



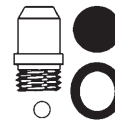
04-7095



04-7255

## KOHLER

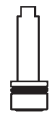
04-7071	C	New Style washer, seal and seat kit	6
04-7073	C	New Style plunger, seal and seat kit	6
04-7075	C	K9255 Brass plunger assembly	6
04-7077	C	K9255 Plunger, seal and seat kit	6
04-7079	C	K9252 Complete repair kit	6
04-7081	C	Old Style washer, seal and seat kit	6
04-7083	C	New Style complete kit with check plunger	6
04-7251	C	Old Style nylon plunger assembly	6
04-7253	C	K9240 Brass plunger only	6
04-7311	C	84499 Ballcock repair kit	6



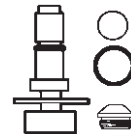
04-7071



04-7073



04-7075



04-7077



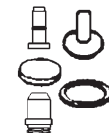
04-7079



04-7081



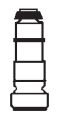
04-7311



04-7083



04-7251



04-7253

## MANSFIELD

04-7003	C	#03, 09 and Q16 Seat, seal and thumb screw kit	6
04-7005	C	Cap only for 08 ballcock	6
04-7007	C	08 Ballcock repair kit	6
04-7011	C	07 Ballcock repair kit	6
04-7013	C	12 Ballcock repair kit	6



04-7003



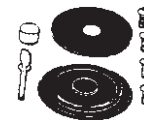
04-7005



04-7007

## UNIVERSAL RUNDLE

04-7249	C	#192 Brass plunger and seal kit	6
---------	---	---------------------------------	---



04-7011



04-7013



04-7249

## BALLCOCK WASHERS AND PARTS

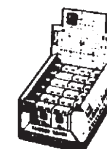
02-1890	B	Amer Std 233-17 plunger washer	12
02-2812	B	W-36 Split leather 15/32 x 3/4	12
02-2812P	P	Same as above poly bag	12
02-2820	B	W-27 Ballcock repair parts kit	24
02-2840	B	W-1A 7/16 x 1/8 Solid ballcock washer	12
02-2844	B	W-1 1/2 x 1/8 Solid ballcock washer	12
02-2844P	B	Same as above poly bag	12
02-2846	B	W-1C 17/32 x 1/8 Solid ballcock washer	12
02-2848	B	W-2 9/16 x 1/8 Solid ballcock washer	12
02-2850	B	W-3 5/8 x 1/8 Solid ballcock washer	12
02-2860	B	W-8 33/64 x 9/64 For Coast	12
02-2860P	P	Same as above poly bag	12
02-2866	B	W-11 1/2 x 3/16 For Mansfield	12
02-2866P	P	Same as above poly bag	12
02-2868	B	W-12 31/64 x 1/8 For Scovill	12
02-2870	B	W-13 American Standard 73070-07	12
02-2870P	P	Same as above poly bag	12



02-1890



02-2812  
02-2812P



02-2820



02-2840  
thru  
02-2868



02-2870  
02-2870P



**BALLCOCK WASHERS AND PARTS  
CONTINUED**

**B = BULK  
C = CARDED  
P = POLY BAG**

ITEM NO.	PACK	DESCRIPTION	CTN. QTY.
----------	------	-------------	-----------



02-2880  
02-2880P  
02-2881



02-2882  
02-2883



02-2888  
thru  
02-2904P



02-2906  
thru  
02-2918



02-2980



02-2982



02-2984



02-2988



CRF-12975



02-1506



02-1530



02-1550



IN68U



02-2850



IN79X



IN97Y



03-1840  
03-1840P  
03-1880



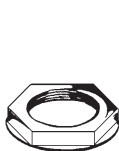
03-1843



03-1912  
03-2004



03-2007



03-2011

03-2008



03-2028  
03-2029



03-1940



03-1947



03-1951



04-1900



04-1902

**SHANK WASHERS**

02-2880	B	W-30 Ballcock shank washer	12
02-2880P	P	Same as above poly bag	12
02-2881	C	Same as above carded	6
02-2882	B	Flat B/C washer • Fluidmaster Style	12
02-2883	C	Same as above carded	6

**BALLCOCK WASHERS**

02-2888	B	W-18 7/16 x 1/8 Coast Magic	12
02-2888P	P	Same as above poly bag	12
02-2900	B	W-19 17/32 x 1/8 Eljer	12
02-2904	B	W-21 9/16 x 1/8 x 1/8	12
02-2904P	P	Same as above poly bag	12
02-2908	B	W-23 27/32 x 5/16 x 1/8	12
02-2906	B	W-38 Rubber supply washer	12
02-2910	B	W-39 Cloth Inserted rubber supply washer	12
02-2918	B	W-37A Leather supply washer	12

**BALLCOCK CUP WASHERS**

02-2980	B	W-43 Amer Std Leather cup washer #1853	12
02-2982	B	W-42 Amer Std Rubber cup washer #1853	12
02-2984	B	Case cup washer 32-50	12
02-2986	B	Case seat washer 47-50	12
02-2988	B	Case cup washer 62-12A	12
CRF-12975	B	Crane diaphragm	12
02-1506	B	Indiana upper plunger 0 Ring	12
02-1530	B	Indiana lower plunger 0 Ring	12
02-1550	B	Indiana plunger cap 0 Ring	12
IN68U	B	Indiana plunger cap	12
02-2850	B	Indiana plunger disc #68V	12
IN79X	B	Indiana rubber seal	12
IN97Y	B	Indiana plunger seal	12

**BALLCOCK NUTS AND KITS**

03-1840	B	Plastic 5/8 x 1/2 slip joint nut	12
03-1840P	P	Same as above poly bag	12
03-1843	C	Same as above carded w/cone and brass washer	6
03-1880	B	Brass plated 5/8 x 1/2 slip joint nut	12
03-1912	B	Die Cast 5/8 Jam nut	12
03-2004	B	Plastic 5/8 Jam nut	12
03-2007	C	Same as above carded with shank washer	6
03-2008	B	2" Plastic jam nut	12
03-2011	C	Same as above carded with flush valve gasket	6
03-2028	B	2" Brass jam nut	12
03-2029	C	Same as above carded	6
03-1940	B	2" Die Cast jam nut	12
03-1947	C	Same as above carded w/Bev and fiber washer	6
03-1951	C	Same as above carded w/flanged spud washer	6
04-1900	B	Plastic tank lever nut	12
04-1902	B	Die Cast tank lever nut	12



# TOILET REPAIR



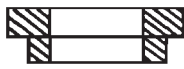
**BALLCOCK** X-48



**AMERICAN STANDARD  
( RUBBER COATED )**

SIZE: 9/16 x 18 Thread  
LENGTH: .300 inch  
OEM #: 12002-07

**BALLCOCK** X-404



**KOHLER  
(Nylon)**

No Thread  
OEM #: 22927

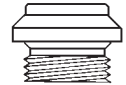
**BALLCOCK** X-408



**UNIVERSAL RUNDLE  
(Brass)**

SIZE: 13/32 x 24 Thread  
LENGTH: 1/2 inch  
OEM #: A373

**BALLCOCK** X-420



**AMERICAN STANDARD  
(Monel)**

SIZE: 7/16 x 24 Thread  
LENGTH: 13/32 inch  
OEM #: Not Available

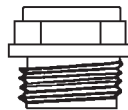
**BALLCOCK** X-412



**AMERICAN STANDARD  
(Nylon)**

SIZE: 7/16 x 24 Thread  
LENGTH: 13/32 inch  
OEM #: 1852-07

**BALLCOCK** X-410



**INDIANA BRASS  
(Nylon)**

SIZE: 17/32 x 24 Thread  
LENGTH: 1/2 inch  
OEM #: 8152

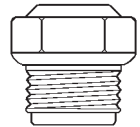
**BALLCOCK** X-415



**UNIVERSAL RUNDLE  
(Nylon)**

SIZE: 1/2 x 20 Thread  
LENGTH: 21/32 inch  
OEM #: 73002-07

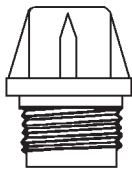
**BALLCOCK (BRASS) X-209  
(NYLON) X-400**



**AMERICAN STANDARD  
(Nylon)**

SIZE: 1/2 x 20 Thread  
LENGTH: 21/32 inch  
OEM #: 73002-07

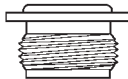
**BALLCOCK** X-413



**AMERLINE  
(Nylon)**

SIZE: 1/2 x 20 Thread  
LENGTH: 27/32 inch  
OEM #: Not Available

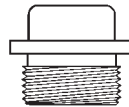
**BALLCOCK (BRASS) X-205  
(NYLON) X-402**



**CASE  
#62**

SIZE: 1/2 x 27 Thread  
LENGTH: 3/8 inch  
OEM #: 62-39

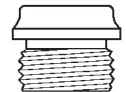
**BALLCOCK** X-207



**KOHLER  
(Brass)**

SIZE: 1/2 x 27 Thread  
LENGTH: 1/2 inch  
OEM #: 51254

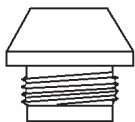
**BALLCOCK** X-422



**MANSFIELD  
(Nylon)**

SIZE: 1/2 x 27 Thread  
LENGTH: 7/16 inch  
OEM #: Not Available

**BALLCOCK (BRASS) X-406  
(NYLON) X-407**



**KOHLER**

SIZE: 1/2 x 27 Thread  
LENGTH: 19/32 inch  
OEM #: Not Available

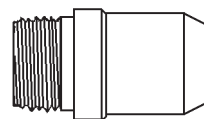
**BALLCOCK (BRASS) X-203  
(NYLON) X-401**



**CASE  
#50**

SIZE: 5/8 x 27 Thread  
LENGTH: 21/32 inch  
OEM #: 6-50

**BALLCOCK** X-414



**KOHLER  
(Nylon)**

SIZE: 1/2 x 27 Thread  
LENGTH: 1 inch  
OEM #: 51419

**BALLCOCK** X-403



**CRANE  
(Brass)**

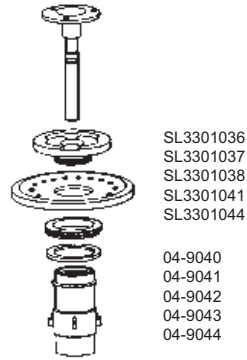
SIZE: 7/16 x 27 Thread  
LENGTH: 7/16 inch  
OEM #: CRF-12974

11/12/03



**B = BULK  
C = CARDED**

**SLOAN® / ZURN®  
FLUSH-O-METER PARTS**

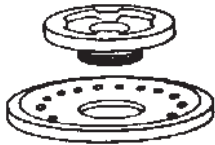


SL3301036  
SL3301037  
SL3301038  
SL3301041  
SL3301044

04-9040  
04-9041  
04-9042  
04-9043  
04-9044

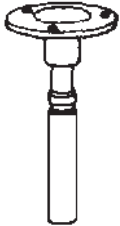


04-9007



SL3301189  
04-9011

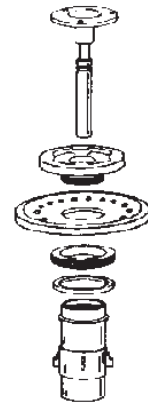
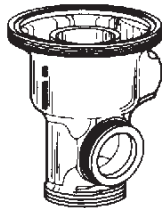
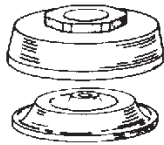
SL3301188  
04-9015



SL3301058  
04-9017  
SL3301059  
04-9019

SL0301172

SL0301168



ITEM NO.	PACK	DESCRIPTION	CTN. QTY.
----------	------	-------------	-----------

**INTERNAL PARTS KITS**

04-9041	C	Replacement Closet kit • 4.5 GPF	6
04-9040	B	Same as above • Boxed	10
SL3301036	B	A-36-A Genuine Sloan® Closet Kit • 4.5 GPH	1
SL3301038	B	A-38-A Genuine Sloan® Closet Kit • 3.5 GPH	1
SL3301041	B	A-41-A Genuine Sloan® Closet Kit • 1.6 GPH	1
04-9043	C	Replacement Urinal Kit • 1.5 GPF	6
04-9042	B	Same as above • Boxed	10
04-9044	B	Replacement Closet / Urinal Kit • 3.5 GPH	10
SL3301037	B	A-37-A Genuine Sloan® Urinal Kit • 1.5 GPF	1
SL3301044	B	A-42-A Genuine Sloan® Urinal Kit • 1.0 GPF	1

**HANDLE REPAIR**

04-9007	C	Replacement Handle Assembly	6
SL3302279	B	B-32-A Genuine Sloan® Handle Assembly	1
04-9009	C	Replacement Handle Kit	6
SL3302305	B	B-50-A Genuine Sloan® Handle Repair Kit	1
04-9011	C	Replacement Diaphragm Assembly	6
SL3301189	B	A-156-AA Genuine Sloan® Diaphragm Assembly	1
04-9015	C	Replacement Diaphragm Only	6
SL3301188	B	A-156-A Genuine Sloan® Diaphragm Only	1
04-9017	C	Replacement Closet Tripper	6
SL3301058	B	A-19-AC Genuine Sloan® Closet Tripper	1
04-9019	C	Replacement Urinal Tripper	6
SL3301059	B	A-19-AU Genuine Sloan® Urinal Tripper1	1
SL0301172	B	A-72 Genuine Sloan® Chrome Cover	1
SL0301168	B	A-71 Genuine Sloan® Inside Plastic Cover	1

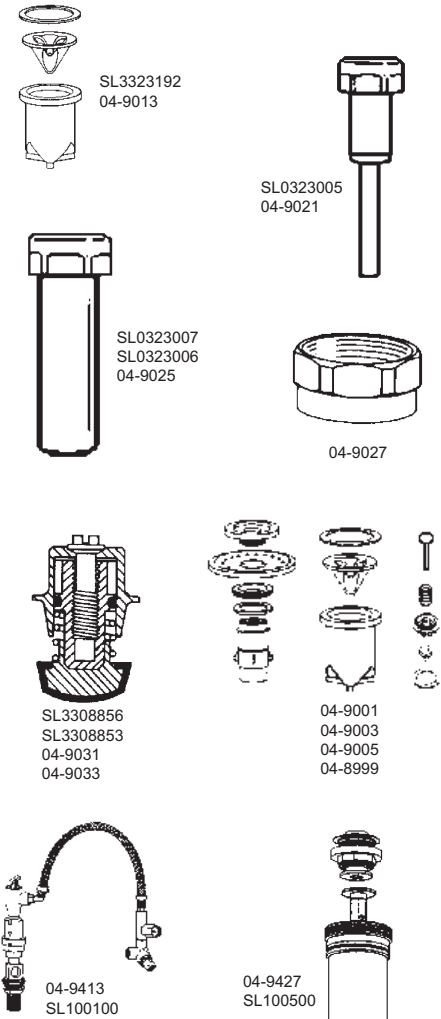
**\* For complete list of parts see OEM parts section  
Page 04-50 thru 04-53**



**SLOAN® / ZURN®  
FLUSH-O-METER PARTS**

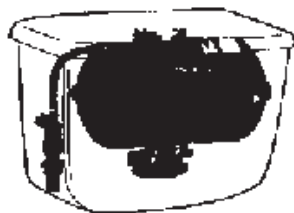
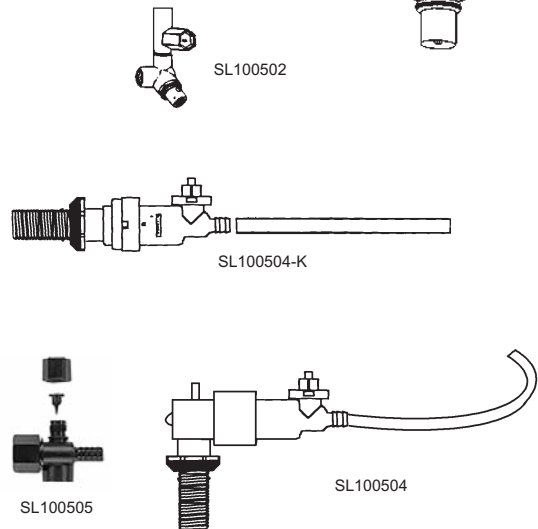
**B = BULK  
C = CARDED**

ITEM NO.	PACK	DESCRIPTION	CTN. QTY.
<b>REPAIR KITS</b>			
04-9013	C	Replacement vacuum breaker sleeve assy.	6
SL3323192	B	Genuine Sloan® vacuum breaker sleeve assy.	1
04-9021	C	Replacement vacuum breaker 3/4" x 9" assembly	6
SL0323005	B	V-500-AA Genuine Sloan® 3/4" x 9" vacuum breaker assembly	1
SL323006	B	V-500-AA Genuine Sloan® 1-1/4" x 9" vacuum breaker assembly	1
04-9025	C	Replacement vacuum breaker 1-1/2" x 9" assembly	6
SL323007	B	Same as above (Bulk) Genuine	1
04-9027	C	Replacement vacuum breaker tube nut only	6
04-9031	C	Replacement 3/4" screw-driver stop repair kit	6
SL3308856	B	Genuine Sloan® 3/4" screw-driver stop repair kit	1
04-9033	C	Replacement 1" screw-driver stop repair kit	6
SL3308853	B	Genuine Sloan® 1" screw-driver stop repair kit	1
04-9001	C	Replacement complete urinal repair kit	6
04-9003	C	Replacement complete closet repair kit	6
04-9005	C	Replacement complete water saver repair kit	6
04-8999	C	Universal Kit for All Urinal/Closets • All flow rates	6

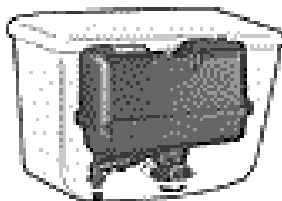


**FLUSHMATE PARTS**

04-9413	C	Complete upper and lower water supply for 501 series	1
SL100100	B	Same as above (Bulk) Genuine	1
04-9427	C	Cartridge assembly for 500, 501 and 503 series	1
SL100500	B	Same as above (Bulk) Genuine	1
SL100502	B	Upper supply for 501 series	1
SL100504-K	B	Lower supply & hose for 501 (Straight Series)	1
SL100505	B	Upper supply for 503 series	1
SL100504	B	Lower supply & hose for 503 (Angle Series)	1



501 Series

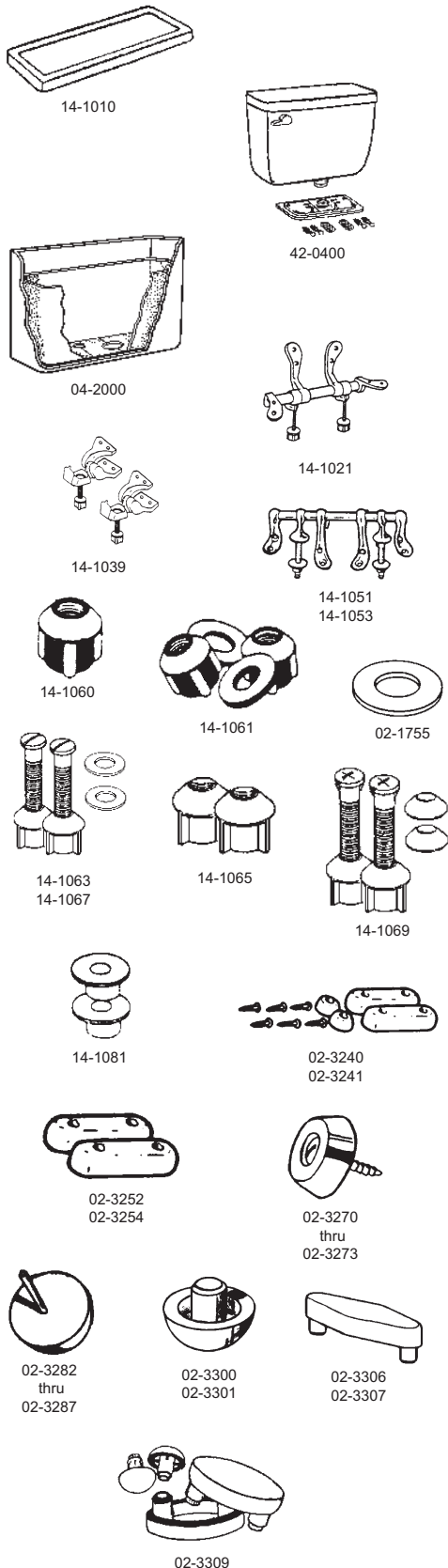


503 Series



**B = BULK**  
**C = CARDED**

**TOILET PARTS**

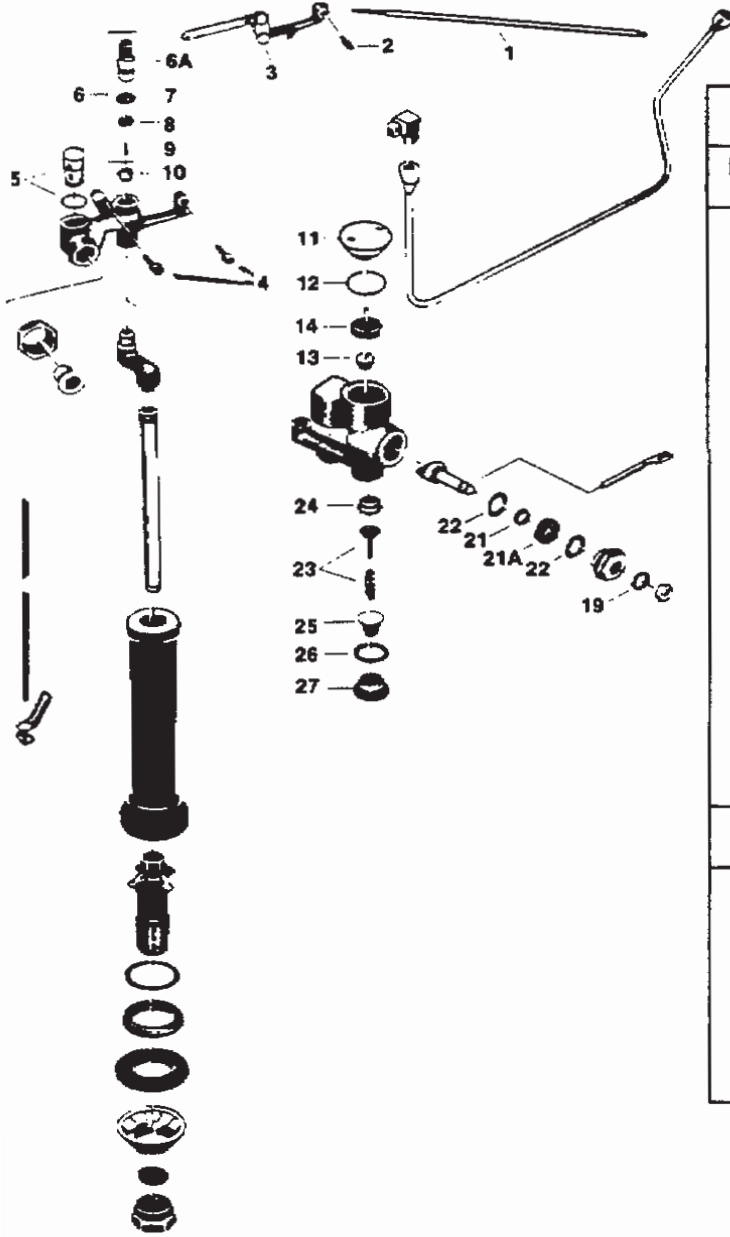


ITEM NO.	PACK	DESCRIPTION	CTN. QTY.
<b>PLASTIC TANK LID</b>			
14-1010	B	Replaces all broken tank lids 23 x 8-7/8	6
<b>PLASTIC TOILET TANK (IMPACTO II)</b>			
42-0400	B	Fit All replacement tank (Fits most toilets)	6
<b>TOILET TANK LINER</b>			
04-2000	B	Toilet tank liner	12
<b>TOILET SEAT HINGE</b>			
14-1021	C	White plastic seat hinge	6
14-1039	C	Top mount seat hinge set	6
14-1051	C	Chrome plated brass seat hinge set	6
14-1053	C	Polished brass seat hinge set	6
14-1060	B	Plastic seat hinge nut	12
14-1061	C	3/8 Carded nuts with washers (1 pair)	6
14-1065	C	7/16 Carded nuts only (1 Pair)	6
02-1755	C	Flat seat hinge washer (1 Pair)	6
14-1063	C	3/8 x 2-1/4 Bolts with nuts & washers (1 pair)	6
14-1067	C	7/16 x 2-1/8 Bolts with nuts & washers (1 pair)	6
14-1069	C	Polished brass bolt set for Oak Seats (1 pair)	6
14-1081	C	Toilet Seat Stabilizers • Takes the Wobble Out (1 pair)	6
<b>TOILET SEAT BUMPERS</b>			
02-3240	B	B-36 Rubber bumpers set with screws	24
02-3241	C	Same as above carded	6
02-3252	B	B-34 Rubber bumpers 2-1/4 x 7/16 x 1/2	100
02-3254	B	B-38 Rubber bumpers 2-1/4 x 7/16 x 7/8	100
02-3270	B	3/4" Round white screw bumper	100
02-3271	C	Same as above carded (4 in snap)	6
02-3272	B	1" Round white screw bumper	100
02-3273	C	Same as above carded (4 in snap)	6
02-3282	B	1/2" Round white tack bumper	100
02-3283	C	Same as above carded (4 in snap)	6
02-3284	B	5/8" Round white tack bumper	100
02-3285	C	Same as above carded (4 in snap)	6
02-3286	B	3/4" Round white tack bumper	100
02-3287	C	Same as above carded (4 in snap)	6
02-3300	B	3/4" Round plastic snap-in bumper	100
02-3301	C	Same as above carded (2 in snap)	6
02-3306	B	3/4" x 1-3/16" Oval bumper	100
02-3307	C	Same as above carded (2 in snap)	6
02-3309	C	3/4" Round & 1-3/16" oval kit (2 of each in snap)	6



OLD STYLE  
PLUNGER  
ASSEMBLY  
USE  
04-7235

- 1
- 2
- 3
- 4
- 5
- 6



TOILET TANK WATER CONTROL

Item No.	Lasco Part No.	OEM	Description
1		782-27	Float Rod
2		558-07	Thumb Screw
3		10740-07	Lever Sub-Assembly
4		10557-17	Disc. Use 557-17
5		10765-07	Volume Regulator
6	04-7235	8339-07	Plunger Assembly
7	02-2980	1853-07	Cup Leather
	02-2982		Cup Rubber
8	02-1890	233-17	Plunger Washer
9	XS-560	190-07	Brass Screw
10	X-312	1563-07	Monel Seat
	X-412	1852-07	Nylon Seat
11		25672-07	Cap
12		1888-07	Washer Use 866-27
13		33542-07	Seat
14		25670-07	Float
19		113-07	Washer
21		64705-07	Washer
21A		64706-07	Packing Seal
22		64704-07	Brass Washer
23		12004-07	Valve Stem Assembly
24	X-48	12002-07	Seat
25		12248-07	Screen
26		12007-07	Gasket
27		12268-07	Plug

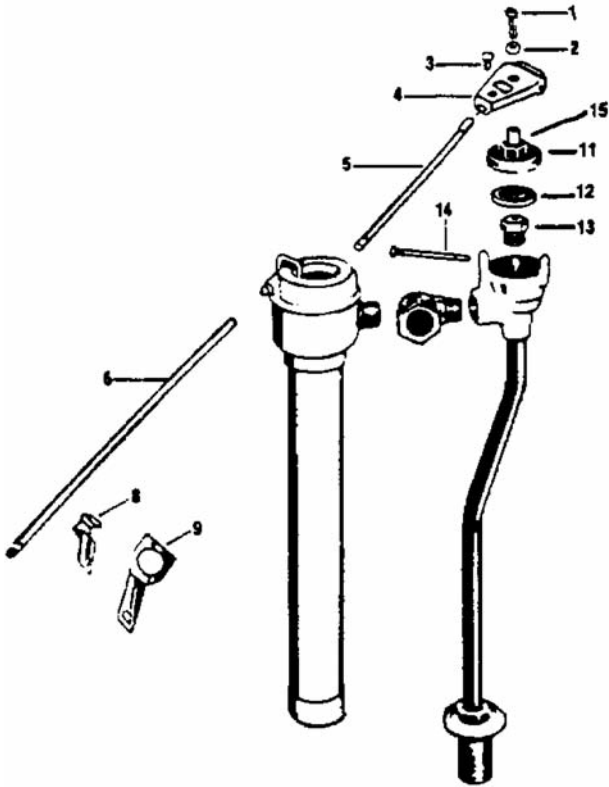
CARDER KITS

04-7235		Plunger Assembly Brass
04-7235P		Plunger Assembly Nylon
04-7237		Plunger Repair Includes Items 7, 8, & 9
04-7241		Complete Repair Kit Includes Items 2, 3, 11, 14, 21, 23, 24, 25, 26, 27, 28, & 29
04-4190		Complete Vent-A-Way Ballcock 47135-07

**LASCO**  
Manufacturing Company

LARSEN SUPPLY COMPANY, INC.





AMERICAN STANDARD 172As			
Item No.	Lasco Part No.	OEM	Description
1		73255-05	Screw
2	XS-803	73016-05	Nut
3	XS-558	73017-05	Screw
4		73019-09	Pivot Arm
5		73014-07	Float Rod 11"
6	04-7165	73022-07	Refill Tube 7"
8		73027-07	Tube Clip Use 72989-07
9		73026-07	Tube Guide
11		73071-07	Cap & Plunger Assembly
12	02-2870	73070-07	Seal
13	X-400	73002-07	Nylon Seat
	X-209		Brass Seat
14		73018-07	Pivot Pin
15	02-1578		O-Ring
CARDED KITS			
	04-7221		1 Ea #12, 13, 15
	04-7223		#11 Brass
	04-7225		#11 Nylon
	04-7227		#11 & 12
	04-7229		#12 & 15
	04-7233		#11, 12, 13

**LASCO**  
Manufacturing Company

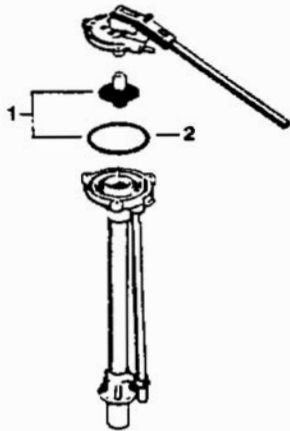
LARSEN SUPPLY COMPANY, INC.



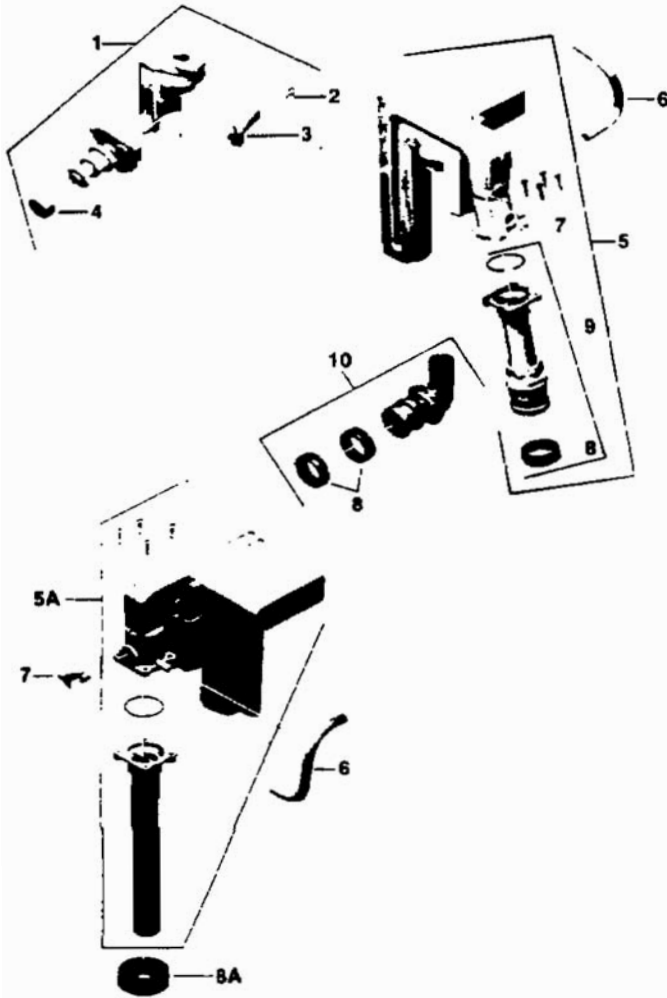


AMERICAN-STANDARD

OEM TOILET REPAIR PARTS



AMERICAN STANDARD 3140 BALLCOCK			
Item No.	Lasco Part No.	OEM	Description
1	04-7239	11372	Plunger Assembly
2	02-1600		Cap Seal



VENTILATED TOILET TANK COMPONENTS			
Item No.	Lasco Part No.	OEM	Description
1		33633-07	Back Flow Preventer
2		33334-07	Screw
3		33409-07	Paddle Lever
4		33420-07	Rubber Seal
5		33490-07	Ventilator For Luxor
5A		33492-07	Ventilator For Norwall
		33488-07	Ventilator For Compact/ Glenwall
6		33457-07	Vacuum Tube
7		33252-07	Male Elbow
8		33496-07	Rubber Seal
8A		33455-07	Rubber Seal
9		47054-07	Discharge Tube
10		33501-07	Mounting Elbow

**LASCO**  
Manufacturing Company

LARSEN SUPPLY COMPANY, INC.





#3 FLUSH VALVE			
Item No.	Lasco Part No.	OEM	Description
1		15-37	Leather Seat Washer

REPLACE COMPLETE UNIT WITH 04-2234 47087-07



NEW FLUSH VALVE			
Item No.	Lasco Part No.	OEM	Description
1	04-2232	47107-07	N/S #4 Plastic Base



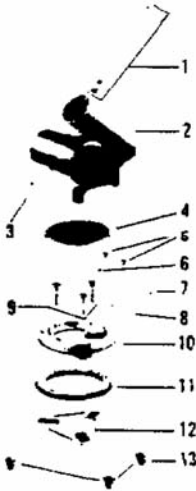
N3 055 FLUSH VALVE			
Item No.	Lasco Part No.	OEM	Description
1		73058-07	Grommet
2		73059-07	Stop
3		73069-07	Seal
4	02-3128	1039-07	Gasket
5	03-2028	73217-07	Lock Nut

CARDED KITS			
	04-7231		Flush Valve Repair Items 1,2,3

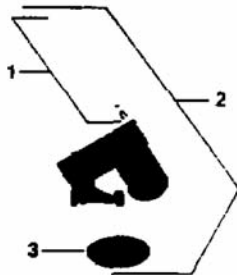
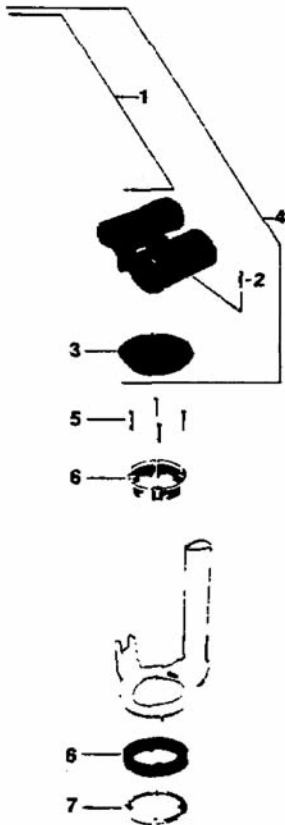


AMERICAN-STANDARD

OEM TOILET REPAIR PARTS



#4 FLUSH VALVE 3156.015			
Item No.	Lasco Part No.	OEM	Description
1	04-2247	8321-07	Flush Valve Chain Assembly
2	04-2211	8182-07	Actuating Unit Items 1-8
3		73382-07	Screw For Seat Disc
4	04-1603-1 04-1603	73383-07	Screw-On Seat Disc Bulk Same Carded
5		737-27	Leg Support Screw
6		732-37	Nut
7		722-27	Screw
8		722-27	Support Leg
9		729-27	Flat Head Screw
10		33199-07	Seat
11		715-27	Seal
12		727-27	Fastening Lug
13		726-27	Bolt Hole Seal
CARDED KITS			
	04-2249 04-2247 04-2211 04-1603		Leg Support Kit Parts 5-8 Flush Valve Chain Assembly Actuating Unit Screw-On Seat Disc



#5 FLUSH VALVE 3158.078 & 3154.010			
Item No.	Lasco Part No.	OEM	Description
1	04-2247	8321-07	Flush Valve Chain Assembly
2	04-2201	73380-07	Actuating Unit Items 1-3
3	04-1601-1 04-1601	33643-07	Snap-On Seat Disc Bulk Same Carded
	04-2240	47089-07	#5 Complete Unit Short
	04-2242	47002-07	#5 Complete Unit Tall
CARDED KITS			
	04-2247 04-2201 04-1601		Flush Valve Chain Actuating Unit Snap-On Seat Disc

#6 FLUSH VALVE 3159.019			
Item No.	Lasco Part No.	OEM	Description
1	04-2247	8321-07	Flush Valve Chain Assembly
2		73382-07	Disc Screw
3	04-1603-1 04-1603	73383-07	Screw-On Seat Disc Bulk Same Carded
4	04-2201	73380-07	#6 Actuating Unit
5	XS-571	33333-07	Screws 1½x8-32
6		33410-07	Seal
7		33412-07	Compression Plate
8	04-2244	47049-07	#6 Complete Unit
CARDED KITS			
	04-2247 04-1603 04-2201		Flush Valve Chain Assembly Screw-On Seat Disc #6 Actuating Unit

**LASCO**  
Manufacturing Company

LARSEN SUPPLY COMPANY, INC.

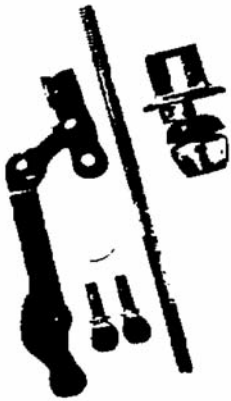


CASE BALLCOCK

OEM TOILET REPAIR PARTS

#50 BALLCOCK KITS

1



**Model No. 5121 (SP-21)**  
 No. 50 Ballcock Body Parts  
 1 46-50 Plunger, 2 pieces, New Style, Complete 1 48-50 Nylon Seat 1 Cross Lever, Complete, Parts 16A, 16B, 16C, 16D-50 1 27-50 Float Rod, 2 26-50 Thumb Screws

2



**Model No. 5122 (SP-22)**  
 No. 50 Stop Assembly Repair Parts  
 1 40-50 Stop Spindle, 1 41-50 Packing Nut, 2 42-50 Packing Washers, 1 43-50 Upper Skirt, 1 43A-50 Lower Skirt, 1 44-50 Skirt Spacer

3



**Model No. 5123 (SP-23)**  
 No. 50 Ballcock Regulator Repair Parts  
 1 4-50 Regulator Body, 1 39-50 Union Nut, 1 38-50 Union Tailpiece, 1 37-50 Union Gasket, 1 Assembly Adjustable Regulator — 12-50 Regulator 12A-50 "O" Ring 12B-50 Washer 12C-50 Screw

4



**Model No. 5124 (SP-24)**  
 No. 50 Ballcock Vent Assembly Repair Parts  
 1 17-50 Vent Cap, 1 28-50 Vent Cap Washer, 2 34-50 Vent Cap Screws, 1 20-50 Vent Ball Seat Washer, 1 29-50 Vent Ball

5



**Model No. 5125 (SP-25)**  
 No. 50 Ballcock Rim Valve Repair Parts  
 1 10-50 Rim Valve 1 5-50 Rim Valve Cap 1 Assembly Parts 7, 8-50 Connecting Wire and Rim Valve Lever, 1 9-50 Rim Valve Screw

6



**Model No. 5126 (SP-26)**  
 No. 50 Ballcock Miscellaneous Repair Parts  
 1 24-50 Hush Tube, 1 20-50 Vent Ball Seat Washer, 1 25-50 Vent Ball, 1 28-50 Vent Cap Washer, 2 34-50 Vent Cap Screws, 1 48-50 Nylon Seat, 1 47-50 Seat Washer, 1 32-50 Cup Washer

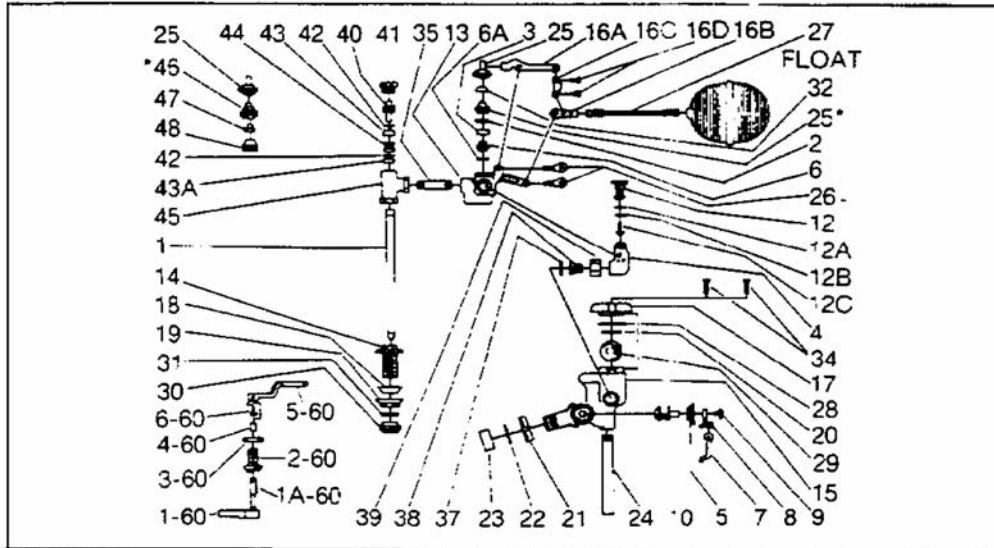
**LASCO**  
 Manufacturing Company

LARSEN SUPPLY COMPANY, INC.



CASE BALLCOCK

OEM TOILET REPAIR PARTS



- |        |   |        |                       |
|--------|---|--------|-----------------------|
| 25-50  | Plunger   | 27-50  | Float Rod             |
| 46-50* | Plunger Extension<br>(Replaces Part 25-50 below)  | 26-50  | Thumb Screw           |
| 3-50   | Seat Washer Cup-Obsolete                          | 23-50  | Rim Connection Washer |
| 6-50   | Seat-Obsolete<br>(Replaced by 48-50)              | 22-50  | Rim Connection Washer |
| 42-50  | Packing Washer                                    | 21-50  | Rim Connection Bolt   |
| 41-50  | Packing Nut                                       | 12C-50 | Regulator Screw       |
| 40-50  | Stop Spindle                                      | 39-50  | Union Nut             |
| 42-50  | Packing Washer                                    | 38-50  | Union Tailpiece       |
| 43-50  | Upper Skirt                                       | 37-50  | Union Gasket          |
| 44-50  | Skirt Spacer                                      | 17-50  | Vent Cap              |
| 43A-50 | Lower Skirt                                       | 15-50  | Vent Body             |
| 45-50  | Stop Body   | 12-50  | Adjustable Regulator  |
| 13-50  | Body  | 12A-50 | Regulator "O" Ring    |
| 1-50   | Riser Tube  | 12B-50 | Regulator Washer      |
| 14-50  | Shank   | 34-50  | Vent Cap Screw        |
| 18-50  | Shank Washer                                      | 28-50  | Vent Cap Washer       |
| 19-50  | Locknut   | 20-50  | Vent Ball Seat Washer |
| 31-50  | Coupling Nut Washer                               | 4-50   | Regulator Body        |
| 30-50  | Coupling Nut                                      | 29-50  | Vent Ball             |
| 47-50  | Seat Washer (Replaces 2-50)                       | 10-30  | Rim Valve             |
| 48-50  | Nylon Seat (Replaces 6-50)                        | 9-50   | Rim Valve Screw       |
| 2-50   | Seat Washer-Obsolete<br>(Replaced by 47-50)       | 8-50   | Rim Valve Lever       |
| 35-50  | Nipple  | 7-50   | Rim Valve Cap         |
| 25-50  | Plunger Extension-Obsolete<br>(Replaced by 46-50) | 24-50  | Rush Tube             |
| 6A-50  | Seat Gasket-Obsolete                              | 32-50  | Cup Washer            |
| 16A-50 | Cross Lever                                       | 25-50* | Plunger Extension     |
| 16C-50 | Sheet Link  | 5-50   | Rim Valve Cap         |
| 16D-50 | Rivet   | 5-60   | Lift Arm              |
| 16B-50 | Float Rod Lever                                   | 6-60   | Lift Arm Screw        |
|        |   | 4-60   | Spacer                |
|        |   | 3-60   | Nut                   |
|        |   | 2-60   | Bushing               |
|        |   | 1A-60  | Stem                  |
|        |   | 1-60   | Handle                |

#50 BALLCOCK

BRIGGS CARDED KITS

Item No.	Lasco Part No.	OEM	Description
1	CASP-21	5121	#50 Ballcock Parts
2	CASP-22	5122	#50 Stop Assembly Parts
3	CASP-23	5123	#50 Regulator Parts
4	CASP-24	5124	#50 Vent Assembly Parts
5	CASP-25	5125	#50 Rim Valve Parts
6	CASP-26	5126	#50 Miscellaneous Parts
7	CASP-32	5132	#50 General Repair Parts

INDIVIDUAL ITEMS

20		20-50	Vent Ball Washer
27	04-3500	27-50	Float Rod
28		28-50	Vent Cap Washer
29		29-50	Vent Ball
32	02-2984	32-50	Cup Washer
42		42-50	Packing For Stop Assembly
46	04-7211	46-50	Plunger Assembly
47	02-2986	47-50	Seat Washer (Snap-in)
48	X-401 X-203	48-50	Nylon Seat Brass Seat

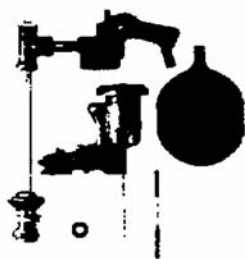
CARDED KITS

	04-7211		#50 Plunger Assembly with Seat
	04-7201		#50 Repair Kit with Seat
	04-7205		Vent Repair Kit Includes (2) 34-50 (1) 20-50 (1) 28-50 (1) 29-50

COMPLETE BALLCOCK ASSEMBLY

	04-4154 04-4156		Genuine #50 Indiana Replacement
--	--------------------	--	------------------------------------

MODEL 5150 (#50)



No. 1000-1100 Models Case One-Piece Water Closet



No. 3600 Case Wall Hung One-Piece Water Closet

The No. 50 Ballcock is used on the models shown above. Use these photos to help identify your closet to acquire the correct parts needed.

**LASCO**  
Manufacturing Company

LARSEN SUPPLY COMPANY, INC.

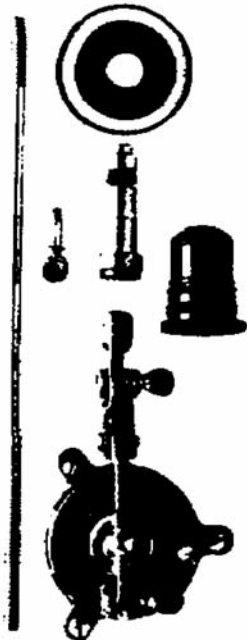


CASE BALLCOCK

OEM TOILET REPAIR PARTS

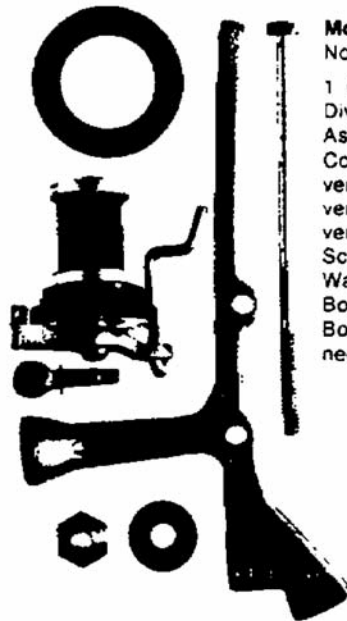
#62-8 BALLCOCK KITS

1



**Model No. 5101 (SP-1)**  
Conversion Kit to No. 62-8 Ballcock.  
1 62-11 Vent Disc, 1 62-13 Vent Cap Washer, 3 62-15 Vent Cap Screws, 2 62-16 Thumb Screws, 1 8-14A Vent Cap, 1 8-18A Float Rod—9" Stiff Brass, 1 8-42A Plunger—brass, complete with Part 62-12A Plunger Cup Washer and Part 62-40 Seat Washer (Flat), 1 8-47 Plunger Fulcrum Arm, 1 8-48 Float Rod Fulcrum Arm, 1 8-49 Water Level Adjusting Screw, 1 8-50 Lock Nut for Adjusting Screw, 1 62-44 Volume Control with Parts 62-22 O" Ring and Part 62-43 Plug, 1 62-39 Seat (for Flat Seat Washer).

2



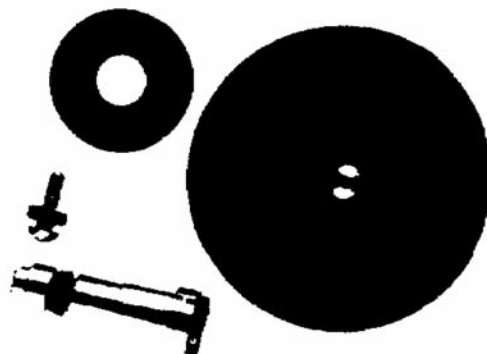
**Model No. 5110 (SP-10)**  
No. 62-8 Diverter Valve Parts  
1 62-28 Diverter Valve, 1 8-46 Diverter Valve Fulcrum Arm, 1 Assembly 62-30 Diverter Valve Connecting Wire and 8-31A Diverter Valve Arm, 1 62-32 Diverter Valve Screw, 1 62-33 Diverter Valve Cap, 1 62-16 Thumb Screw, 1 62-34 Rim Connection Washer, 1 62-35 Rim Connection Bolt, 1 62-36 Rim Connection Bolt Washer, 1 62-37 Rim Connection Bolt Nut.

3



**Model No. 5112 (SP-12)**  
No. 62-8 Pump Assembly  
1 62-26 Jet Pump Body, 1 8-25A Jet Pump Elbow, 2 62-24 Connecting Tube Clamps, 1 8-23A Connecting Tube-7"

4



**Model No. 5119 (SP-19)**  
No. 62-8 Plunger Assembly  
1 8-42A Plunger Assembly with Parts 62-12A Cup Washer and Parts 62-40 Seat Washer, 1 62-39 Seat, 1 62-11 Vent Disc, 1 8-49 Water Level Adjusting Screw, 1 8-50 Locknut for Adjusting Screw, 1 60-5 Triple Seal Ball.

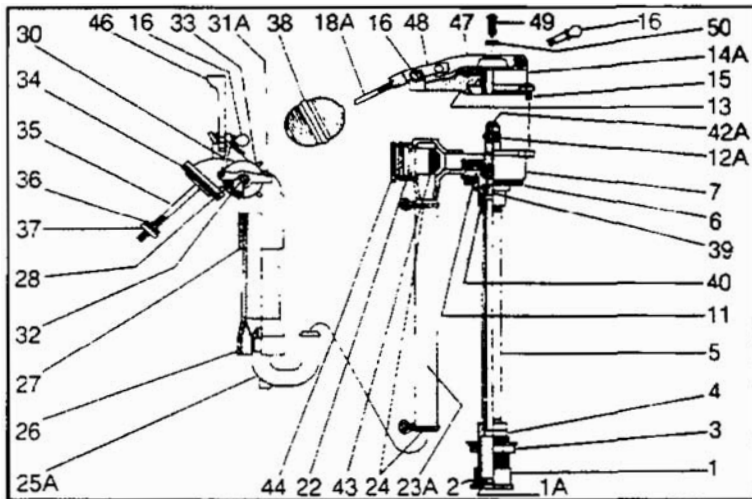
**LASCO**  
Manufacturing Company

LARSEN SUPPLY COMPANY, INC.

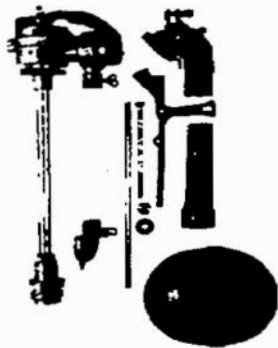


CASE BALLCOCK

OEM TOILET REPAIR PARTS



- |                                      |                                       |
|--------------------------------------|---------------------------------------|
| 62-1 Clamping Nut                    | 62-21 Diverter Valve Body             |
| 62-1A Clamping Nut Washer - Floor    | 62-22 Diverter Valve                  |
| 62-2 Clamping Nut Washer             | 62-23 Diverter Valve Connecting Valve |
| 62-3 Shank Lock Nut                  | 62-24 Diverter Valve Arm              |
| 62-4 Rear Plug Screw                 | 62-25 Diverter Valve Spring           |
| 62-5 Rear Plug                       | 62-26 Diverter Valve Cap              |
| 62-6 Ballcock Body Washer            | 62-27 Rim Connection Washer           |
| 62-7 Ballcock Body                   | 62-28 Rim Connection Bolt             |
| 62-8 Vent Disc                       | 62-29 Rim Connection Bolt Washer      |
| 62-12A Plunger Cup Washer            | 62-30 Rim Connection Bolt Nut         |
| 62-13 Vent Cap Washer                | 62-31 Float                           |
| 62-14A Vent Cap                      | 62-32 Seat (Plat)                     |
| 62-15 Vent Cap Screw - 3/16"         | 62-33 Seat Washer (Flat)              |
| 62-16 Trunion Screw - 1/2"           | 8-42A Plunger - Brass                 |
| 62-18A Float Rod - 1/2" - Soft Brass | 62-43 Volume Control Plug             |
| 62-22 Volume Control O-Ring          | 62-44 Volume Control                  |
| 62-23A Connecting Tube - 1/2"        | 6-48 Diverter Valve Plunger Arm       |
| 62-24 Connecting Tube Clamp - 1/2"   | 6-47 Plunger Plunger Arm              |
| 62-25 Jet Pump G-Screw               | 6-46 Float Rod Plunger Arm            |
| 62-26 Jet Pump Body                  | 6-45 Water Level Adjusting Screw      |
|                                      | 6-50 Lock Nut for Adjusting Screw     |



Model No. (3164) 62-8  
No. 62-8 Ballcock (complete with float rod and float)

This ballcock is a VACUUM BREAKER type that requires no refill tube. The supply (Riser Pipe, Part 62-5) is shielded by a china housing. The tank refilling is accomplished wholly thru the diverter valve and jet pump. The vacuum breaker, or anti-siphon, feature is an open atmospheric vent. The vent disc prevents water from siphoning thru the vent opening when pressure is on an open ballcock. This vent will relieve any vacuum condition on supply lines WITHOUT ANY BACK SIPHONAGE. The WATER VOLUME CONTROL is located just beyond the plunger. Closing the knurled head puts back pressure on the plunger and reduces the rate of flow thru the ballcock.

CASE 62-8 BALLCOCK

BRIGGS CARDED KITS

Item No.	Lasco Part No.	OEM	Description
1	CASP-1	5101	Conversion Kit 62-66 to 62-8
2	CASP-10	5110	62-8 Diverter Valve Parts
3	CASP-12	5112	62-8 Pump Assembly
4	CASP-19	5119	62-8 Plunger Kit

INDIVIDUAL ITEMS

11		62-11	Vent Disc
12A	02-2988	62-12A	Cup Washer
13	02-1438	62-13	Vent Cap O-Ring
15	XS-552	62-15	Vent Cap Screw
16	XS-852	62-16	Thumb Screw
18A	04-3502	62-18A	Brass Float Rod
22	02-1524	62-22	Volume Control O-Ring
34	02-2010	62-34	Rim Connection Washer
36		62-36	Rim Connection Bolt
37		62-37	Rim Connector Nut
39	X-402	62-39	Nylon Seat
	X-205		Brass Seat
40	02-2986	62-40	Snap-In Seat Washer
42A	04-7213	8-42A	Brass Plunger
43		62-43	Volume Control Plug
44		62-44	Volume Control Unit
49	XS-552	62-49	Adjustment Screw
50	XS-801	8-50	Brass Lock Nut

CARDED KITS

	04-7213		Brass Plunger Assembly Washer & Seat Kit Includes items 12A,39,40 Complete Kit for #62 Includes items #11,12A,13, 22,39,40, & 42A
	04-7203		
	04-7207		

COMPLETE BALLCOCK

	04-4160	62-8	Ballcock
--	---------	------	----------

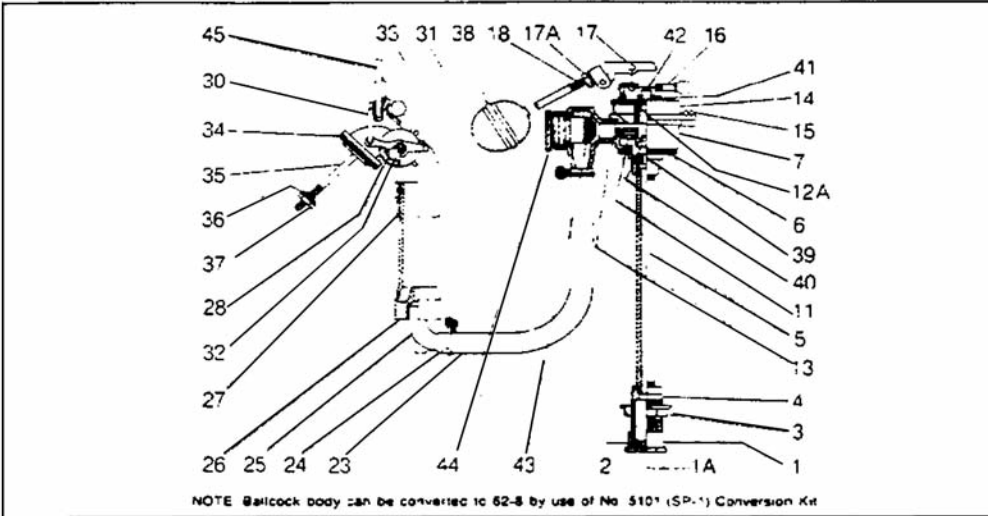
**LASCO**  
Manufacturing Company

LARSEN SUPPLY COMPANY, INC.



CASE BALLCOCK

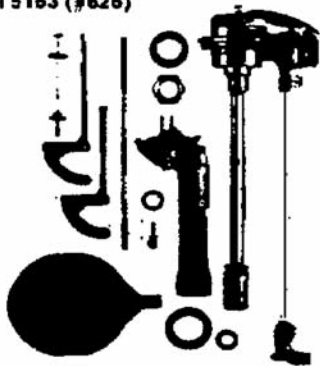
OEM TOILET REPAIR PARTS



NOTE Ballcock body can be converted to 62-8 by use of No. 5101 (SP-1) Conversion Kit

- |  |  |                                     |  |
|--|--|-------------------------------------|--|
| 62-1 Coupling Nut                      | 62-13 Vent Cap Washer                  | 62-22 Connecting Tube - 10          | 62-26 Rim Connection Bolt                  |
| 62-1A Coupling Nut Washer - Fiber      | 62-14 Vent Cap                         | 62-24 Connecting Tube Clamp 2       | 62-28 Rim Connection Bolt Washer           |
| 62-2 Coupling Nut Washer               | 62-15 Vent Cap Screws (2)              | 62-25 Jet Pump Elbow                | 62-27 Rim Connection Bolt Nut              |
| 62-3 Flange (see Nut)                  | 62-16 Thumb Screws (2)                 | 62-26 Jet Pump Body                 | 62-28 Float                                |
| 62-4 Rear Pipe Flange                  | 62-17 Plunger Fulcrum Arm              | 62-27 Diverter Valve Body           | 62-29 Seal for Flat Seat Washer            |
| 62-5 Rear Pipe                         | 62-17A Float Rod Lock Nut              | 62-28 Diverter Valve                | 62-30 Seal Washer (1-11)                   |
| 62-6 Ballcock Body Washer              | 62-18 Float Rod - 10                   | 62-29 Diverter Valve Fulcrum Arm    | 62-41 Plunger Sleeve                       |
| 62-7 Ballcock Body                     | 62-19 Volume Control Screw - Use 62-31 | 62-30 Diverter Valve Connecting Arm | 62-42 Plunger - Brass for Flat Seat Washer |
| 62-8 Seat (use 62-29)                  | 62-20 Volume Control Washer            | 62-31 Diverter Valve Arm            | 62-43 Volume Control Plug                  |
| 62-9 Seal Washer - Cone (use 62-40)    | 62-21 Volume Control (Use 62-44)       | 62-32 Diverter Valve Screw          | 62-44 Volume Control                       |
| 62-10 Plunger (use 62-42)              | 62-22 Volume Control O Ring            | 62-33 Diverter Valve Cap            | 62-45 Diverter Valve Fulcrum Arm Long      |
| 62-11 Vent Disk                        |  | 62-34 Rim Connection Washer         |  |
| 62-12A Plunger Cup Washer (use 62-12A) |  |                                     |  |

Model 5163 (#626)



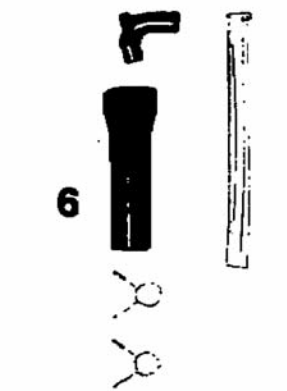
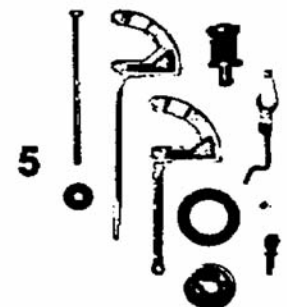
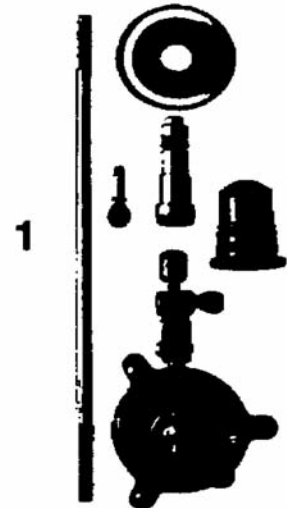
Model 5163 (#626)

No. 5163-65 Replacement Ballcock Assembly (Complete with Float Rod and Float)

The original float rod-plunger arm was changed to the adjustable plunger fulcrum arm (part 62-17) with a lock nut (part 62-17A). With this change a brass plated steel (11") float rod was used to prevent bending and to shut off at high pressures. After much experience this was changed to a 10" stiff brass rod. The lock nut should always be tightened after adjusting to prevent chattering.

\*Due to the improvement of the compound level and a positive water level adjusting screw, the 62-8 ballcock body will be used instead of the 62 body which is obsolete.

Note—Diverter Valve Fulcrum Arm  
Use 62-29 with 62 flush valve  
Use 62-45 with 66 flush valve



62-66 CASE BALLCOCK			
Item No.	Lasco Part No.	OEM	Description
1	CASP-1	SP-1	Conversion Kit to 62-8 Ballcock (MOST TOP ASSEMBLY PARTS ARE NO LONGER AVAILABLE. YOU MUST USE SP-1 KIT TO CONVERT OVER TO 62-8 BALLCOCK)
5	CASP-9	SP-9	Diverter Valve Parts
6	CASP-11	SP-11	62-66 Jet Pump Kit

\*FOR OTHER PARTS & CARDED KITS SEE 62-8 LIST

**LASCO**  
Manufacturing Company

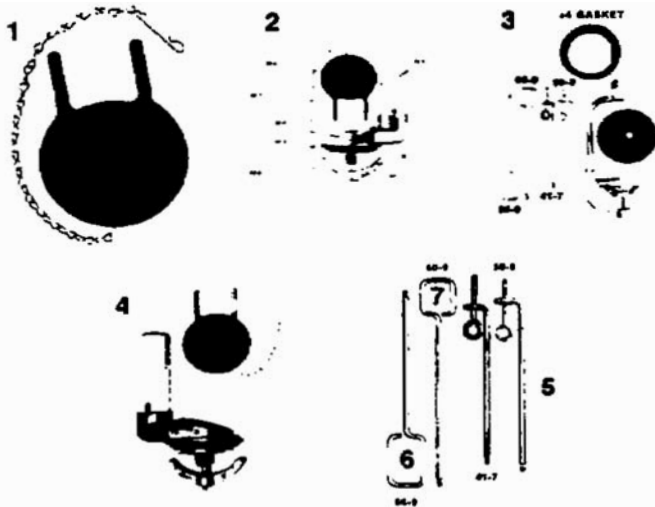
LARSEN SUPPLY COMPANY, INC.



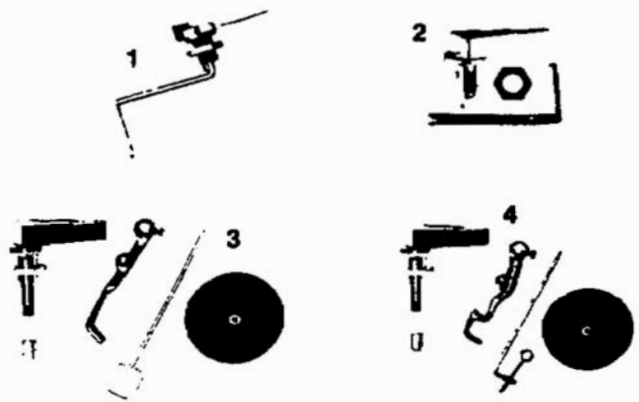


CASE BALLCOCK

OEM TOILET REPAIR PARTS



CASE FLUSH VALVES			
BRIGGS CARDED KITS			
Item No.	Lasco Part No.	OEM	Description
1	CASP-3	5103	Flapper
2	CASP-13	5113	#62 Flush Valve
3	CASP-29	5129	#41, 50, 60, & 66 Flush Valve
4	CASP-88	5188	#75 Flush Valve
INDIVIDUAL ITEMS			
5	CA 9-50	50-9	Swivel Lift Wire
6	CA 9-66	66-9	Brass Lift Wire
7	CA 9-60	60-9	Brass Lift Wire
	04-1514	60-5	Tripple Seal Tank Ball



TANK LEVERS			
Item No.	Lasco Part No.	OEM	Description
1	CASP-6	SP-6	#4300 Tank Lever
2	CASP-7	SP-7	#600C Tank Lever
3	CASP-27	SP-27	#60 Tank Lever
4	CASP-28	SP-28	#50 Tank Lever



#75 PLASTIC DIVERTER VALVE			
Item No.	Lasco Part No.	OEM	Description
1	CASP-30	SP-30	Valve Body Assembly Complete

CASE #41 BLUE, PINK & GREEN BALLCOCK

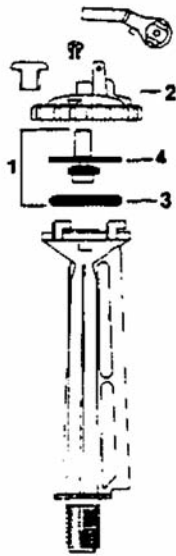
**LASCO**  
Manufacturing Company

LARSEN SUPPLY COMPANY, INC.

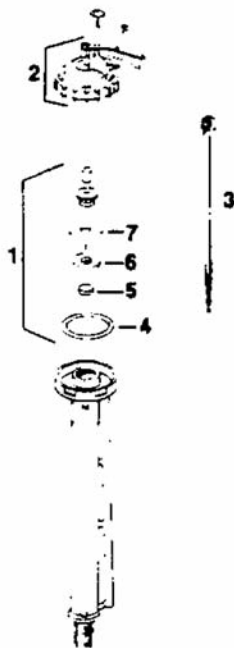


COAST BALLCOCK

OEM TOILET REPAIR PARTS



MARK II COAST BALLCOCK			
Item No.	Lasco Part No.	OEM	Description
1	04-7177	55074	Plastic Piston & Washer Set Top Assembly with Plastic Adjustable Float Rod New Style
2	04-7179	71766	
3	02-2976	71236	Seal Ring Bulk
4	02-2960		1.75 O.D. Diaphragm



MARK III COAST BALLCOCK			
Item No.	Lasco Part No.	OEM	Description
1	04-7189	55114	Piston & Washer Set Top Assembly For Brass Rod Top Assembly with Plastic Rod
2	04-7197 04-7191	71636 71646	
3	04-3511	2502	Adjustable Float Rod & Nut
4	02-2978	71246	Seal Ring Bulk
5	02-2860		Seat Washer
6	02-2950		1.07 O.D. Diaphragm
7	02-2954		1.34 O.D. Thin Diaphragm

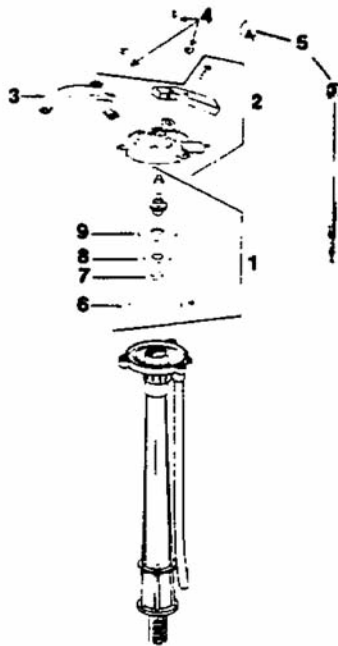
**LASCO**  
Manufacturing Company

LARSEN SUPPLY COMPANY, INC.



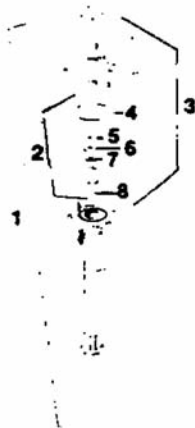
COAST BALLCOCK

OEM TOILET REPAIR PARTS



1B1 COAST BALLCOCK			
Item No.	Lasco Part No.	OEM	Description
1	04-7184 04-7185	5501	Plastic Piston & Washer Set Same Carded
2	04-7187 04-7193	70196 71666	Brass Piston & Washer Set Top Assembly For Plastic Refill Tube
	04-7181	71676	Top Assembly For Copper Refill Tube
3	04-7195	7153	Spider Top Only
4	XS-554		Screws For Brass Ballcock
5	04-3511	2502	Adjustable Float Rod with Nut
6	02-2974 02-2972	71276 71226	Seal Ring Bulk Plastic B/C Seal Ring Bulk Brass B/C
	02-2860		Seat Washer
8	02-2952		1.25 O.D. Diaphragm
9	02-2958		1.50 O.D. Diaphragm

Parts also are for Mark IV Ballcock.



1B1X COAST BALLCOCK			
Item No.	Lasco Part No.	OEM	Description
1	04-4164	10174	Complete Retro-Fit Unit
2	04-7183	55214	Piston & Washer Set
3	04-7175	71866	Top Assembly with Piston Assembly & Screws (No Seal Ring)
4	02-2974	71276	Seal Ring Bulk
5	02-2958		1.50 O.D. Diaphragm
6	02-2956		1.35 O.D. Thick Diaphragm
7	02-2950		1.07 O.D. Diaphragm
8	02-2860		Seat Washer

NOTE: Ballcock is used by many one piece toilets manufactured by: American Standard, Briggs, Crane, Eljer, Kohler, Norris, Universal Rundle.

**LASCO**  
Manufacturing Company

LARSEN SUPPLY COMPANY, INC.

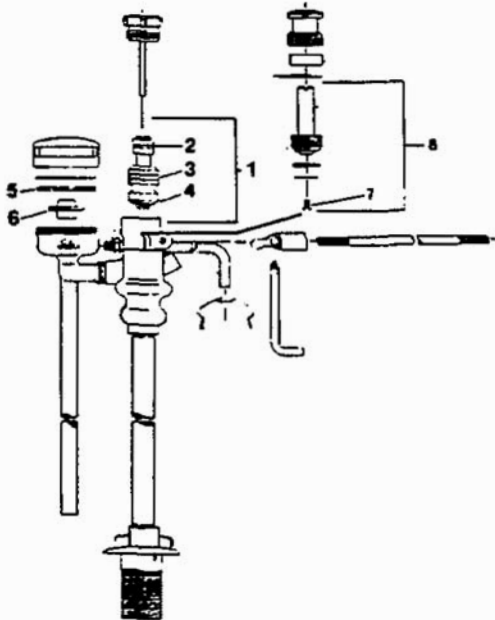


ELJER

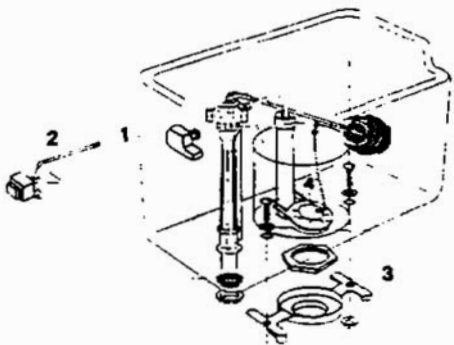
OEM TOILET REPAIR PARTS



ELJER BALLCOCK 9010/9015			
Item No.	Lasco Part No.	OEM	Description
1	02-2874	6054	Diaphragm
2	X-228	6400	Seat 7/16-20
3	XS-553	5828	Top Assembly Screw 3/8-10-24
4		5368	Gasket
5		5365	Nylon Gate
6	04-7125	5830	Refill Tube with Adapter
7	04-3502	3400	Float Rod 8"
CARDER KIT			
	04-7089		1 Pc #1, 2, 3 Pc #3



ELJER BALLCOCK 9860/9863			
Item No.	Lasco Part No.	OEM	Description
1	04-7091	4053	Plunger Unit Complete
2		3398	Rubber Cup Washer
3	02-1506	3405	O-Ring
4		2772	Seat Washer
5		5368	Gasket
6		5365	Gate
7		3885	Screw
8		4157	Regulating Stem



ELJER SIDE MOUNT TOILETS			
Item No.	Lasco Part No.	OEM	Description
1	04-1841	2704	Side Trip Lever
2	04-1757	0215	Push Button Side Trip Lever
3		5702	Tank To Bowl Gasket

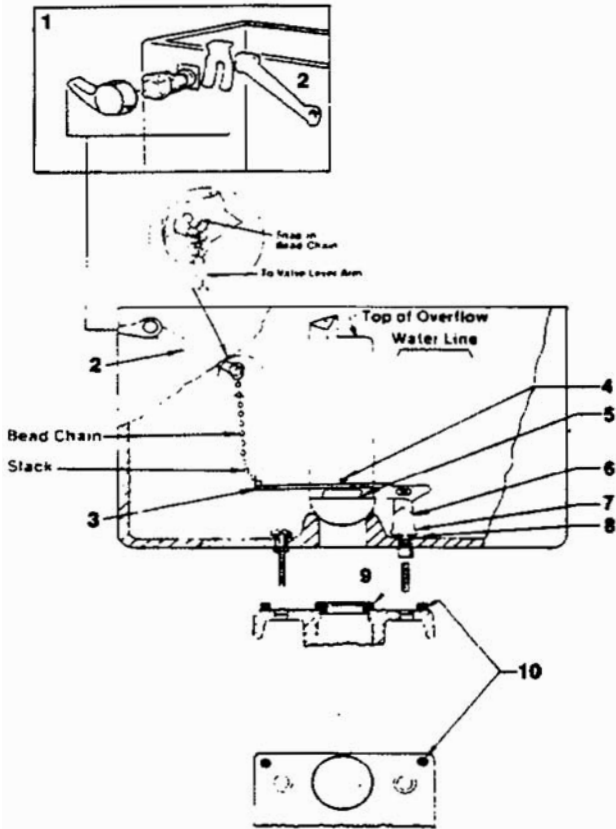
**LASCO**  
Manufacturing Company

LARSEN SUPPLY COMPANY, INC.



ELJER

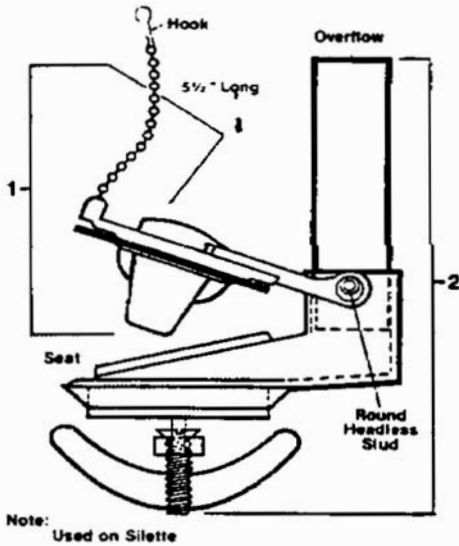
OEM TOILET REPAIR PARTS



TOUCH FLUSH VALVE

Item No.	Lasco Part No.	OEM	Description
1	04-1789	6206	Touch Flush Lever Assembly
2	EL-6199	6199	4" Plastic Lever
3	EL-6508	6508	Lever Arm with Chain
4	XS-560	6511	Screw
5	04-1572	4332	Tank Ball
6	EL-6505	6505	Bracket
7	EL-6504	6504	Bolt
8	04-3824	4331	Rubber Washer
9	02-3136	4333	Tank To Bowl Gasket
10		4334	Leveling Rubber
11	04-1599	6511	Complete Touch Flush Assembly

11 COMPLETE TOUCH FLUSH ASSEMBLY INCLUDES ITEMS 1, 3, 4, 5, 6, 7, & 8



ELJER FLUSH VALVE

Item No.	Lasco Part No.	OEM	Description
1		6031	Plastic Flapper
2		0190	Flush Valve Unit Non Water Saver
		0191	Flush Valve Unit Water Saver

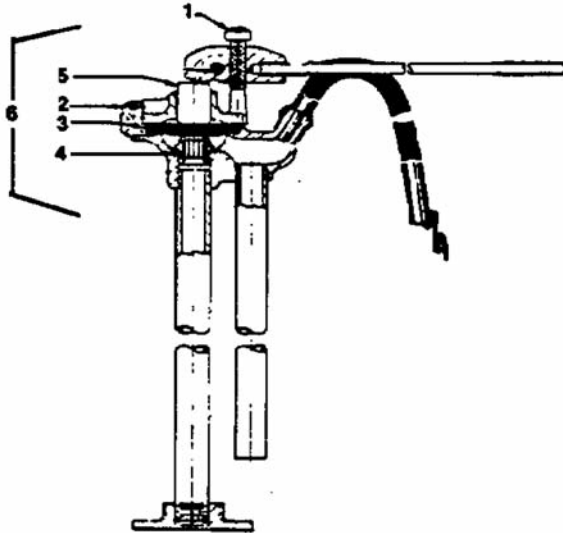
**LASCO**  
Manufacturing Company

LARSEN SUPPLY COMPANY, INC.

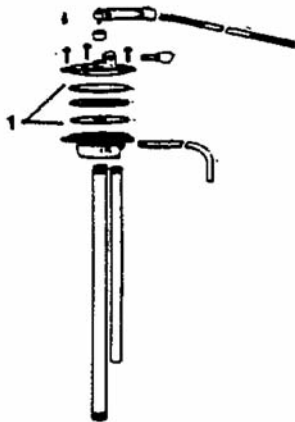




DELTA/FILL PRO BALLCOCKS			
Item No.	Lasco Part No.	OEM	Description
1	04-4070	RPF95A	Adjustable Ballcock
2	04-4100	216	Regular Fill Pro
3	04-4102	516	Anti-Syphon Ballcock
	04-7199	RPF97	Replacement Disc



CRANE DIAPHRAGM BALLCOCKS			
Item No.	Lasco Part No.	OEM	Description
1	XS-580	F-13055	Adjusting Screw 7/8 x 10-32
2	XS-558	F-12971	Bonnet Screw 3/4 x 10-32
3	02-2872	F-12975	Diaphragm
4	X-403	F-12974	Nylon Seat
5		F-13259	Plunger
6	04-7087		Repair Kit Includes 1pc 3, 4, & 5



COLDWATER BRASS BALLCOCK			
Item No.	Lasco Part No.	OEM	Description
1	04-7085		Diaphragm & Plunger Assembly

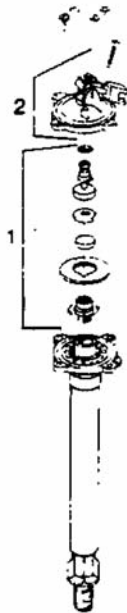
**LASCO**  
Manufacturing Company

LARSEN SUPPLY COMPANY, INC.





FLUIDMASTER 200A OR 400A BALLCOCK			
Item No.	Lasco Part No.	OEM	Description
1	04-7173	350	Top Assembly
2	04-7171	242	Repair Kit
3	04-7165	218	Refill Tube



HOOV-R-LINE/AMERLINE A-50 BALLCOCK			
Item No.	Lasco Part No.	OEM	Description
1	04-7217	11868	Piston Repair Kit with Seat & Screw
2	04-7219 04-7219N	11869-2 930015	Old Style Top Assembly New Style Top Assembly

NOTE: New Style has Overflow on Ballcock. Old Style has Overflow on Top Assembly.

Top Assembly Includes Piston Assembly

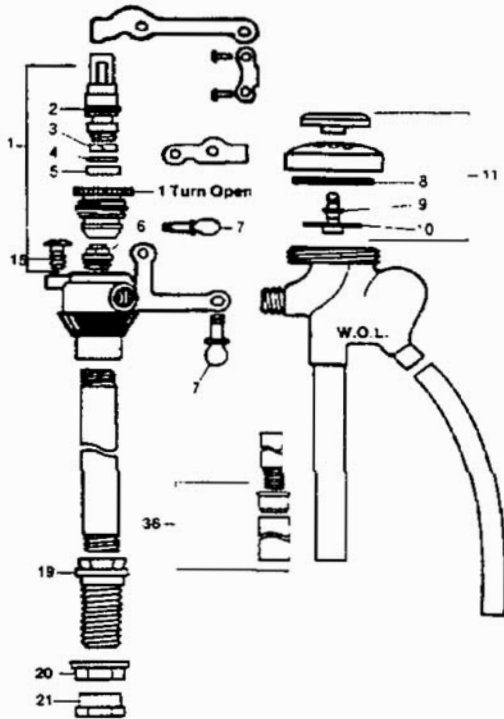
**LASCO**  
Manufacturing Company

LARSEN SUPPLY COMPANY, INC.

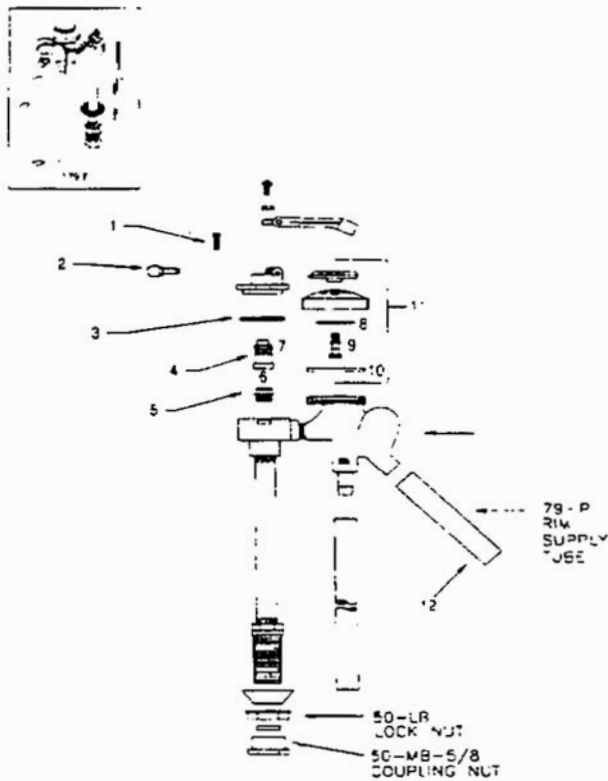


INDIANA BRASS

OEM TOILET REPAIR PARTS



INDIANA BRASS 79 SERIES BALLCOCK FOR BRIGGS, OLD ELJER, CASE & CRANE			
Item No.	Lasco Part No.	OEM	Description
1	04-7255	76-E4	Plunger Assembly with Seat
2	02-1508	81-U	O-Ring
3	02-2806	46-U	Split-Leather
4	02-2850	68-V	Seat Washer
5		68-U	Plunger Cap
6	X-411	79-S	Seat
7	XS-852	81-J	Thumb Screw
8		79-X	Rubber Seal
9		79-M	Cap Pin
10		97-Y	Rubber Washer
11		79-W	Vent Cap Assembly
CARDED KITS			
	04-7255		Plunger Assembly with Seat
COMPLETE BALLCOCK			
	04-4156 04-4172	79-B	Case 50 Replacement Briggs Ballcock



INDIANA BRASS 77E or 79E BALLCOCK FOR ELJER SILETTE			
Item No.	Lasco Part No.	OEM	Description
1	XS-552	97-S	Screw
2	XS-852	81-J	Thumb Screw
3	02-1620	78-Q	O-Ring
4	04-7095	78-E2	Plunger Assembly with Seat
5	X-411	79-S	Nylon Seat
6	02-2850	68-V	Seat Washer
7	02-2962	78-R	Cup Washer
8		79X	Rubber Seal
9		79M	Cap Pin
10		97Y	Rubber Washer
11		79W	Vent Cap Assembly
12		79-R2	Rim Seal
CARDED KITS			
	04-7095		Plunger Assembly with Seat & Screws
	04-4170	79-E	Complete Ballcock

**LASCO**  
Manufacturing Company

LARSEN SUPPLY COMPANY, INC.

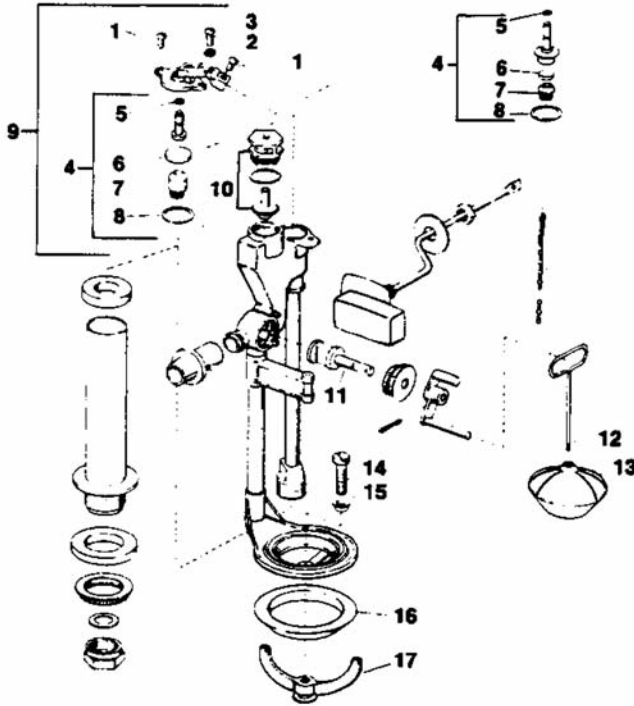




**KOHLER**

**OEM TOILET REPAIR PARTS**

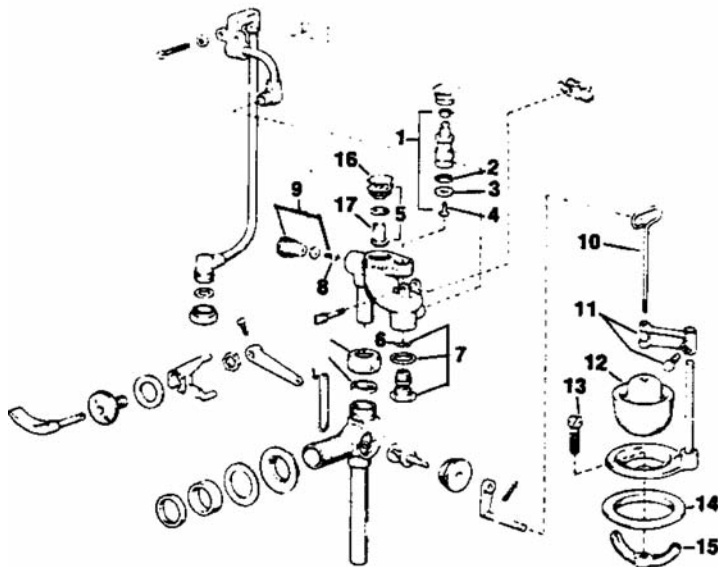
ALTERNATE  
OLD STYLE  
PLUNGER  
ASSEMBLY



**K-9235 BALLCOCK FOR K-3385-EB ROCHELLE**

Item No.	Lasco Part No.	OEM	Description
1	XS-553	49931	Screw
2	XS-802	41517	Nut 10-24
3	XS-512	44598	Screw
4	04-7251 04-7073	51748 30166	Plunger Assembly Old Style Plunger Assembly New Style
5	02-1578	51251	O-Ring
6	02-2866 02-2876	51253 51420	Seat Washer O/S Seat Washer N/S
7	X-207 X-407	51254 51419	Seat O/S Seat N/S
8	02-1858	51250	Gasket
9		30106	Top Assembly & Float Kit
10		30167	Check Plunger & Guide
11		51344	Valve Rotor
12		51444	Lift Wire
13	04-1562	51200	Tank Ball
14		34612	Screw
15		51999	Bushing
16	02-3070	53154	Bevelled Washer
17		34611	Clamp
18		K-9415	Tank Lever Assembly

KITS SAME AS K-9241/9242



**KOHLER BALLCOCK K-9240  
FOR K-3390-EB CHAMPLAIN PRIOR TO 1973**

Item No.	Lasco Part No.	OEM	Description
1	04-7253	51226	Plunger Assembly
2	02-1506	29296	O-Ring
3		51243	Seat Washer
4		34626	Screw
5		30167	Check Guide & Plunger
6	02-1522	32657	O-Ring
7		35773	Seat Sub-Assembly
8	XS-555	29476	Screw
9		35772	Flow Regulator
10		51218	Lift Wire
11	04-3019	51229	Guide Arm with Screw
12	04-1566	51230	Tank Ball
13		34612	Screw
14	02-3070	53410	Beveled Washer
15		34611	Clamp
16		51288	Check Guide
17		51291	Check Plunger & Gasket

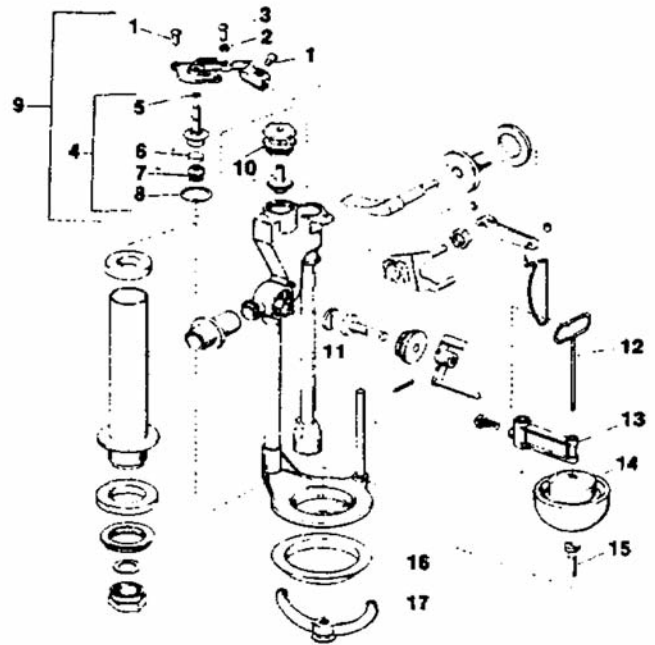
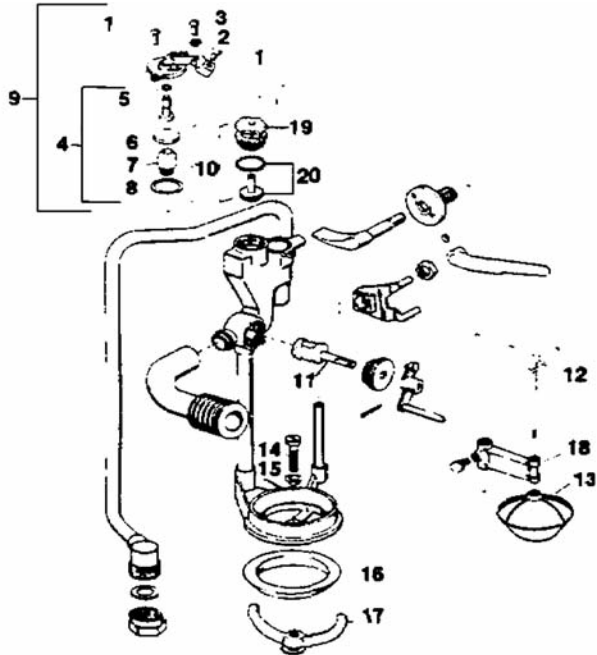
**LASCO**  
Manufacturing Company

**LARSEN SUPPLY COMPANY, INC.**



KOHLER

OEM TOILET REPAIR PARTS



**K-9241 BALLCOCK FOR K-3390-EB CHAMPLAIN**

Item No.	Lasco Part No.	OEM	Description
1	XS-553	49931	Screw
2	XS-802	41517	Nut 10-24
3	XS-512	44598	Screw
4	04-7251	51748	Plunger Assembly Old Style
	04-7073	30166	Plunger Assembly New Style
5	02-1578	51251	O-Ring
6	02-2866	51253	Seat Washer O/S
	02-2876	51420	Seat Washer N/S
7	X-207	51254	Seat O/S
	X-407	51419	Seat N/S
8	02-1858	51250	Gasket
9		30108	Top Assembly & Float Kit
10		30167	Check Plunger & Guide
11		51344	Valve Rotor
12		51218	Lift Wire
13	04-1562	51200	Tank Ball
14		34612	Screw
15		51999	Bushing
16	02-3070	53154	Beveled Washer
17		34611	Clamp
18	04-3019	51229	Guide Arm with Screw
19		51288	Check Guide
20		51291	Check Plunger

**CARDED KITS**

04-7081		Old Style Plunger Repair Includes Items 5,6,7,8
04-7071		New Style Plunger Repair Includes Items 5,6,7,8
04-7251		Old Style Plunger Assembly Includes Items (4)
04-7073		New Style Plunger Assembly Includes Items (4)

**K-9242 BALLCOCK FOR K-3400 POMPTON**

Item No.	Lasco Part No.	OEM	Description
1	XS-553	49931	Screw
2	XS-802	41517	Nut 10-24
3	XS-512	44598	Screw
4	04-7251	51748	Plunger Assembly Old Style
	04-7073	30166	Plunger Assembly New Style
5	02-1578	51251	O-Ring
6	02-2866	51253	Seat Washer Old Style
	02-2876	51420	Seat Washer New Style
7	X-207	51254	Seat Old Style
	X-407	51419	Seat New Style
8	02-1858	51250	Gasket
9		30106	Top Assembly & Float Kit
10		30167	Check Plunger & Guide
11		51344	Rotor
12		51444	Lift Wire
13	04-3019	51229	Guide Arm with Screw
14	04-1566	51230	Tank Ball
15		34612	Screw
16	02-3070	53154	Beveled Washer
17		34611	Clamp

**CARDED KITS**

04-7081		Old Style Plunger Repair Includes Items 5,6,7,8
04-7251		Old Style Plunger Assembly Includes Items (4)
04-7071		New Style Plunger Repair Includes Items 5,6,7,8
04-7073		New Style Plunger Assembly Includes Items (4)
04-7083		New Style Kit Includes Items 4, 20

COMPLETE BALLCOCK 04-4180 K-9242

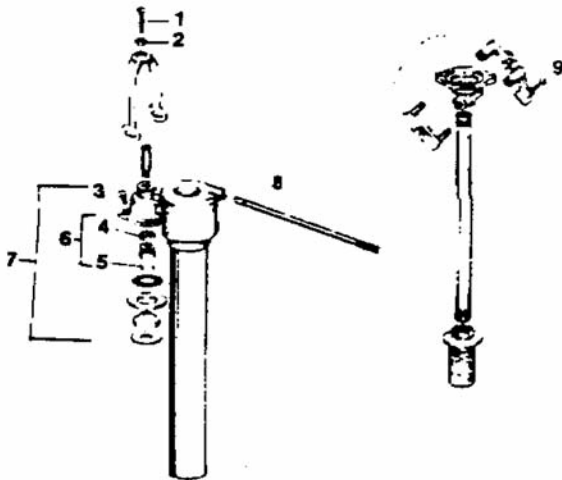
**LASCO**  
Manufacturing Company

**LARSEN SUPPLY COMPANY, INC.**

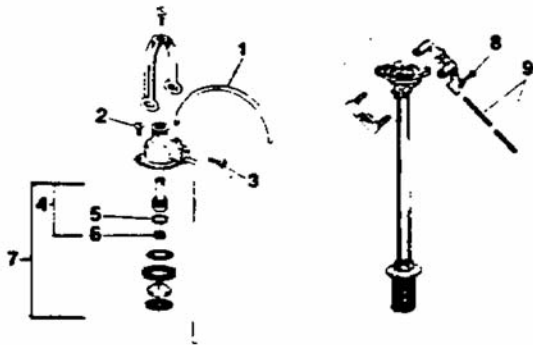


**KOHLER**

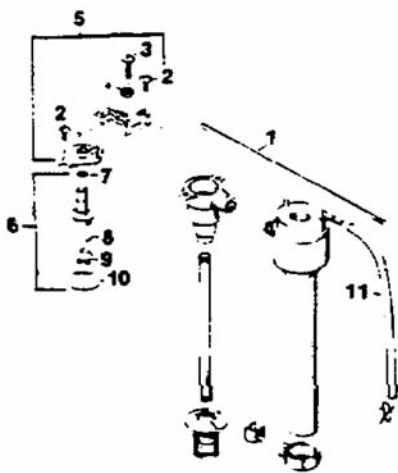
**OEM TOILET REPAIR PARTS**



K-9252 KOHLER BALLCOCK			
Item No.	Lasco Part No.	OEM	Description
1	XS-512	49897	Screw
2	XS-802	41517	Nut
3	XS-553	49896	Screw
4	02-1520	51602	O-Ring
5	02-2842	49830	Seat Washer
6		50010	Seat Retainer Assembly
7	04-7079	30102	Repair Kit with Screws
8	04-7093	43996	Copper Refile Tube
9	XS-554	33625	Screw
10	04-3507	51081	Float Rod
CARDED REPAIR KITS			
	04-7079		Repair Kit with Screws



K-9255 KOHLER BALLCOCK			
Item No.	Lasco Part No.	OEM	Description
1	04-7093	51265	Refile Tube
2	XS-553	49931	Screw
3	XS-555	31490	Screw
4	04-7075	50047	Plunger Assembly
5	02-1520	51602	O-Ring
6	02-2842	49830	Seat Washer
7	04-7077	30104	Repair Kit with Screws
8	XS-554	33625	Screw
9	04-3507	51081	Float Rod
CARDED REPAIR KITS			
	04-7075 04-7077		Plunger Assembly Complete Kit with Screws



K-9262 & K-9268 BALLCOCK			
Item No.	Lasco Part No.	OEM	Description
1	04-3507	51081	Float Rod
2	XS-553	49931	Screw
3	XS-512	49897	Adjusting Screw 7/8 10-24
4	XS-802	41517	Nut 10-24
5		30453	Cap Assembly Brass
		30452	Cap Assembly Plastic
6	04-7251	30100	Plunger Assembly Kit
7	02-1578	51251	O-Ring
8	02-2866	51253	Seat Washer
9	X-207	51254	Seat
10	02-1858	51250	Gasket
11	04-7185	51260	Plastic Refile Tube
CARDED REPAIR KITS			
	04-7081 04-7251		Repair Kit Includes #7,8,9,10 Plunger Assembly Includes #6

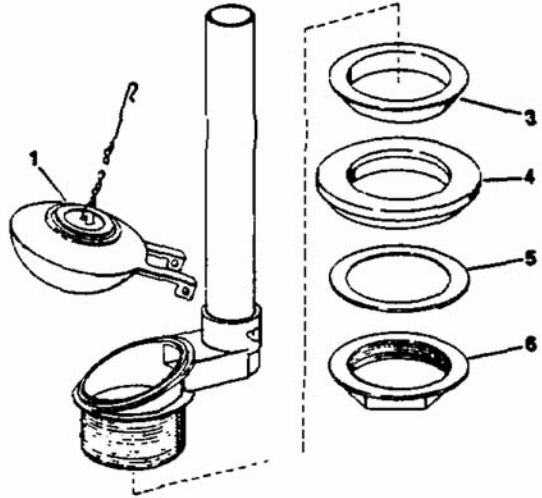
**LASCO**  
Manufacturing Company

**LARSEN SUPPLY COMPANY, INC.**

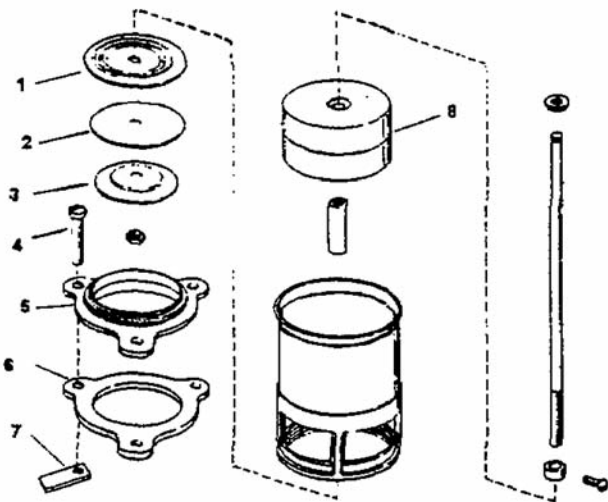


KOHLER

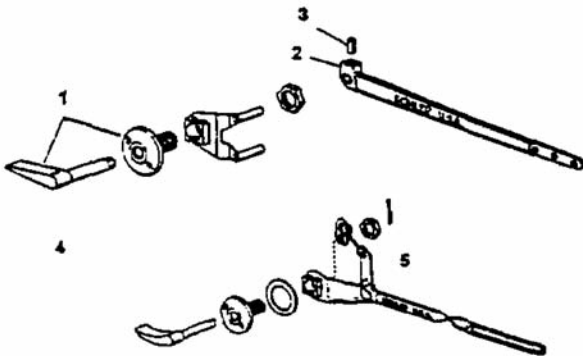
OEM TOILET REPAIR PARTS



K-9354 FLUSH VALVE			
Item No.	Lasco Part No.	OEM	Description
1	04-1583	49114	Heavy Duty Flapper
3	02-3070	53154	Rubber Washer
4	02-3130	51531	Gasket
5	02-2058	50752	Washer
6	03-2028	50751	2" Brass Jam Nut



K-9360 FLUSH VALVE			
Item No.	Lasco Part No.	OEM	Description
1		51113	Disc
2		51105	Leather Washer
3		51114	Metal Washer
4		51106	Bolt
5		51115	Seat
6		51103	Gasket
7		51107	Nut
8		51104	Float



K-9400 TRIP LEVER			
Item No.	Lasco Part No.	OEM	Description
1		K-9417	Lever & Flange
2		51032	Brass Trip Arm
	04-1775		Same Carded
		49411	Plastic Trip Arm
	04-1777		Same Carded
3		51033	Set Screw
4	04-1779	K-9400	Complete K-9400 Carded
5		K-9401	Complete Trip Lever

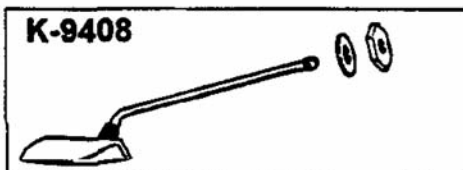
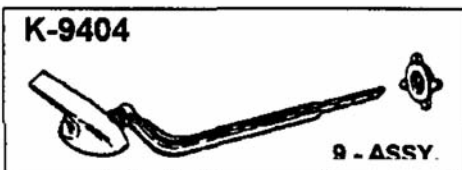
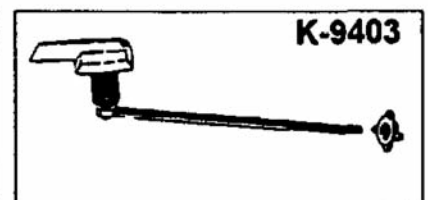
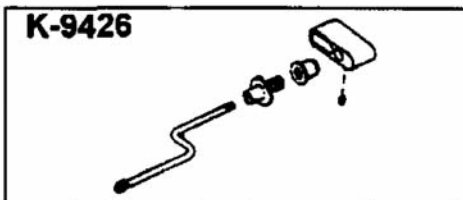
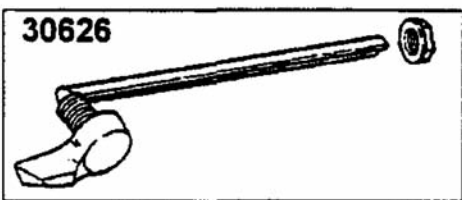
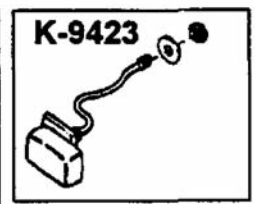
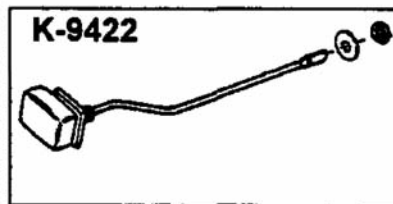
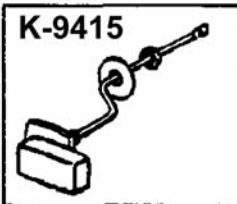
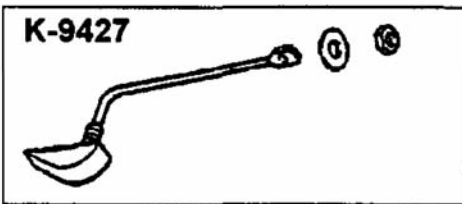
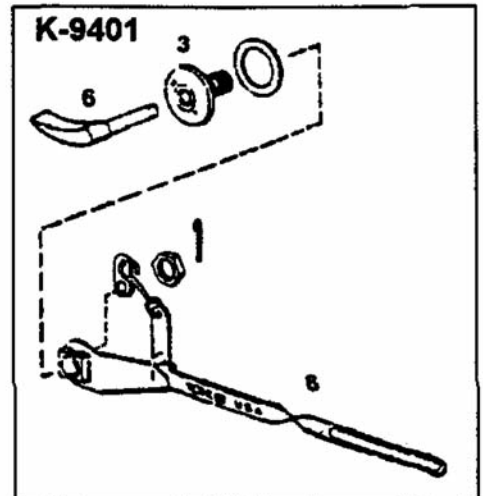
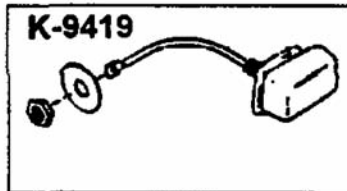
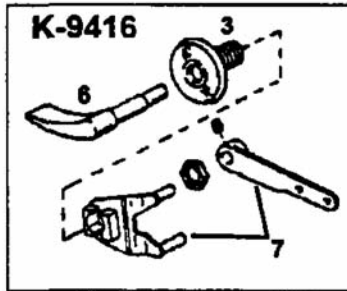
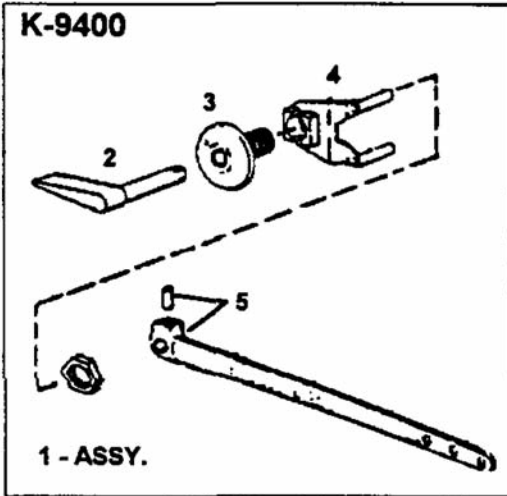
**LASCO**  
Manufacturing Company

LARSEN SUPPLY COMPANY, INC.



KOHLER

OEM TOILET REPAIR PARTS



LASCO NO.	KEY	PART DESCRIPTION	OEM#
04-1779	1	K-9400 Tank Lever	500189
	2	Lever Only	51108
	3	Escutcheon	51109
	4	Support Kit	30284
04-1775	5	Brass Arm	51032
04-1777		Plastic Arm	49411

LASCO NO.	KEY	PART DESCRIPTION	OEM#
	6	Lever Arm	51170
	7	Trip Lever Kit	30454
	8	Trip Arm	30282
04-1803	9	K-9404 Tank Lever	30324

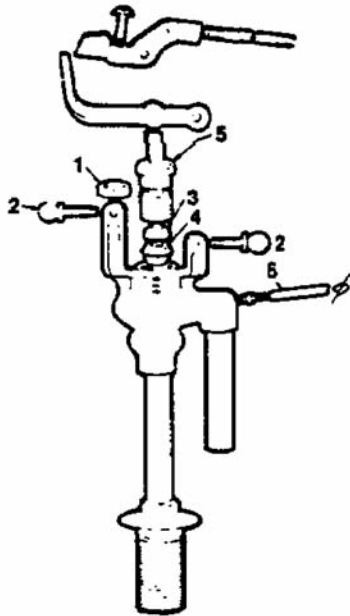
**LASCO**  
Manufacturing Company

LARSEN SUPPLY COMPANY, INC.

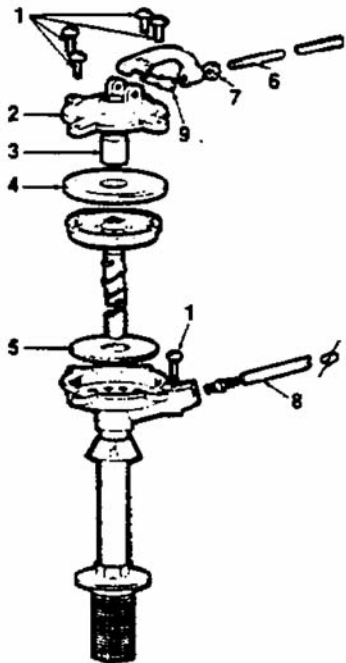


MANSFIELD

OEM TOILET REPAIR PARTS



MANSFIELD 03 BALLCOCK			
Item No.	Lasco Part No.	OEM	Description
1		741-0005	Cup Seal
2	XS-852	735-0325	Thumb Screw
3	02-2866	747-0032	Neoprene Valve Seat
4	X-410	747-0211	Nylon Seat
5	04-7001	123-0936	Plunger Assembly Includes Items #1,3,4
6	04-7125	918-6838	Refil Tube
7	04-3503	714-0418	Float Rod
CARDED KITS			
	04-7001 04-7003		Plunger Assembly with Seat Service Pak Includes Items 1,2,3, & 4



07 MANSFIELD BALLCOCK			
Item No.	Lasco Part No.	OEM	Description
1	XS-559	735-1611	Brass Screw
2		225-2401	Brass Cap
3		660-1416	Nylon Plunger
4	02-2950	342-1038	Upper Diaphragm
5	02-2952	936-2514	Lower Diaphragm
6	04-3503	714-0418	Float Rod
7	XS-802	609-1521	Lock Nut
8	04-7125	918-3008	Refil Tube
9		735-1401	
CARDED KITS			
	04-7011		Repair Kit for 07 Includes #1,3,4,5 & 9

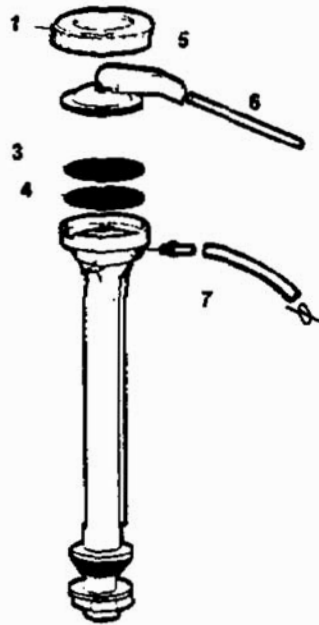
**LASCO**  
Manufacturing Company

LARSEN SUPPLY COMPANY, INC.

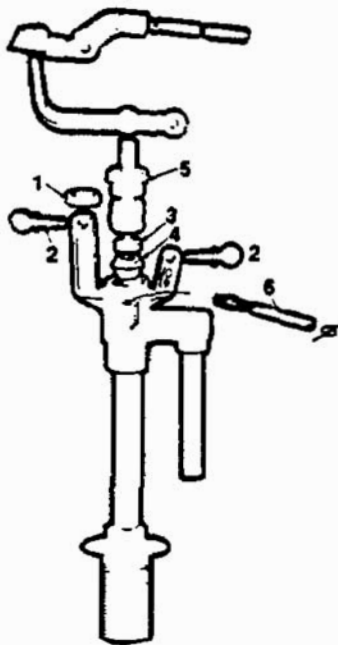


MANSFIELD

OEM TOILET REPAIR PARTS



MANSFIELD 08 BALLCOCK			
Item No.	Lasco Part No.	OEM	Description
1	04-7005	609-5413	Cap Nut
2		660-3716	Plunger
3	02-2954	342-2067	Upper Diaphragm
4	02-2956	936-2069	Lower Diaphragm
5		525-7838	Lever & Cap Assembly
6	04-3503	714-0418	Float Rod
7	04-7125	918-3008	Refill Tube
CARDED KITS			
	04-7005 04-7007		Cap Nut Repair Kit includes items 3. & 4



09 MANSFIELD BALLCOCK			
Item No.	Lasco Part No.	OEM	Description
1		741-0005	Cup Seal
2	XS-852	735-0325	Thumb Screw
3	02-2866	747-0032	Neoprene Valve Seat
4	X-410	747-0211	Nylon Seat
5	04-7009	123-5573	Plunger Assembly Includes items 1,3. & 4
6	04-7125	918-6838	Refill Tube
CARDED KITS			
	04-7009 04-7013		Plunger Assembly with Seat Service Pak includes items 1,2,3. & 4

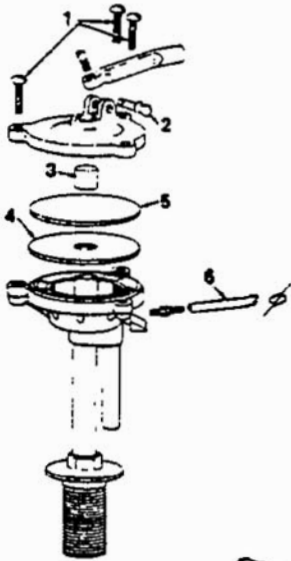
**LASCO**  
Manufacturing Company

LARSEN SUPPLY COMPANY, INC.

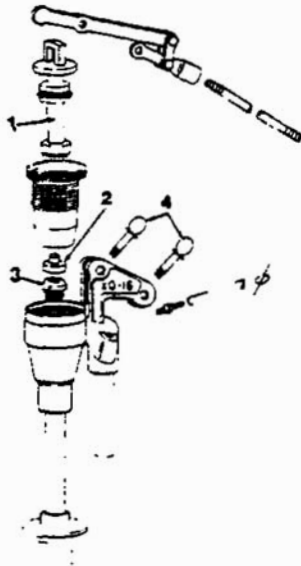


**MANSFIELD**

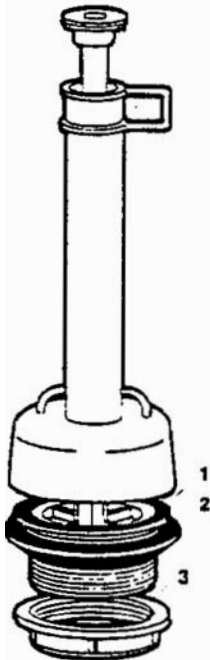
**OEM TOILET REPAIR PARTS**



MANSFIELD 12 BALLCOCK			
Item No.	Lasco Part No.	OEM	Description
1	XS-590	735-5904	Self-Threading Brass Screw
2	XS-852	735-0325	Thumb Screw
3		660-2082	Nylon Plunger
4	02-2958*	342-3887	Upper Diaphragm
5	02-2960*	936-2069	Lower Diaphragm
6	04-7125	918-3008	Refill Tube Assembly
CARDED KITS			
	04-7013		Service Pak For #12 Includes Items #2,3,4, & 5



XG-16 MANSFIELD BALLCOCK			
Item No.	Lasco Part No.	OEM	Description
1		123-6526	Plunger Assembly
2	02-2866	747-0032	Neoprene Valve Seat
3	X-410	747-0211	Nylon Seat
4	XS-582	735-0325	Thumb Screw
CARDED KITS			
	04-7015		Service Pake Includes Items 2,3, & 4



210 WATERSAVER FLUSH VALVE			
Item No.	Lasco Part No.	OEM	Description
1	04-2114	741-0009	Flush Valve Seal
2	02-3070	447-0200	Spud Gasket
3	03-2008	582-1806	2" Locknut

COMPLETE UNIT 04-2108

**LASCO**  
Manufacturing Company

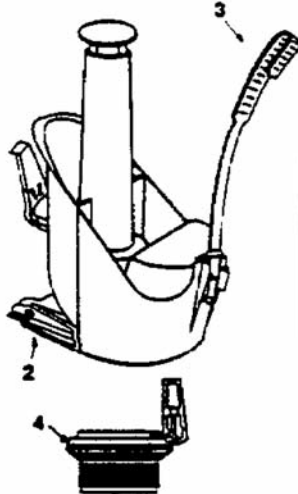
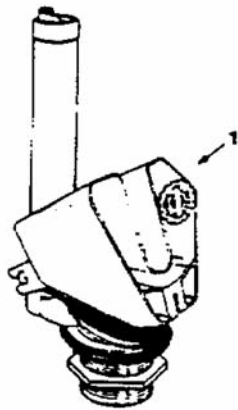
**LARSEN SUPPLY COMPANY, INC.**



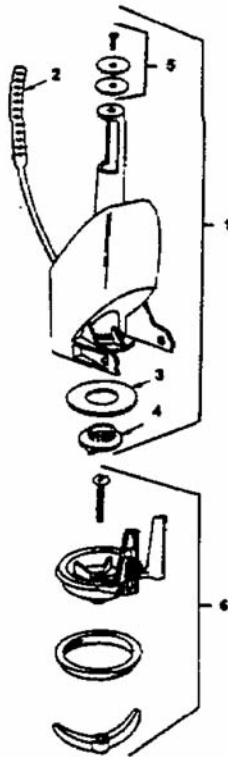


UNIVERSAL RUNDLE

OEM TOILET REPAIR PARTS

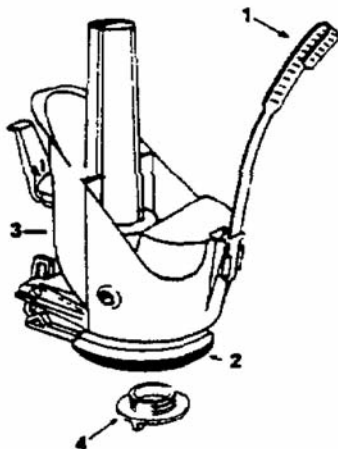


374 FLUSH VALVE			
Item No.	Lasco Part No.	OEM	Description
1	UR-222	222	John Boy Cup
2	UR-374	374	Flush Valve
3	UR-393	393	11½" Strap
4	URA-244	268	Plastic Valve Seat



259 FLUSH VALVE			
Item No.	Lasco Part No.	OEM	Description
1	04-2261	259	Tilt Valve Assembly
2	04-2122	267	Long Strap
	04-2124	A775	Short Strap
3	04-2120	263	Rubber Seat Disc
4	URA-248	264	Screw Plug
5	URA-249	A249	Caps & Screw
6	URA-243	258	Seat & Pinion

CARDED KITS		
Item No.	Lasco Part No.	Description
	04-2261	Complete Tilt Valve Assembly Strap & Seat Disc (Long Strap)
	04-2275	



278 FLUSH VALVE			
Item No.	Lasco Part No.	OEM	Description
1	04-2122	267	Long Strap
2	04-2120	263	Seat Disc
3	04-2271	278	Tilt Valve Assembly
4		268	Gasket Holder

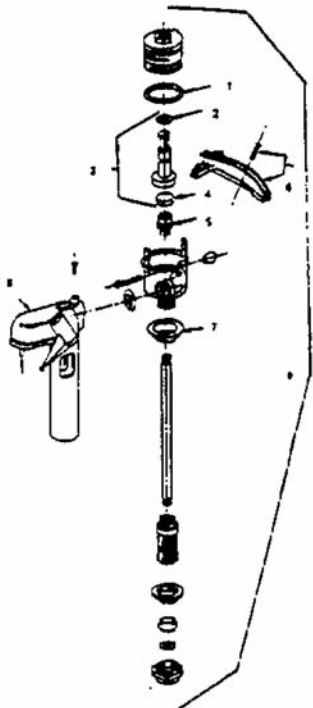
**LASCO**  
Manufacturing Company

LARSEN SUPPLY COMPANY, INC.

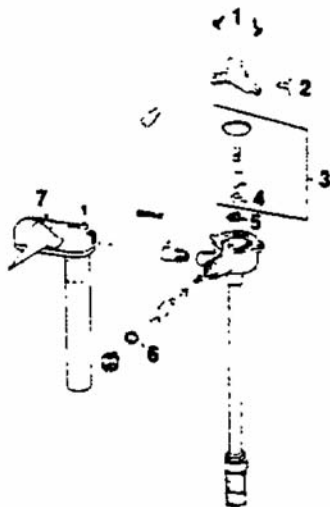


UNIVERSAL RUNDLE

OEM TOILET REPAIR PARTS



UNIVERSAL RUNDLE 190 & 191 BALLCOCK WITH 197 DIVERTER			
Item No.	Lasco Part No.	OEM	Description
1	02-1542	A751	O-Ring
2	02-1508	A752	O-Ring
3	04-7247	A754	Plastic Plunger Assembly with Seat
4	02-2852	A753	Seat Washer 11/16 x 3/16
5	X-409*	A755	Seat
6		A757	Fulcrum Arm
7	02-2880	A334	Gasket
8	04-4178	197	Diverter Valve
9	04-4174		Complete Ballcock
CARDED KITS			
	04-7247		Plunger Assembly includes Items #1, 2, 3, 4, & 5



UNIVERSAL RUNDLE 192 BALLCOCK WITH 197 DIVERTER			
Item No.	Lasco Part No.	OEM	Description
1	XS-852	A304	Screws
2	XS-852	A219	Thumb Screw
3	04-7249	A317	Plunger Assembly with Seat
4	02-2852	A332	Seat Washer
5	X-408	A373	Seat Was Nylon Now Brass
6	02-1506	A229	O-Ring
7	04-4178	197	Diverter
CARDED KITS			
	04-7249		Plunger Assembly with Seat & Screws

Complete Ballcock P-192 is Discontinued. Use 04-4174

**LASCO**  
Manufacturing Company

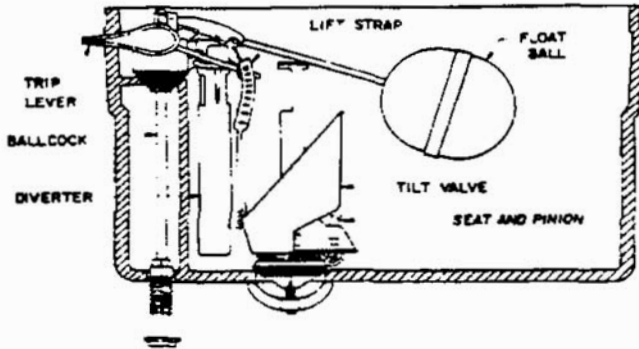
LARSEN SUPPLY COMPANY, INC.



UNIVERSAL RUNDLE

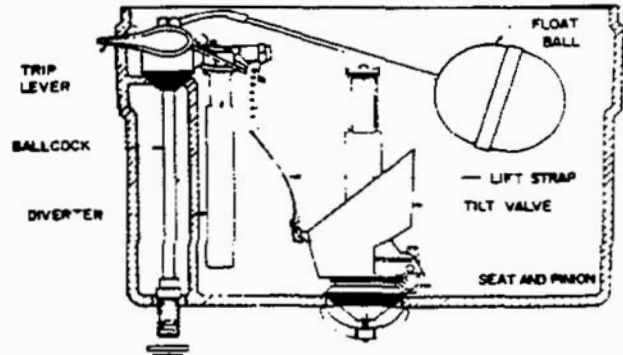
OEM TOILET REPAIR PARTS

**Drawing Reference Number 1**  
Model Number 4015



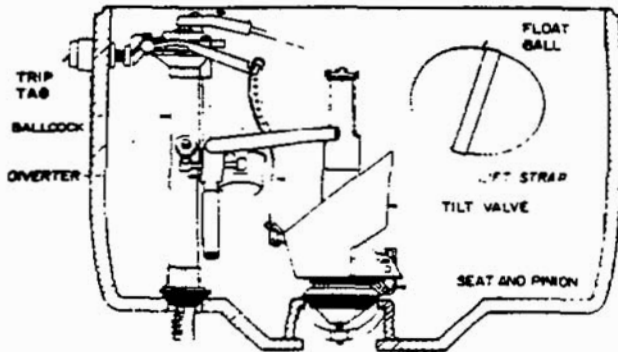
Component Description	Part Number	Lasco Number
Ballcock	191	04-4174
Diverter	197	04-4178
Flush Valve	258/259	04-2261
Trip Lever	331	04-1807

**Drawing Reference Number 2**  
Model Number 4014/4016



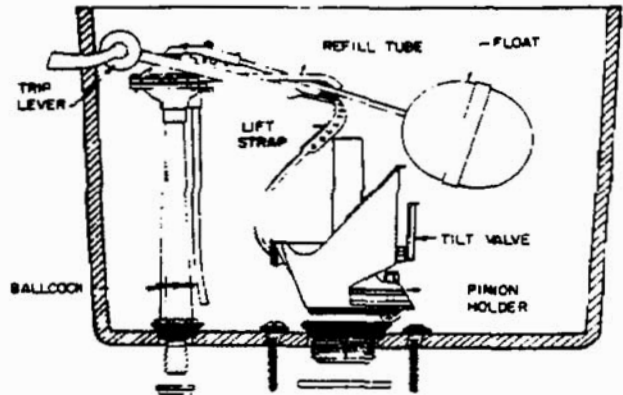
Component Description	Part Number	Lasco Number
Ballcock	192	04-4174
Diverter	197	04-4178
Flush Valve	258/259	04-2261
Trip Lever	331	04-1807

**Drawing Reference Number 3**  
Model Number 4019



Component Description	Part Number	Lasco Number
Ballcock	160	04-4164
Diverter	167	
Flush Valve	258/260	04-2261
Trip Lever	345	

**Drawing Reference Number 4**  
Model Number 4435/4437/4458



Component Description	Part Number	Lasco Number
Ballcock	203	04-4032
Diverter	-	-
Flush Valve	278	04-2271
Trip Lever	315	04-1765

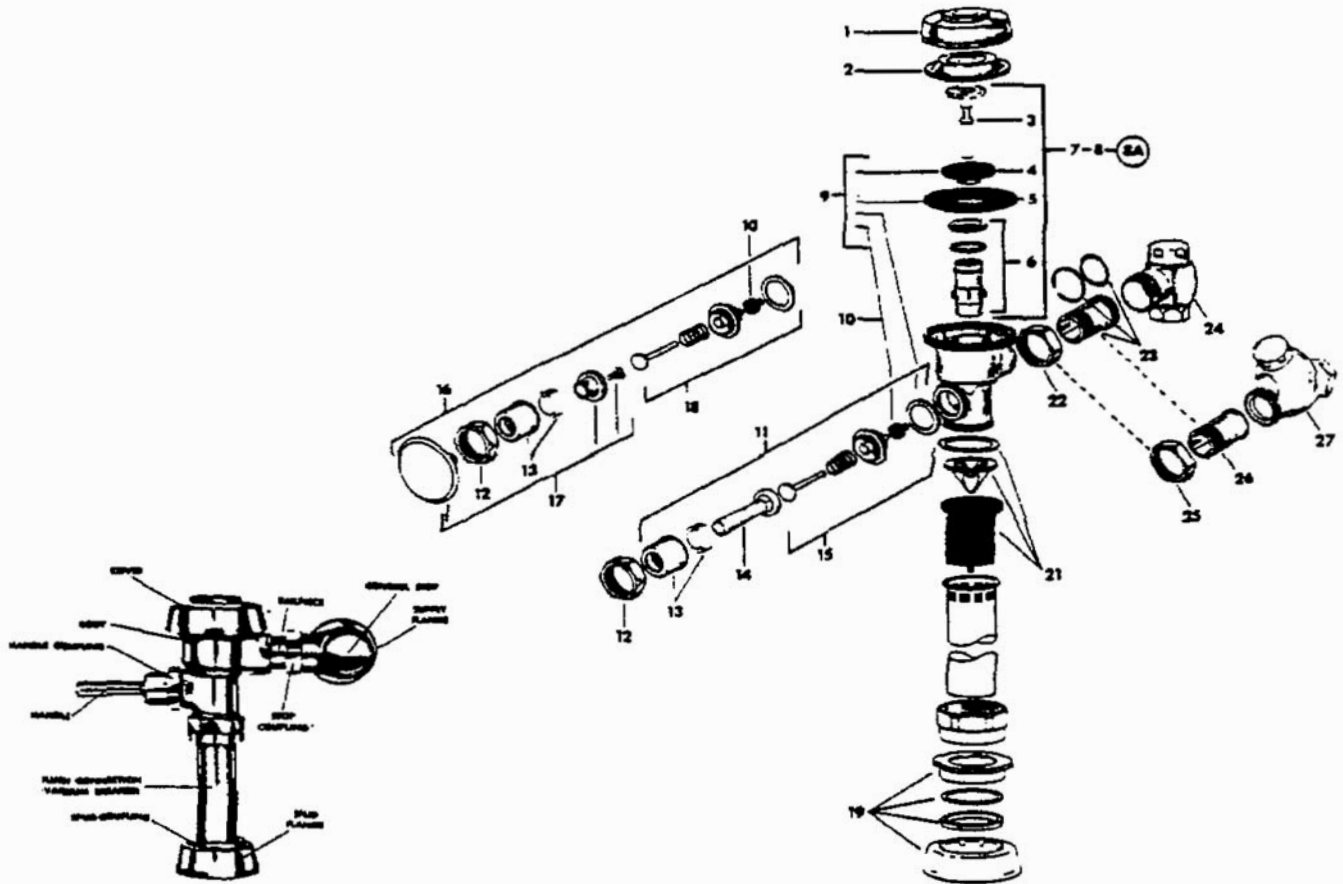
**LASCO**  
Manufacturing Company

LARSEN SUPPLY COMPANY, INC.



SLOAN

FLUSHOMETER REPAIR PARTS



SLOAN PARTS				
Item #	Lasco Bulk	Lasco Carded	OEM	Description
1	SL0301172		A-72	C.P. Cover
2	SL0301168		A-71	Inside Cover
3	SL3301058	04-9017	A-19-AC	Closet Valve
	SL3301059	04-9019	A-19-AU	Urinal Valve
4	SL0301111		A-15-A	Retainer Disc
5	SL3301188	04-9015	A-156-A	Diaphragm
6	SL3301236		A-163-A	Guide
	SL0301257		A-163-A	Water Saver Urinal
	SL0301258		A-163-A	Water Saver Closet
7	SL3301036	04-9003		Closet Inside Parts
	SL3301037	04-9001		Urinal Inside Parts
	SL3301038	04-9005		Water Saver Inside Parts
8	SL3301139		A-31	Handle Gasket
9	SL3301189	04-9011	A-156-AA	Diaphragm Assembly
10	SL3302297		B-39	Handle Seal
11	SL3302279	04-9007	B-32-A	Handle Assembly
12	SL0301082		A-6	Handle Nut
13			B-7-A	Handle Socket
14	SL3302274		B-32	Handle Grip
15	SL3302305	04-9009	B-50-A	Handle Repair Kit
16			C-42-A	Push Button Assy.
17			3303347	Push Button Kit
18			C-64-A	Push Button Kit

SLOAN PARTS CONTINUED				
Item #	Lasco Bulk	Lasco Carded	OEM	Description
19	SL0306125		F-5-A	3/4" Spud Coupling
	SL0306132		F-5-A	1"
	SL0306140		F-5-A	1 1/4"
	SL0306146		F-5-A	1 1/2"
20	SL0306052		F-5-A	3/4" Outlet Coupling
			F-2-A	1"
			F-2-A	1 1/4"
			F-2-A	1 1/2"
21	SL3323192	04-9013	H550	Vacuum Breaker
22	SL0308676			Stop Coupling
23	SL0308801		H-551-A	2 1/16" CP Nipple
	SL0308803		H-551-A	3 1/16" CP Nipple
	SL0308805		H-551-A	4 1/16" CP Nipple
	SL0308807		H-551-A	5 1/16" CP Nipple
	SL0308809		H-551-A	6 1/16" CP Nipple
24	SL0308724		H-600-A	3/4" Screw Driver
				Angle Stop
	SL0308734		H-600-A6	3/4" Angle Stop
				Wheel Handle
	SL0308757		H-600-A	1" Screw Driver
				Angle Stop

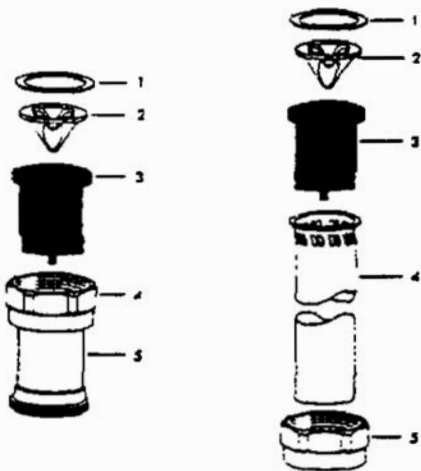
**LASCO**  
Manufacturing Company

LARSEN SUPPLY COMPANY, INC.

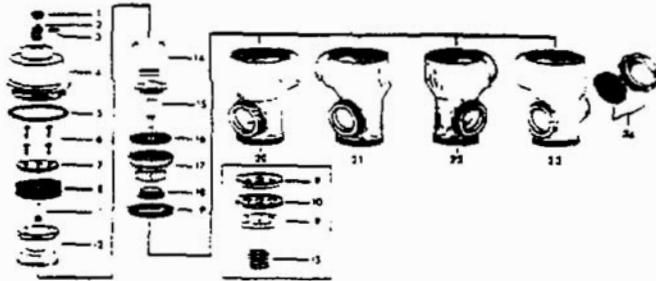


SLOAN

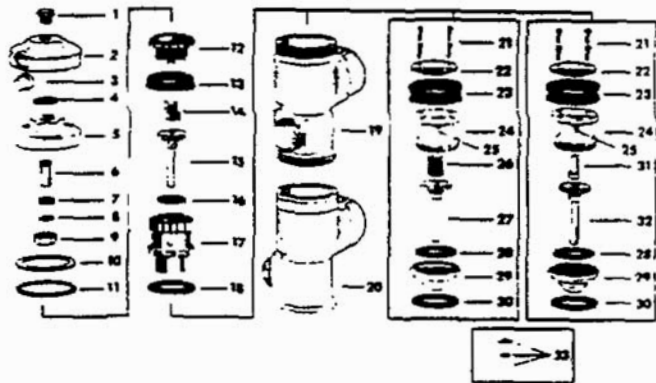
FLUSHOMETER REPAIR PARTS



V-500-AA VACUUM BREAKER ASSEMBLY			
Bulk	Carded	OEM	Description
SL0323007	04-9021	0323005	3/4" x 9"
SL0323006		0323006	1 1/4" x 9"
SL0323005	04-9025	0323007	1 1/2" x 9"
SL0323210		0323210	3/4" x 15"
SL0323017		0323017	1 1/2" x 15"
V-500-A VACUUM BREAKER			
SL0323010		0323010	Old Style Vacuum Breaker



CROWN VALVE PISTON ASSEMBLY			
Item No.	Lasco Part No.	OEM	Description
6-19	SL3311056	K-60-A	Closet Kit
6-19	SL3319025	S-60-AU	Urinal Kit
CROWN VALVE PARTS			
9	SL3319045	S-14	CVP Leather Molded Cup
8	SL3319046	S-14-A	Molded Cup Repair Kit
	SL3319049	S-14-AA	Repair Kit Crown/Naval



GEM VALVE PARTS			
Item No.	Lasco Part No.	OEM	Description
23	SL3307039	G-14	Molded Cup Repair Kit
4, 10, 11, 18, 23, 28, G-35 & B-39	SL3307040	G-14-AA	

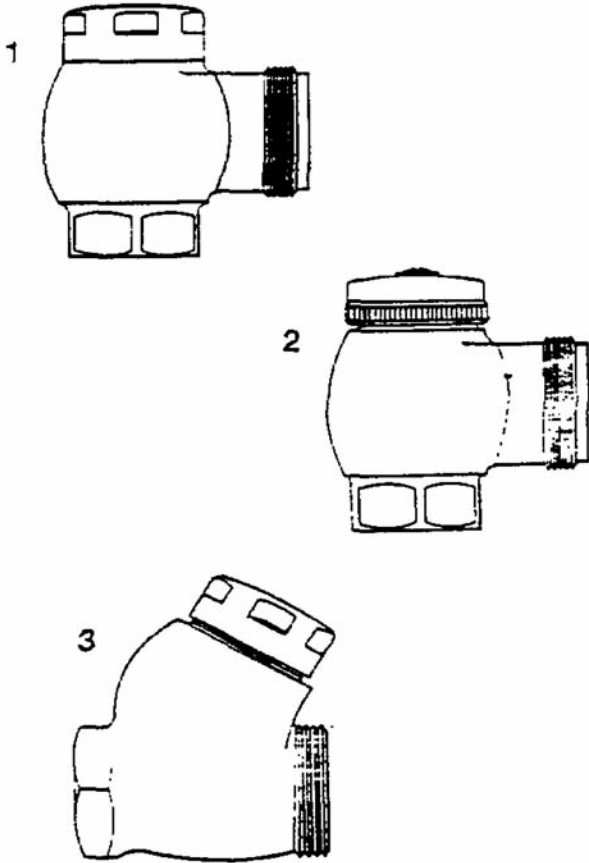
**LASCO**  
Manufacturing Company

LARSEN SUPPLY COMPANY, INC.

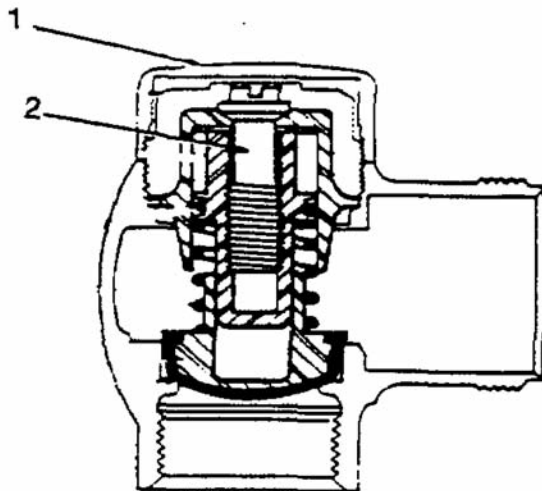


SLOAN

FLUSHOMETER REPAIR PARTS



ANGLE STOPS				
Line #	Size	Lasco #	OEM	Description
1	3/4"	SL0308724		H-600-A Screw Driver Stop For Adj. Nipple
	1"	SL0308757		
	3/4"	SL0308891		H-600-AG Screw Driver Stop For G.J. Nipple
2	1"		0308893	For G.J. Nipple
	3/4"		0308889	H-600-AG Wheel Handle Stop
	1"		0308881	For Adj. Nipple
3	3/4"	SL0308734		H-600-AG Wheel Handle Stop For G.J. Nipple
	1"		0308890	For G.J. Nipple
	1"	SL0308884		H-650-AG Straight Stop



ANGLE STOP PARTS				
Line #	Bulk #	Carded	OEM	Description
1	SL0308848		H-582	3/4" CP Cap
	SL0308840		H-573	1" CP Cap
	SL3308156		H-37	3/4" or 1" Old Style
	SL3308866		H-574	CP Cap w/rubber Bumper
2	SL3308858	04-9031	3308856	3/4" Screw Stop Repair Kit
	SL3308853	04-9033	3308853	1" Screw Stop Repair Kit
	SL3308858		3308858	3/4" Wheel Handle Repair Kit
	SL3308855		3308855	1" Wheel Handle Repair Kit
	SL3308442		H-440-AG	3/4" Old Style Repair Kit
	SL3308453		H-440-AG	1" Old Style Repair Kit
	SL3308277		H-40-AG	3/4" or 1" O/S Repair Kit

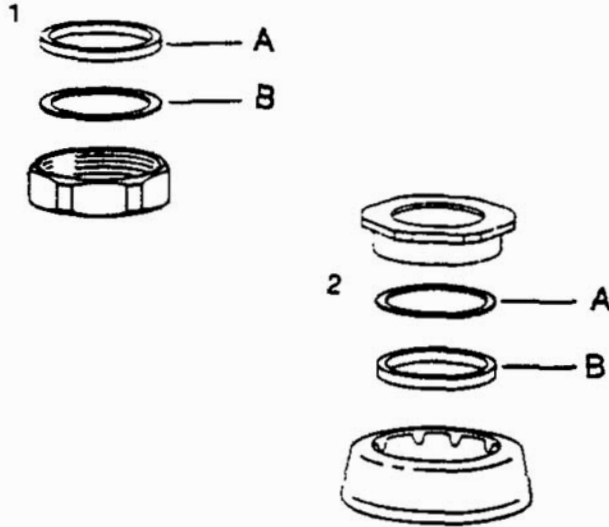
**LASCO**  
Manufacturing Company

LARSEN SUPPLY COMPANY, INC.

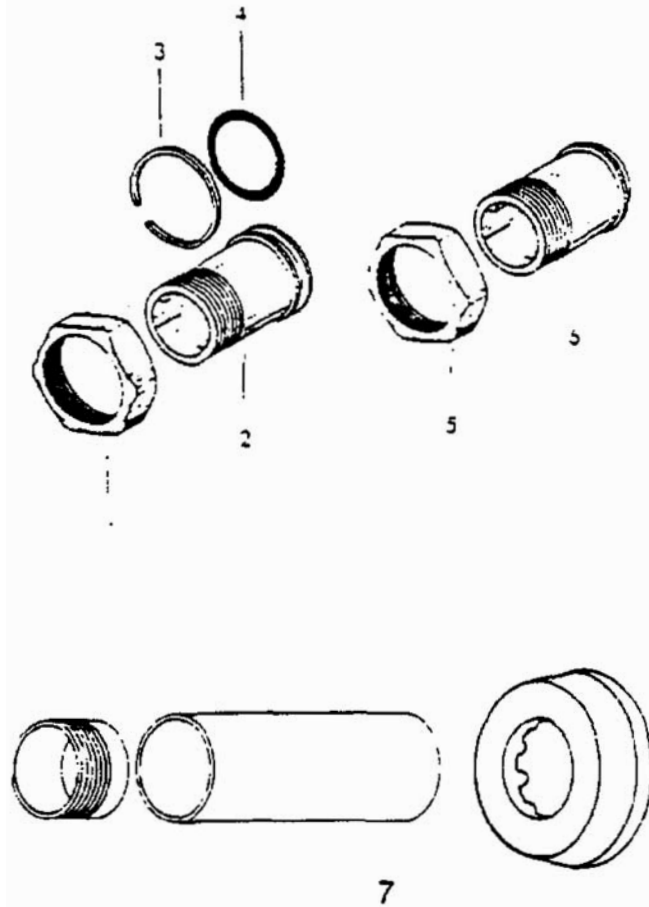


SLOAN

FLUSHOMETER REPAIR PARTS



SPUD COUPLING ASSEMBLIES				
Line #	Size	Lasco #	OEM	Description
1	3/4"	SL0306052	0306052	F-2-A Old Style
	1"		0306077	F-2-A Old Style
	1 1/4"		0306059	F-2-A Old Style
A	1 1/2"	SL0306092	0306092	F-2-A Old Style
	3/4"	SL3306113		F-5 S.J. Washer
B	3/4"	SL3306055		F-3 Friction Ring
	1"		0306056	F-3 Friction Ring
2	1 1/4"	SL3306057		F-3 Friction Ring
	1 1/2"	SL3306058		F-3 Friction Ring
	3/4"	SL0306125		F-3 Friction Ring
2	1"	SL0306132		F-5-A New Style
	1 1/4"	SL0306140		F-5-A New Style
	1 1/2"	SL0306146		F-5-A New Style



TAILPIECE/NIPPLES				
Line #	Size	Lasco #	OEM	Description
1		SL0308676	H-550	C.P. Nut
2	2 1/16"	SL0308801	H-551	Adjustable Tailpiece/Nipple
		SL0308803	H-551	Adjustable Tailpiece/Nipple
		SL0308805	H-551	Adjustable Tailpiece/Nipple
		SL0308807	H-551	Adjustable Tailpiece/Nipple
		SL0308809	H-551	Adjustable Tailpiece/Nipple
		SL3308381	H-552	Lock Ring
3		02-1586	0308696	O-Ring
4			0308063	H-6 Coupling Nut
5			0308026	H-5 G.J. Tailpiece
6	1 3/4"		0308034	H-5 G.J. Tailpiece
7	2 3/4"			H-5 G.J. Tailpiece
	3/4"	SL3306786	H-536-A3	Sweat Solder

**LASCO**  
Manufacturing Company

LARSEN SUPPLY COMPANY, INC.



# TOILET REPAIR

ITEM	PAGE	ITEM	PAGE	ITEM	PAGE	ITEM	PAGE
02-1506	04-18	02-3056P	04-8	02-3309	04-20B	04-1586	04-1
02-1530	04-18	02-3057	04-8	03-1840	04-18	04-1586P	04-1
02-1550	04-18	02-3058	04-8	03-1840P	04-18	04-1587	04-1
02-1578	04-15	02-3059	04-8	03-1843	04-18	04-1588	04-2
02-1754	04-20B	02-3060	04-8	03-1880	04-18	04-1589	04-2
02-1890	04-17	02-3060P	04-8	03-1912	04-18	04-1591	04-1
02-2070	04-6	02-3061	04-8	03-1940	04-6	04-1592	04-1
02-2071	04-6	02-3062	04-6	03-1940	04-18	04-1594	04-1
02-2812	04-17	02-3063	04-6	03-1943	04-6	04-1595	04-1
02-2812P	04-17	02-3064	04-6	03-1947	04-18	04-1596	04-1
02-2820	04-17	02-3066	04-6	03-1951	04-18	04-1597	04-2
02-2840	04-17	02-3070	04-6	03-2004	04-18	04-1599	04-5
02-2844	04-17	02-3070P	04-6	03-2007	04-18	04-1601	04-1
02-2844P	04-17	02-3071	04-6	03-2008	04-6	04-1601-1	04-1
02-2846	04-17	02-3072	04-6	03-2008	04-18	04-1603	04-1
02-2848	04-17	02-3073	04-6	03-2011	04-6	04-1603-1	04-1
02-2850	04-17	02-3074	04-6	03-2011	04-18	04-1605	04-6
02-2850	04-18	02-3110	04-7	03-2028	04-18	04-1607	04-1
02-2860	04-16	02-3120	04-7	03-2029	04-18	04-1631	04-2
02-2860	04-17	02-3120P	04-7	04-1512	04-1	04-1753	04-3
02-2860P	04-16	02-3121	04-7	04-1513	04-1	04-1757	04-3
02-2860P	04-17	02-3122	04-7	04-1514	04-1	04-1757	04-3
02-2866	04-17	02-3122P	04-7	04-1515	04-1	04-1759	04-3
02-2866P	04-17	02-3123	04-7	04-1516	04-1	04-1761	04-4
02-2868	04-17	02-3124	04-7	04-1517	04-1	04-1762	04-3
02-2870	04-15	02-3124P	04-7	04-1518	04-1	04-1763	04-3
02-2870	04-17	02-3126	04-7	04-1518	04-1	04-1763	04-3
02-2870P	04-17	02-3126P	04-7	04-1519	04-1	04-1764P	04-3
02-2880	04-18	02-3128	04-7	04-1525	04-2	04-1765	04-3
02-2880P	04-18	02-3130	04-7	04-1526	04-2	04-1767	04-3
02-2881	04-18	02-3132	04-7	04-1527	04-2	04-1769	04-3
02-2888	04-18	02-3132P	04-7	04-1528	04-1	04-1771	04-3
02-2888P	04-18	02-3133	04-7	04-1529	04-1	04-1771	04-4
02-2900	04-18	02-3136	04-7	04-1530	04-1	04-1773	04-3
02-2904	04-18	02-3136P	04-7	04-1531	04-2	04-1775	04-4
02-2904P	04-18	02-3138	04-7	04-1533	04-2	04-1779	04-4
02-2906	04-18	02-3140	04-7	04-1541	04-2	04-1781	04-3
02-2908	04-18	02-3142	04-7	04-1541	04-5	04-1783	04-3
02-2910	04-18	02-3240	04-20B	04-1550	04-1	04-1801	04-3
02-2918	04-18	02-3241	04-20B	04-1551	04-1	04-1803	04-4
02-2980	04-15	02-3252	04-20B	04-1552	04-1	04-1803P	04-4
02-2980	04-18	02-3254	04-20B	04-1553	04-1	04-1805	04-4
02-2982	04-15	02-3270	04-20B	04-1558	04-1	04-1821	04-3
02-2982	04-18	02-3271	04-20B	04-1562	04-1	04-1823	04-3
02-2984	04-15	02-3272	04-20B	04-1563	04-1	04-1825	04-3
02-2984	04-18	02-3273	04-20B	04-1566	04-1	04-1841	04-3
02-2986	04-15	02-3282	04-20B	04-1567	04-1	04-1841P	04-3
02-2986	04-18	02-3283	04-20B	04-1570	04-1	04-1843	04-3
02-2988	04-15	02-3284	04-20B	04-1572	04-1	04-1851	04-3
02-2988	04-18	02-3285	04-20B	04-1573	04-1	04-1853	04-3
02-3050	04-8	02-3286	04-20B	04-1574	04-1	04-1860	04-13
02-3051	04-8	02-3287	04-20B	04-1576	04-1	04-1862	04-13
02-3052	04-8	02-3300	04-20B	04-1577	04-1	04-1864	04-13
02-3052P	04-8	02-3301	04-20B	04-1578	04-1	04-1900	04-3
02-3053	04-8	02-3303	04-20B	04-1579	04-1	04-1900	04-18
02-3054	04-8	02-3304	04-20B	04-1580	04-1	04-1902	04-3
02-3054P	04-8	02-3305	04-20B	04-1582	04-2	04-1902	04-18
02-3055	04-8	02-3306	04-20B	04-1583	04-2	04-1910	04-8
02-3056	04-8	02-3307	04-20B	04-1584	04-1	04-1912	04-8
				04-1585	04-1	04-1914	04-8

00/00/00





## TOILET REPAIR

ITEM	PAGE	ITEM	PAGE	ITEM	PAGE	ITEM	PAGE
04-1916	04-8	04-3013	04-7	04-3632-1	04-9	04-4000	04-13
04-1918	04-8	04-3015	04-7	04-3633	04-9	04-4002	04-13
04-1920	04-8	04-3019	04-7	04-3634-1	04-9	04-4004	04-13
04-2000	04-20B	04-3030E	04-8	04-3634-1P	04-9	04-4010	04-13
04-2098	04-13	04-3100	04-8	04-3635	04-9	04-4011	04-14
04-2100	04-5	04-3101	04-8	04-3637	04-9	04-4022	04-12
04-2100P	04-5	04-3120	04-8	04-3639	04-9	04-4022C	04-12
04-2101	04-5	04-3122	04-8	04-3640-1	04-9	04-4022CS	04-12
04-2102	04-5	04-3124	04-8	04-3641	04-9	04-4022LS	04-12
04-2103	04-5	04-3130	04-8	04-3642-1	04-9	04-4024	04-12
04-2106	04-5	04-3156	04-8	04-3643	04-9	04-4026	04-14
04-2108	04-6	04-3300	04-11	04-3644-1	04-9	04-4026P	04-14
04-2109	04-6	04-3302	04-11	04-3645	04-9	04-4027	04-14
04-2110	04-2	04-3304	04-11	04-3651	04-9	04-4029	04-14
04-2110	04-6	04-3306	04-11	04-3653	04-9	04-4030	04-12
04-2111	04-2	04-3310	04-11	04-3670-1	04-10	04-4030P	04-14
04-2111	04-6	04-3320	04-11	04-3671	04-10	04-4031	04-14
04-2115	04-2	04-3322	04-11	04-3673	04-10	04-4032	04-12
04-2115	04-6	04-3324	04-11	04-3674-1	04-10	04-4032P	04-14
04-2120	04-2	04-3326	04-11	04-3675	04-10	04-4033	04-14
04-2120	04-6	04-3328	04-11	04-3676-1	04-10	04-4034	04-12
04-2122	04-2	04-3330	04-11	04-3677	04-10	04-4036	04-12
04-2122	04-6	04-3332	04-11	04-3679	04-10	04-4038P	04-14
04-2130	04-2	04-3334	04-11	04-3801	04-10	04-4039	04-14
04-2131	04-2	04-3400	04-7	04-3805	04-10	04-4040	04-12
04-2201	04-5	04-3401	04-7	04-3807	04-10	04-4041	04-14
04-2211	04-5	04-3402	04-7	04-3809	04-10	04-4042	04-12
04-2221	04-5	04-3410	04-7	04-3811	04-10	04-4044	04-14
04-2223	04-5	04-3411	04-7	04-3813	04-10	04-4045	04-14
04-2230	04-5	04-3420	04-7	04-3815	04-10	04-4047	04-14
04-2231	04-5	04-3421	04-7	04-3820	04-10	04-4050	04-12
04-2232	04-5	04-3500	04-8	04-3822	04-10	04-4052	04-12
04-2240	04-5	04-3502	04-8	04-3822-1	04-10	04-4053	04-14
04-2242	04-5	04-3503	04-8	04-3824	04-10	04-4054	04-12
04-2243	04-5	04-3504	04-8	04-3824-1	04-10	04-4070	04-12
04-2244	04-5	04-3505	04-8	04-3824P	04-10	04-4076	04-13
04-2245	04-5	04-3506	04-8	04-3825	04-10	04-4078	04-13
04-2247	04-2	04-3507	04-8	04-3826	04-10	04-4082	04-13
04-2248	04-5	04-3508	04-8	04-3826-1	04-10	04-4082	04-17
04-2249	04-5	04-3509	04-8	04-3826P	04-10	04-4084	04-1
04-2250	04-13	04-3511	04-8	04-3828	04-10	04-4100	04-12
04-2250E	04-13	04-3513	04-8	04-3830	04-10	04-4102	04-12
04-2252	04-13	04-3515	04-8	04-3832	04-10	04-4154	04-12
04-2254	04-13	04-3520	04-2	04-3832P	04-10	04-4158	04-12
04-2256	04-13	04-3522	04-2	04-3834	04-10	04-4160	04-12
04-2258	04-13	04-3525	04-2	04-3836	04-10	04-4162	04-12
04-2261	04-6	04-3527	04-2	04-3838	04-10	04-4164	04-12
04-2271	04-6	04-3600-1	04-9	04-3840	04-10	04-4165	04-12
04-2275	04-2	04-3601	04-9	04-3842	04-10	04-4166	04-12
04-2275	04-6	04-3602-1	04-9	04-3842P	04-10	04-4168	04-12
04-2300	04-5	04-3603	04-9	04-3844	04-10	04-4170	04-12
04-2302	04-5	04-3610-1	04-9	04-3850	04-10	04-4172	04-12
04-2310	04-5	04-3610-1P	04-9	04-3900	04-11	04-4174	04-13
04-3001	04-7	04-3611	04-9	04-3910	04-11	04-4176	04-13
04-3005	04-7	04-3612-1	04-9	04-3911	04-11	04-4178	04-13
04-3007	04-7	04-3613	04-9	04-3912	04-11	04-4182	04-13
04-3009	04-7	04-3630-1	04-9	04-3913	04-11	04-4190	04-12
04-3010	04-7	04-3630P	04-9	04-3915	04-11	04-4192	04-12
04-3011	04-7	04-3631	04-9	04-3949	04-11	04-7003	04-17



# TOILET REPAIR

ITEM	PAGE	ITEM	PAGE	ITEM	PAGE	ITEM	PAGE
04-7005	04-17	04-7237	04-15	33-3740	04-11	SL0323007	04-20A
04-7007	04-17	04-7239	04-15	33-3742	04-11	SL100100	04-20A
04-7011	04-17	04-7241	04-15	33-3746	04-11	SL100500	04-20A
04-7013	04-17	04-7249	04-17	33-3748	04-11	SL100502	04-20A
04-7071	04-17	04-7251	04-17	33-3750	04-11	SL3301037	04-20
04-7073	04-17	04-7253	04-17	33-3752	04-11	SL3301038	04-20
04-7075	04-17	04-7255	04-17	33-3805	04-11	SL3301058	04-20
04-7077	04-17	04-9001	04-20A	33-3815	04-11	SL3301059	04-20
04-7079	04-17	04-9003	04-20A	41757A	04-4	SL3301188	04-20
04-7081	04-17	04-9005	04-20A	41757C	04-4	SL3301189	04-20
04-7083	04-17	04-9007	04-20	41757P	04-4	SL3301306	04-20
04-7085	04-16	04-9009	04-20	41757W	04-4	SL3302279	04-20
04-7087	04-16	04-9011	04-20	41766A	04-4	SL3302305	04-20
04-7091	04-16	04-9013	04-20A	41766C	04-4	SL3308853	04-20A
04-7093	04-8	04-9015	04-20	41766P	04-4	SL3308856	04-20A
04-7095	04-17	04-9017	04-20	41766W	04-4	SL3323192	04-20A
04-7122	04-16	04-9019	04-20	41767A	04-4	URA-243	04-6
04-7125	04-16	04-9021	04-20A	41767C	04-4	URA-244	04-6
04-7151	04-16	04-9025	04-20A	41767P	04-4	URA-331	04-4
04-7153	04-16	04-9027	04-20A	41767W	04-4	URA-775	04-6
04-7161	04-16	04-9031	04-20A	41789A	04-4	X-203	04-15
04-7163	04-16	04-9033	04-20A	41789C	04-4	X-203	04-19
04-7165	04-16	04-9041	04-20	41789P	04-4	X-205	04-15
04-7167	04-16	04-9043	04-20	41789W	04-4	X-205	04-19
04-7169	04-16	04-9050	04-14	41791A	04-4	X-207	04-19
04-7171	04-16	04-9052	04-14	41791C	04-4	X-209	04-15
04-7173	04-16	04-9060	04-14	41791P	04-4	X-209	04-19
04-7175	04-16	04-9062	04-14	41791W	04-4	X-312	04-15
04-7177	04-16	04-9100	04-14	41803A	04-4	X-400	04-15
04-7179	04-16	04-9110	04-14	41803C	04-4	X-400	04-19
04-7181	04-16	04-9120	04-14	41803P	04-4	X-401	04-15
04-7183	04-16	04-9130	04-14	41803W	04-4	X-401	04-19
04-7185	04-16	04-9160	04-13	41841A	04-4	X-402	04-15
04-7187	04-16	04-9162	04-13	41841C	04-4	X-402	04-19
04-7189	04-16	04-9164	04-13	41841P	04-4	X-403	04-19
04-7191	04-16	14-1010	04-20B	41841W	04-4	X-404	04-19
04-7193	04-16	14-1021	04-20B	42-0400	04-20B	X-406	04-19
04-7195	04-16	14-1039	04-20B	AS47048-02	04-3	X-407	04-19
04-7197	04-16	14-1051	04-20B	AS47108-02	04-3	X-408	04-19
04-7199	04-16	14-1053	04-20B	AS47148-02	04-3	X-410	04-19
04-7201	04-15	14-1060	04-20B	AS47191-02	04-3	X-412	04-15
04-7203	04-15	14-1061	04-20B	AS47242-02	04-3	X-412	04-19
04-7205	04-15	14-1063	04-20B	CA9-50	04-2	X-413	04-19
04-7207	04-15	14-1065	04-20B	CA9-66	04-2	X-414	04-19
04-7211	04-15	14-1067	04-20B	CASP-29	04-5	X-415	04-19
04-7213	04-15	14-1069	04-20B	CASP-3	04-2	X-420	04-19
04-7217	04-16	14-1080	04-20B	CASP-88	04-5	X-422	04-19
04-7219	04-16	14-1081	04-20B	CRF-12975	04-18	X-48	04-15
04-7219N	04-16	33-3605	04-11	EL-6199	04-3	X-48	04-19
04-7221	04-15	33-3615	04-11	IN68U	04-18		
04-7223	04-15	33-3700	04-11	IN79X	04-18		
04-7225	04-15	33-3701	04-11	IN97Y	04-18		
04-7227	04-15	33-3705	04-11	INSA231R	04-2		
04-7229	04-15	33-3715	04-11	KO-49114	04-2		
04-7231	04-6	33-3725	04-11	KO-51218	04-2		
04-7231	04-15	33-3730	04-11	KO-56099	04-2		
04-7233	04-15	33-3732	04-11	KO-83064	04-2		
04-7235	04-15	33-3736	04-11	KO-84314	04-2		
04-7235P	04-15	33-3738	04-11	SL0323005	04-20A		

00/00/00

