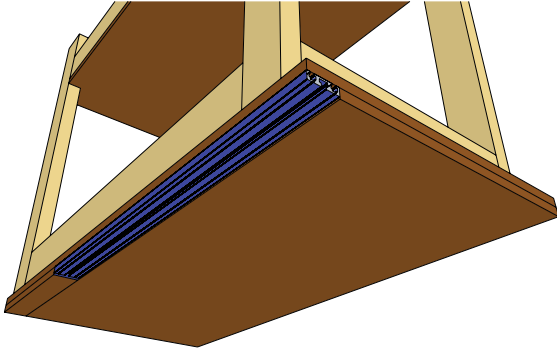


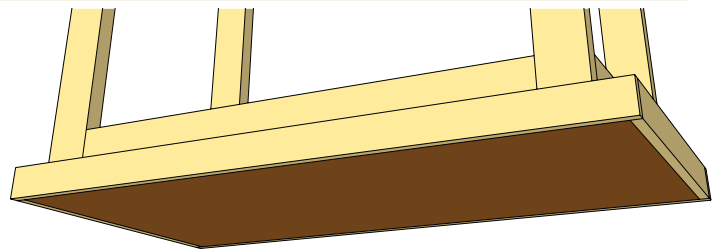
Online: [www.kregjig.com](http://www.kregjig.com) | Phone: 800.447.8638  
 Email: [customerservice@kregtool.com](mailto:customerservice@kregtool.com)

You can visit us online for additional resources such as accessories, project plans, product manuals, and more tips and techniques for getting the most out of your Kreg Jig®.



▶ To make your workbench even more useful, consider adding the Kreg Klamp System™ components to the table's surface. Klamp System™ components make it easier than ever to get perfectly flush Kreg joints and serve as an extra "helping hand" around the shop for almost every other task. With the Kreg Trak™ attached, you can position the Bench Klamp™ anywhere along the length of the Trak and remove it just as easily to regain your perfectly flush work surface. To learn more about Klamp System™ components or how to install, visit [www.kregtool.com](http://www.kregtool.com)

To get some help assembling Edgebanding Joints, view the SkillBuilder™ Edgebanding Section on the Kreg Jig® DVD.



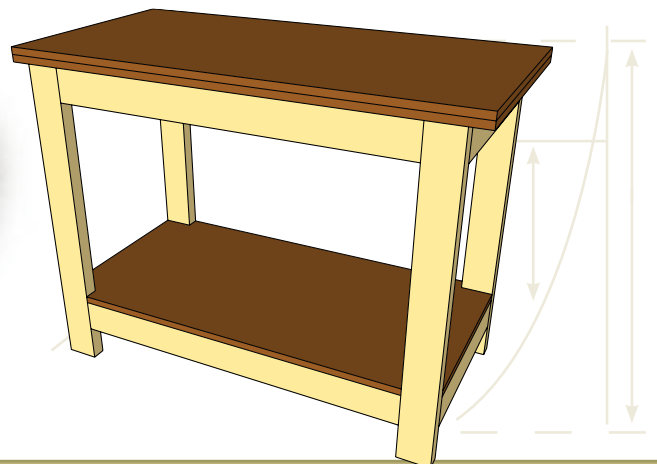
▶ It won't take long for you to realize how handy your workbench really is. And the more you use it, the more the edges of the top will show signs of wear and tear. To help protect the edges of the benchtop, you can add solid wood edgebanding, like you see in the drawing on the left. It's a great way to add some durability and dress up the look of your bench.

## Design Options



# Workbench

Project Plan



# What you'll need

## TOOLS



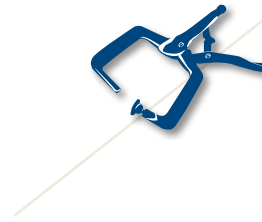
Circular Saw



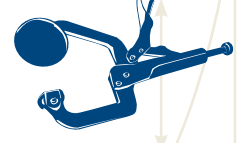
Drill



Jig Saw



Right Angle Clamp



Kreg Face Clamp  
or C-clamp

25"

## HARDWARE & SUPPLIES



### SHOPPING LIST

Quantity	Description
50	SML-C250 2½", #8 Coarse, Pocket-Hole Screws
100	SML-C125 1¼", #8 Coarse, Pocket-Hole Screws
1	Bottle of Wood Glue
2	Sheets 120-Grit Sandpaper

# Materials

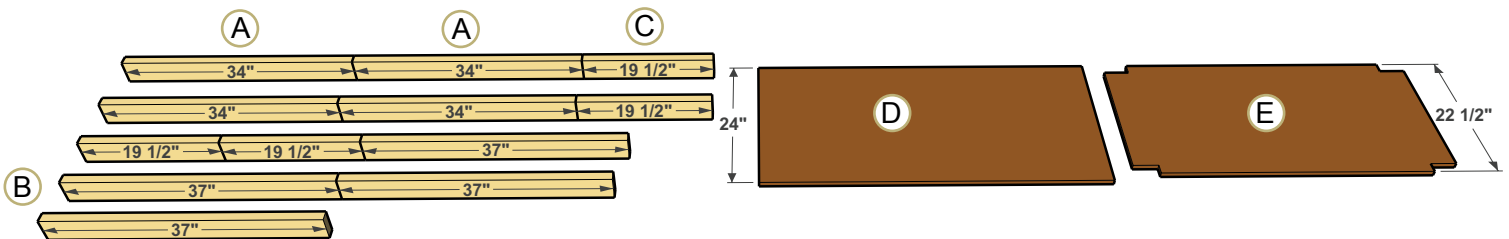
## CUTTING DIAGRAM

### SHOPPING LIST

Quantity	Description
5 each	2x4's - 8' long
3 each	2' x 4' x ¾"-thick MDF Panels

### PARTS TO CUT

Part	Qty.	Description	Length	Width	Thickness
A	4	Legs	34"	3½"	1½"
B	4	Long Rails	37"	3½"	1½"
C	4	End Rails	19½"	3½"	1½"
D	2	Top	48"	24"	¾"
E	1	Shelf	44"	22½"	¾"

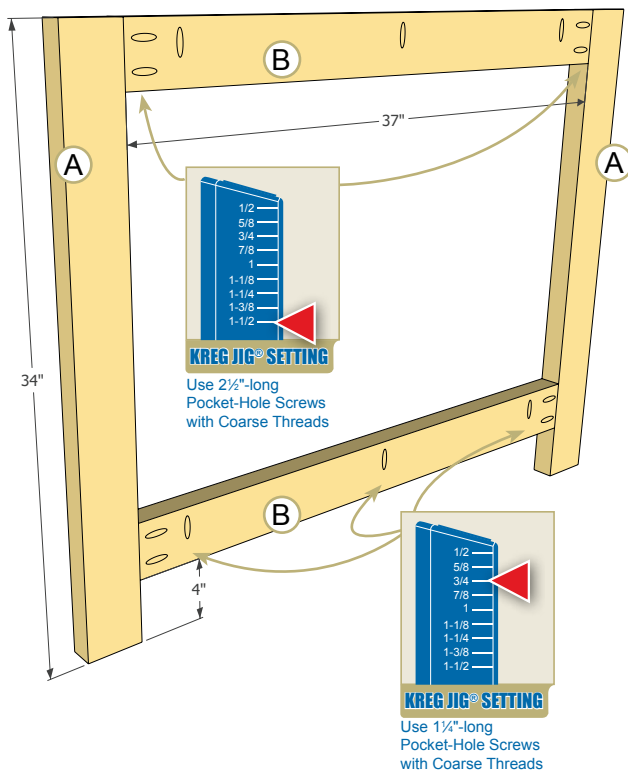


## SkillBuilder™ DVD Icon

When you see this DVD logo, please reference the Skill Builder DVD for in-depth tips on how to build the featured joint.

# How to Build it!

## STEP-BY-STEP



### FRONT & BACK FRAMES

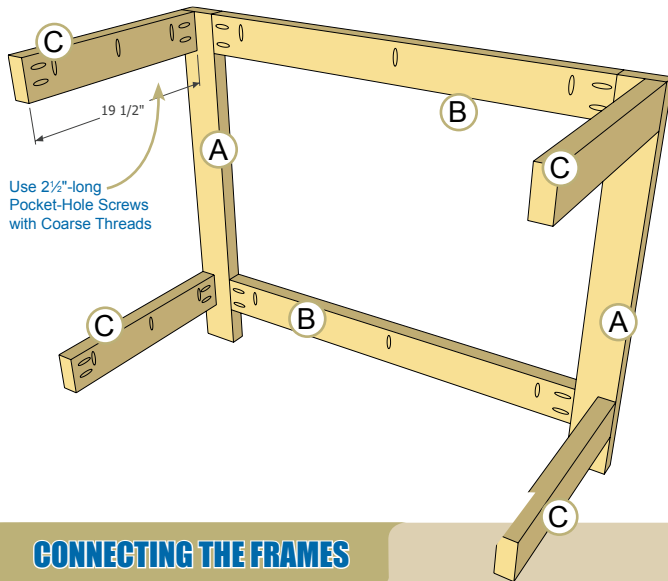
Before you get started, you'll want to measure out and cut the parts that are made from the 2x4's. Take a look at the Cutting Diagram on the other side of these plans to help you out.

The first thing you'll do is build the front and back frames, as shown in the drawing on the left.

1. Locate the four long rails (Parts 'B') and drill the Pocket-Holes as shown. The location of the Pocket-Holes isn't critical. Use the jig settings shown in the drawing.

2. Now attach the long rails to the legs (Parts 'A') at the locations shown. The top rail should be flush with the top of the legs. The bottom rail should be 4" from the bottom of the leg as shown.

**TIP:** To get some help making this joint, view the SkillBuilder™ "Assembling Face Frames" section on the Kreg Jig® DVD.



### ADDING THE END RAILS

3. Now drill all of the Pocket-Holes in the shorter end rails (Parts 'C') where indicated in the drawing at the left. Use the same settings as you did on the long rails above.

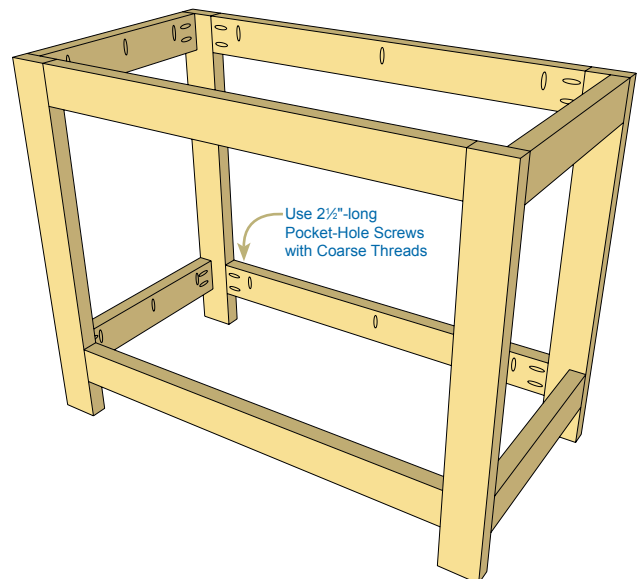
4. Attach the four end rails to one of the frames you've already assembled. These rails will be at the same locations on the legs as the rails on the frame, with the top rail flush with the top of the legs.

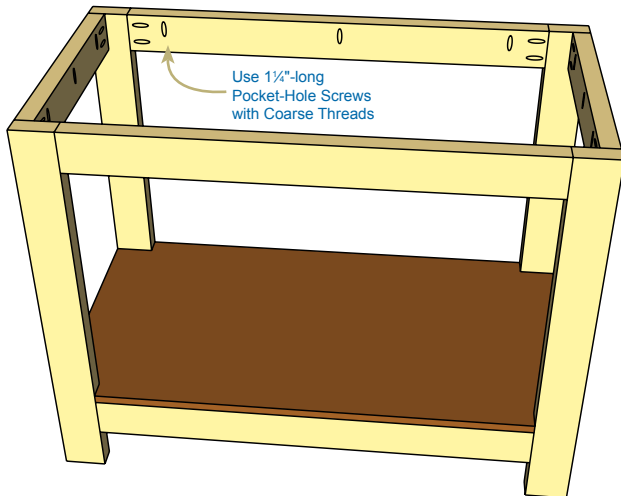
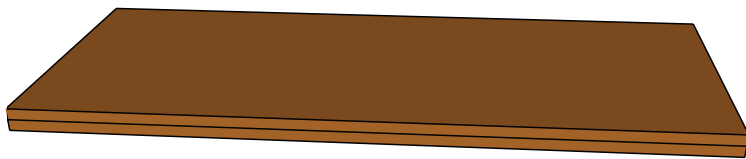
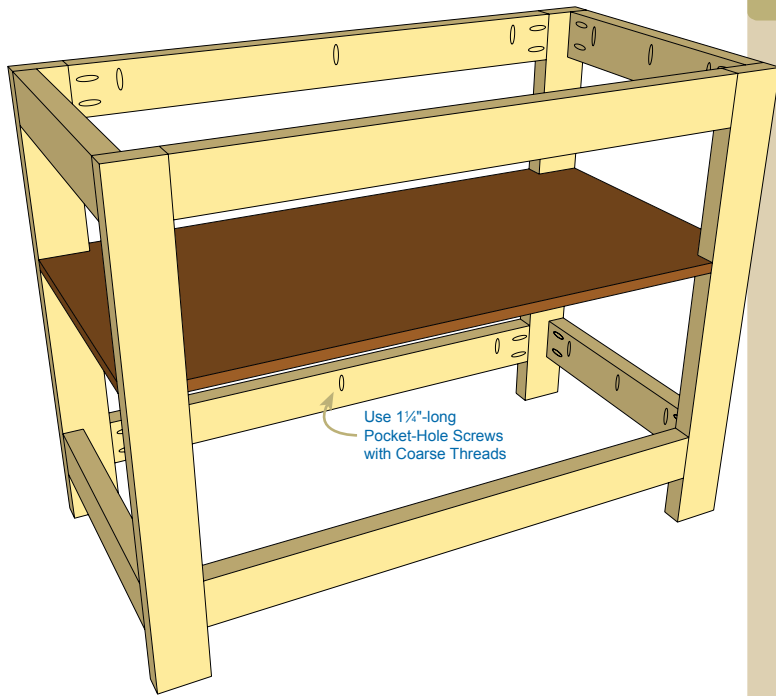
**TIP:** To get some help with this, view the SkillBuilder™ "Leg and Rail Joints" section on the Kreg Jig® DVD.

### CONNECTING THE FRAMES

5. You're ready to connect the second frame to the four rails (Part 'C'), as shown on the right. You might need a helper to hold the parts in place as you drive the screws.

**TIP:** To make assembly easier, lay the frame flat on a workbench or the floor. Now you can place the previously assembled bench section in place and fasten with screws.





## ATTACHING THE SHELF & TOP

6. Cut the shelf as shown in the Cutting Diagram. You'll need to cut out the four notches in the corners to fit around the legs of the bench. Each notch will be  $3\frac{1}{2}$ " long and  $1\frac{1}{2}$ " wide.

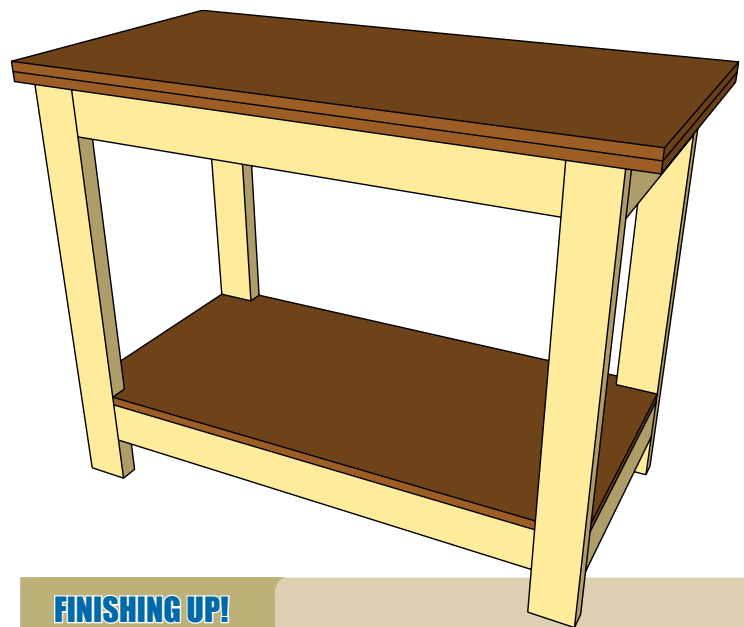
7. With the shelf resting on the lower rails, turn the bench on its side and drive the Pocket-Hole screws to fasten it in place.

**NOTE:** Be careful when driving screws in MDF. Since it's a relatively soft material, it's easy to "over-drive" the screws.

8. Now, stand the bench upright to attach the top. Place the first layer of MDF on top of the base. Take some time to make sure that it's centered on the frame and that the overhang is the same on all sides. Once centered, drive screws into the Pocket-Holes to attach.

**NOTE:** If your workbench will be placed against a wall, you can make the top flush on the back side.

9. Now spread a thin layer of glue on the MDF and place the second layer of MDF on top, making sure all the edges are flush. You may want to clamp the two layers together or place heavy weights on top while the glue dries. You can also drive  $1\frac{1}{4}$ " screws from the bottom layer into the top layer if desired.



**TIP:** To find out how to attach the shelf and top to the bench, view the SkillBuilder™ "Attaching Tabletops" on the Kreg Jig® DVD.

## FINISHING UP!

10. A little sanding is all it takes to get smooth edges on the top. Now you can prime and paint it if you'd like.

