

Features

- Top-mounted joystick handle allows for both on/off actuation and temperature setting
- Push joystick back to turn on; rock side to side for hot/cold
- KOHLER ceramic disc valves exceed industry longevity standards for a lifetime of durable performance
- Aerator ensures a splash-free water flow
- Includes plastic clicker drain with 1-1/4" metal tailpiece
- 1.2 gpm (4.5 lpm) maximum flow rate at 60 psi (4.14 bar)
- Box includes: Assembled faucet, supply lines, escutcheon plate, drain

Material

- Premium material construction for durability and reliability
- Select KOHLER finishes feature ScratchShield™ technology which withstands even the toughest daily use
- Spot Repel™ finish resists fingerprints, smudges and water spots (Matte Black finish only)

Installation

- Single-hole or three-hole installation (escutcheon plate included)
- Simplified faucet installation; mounting hardware requires no special tools

Recommended Products/Accessories

K-23726 Drain treatment



ADA

CSA B651

OBC

Codes/Standards

ASME A112.18.1/CSA B125.1
NSF/ANSI/CAN 61
NSF/ANSI/CAN 372
All applicable US Federal and State material regulations
DOE - Energy Policy Act 1992
EPA WaterSense™
California Energy Commission (CEC)
ADA
ICC/ANSI A117.1
CSA B651
OBC

KOHLER® Faucet Lifetime Limited Warranty

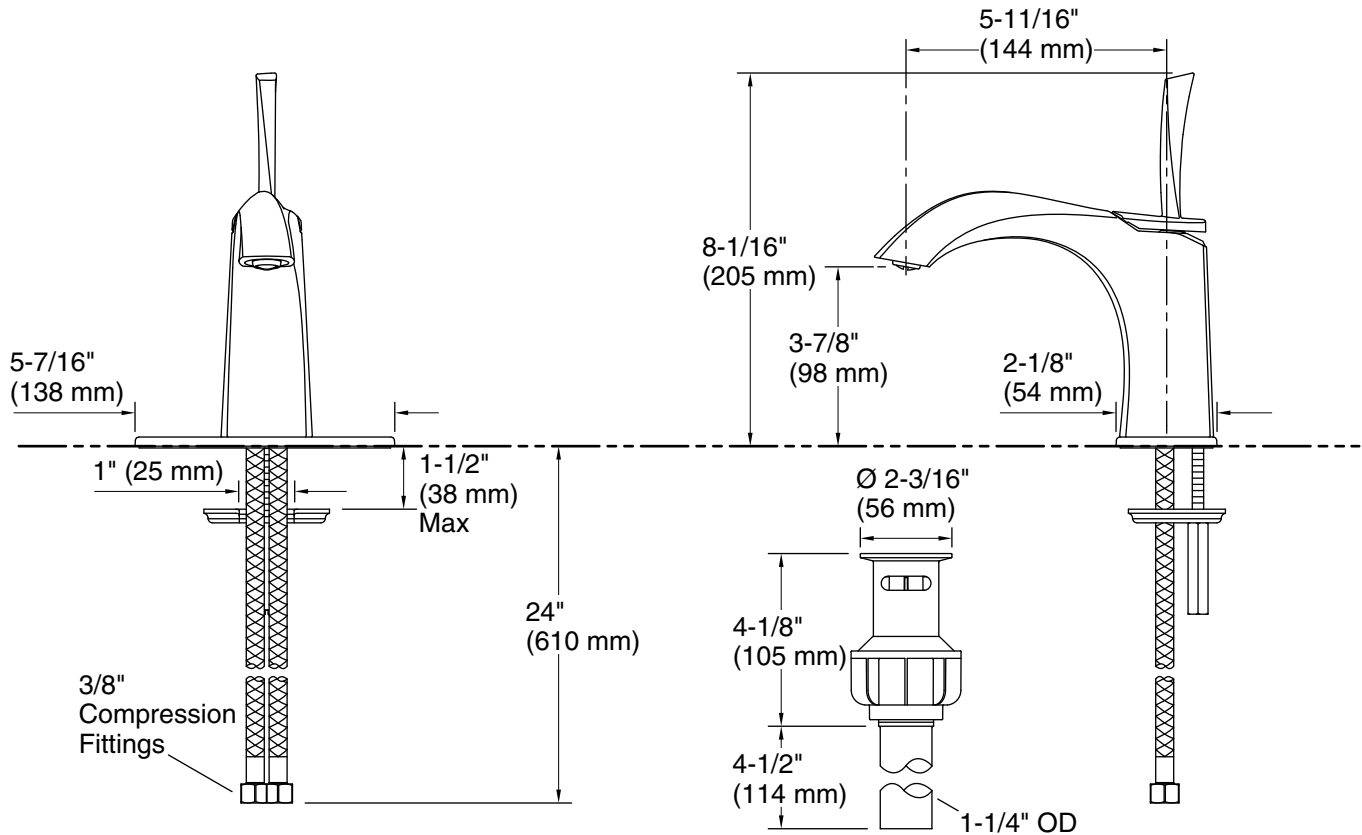
See website for detailed warranty information.

Available Colors/Finishes

Color tiles intended for reference only.

Color Code Description

	CP	Polished Chrome
	BN	Vibrant™ Brushed Nickel
	BL	Matte Black



Technical Information

All product dimensions are nominal.

Faucet:

Flow rate: 1.2 gal/min (4.5 l/min)

Pressure: 45 psi (3.1 bar)

Drain included: Yes

Drain with overflow: Yes

Spout:

Spout reach: 5-11/16" (144 mm)

Handle clearance: 2" (51 mm)

Pressure/fixture Supply Requirements

Fixture pressure max (static): 125 psi (861.8 kPa)

Fixture pressure min (static): 20 psi (137.9 kPa)

Notes

Install this product according to the installation instructions.

ADA compliant for handles only.

ADA, OBC, CSA B651 compliant when installed to the specific requirements of these regulations.