



Wellworth™ Classic

The Complete Solution™ two-piece round-front toilet,
1.28 gpf
K-11464

Features

- The Complete Solution toilets provide everything you need, including bowl, tank, seat, wax ring, and hardware
- Two-piece design
- 1.28 gpf high-efficiency toilets provide significant water savings of up to 16,500 gallons per year versus an old 3.5-gallon toilet without sacrificing performance
- Qualifies as an HET(High-Efficiency Toilet). Consumer rebates are available in some municipalities
- Round-front bowl
- 2-1/8" (54 mm) fully glazed trapway

Material

- Vitreous china

Technology

- Class Five™ flushing technology offers virtually plug-free performance and rinsing power for a clean bowl
- KOHLER's canister flush valve harnesses the natural force of gravity and optimizes flushing performance

Installation

- Supply line sold separately
- Floor-mount /floor outlet
- Standard 12" (305 mm) rough-in

Included Components

Product consists of:

4436
4197
4775

Additional Components:

Hardware kit
Tank cover
Trip lever
Wax ring



Codes/Standards

ASME A112.19.2/CSA B45.1
DOE - Energy Policy Act 1992
EPA WaterSense™
California Energy Commission (CEC)

KOHLER® Toilets and Seats Limited Warranty

See website for detailed warranty information.

Available Colors/Finishes

Color tiles intended for reference only.

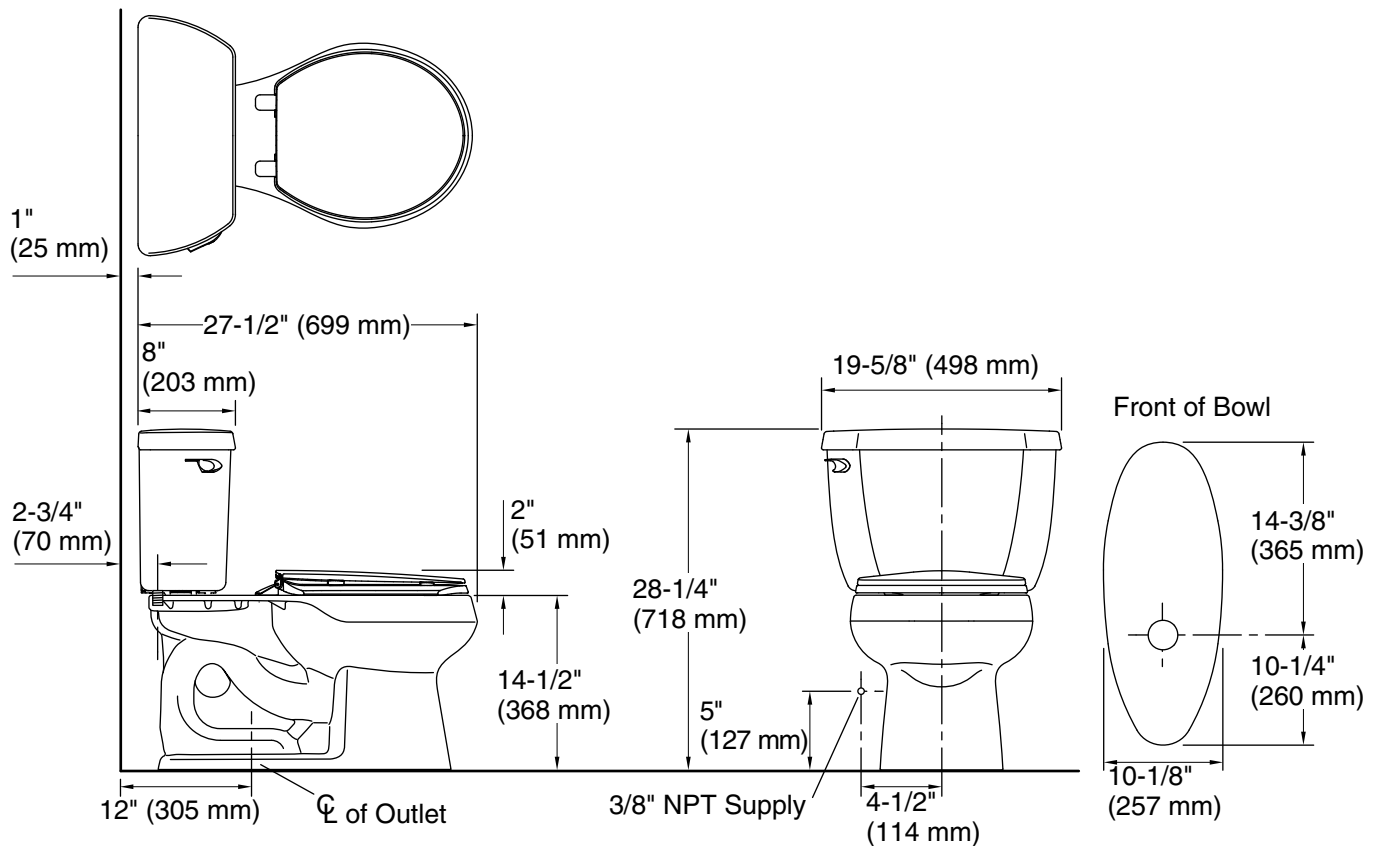
Color Code Description

	0	White
---	---	-------



Wellworth™ Classic

The Complete Solution™ two-piece round-front toilet,
1.28 gpf
K-11464



Technical Information

All product dimensions are nominal.

Toilet type:	Floor-mount
Bowl shape:	Round-front
Flush type:	Class Five Single-Flush
Trap passageway:	2-1/8" (54 mm)
Water surface size:	10-1/2" x 7-3/4" (267 mm x 197 mm)
Rim to water surface:	5-1/4" (133 mm)
Rough-in:	12" (305 mm)
Seat-mounting holes:	5-1/2" (140 mm)

Notes

Install this product according to the installation instructions.