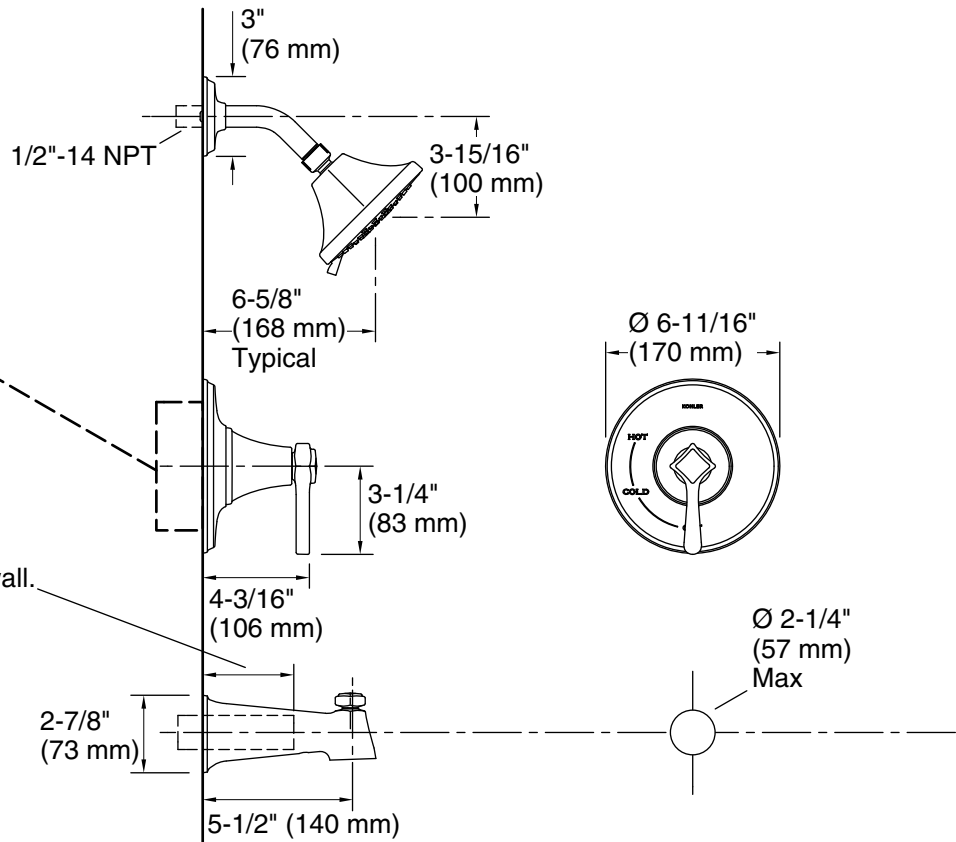


Slip-fit:

Extend 5/8" OD tube 4-5/8" (117 mm) from finished wall.

Threaded Spout:

Extend 1/2" NPT pipe 4-5/8" (117 mm) from finished wall.



Technical Information

All product dimensions are nominal.

Shower Valve:

Flow Rate (Max) @ 45 psi	5 gal/min (18.9 l/min)
Pressure:	45 psi (3.1 bar)
Maximum (Static) Pressure:	125 psi (8.6 bar)
Minimum (Operating) Pressure:	20 psi (1.4 bar)

Valve body:	Machined-brass
Drain included:	No

Showerhead/Body Spray:

Rated maximum flow:	1.75 gal/min (6.6 l/min)
Pressure:	45 psi (3.1 bar)

Notes

Install this product according to the installation instructions.

Install straight pipe or tube drop of 7" (178 mm) to 18" (457 mm) with single elbow between the valve and the wall-mount spout.

NOTICE: Risk of product damage. Long screws, for installing trim, can damage the K-2971-KS valve. Consult the trim installation guide to verify if the thin wall installation kit (88526) is needed.