

### Features

- Single-lever handle allows for simultaneous on/off activation and temperature control.
- 1.75 gpm (gallons per minute) showerhead flow rate.
- Rite-Temp® pressure-balancing technology maintains water temperature within +/- 3°F.
- MasterClean™ sprayface features an easy-to-clean surface that withstands mineral buildup.
- Coordinates with other products in the Elliston collection.

### Material

- Premium material construction for durability and reliability.
- KOHLER finishes resist corrosion and tarnishing.

### Installation

- Heavy duty slip-fit clamp design and NPT threaded spout.
- Wall-mount.

### Recommended Products/Accessories

K-23723 Faucet cleaner

### Included Components

Additional Components:

Diverter spout  
Faceplate with lever handle  
Shower arm and flange  
Showerhead  
Valve



### Codes/Standards



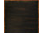
ASME A112.18.1/CSA B125.1  
ASSE 1016/ASME A112.1016/CSA B125.16  
DOE - Energy Policy Act 1992  
EPA WaterSense®  
California Energy Commission (CEC)

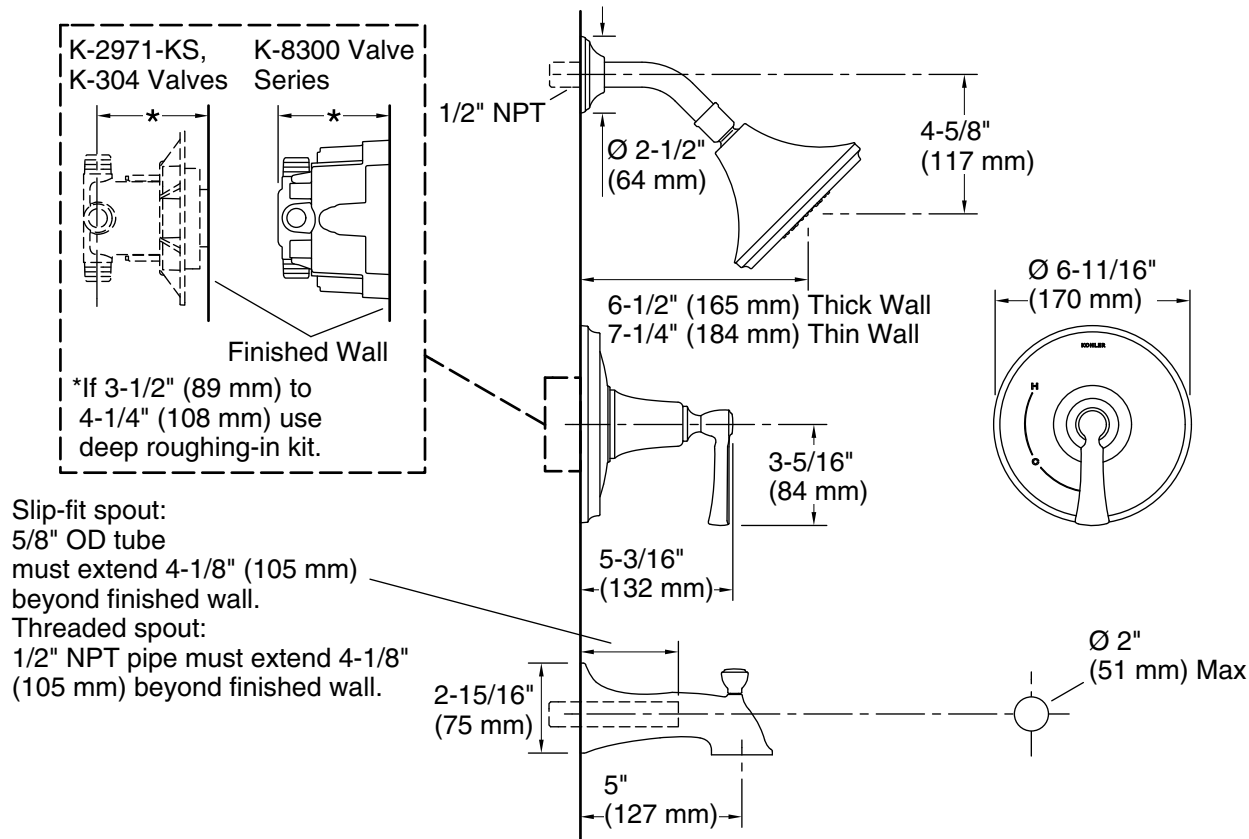
### KOHLER® Faucet Lifetime Limited Warranty

See website for detailed warranty information.

### Available Colors/Finishes

*Color tiles intended for reference only.*

Color	Code	Description
	CP	Polished Chrome
	BN	Vibrant® Brushed Nickel
	2BZ	Oil-Rubbed Bronze



### Technical Information

All product dimensions are nominal.

Drain included:      No

### Notes

Install this product according to the installation instructions.

Install straight pipe or tube drop of 7" (178 mm) to 18" (457 mm) with single elbow between the valve and the wall-mount spout.

**NOTICE:** Risk of product damage. Long screws, for installing trim, can damage the K-2971-KS valve. Consult the trim installation guide to verify if the thin wall installation kit (88526) is needed.