

### Features

- Single lever handle is simple to use and makes adjusting water temperature easy.
- Swing spout offers increased clearance for filling pots and cleaning.
- Matching sidespray provides flexibility and convenience for cleaning and food preparation.
- KOHLER ceramic disc valves exceed industry longevity standards, ensuring durable performance for life.

### Material

- Premium material construction for lasting durability.
- KOHLER finishes featuring ScratchShield® withstand even the toughest of daily use.

### Installation

- Installs with 2- or 4- hole sink (escutcheon plate included).
- Flexible supply lines and quick connect fittings make installation easy.



ADA CSA B651

### Codes/Standards

ASME A112.18.1/CSA B125.1  
NSF/ANSI 61  
NSF/ANSI 372  
All applicable US Federal and State material regulations  
DOE - Energy Policy Act 1992  
California Energy Commission (CEC)  
ADA  
ICC/ANSI A117.1  
CSA B651



### KOHLER® Faucet Lifetime Limited Warranty

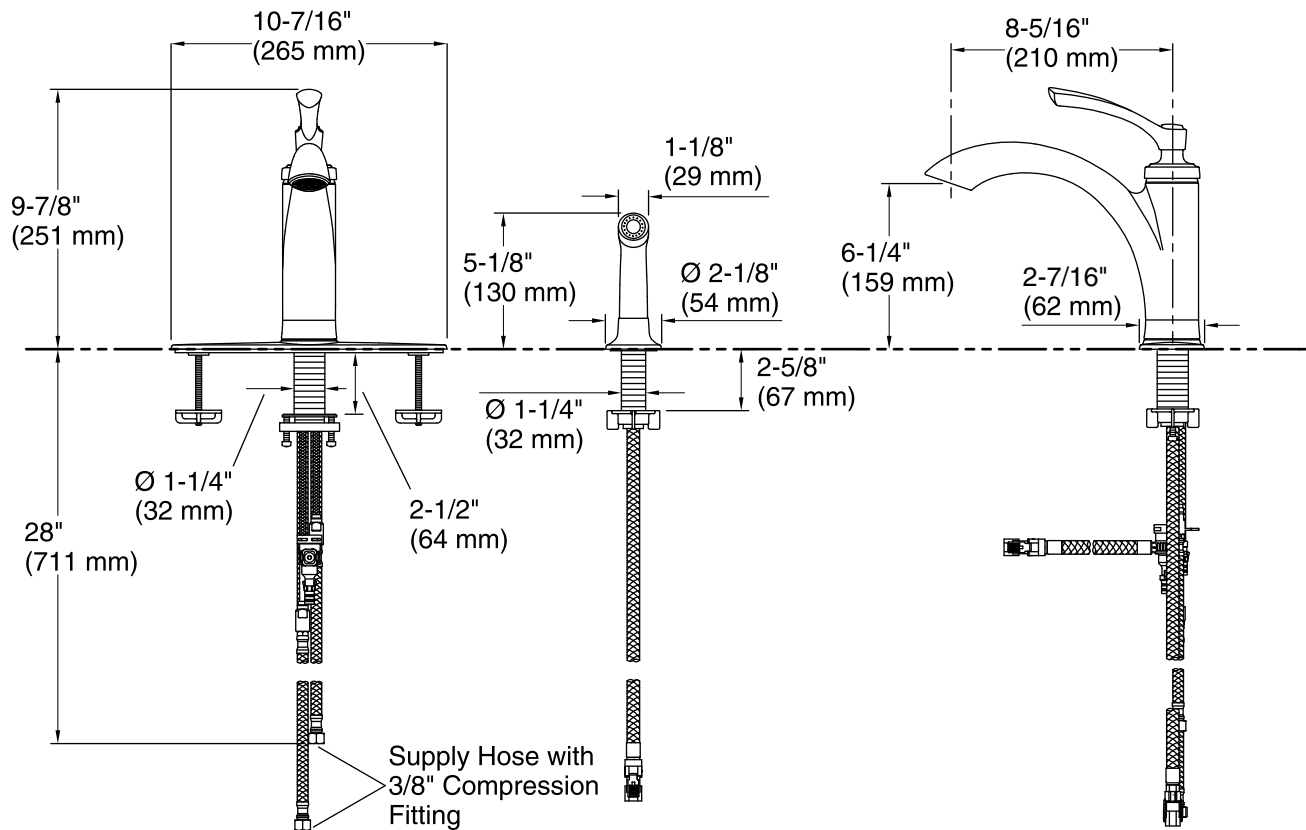
See website for detailed warranty information.

### Available Colors/Finishes

*Color tiles intended for reference only.*

Color	Code	Description
-------	------	-------------

	CP	Polished Chrome
	VS	Vibrant® Stainless



### Technical Information

All product dimensions are nominal.

#### Faucet:

Flow rate: 1.8 gal/min (6.8 l/min)

Pressure: 60 psi (4.1 bar)

#### Spout:

Spout reach: 8-5/16" (211 mm)

### Notes

Install this product according to the installation instructions.

ADA, CSA B651 compliant when installed to the specific requirements of these regulations.