

Features

- Two-handle widespread bathroom sink faucet for 8" - 16" centers.
- UltraGlide® valves, featuring advanced ceramic disc technology, improve flow and temperature control, offering consistent lifetime performance.
- KOHLER ceramic disc valves exceed industry longevity standards two times for a lifetime of durable performance.
- Constructed with premium materials for durability and reliability.
- KOHLER finishes resist corrosion and tarnishing.
- Handles come pre-assembled on valves to simplify installation.
- 1.2 gpm (gallons per minute) maximum flow rate.

Loose component/s: Quick Connect Tee, and Quick Connect Outlet Hoses.



ADA **CSA B651** **OBC**

Codes/Standards

ASME A112.18.1/CSA B125.1

NSF/ANSI 61

NSF/ANSI 372

All applicable US Federal and State material regulations

DOE - Energy Policy Act 1992

EPA WaterSense®

California Energy Commission (CEC)

ADA

ICC/ANSI A117.1

CSA B651

OBC

KOHLER® One-Year Limited Warranty

See website for detailed warranty information.

Available Colors/Finishes

Color tiles intended for reference only.

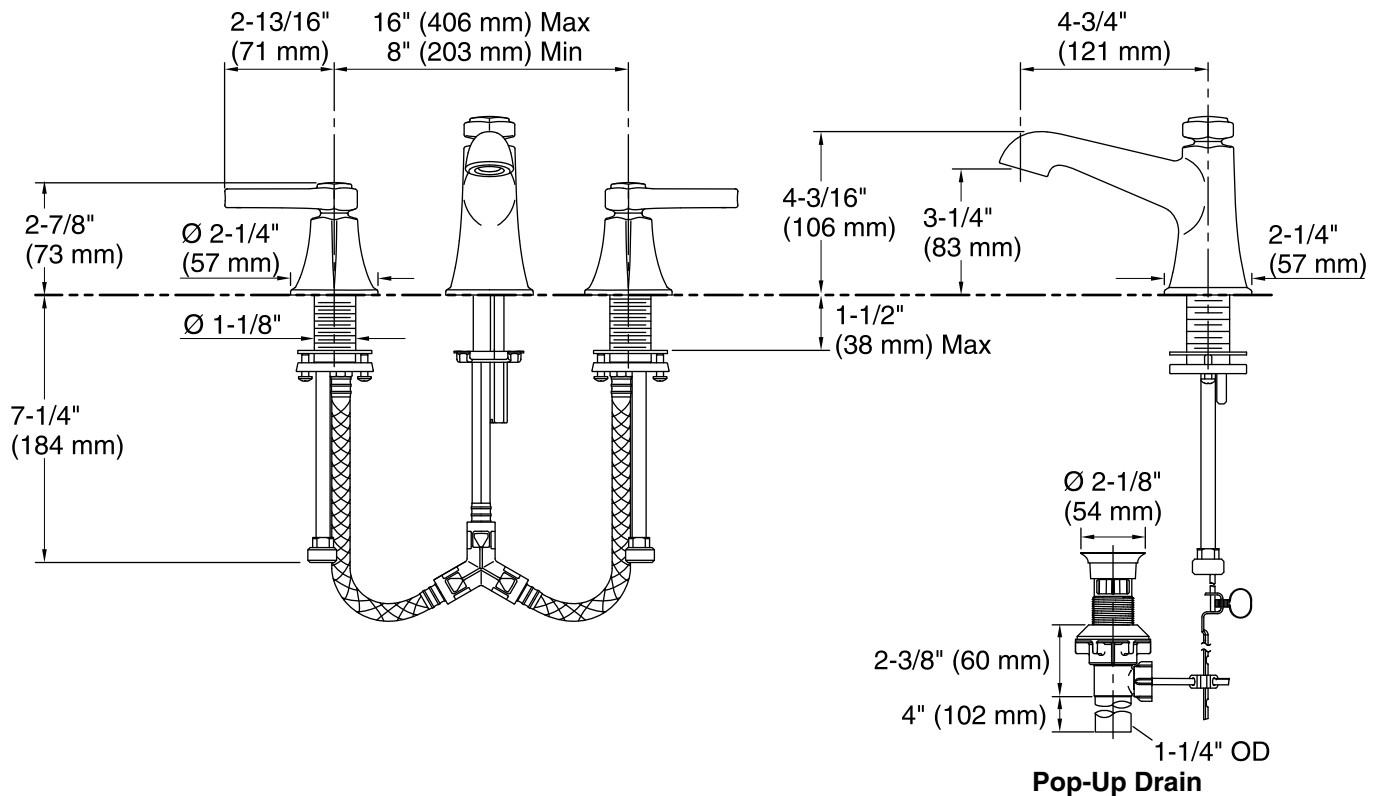
Color	Code	Description
-------	------	-------------



BN Vibrant® Brushed Nickel



2BZ Oil-Rubbed Bronze



Technical Information

All product dimensions are nominal.

Faucet:

Flow rate: 1.2 gal/min (4.5 l/min)

Pressure: 60 psi (4.1 bar)

Drain included: Yes

Drain tailpiece included: Yes

Notes

Install this product according to the installation guide.

ADA, OBC, CSA B651 compliant when installed to the specific requirements of these regulations.