

Features

- Advanced spray engine provides three spray options: powerful massage, intense drenching, or wide coverage.
- Wide coverage spray produces an encompassing spray for everyday use.
- Intense drenching spray delivers a forceful spray ideal for rinsing soap from hair.
- Targeted spray is a focused stream for targeting sore muscles or use as a utility spray.
- 1.75 gpm (gallons per minute) showerhead flow rate.
- Coordinates with other products in the Georgeson® collection.

Material

- KOHLER finishes resist corrosion and tarnishing.

Technology

- Rite-Temp® pressure-balancing technology maintains water temperature withing +/- 3 degrees Fahrenheit for antiscalding protection and precise temperature control.

Included Components

Additional Components:

- Diverter spout
- Faceplate with lever handle
- Rite-Temp® pressure-balancing valve
- Shower arm and flange
- Showerhead



Codes/Standards

ASME A112.18.1/CSA B125.1
ASSE 1016/ASME A112.1016/CSA B125.16
DOE - Energy Policy Act 1992
EPA WaterSense®
California Energy Commission (CEC)

KOHLER® Faucet Lifetime Limited Warranty

See website for detailed warranty information.

Available Colors/Finishes

Color tiles intended for reference only.

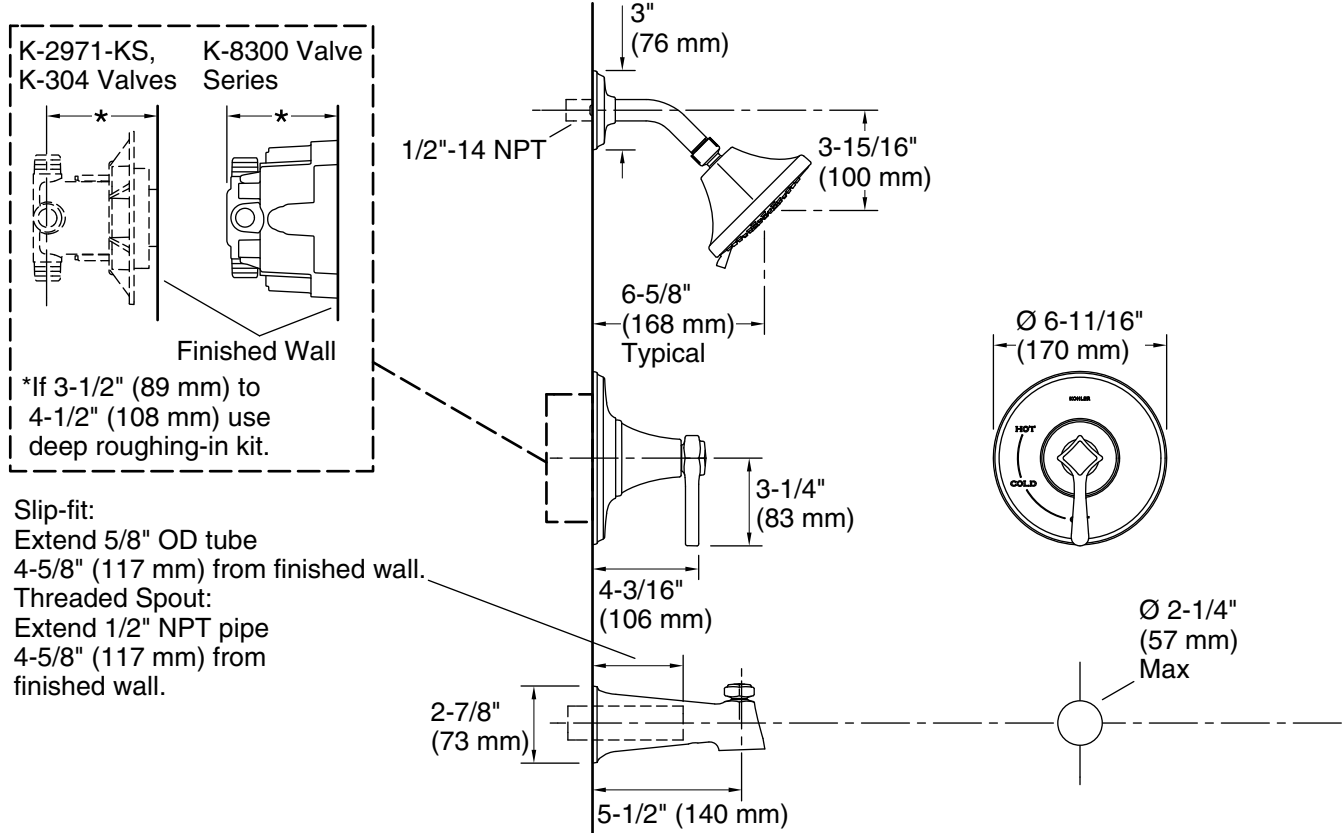
Color	Code	Description
-------	------	-------------



BN	Vibrant® Brushed Nickel
----	-------------------------



2BZ	Oil-Rubbed Bronze
-----	-------------------



Technical Information

All product dimensions are nominal.

Shower Valve:

Flow rate - Max: 5 gal/min (18.9 l/min)

Pressure - Min: 45 psi (3.1 bar)

Min. pressure IN: 20 psi (1.4 bar)

Valve body: Machined-brass

Drain included: No

Showerhead/Body Spray:

Rated maximum flow: 1.75 gal/min (6.6 l/min)

Pressure: 80 psi (5.5 bar)

Notes

Install this product according to the installation instructions.

Install straight pipe or tube drop of 7" (178 mm) to 18" (457 mm) with single elbow between the valve and the wall-mount spout.

NOTICE: Risk of product damage. Long screws, for installing trim, can damage the K-2971-KS valve. Consult the trim installation guide to verify if the thin wall installation kit (88526) is needed.