

Features

- MasterClean™ spray nozzles prohibit mineral buildup for easy cleaning.
- Single-function showerhead with 2.0 gallon (7.6 L) per minute flow rate.
- Rite-Temp® pressure-balancing diaphragm design valve.

Material

- Premium metal construction.

Technology

- Single-function showerhead with Katalyst™ Spray Technology.

Installation

- Heavy duty slip-fit clamp design and NPT threaded spout.

Recommended Replacements

- This product is replaced by R37028-4G.

Optional Products/Accessories

1073881 Deep Rough-in Kit

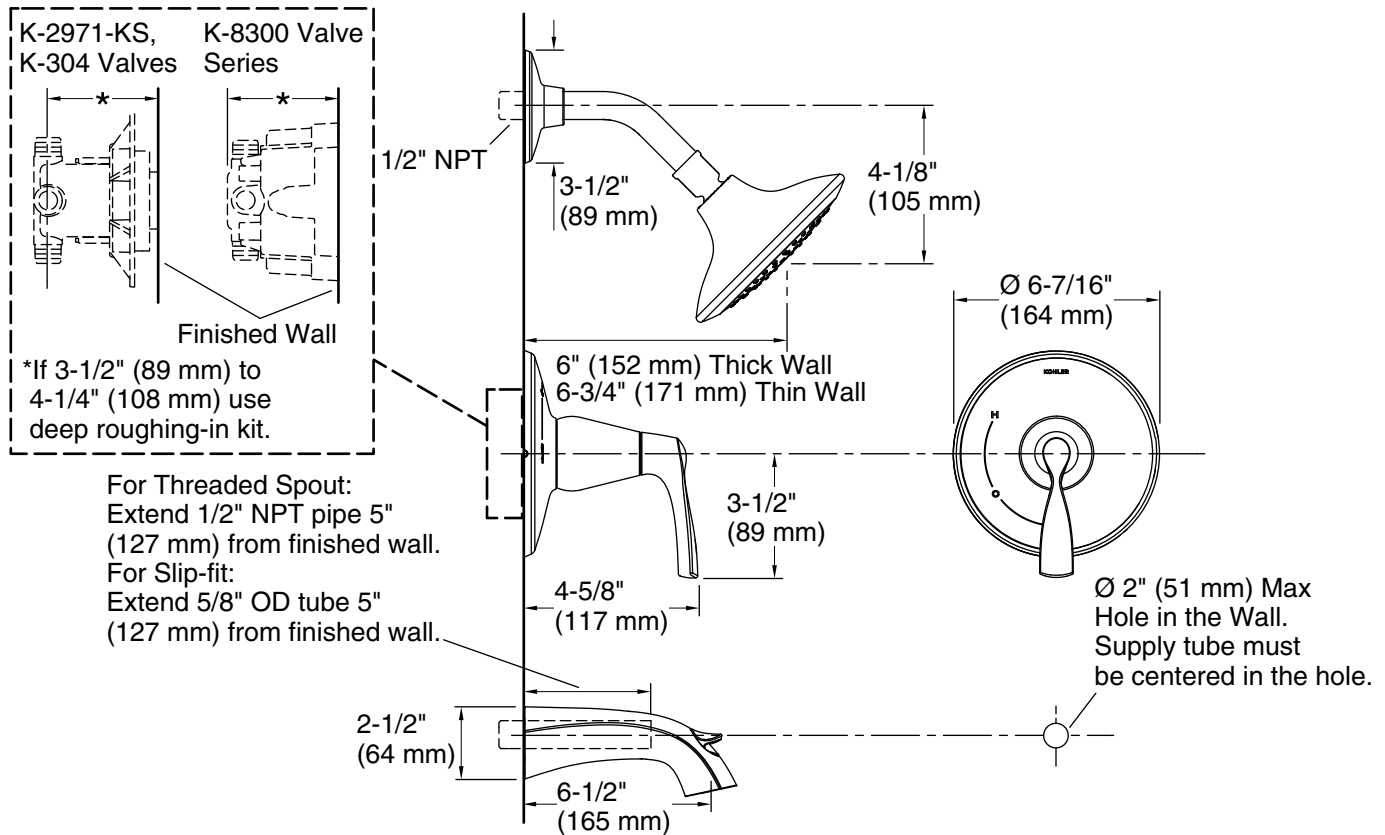


Codes/Standards

ASME A112.18.1/CSA B125.1
ASSE 1016/ASME A112.1016/CSA B125.16
DOE - Energy Policy Act 1992
EPA WaterSense®

KOHLER® Faucet Lifetime Limited Warranty

See website for detailed warranty information.



Technical Information

All product dimensions are nominal.

Drain included: No

Showerhead/Body Spray:

Rated maximum flow: 2 gal/min (7.6 l/min)

Notes

Install this product according to the installation guide.

Install the Rite-Temp® valve according to the valve installation guide.

Avoid cross-flow conditions. Do not install shut-off device on either valve outlet.

Cap the shower outlet if the deck-mounted spout, diverter, or handshower is connected to the spout outlet.

Install a 7" (178 mm) to 18" (457 mm) straight pipe or straight tube with single elbow between the valve and the wall-mount spout.