



Staccato™
Top-mount Kitchen Sink
K-3362-4

Features

- 27-inch minimum base cabinet width.
- Single bowl.
- 8-inch depth.
- Three faucet holes with one accessory hole to the right.
- SilentShield® sound-absorption technology offers quieter performance.
- Includes installation hardware.

Material

- 18-gauge stainless steel.

Installation

- Top-mount

Recommended Products/Accessories

- K-6377 Sponge Caddy
- K-6378 Kitchen Brush Caddy
- K-8801 Sink Strainer
- K-8799 Sink Strainer
- K-6379 Kitchen Squeegee

Optional Products/Accessories

- K-8803 Manual Sink Basket Strainer
- K-8804 Sink Basket Strainer Body
- K-8813 Manual Sink Strainer with Tailpiece
- K-8814 Sink Strainer

Included Components

- Additional Components:
Installation hardware

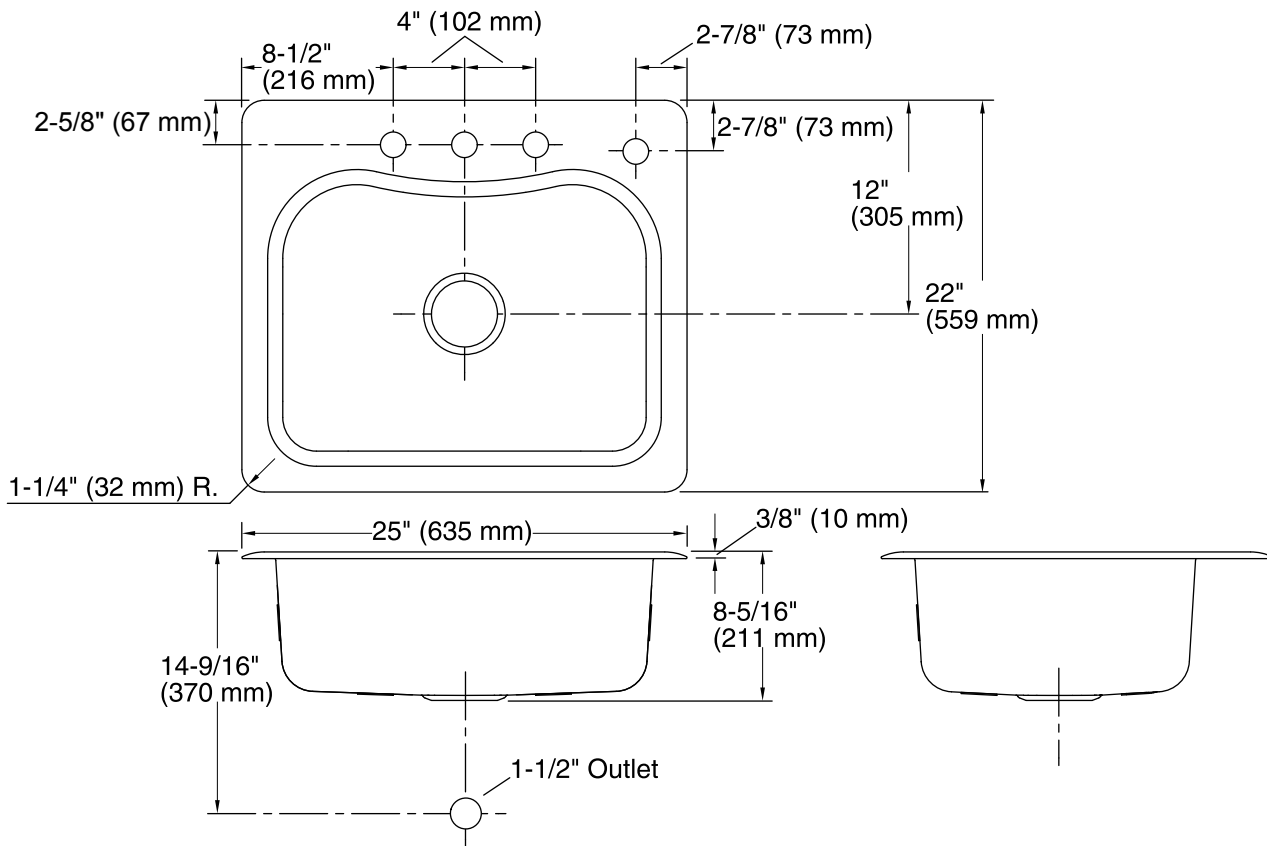


Codes/Standards

ASME A112.19.3/CSA B45.4

**Lifetime Limited Warranty for
KOHLER® Stainless Steel Sinks**

See website for detailed warranty information.



Technical Information

All product dimensions are nominal.

- Bowl configuration: Single
- Installation: Top-mount
- Cutout: Top-mount, 24-1/2" x 21-1/2" (622 mm x 546 mm) with 1" (25 mm) radius corners
- Min. base cabinet width: 27" (686 mm)
- Bowl area: Length: 21-1/8" (537 mm)
 Width: 15-11/16" (398 mm)
 Bowl depth: 8-5/16" (211 mm)
 Water depth: 8" (203 mm)
- Number of deck holes: 4
- Faucet hole spacing: 4" (102 mm)
- Faucet hole(s): 1-7/16" (37 mm)
- Drain hole: 3-5/8" (92 mm)

Notes

Install this product according to the installation instructions.