

# 8450FM, 8455FM Soft-Close Drawer Slide



## Features

- Patented Force Management™ (FM) soft-close technology
- 32mm hole pattern with direct access mounting
- Lever disconnect for easy drawer removal
- Non-handed design
- Recommended maximum drawer width 24"

8450FM: Full extension

8455FM: 1" Over travel

Action: Telescopic movement on ball-bearings

Load Rating: 8450FM: 100 lb. class

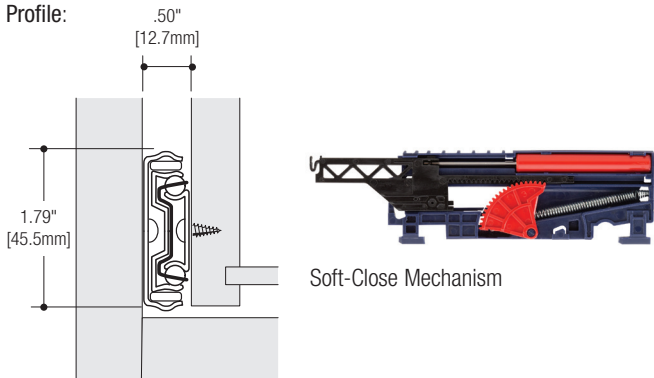
8455FM: 90 lb. class

Height: 1.79" [45.5mm]

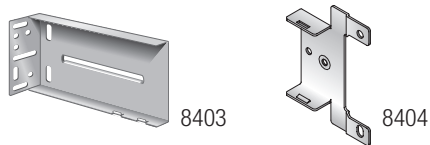
Clearance: .50" + .03" - 0" on each side

Finish: Anochrome (ANO), Ebony Black (EB)

Profile:



## Mounting Brackets



Product	Front or Rear	Finish	Pack
8403	Rear	Zinc (ZC)	20 brackets/carton
8403BBL	Rear	Zinc (ZC)	400 brackets/carton
8404	Front	Zinc (ZC)	20 brackets/carton
8404B	Front	Zinc (ZC)	400 brackets/carton
8404 EB	Front	Ebony Black (EB)	20 brackets/carton
8404BBL	Front	Zinc (ZC)	400 brackets/carton
8404B KIT	Both	Zinc (ZC)	2 [8403] + 2 [8404] + screws

## Configurations



Bulk (B)	10 pairs per carton without screws	
Poly (P)	1 pair per bag with screws; 10 pairs per carton	
<b>8450FM Anochrome (ANO) Finish</b>		
<b>Size</b>	<b>Bulk (B)</b>	<b>Poly (P)</b>
12"	8450FMB 12	8450FMP 12
14"	8450FMB 14	8450FMP 14
16"	8450FMB 16	8450FMP 16
18"	8450FMB 18	8450FMP 18
20"	8450FMB 20	8450FMP 20
22"	8450FMB 22	8450FMP 22
24"	8450FMB 24	8450FMP 24
26"	8450FMB 26	8450FMP 26
28"	8450FMB 28	8450FMP 28
<b>8450FM Ebony Black (EB) Finish</b>		
12"	8450FMB EB 12	—
14"	8450FMB EB 14	—
16"	8450FMB EB 16	—
18"	8450FMB EB 18	—
20"	8450FMB EB 20	—
22"	8450FMB EB 22	—
24"	8450FMB EB 24	—
26"	8450FMB EB 26	—
28"	8450FMB EB 28	—
<b>8455FM Anochrome (ANO) Finish</b>		
16"	8455FMB 16	8455FMP 16
18"	8455FMB 18	8455FMP 18
20"	8455FMB 20	8455FMP 20
22"	8455FMB 22	8455FMP 22
24"	8455FMB 24	8455FMP 24
26"	8455FMB 26	8455FMP 26
28"	8455FMB 28	8455FMP 28
<b>8455FM Ebony Black (EB) Finish</b>		
16"	8455FMB EB 16	—
18"	8455FMB EB 18	—
20"	8455FMB EB 20	—
22"	8455FMB EB 22	—
24"	8455FMB EB 24	—
26"	8455FMB EB 26	—
28"	8455FMB EB 28	—

Recommended Fasteners		KV Part	Finish	Qty
	#7 x 1/2" Phillips Pan Head	8500-93	Zinc (ZC)	1000
		8500-93 EB	Ebony Black (EB)	1000

□ Non-stock item – minimum order quantities and additional lead time may apply.