



120 V AC Carbon Monoxide Alarm

with 9 V Battery Backup



Part Number **900-0128-001** Model **KN-COB-IC-CA**
10-Year Limited Warranty

120 V AC Direct Wire

- Interconnects with up to 24 devices

9 V Battery Backup

Test/Reset Button



Description

The Kidde KN-COB-IC-CA is a 120V AC, wire-in carbon monoxide alarm that warns you and your family of dangerous carbon monoxide levels within your home.

This carbon monoxide alarm includes 9V battery backup that provides continuous protection, even during a power outage. The KN-COB-IC-CA can function as a stand alone unit or interconnect with up to 24 Kidde devices (of which 18 can be initiating).

Features and Benefits

- **120V Interconnectable** – Will interconnect with up to 24 other devices (18 of which can be initiating), including smoke alarms (limit of 12), CO and heat alarms.
- **9V Battery Backup** – Provides continuous protection even during power outages.
- **Test/Reset Button** – Tests the unit for proper operation. Resets the carbon monoxide alarm.
- **Tamper Resist Feature** – Unit will lock to mounting bracket to deter theft or tampering.
- **End of Life Notification** – Ten (10) years after unit is first powered, this alarm will flash its red LED and chirp two times every 30 seconds to indicate it is time to replace the alarm.



CSA-6.19-01

Architectural and Engineering Specifications

The combination smoke and carbon monoxide alarm shall be Kidde model KN-COB-IC-CA or approved equal. It shall be powered by 120V AC, 60Hz source with a 9V battery backup. The temperature operating range shall be between 4.4°C (40°F) to 37.8°C (100°F) and the humidity operating range shall be 10%–95% relative humidity, non-condensing.

The CO sensor shall be of a fuel cell design and shall meet the sensitivity requirements of CAN/CSA 6.19-01 - Residential carbon monoxide alarming devices.

The alarm can be installed on any standard single gang electrical box or a 4" octagon junction box. The electrical connection (to the alarm) shall be made with a plug-in connector. The unit shall provide optional tamper resistance that deters removal of the unit from the ceiling. No additional pieces shall be required to activate this feature.

A maximum of 24 Kidde devices can be interconnected in a multiple station arrangement. The interconnect system must not exceed the limit of 18 initiating devices, of which 12 can be smoke alarms. With 18 initiating devices (smoke, heat, CO, etc), interconnected, it is still possible to interconnect 6 strobe lights and or relay modules.

The alarm shall include a test button that will electronically simulate the presence of CO and cause the unit to go into alarm. This sequence tests the unit's electronics and horn to ensure proper operation.

The CO sensor will not alarm to levels of CO below 30 ppm and will alarm in the following time range when exposed to the corresponding levels of CO:

70 ppm CO Concentration	60 – 240 minutes
150 ppm CO Concentration	10 – 50 minutes
400 ppm CO Concentration	4 – 15 minutes

The alarm shall utilize a piezoelectric horn that is rated at 85 decibels at 10 feet. When the unit detects carbon monoxide, the alarm pattern will be four (4) short beeps - followed by five (5) seconds of silence - followed by four (4) short beeps. The unit shall incorporate "Intelligent Interconnect" feature that allows it to respond to a smoke incident when interconnected with smoke alarms. During a smoke incident, the horn will sound in the required, repetitive manner for a smoke alarm – three (3) beeps, a pause, three (3) beeps, a pause.

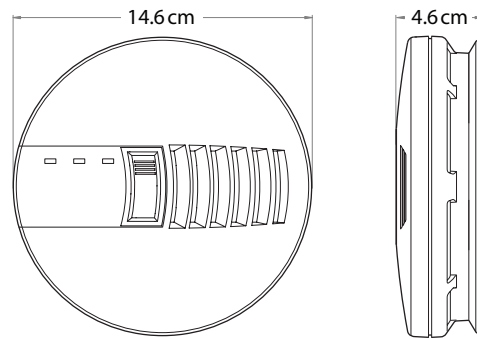
The unit shall incorporate 3 LED's. A green LED will be steady on when AC power is present and will flash every 7 seconds when in battery only mode. A red LED will flash in unison with the sounder pattern for both a smoke or CO incident, it will flash once per 30 seconds if the alarm needs service, or be steady on if the alarm is in error mode. The amber LED will illuminate if that unit is the originating alarm in a CO incident.

The unit shall also indicate a low battery warning by issuing a brief alarm chirp and the red LED will flash approximately every 15 seconds.

The unit shall at a minimum meet the requirements of CAN/CSA 6.19-01. It shall also include a 10-year manufacturer's limited warranty.

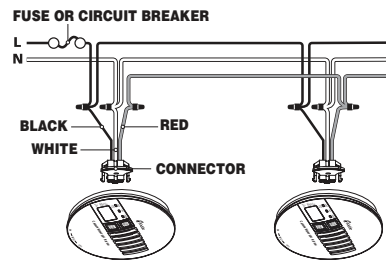
Technical Specifications

Power Source:	120V AC, 60Hz, 60mA max per alarm, 9V battery backup
Sensor:	Electrochemical
Audio Alarm	85 dB at 10 ft
Temperature Range:	4.4°C (40°F) to 37.8°C (100°F)
Humidity Range:	10%-95% relative humidity, non-condensing
Size:	14.6 cm diameter x 4.6 cm depth
Weight:	0.46 kg
Wiring:	Quick connect plug with 6" pigtails
Interconnects:	Up to 24 Kidde devices (of which 18 can be initiating)
Warranty:	10-year limited



Installation of Alarm

The carbon monoxide alarm should be installed to comply with all local codes having jurisdiction in your area. Make certain all alarms are wired to a single, continuous (non-switched) power line, which is not protected by a ground fault interrupter. A maximum of 305m (1000') of wire can be used in the interconnect system. Use standard CSA listed household wire as required by code.



Ordering Information

UPC: 0-55822-00128-5

Part Number	12 of 5	Pack Quantity	Case Dimensions (w x d x h centimeters)	Case Weight	Case/Skid
900-0128-001	100-55822-00128-2	6 units	16 cm x 33 cm x 16 cm	2.7 kg	126



Kidde Canada Inc.
P.O. Box 40, Apsley, ON K0L 1A0
1-800-880-6788
www.kiddecanada.com

Distributed by: