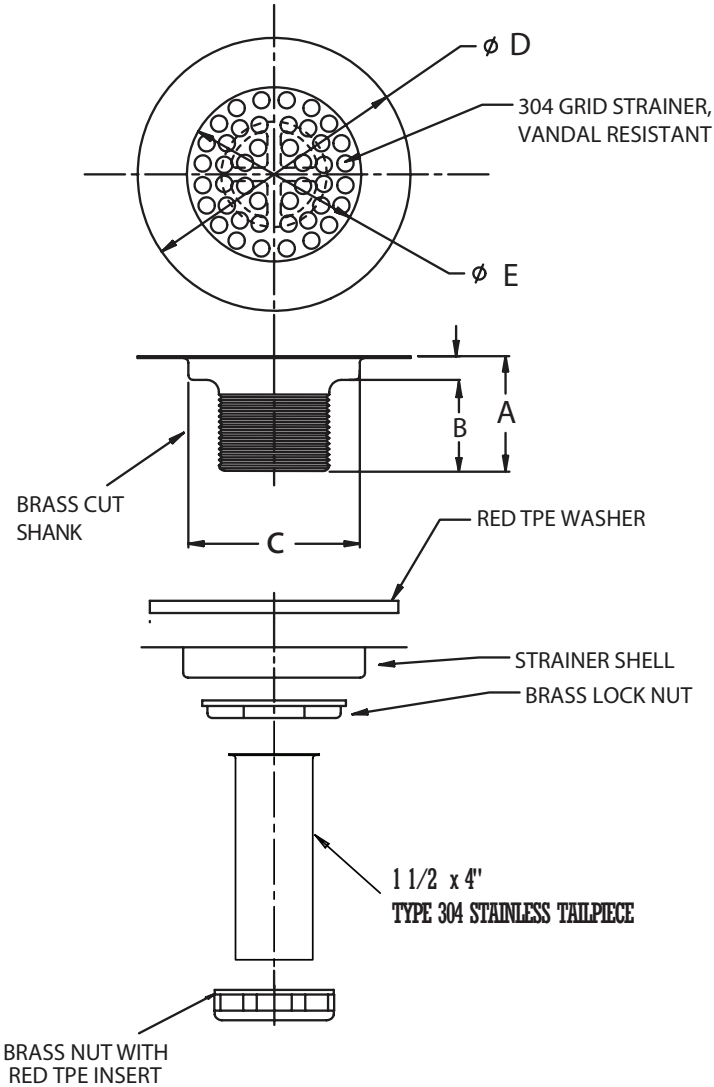




**SINK STRAINER, WIDE TOP VANDAL RESISTANT  
STYLE WITH LOCKING SHELL  
PLUMBING PRODUCT SPECIFICATION**



INSTALLATION MEASUREMENTS							
PART NO.	A	B	C	D	E	STAINLESS	BASKET STYLE
1376SST	2 5/8	1 3/4	2 13/16	4 1/2	2 3/4	304	Fixed Grid

**PART # SUFFIX DESIGNATIONS**

SS - Stainless Steel  
 T - 4" tailpiece, type 304 stainless

**DESCRIPTION**

Type 304 stainless steel wide top vandal resistant strainer with locking shell for commercial and food service sinks.

**INCLUDES:**

- Heavy duty finish
- Vandal resistant strainer top
- Red TPE washers for corrosion resistance
- Brass cut thread shank
- Factory testing to ensure leak free performance

**INDUSTRY APPROVALS**

- UPC/IAPMO

Listing of parts approved for specific codes available. See Keeney contact information below.

**SPECIFIER APPROVAL**

Job Name	Date
Model	Qty
Wholesaler	
Contractor	
Architect	

**FOR MORE INFORMATION CALL 1-800-243-0526  
OR E-MAIL NCS@UPT.COM**

THE KEENEY MANUFACTURING COMPANY  
[www.keeneymfg.com](http://www.keeneymfg.com)

*Keeney Representative  
Stamp or Label Here*