

KÄRCHER

makes a difference

K2100PS

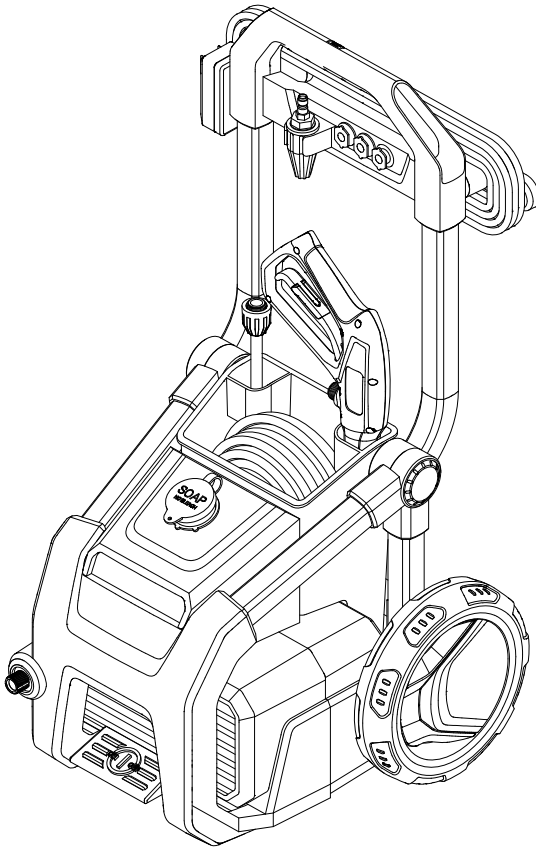
1.106-220.0

Operator Manual

Electric Pressure Washer.....4

Manuel D'utilisation

Laveuse à pression électrique 21



**Register
your product**
www.kaercher.com/welcome

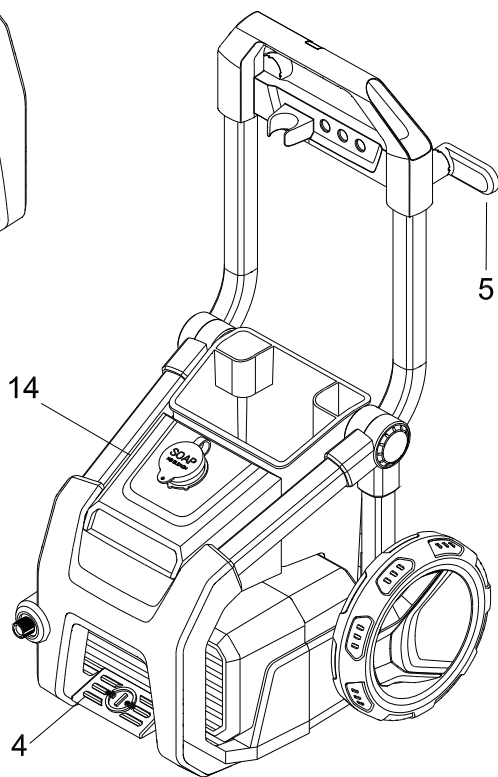
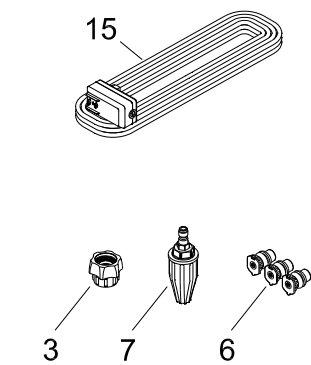
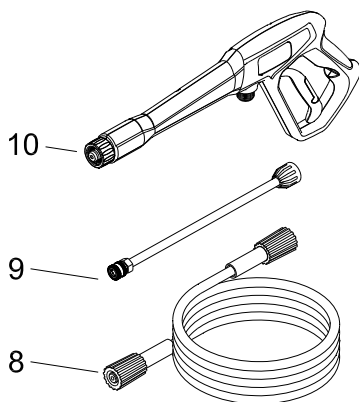
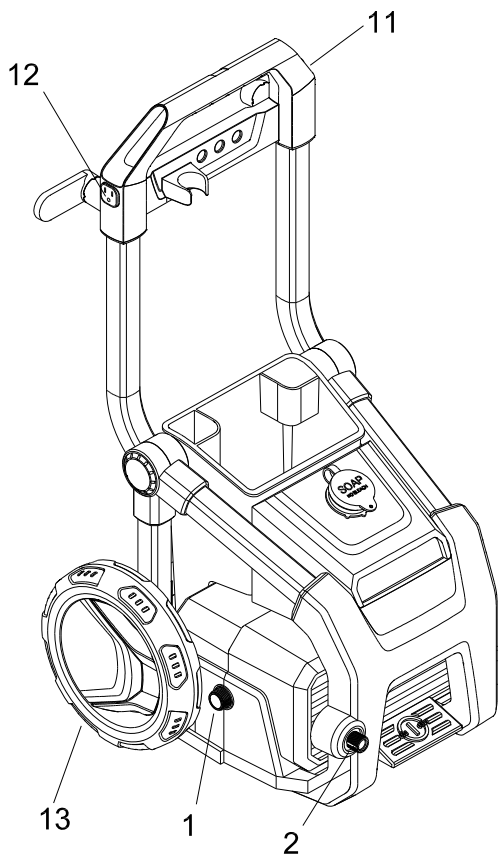
Cleaner. Quicker.™



9.808-310.0-A 11/21

Machine Parts List

1. Water Inlet
2. High Pressure Outlet
3. Hose Connector
4. ON/Off Pedal
5. Power Cord Cleat
6. Nozzles
7. Turbo Nozzle
8. High Pressure Hose
9. Spray Wand
10. Spray Gun
11. Handle
12. Plug Storage
13. Wheel
14. Detergent Tank
15. Power Cord



K2100PS Pressure Washer

Contents

Customer Service	4
Safety Instructions	5
Intended Use	8
Assembly Instructions	8
Initial Start-Up	9
Operation Instructions	10
Using the Accessories	11
Working with Detergents	12
Taking a Break.	13
Shutting Down & Cleaning Up	14
Winterizing & Long Term Storage	15
Maintenance Instructions.	15
Cleaning Tips.	16
Optional Accessories.	17
Troubleshooting.	18



READ AND COMPLY WITH ALL INSTRUCTIONS BEFORE USING THIS MACHINE.

SAVE THESE INSTRUCTIONS

Specifications

K2100PS Series

Operating Pressure	2100psi
Max Water Volume	1.2GPM
Amp Draw	13 Amps
Voltage	120V
Phase	1
Frequency	60 Hz
Model Number	1.106-220.0
Serial Number	

Customer Service

Registration

Your device must be registered in order to help with any questions or issues that you have. You can register your device at **www.karcher-register.com** if located in the U.S.A., **www.karcher/ ca** if located in Canada, or **www.karcher.com/mx** if located in Mexico.

Warranty

In the case of a warranty claim, you can contact customer support. Please see the contact information listed below for either the USA, Canada, or Mexico. You **MUST** provide your proof of purchase in order to file a warranty claim either via email, phone, or fax.

USA Customer Service

You can contact our Customer Service department by phone at **1-800-537-4129** or via the website at **www.karcher.com/us**.

Canada Customer Service

You can contact our Customer Service department by phone at **1-800-465- 4980** or via the website at **www.karcher.com/ca**.

Mexico Customer Service

You can contact our Customer Service department by phone at **01-800-024- 13-13** or via the website at **www.karcher.com/mx**.

Safety Instructions

Hazard Levels

DANGER

Indicates “an imminently hazardous situation which, if not avoided, will result in death or serious injury.”

WARNING

Indicates “a potentially hazardous situation which, if not avoided, could result in death or injury.”

CAUTION

Indicates “a potentially hazardous situation which, if not avoided, may result in minor or moderate injury or in property damage incidents.”

Important Safety Instructions

When using this product basic precautions should always be followed, including the following:

WARNING

- Read all the instructions before using the product.
- To reduce the risk of injury, close supervision is necessary when a product is used near children.

- Know how to stop the product and bleed pressures quickly. Be thoroughly familiar with the controls.
- Stay alert - watch what you are doing.
- Do not operate the product when fatigued or under the influence of alcohol or drugs.
- Keep operating area clear of all persons.
- Do not overreach or stand on unstable support. Keep good footing and balance at all times.
- Follow the maintenance instructions specified in the manual.
- This product is provided with a Ground Fault Circuit Interrupter built into the power cord plug. If replacement of the plug or cord is needed, use only identical replacement parts.

WARNING

Risk of Injection or Injury – Do Not Direct Discharge Stream At Persons.

- High-pressure jets can be dangerous if misused. The jet must not be directed at persons, animals, electrical devices, or the unit itself.
- Wear safety goggles and ear protection.

WARNING

Risk Of Fire/Explosion – Do not spray flammable liquids.

- Do not use acids, alkaline, solvents, or any flammable material in this product. These products can cause physical injuries to the operator and irreversible damage to the machine.

WARNING

Risk of Electrocution.

- Inspect cord before using - Do not use if cord is damaged.
- Keep all connections dry and off the ground.
- Do not touch plug with wet hands.
- Do not use extension cord with this product.
- Connect to individual branch circuit only.



WARNING

Risk of Eye Injury

- Spray can splash back or propel objects. Always wear properly rated eye protection such as goggles or face shield while spraying. (Safety-glasses do not provide full protection)



CAUTION

This unit has been designed for use with cleaning detergents recommended by the manufacturer. The use of other cleaning detergents may affect the operation of the machine and void the warranty.



CAUTION

Gun kicks back – Hold with both hands.

- The trigger gun safety lock prevents the trigger from accidentally being engaged. This safety feature must be engaged when replacing nozzles or not in use.
- This safety feature DOES NOT lock spray in the ON position.



WARNING

- Do not spray electrical connections, electrical outlets or fixtures.

- Do not use with flammable liquids and toxic chemicals.
- High-pressure. Keep clear of nozzle.
- Injection hazard: Equipment can cause serious injury if the spray penetrates the skin. Do not point the gun at anyone or any part of the body. In case of penetration seek medical aid immediately.
- This system is capable of producing 2100 psi. To avoid rupture and injury, do not operate this pump with components rated less than 2100 psi working pressure (including but not limited to spray guns, hose and hose connections).
- Before servicing, cleaning or removing any parts, shut off power and relieve pressure.
- If connection is made to a potable water system, the system shall be protected against back flow.

Water Supply (Cold Water Only)

CAUTION

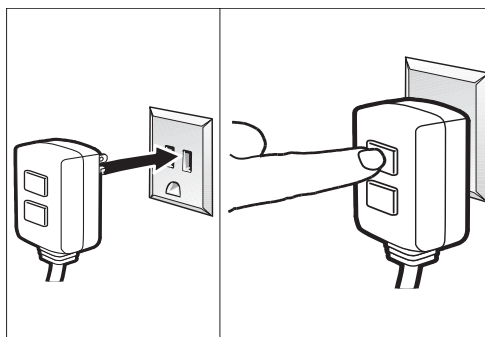
When connecting the water inlet to the water supply mains, local regulations of your water company must be observed. In some areas the unit must not be connected directly to the public drinking water supply. This is to ensure that there is no feedback of chemicals into the water supply. Direct connection via a receiver tank or backflow preventer, for example, is permitted.

Use a water filter to avoid potential damage from dirt in the water supply such as Karcher part number 4.730-059.0 from www.karcher.com.

- Garden hose must be at least 5/8 inch (16 mm) in diameter.
- Flow rate of water supply must not fall below 2 GPM/gallons per minute (7.6 L/min).
- Flow rate can be determined by running the water for one minute into an empty 5-gallon (18.9 liter) container.
- The water supply temperature must not exceed 104°F/40°C.
- Never use the pressure washer to draw in water contaminated with solvents, e.g. paint thinners, gasoline, oil, etc.
- Always prevent debris from being drawn into the unit by using a clean water source.

Ground Fault Circuit Interrupter Protection

This electric pressure washer is equipped with a Ground Fault Circuit Interrupter (GFCI) built into the plug of the power cord for your protection. The Consumer Product Safety Commission recommends that you test all GFCI's once a month. Since the frequency of pressure washer use varies, we recommend that you test the GFCI as part of your startup procedure each time you use your pressure washer. It might need to be reset before working with the pressure washer. To learn how to perform the GFCI test and how to reset it, visit <http://www.karcher-help.com> and search for GFCI for further instructions. **DO NOT USE IF GFCI FAILS TEST.**



NOTE: *The actual appearance of the GFCI may be different from this illustration.*

Intended Use

This high pressure washer (hereinafter referred to as “device”) is designed for domestic use only.

- For cleaning machines, vehicles, buildings, tools, facades, terraces, gardening tools, etc. By means of a high-pressure water jet (if necessary, with additional cleaning agents).
- With accessories, replacement parts and cleaning agents approved by KÄRCHER. Please observe the information accompanying the cleaning-agents.

Owner/User Responsibility

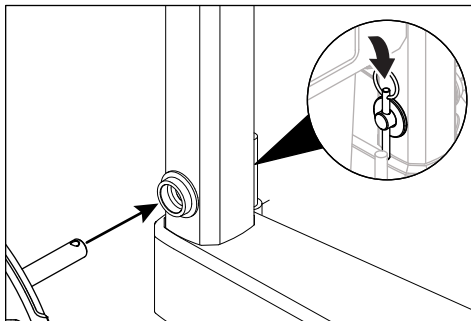
The owner and/or user must have an understanding of the manufacturer’s operating instructions and warnings before using this device.

Warning information should be emphasized and understood.

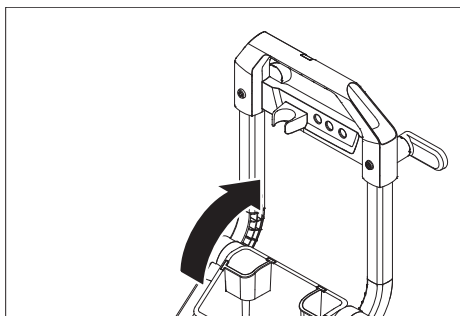
If the operator is not fluent in English, the manufacturer’s instructions and warnings shall be read to and discussed with the operator in the operator’s native language by the purchaser/owner, making sure that the operator comprehends its contents. Owner and/or user must study and maintain for future reference the manufacturer’s instructions.

Assembly Instructions

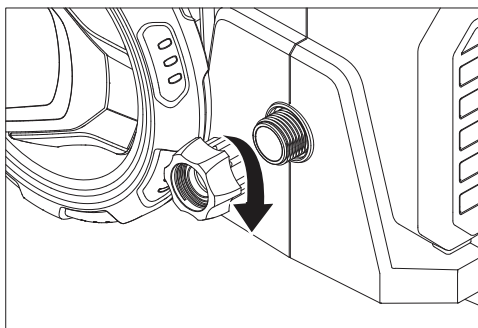
1. Insert wheels into the body of the machine. Secure with axle pin.



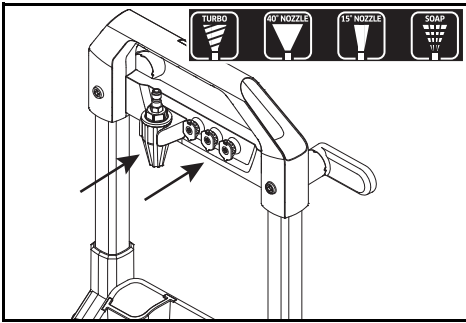
2. Push the handle into place.



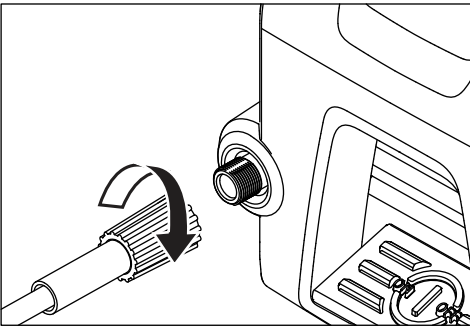
3. Install the hose connector to the water inlet.



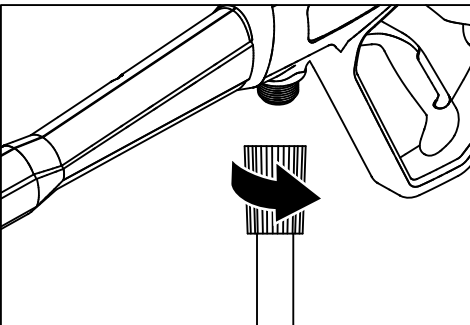
4. Attach nozzles to handle.



5. Thread one end of the high pressure hose tightly onto the high pressure outlet on the unit.

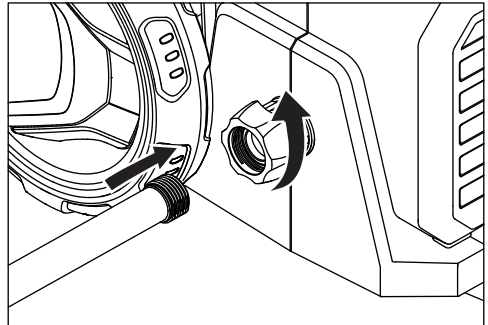


6. Thread the other end of the high pressure hose onto the spray gun inlet.

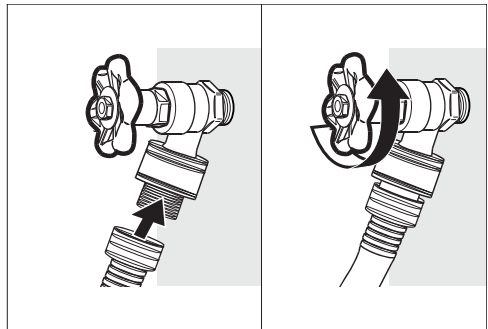


Initial Start-Up

1. Thread the garden hose onto the water inlet connector and hand tighten.

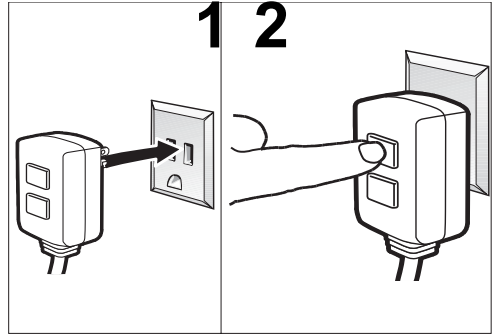
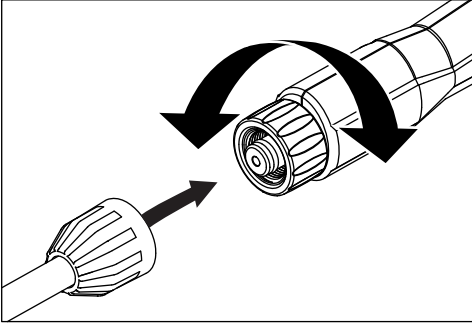


2. Connect the garden hose to the cold water source and turn the water completely on.



3. Attach the spray wand to the spray gun by pressing the gun into the

wand and hand tightening the threading of the gun onto the wand.



NOTE: The actual appearance of the GFCI may be different from this illustration.

4. Pull the lever on the trigger gun to make sure that water is flowing freely and that all air has been purged from the device.

NOTE: We recommend that you test the GFCI as part of your startup procedure each time you use the device, see chapter **GFCI INSTRUCTIONS**.

⚠ WARNING

Do not use if GFCI fails test.

GFCI Instructions

1. Plug the Ground Fault Circuit Interrupter (GFCI) into a working outlet.
2. Press “TEST”, then press “RESET” to assure proper connection.

Operation Instructions

ATTENTION

Pump running dry will cause damage to the device.

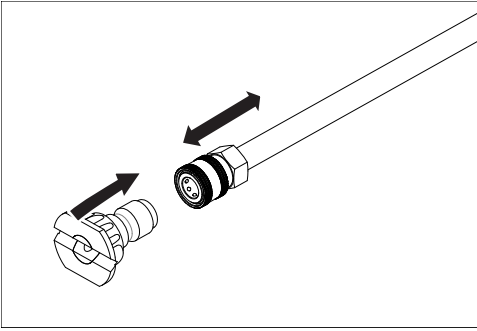
If pressure does not build up in the device after 2 minutes then switch the device off and proceed according to the instruction in chapter, Troubleshooting guide.

High Pressure Operation

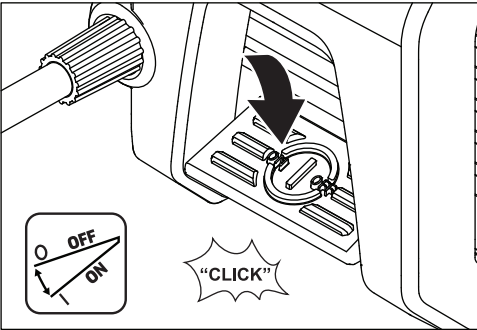
NOTE: Maintain a spraying distance of at least 12 inches (30 cm) when cleaning painted surface. Do not get closer than 24 inches (60 cm) (or 2 feet) when washing a vehicle.

1. Install the nozzle with the quick connect on the end of the wand by pulling the collar back, inserting the soap nozzle, then pushing the collar back.

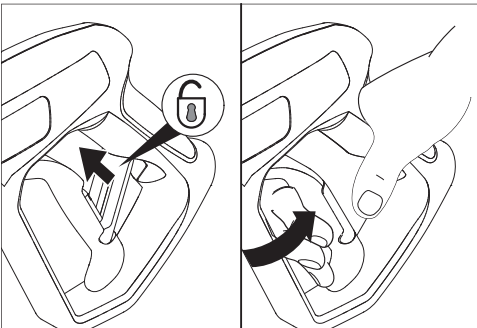
Check to make sure that Nozzle is secure.



2. Turn on the machine by stepping down on the foot pedal.
The motor starts when the trigger of the gun is pulled and shuts off when the trigger is released.



3. Unlock the Spray Gun safety lock.
Switch on the device by pulling on the lever of the trigger gun.



4. Switch off the device by releasing the lever of the trigger gun. **High pressure remains in the device.**

Using the Accessories

WARNING

To avoid serious injury, never point spray nozzle at yourself, other persons or animals.

CAUTION

Always test an inconspicuous area before cleaning with high pressure.

Using the Nozzles

Each of the nozzles has a different spray pattern. Before starting any cleaning job, determine the best nozzle for the job.



The Turbo Nozzle rotates in a zero degree spray pattern in a circular motion to break down tough dirt and grime. The spray pattern can cover an area of 4 to 8 inches (10 to 20 cm), depending on the distance between the tip and the surface being cleaned.



The 40° Nozzle is efficient for general purpose cleaning. Use to remove loose dirt and grime from most surfaces including cars, wood decks, patios, outdoor furniture, home siding and lawn & garden equipment.



The 15° Nozzle is optimized for concentrated cleaning power and time. Use to remove paint, stains, mildew,

oil, compacted dirt and grime from decks, siding, driveways and patios.



The Soap Nozzle is used to apply cleaning solution to any surface. Use to provide a thorough cleaning to all

surfaces.

Working with Detergents

For best results see Cleaning Tips for specific information on how to clean different surfaces.

Always Use Kärcher Detergent for Best Results. Kärcher biodegradable detergents are specially formulated to protect the environment and your pressure washer. The special formula won't clog the suction tube and will protect the internal parts of the pressure washer for a longer life.

For Kärcher detergents, check your retailer or visit our website: www.Karcher.com/us

CAUTION

Never Use:

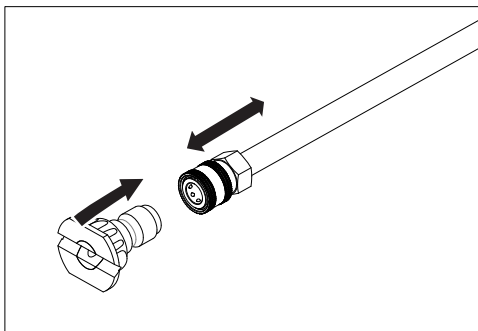
- Bleach, chlorine products and other corrosive chemicals
- Liquids containing solvents (i.e., paint thinners, gasoline, oils)
- Tri-sodium phosphate products
- Ammonia products
- Acid-based products

These chemicals will harm the unit and will damage the surface being cleaned.

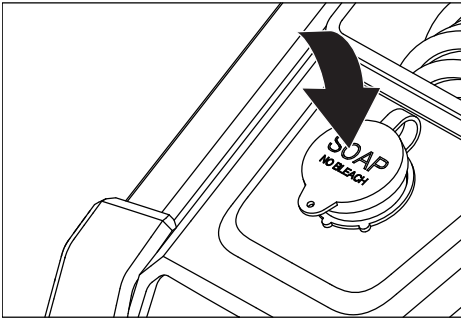
Use of these items will void the warranty.

Detergents can only be applied at low pressure.

1. Install the soap nozzle into the quick connect on the end of the wand by pulling the collar back, inserting the soap nozzle, then pushing the collar back. **Check to make sure that Nozzle is secure.**



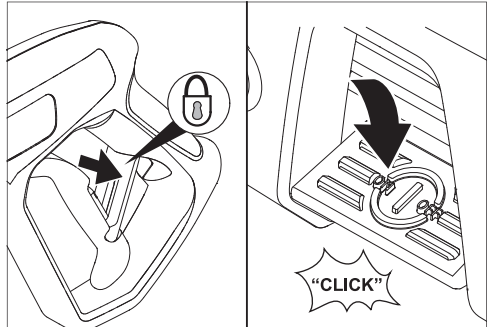
2. Fill the soap tank with Kärcher detergent.



3. Turn on the pressure washer by stepping on the foot pedal. Pull trigger to operate unit. Liquid detergent is drawn into the unit and mixed with water. Apply detergent to work area. Do not allow detergent to dry on surface.
4. To rinse, replace the soap nozzle with the 15° nozzle and pull trigger to operate.
5. Cleaning Up: Always run fresh water through the detergent tank when done to flush any remaining detergents from the injection system.

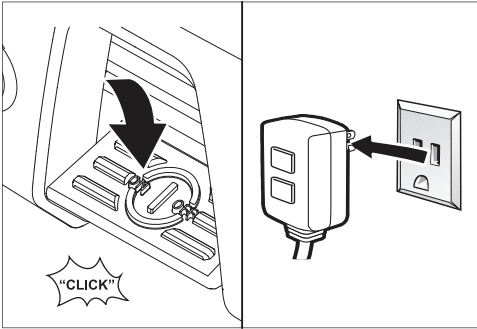
Taking a Break five minutes or more

1. Release trigger and engage gun safety lock.
2. Turn pressure washer OFF by stepping on the foot pedal.

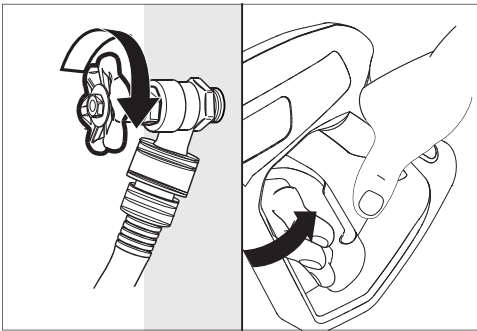


Shutting Down & Cleaning Up

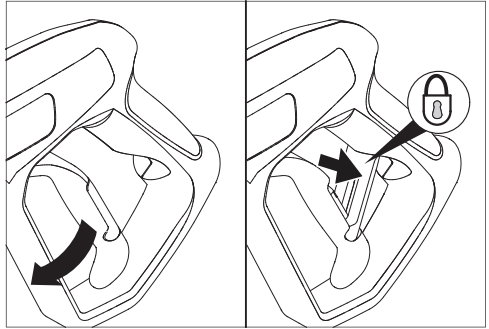
1. Turn the machine off by stepping on the foot pedal and unplug the cord from the outlet.



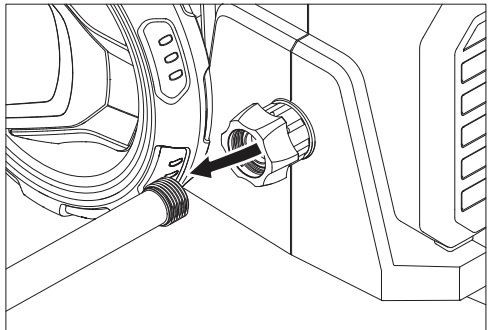
2. Turn off the water source.
3. Press trigger to release water pressure.



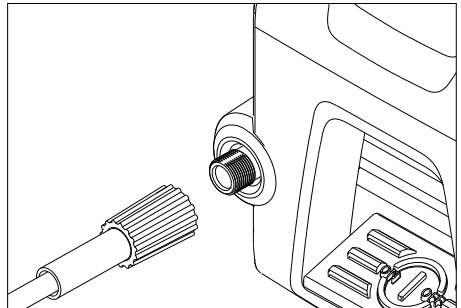
4. Release trigger and engage the gun safety lock.



5. Disconnect the garden hose from the water inlet on the machine.



6. Unthread and disconnect the high pressure hose from the machine.



Winterizing & Long Term Storage

1. Disconnect all water connections.
2. Turn on the machine for a few seconds, until the water which had remained in the pump exits, turn off immediately.
3. Do not allow high-pressure hose to become kinked.
4. Store the machine and accessories in a room which does not reach freezing temperatures. DO NOT store near furnace or other sources of heat as it may dry out the pump seals.



CAUTION

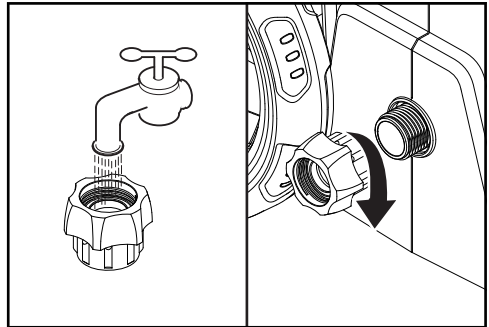
Failure to follow the above directions will result in damage to the pump assembly and accessories and will void the warranty.

Kärcher also recommends the regular practice of using a pump protector like “Kärcher Pump Guard” to prevent cold weather damage during storage in the winter months.

Maintenance Instructions

Cleaning the Water Inlet Filter

1. Disconnect the connector from the water inlet.
2. Rinse out the water inlet filter in warm water.
3. Thread the connector into the water inlet.



Maintenance

This unit is maintenance free

Cleaning Tips



CAUTION

- Before cleaning any surface an inconspicuous area should be cleaned to test spray pattern and distance for maximum cleaning results.
- If painted surfaces are peeling or chipping, use extreme caution as pressure washer may remove the loose paint from the surface.
- When using on surfaces which might come in contact with food, flush surfaces with plenty of drinking water.
- For additional cleaning tips, visit our website:

www.Karcher.com/us/

Deck Cleaning

(With or without detergent).

Pre-rinse deck and surrounding area with fresh water. If using detergent, apply to surface at low pressure. For best results, limit your work area to smaller sections of approximately 25 sq. ft (2.3 m²). Allow detergent to remain on surface 1-3 minutes. Do not allow detergent to dry on surface. Rinse at high-pressure in a long sweeping motion keeping the spray nozzle approximately 3-6 in. (7.5-15 cm) from the cleaning surface. Always clean from top to bottom and from left to right. When moving on to a new section of the cleaning surface, be sure to overlap the previous section to eliminate stop marks and ensure a more even cleaning result.

House Siding

(With or without detergent).

Pre-rinse cleaning surface with fresh water. If using detergent, apply to surface at low pressure. For best results, limit your work area to smaller sections of approximately 6sq. ft. (1.8 m). Always apply detergent from bottom to top. Allow detergent to remain on surface 1-3 minutes. Do not allow detergent to dry on surface, if surface appears to be drying, simply wet down surface with fresh water. If needed, use special wash brush attachment (not included) to remove stubborn dirt. Rinse at high-pressure from top to bottom in an even sweeping motion keeping the spray nozzle approximately 6 ft. (1.8 m) from the cleaning surface.

Cement Patios, Brick and Stone

(With or without detergent).

Pre-rinse cleaning surface with fresh water. If using detergent or degreaser, apply to surface at low pressure. For best results, limit your work area to smaller sections of approximately 25 sq. ft. (2.3 m²). Allow detergent or degreaser to remain on surface 1-3 minutes. Do not allow detergent to dry on surface. Rinse at high pressure in a sweeping motion keeping the spray nozzle approximately 3-6 in. (7.5-15 cm) from the cleaning surface. For best results clean from top to bottom and from left to right. For removing extremely stubborn stains, use the Turbo Nozzle.

Cars, Boats and Motorcycles

(With or without detergent).

Pre-rinse vehicle with fresh water. If using detergent, apply to surface at low pressure. For best results, clean one side of vehicle at a time and always apply detergent from bottom to top, do not allow detergent to dry on surface. If needed, use special wash brush attachment (not included) to remove stubborn dirt. Rinse at high-pressure in a sweeping motion keeping the spray nozzle approximately 6-8 in. (15-20 cm) from the cleaning surface (distance should increase when rinsing pin-striping or other sensitive surfaces). For best results clean from top to bottom and from left to right. For best results, wipe surface dry with a chamois or soft dry cloth.

Barbecue Grills, Outdoor Power Equipment and Gardening Tools

(With or without detergent).

Pre-rinse cleaning surface with fresh water. If using detergent or Degreaser, apply detergent at low pressure. Allow detergent to remain on surface 1-3 minutes. Do not allow detergent to dry on surface. Rinse at high-pressure keeping the spray nozzle approximately 3-6 in. (7.5-15 cm) from the cleaning surface. For removing extremely stubborn dirt, it may be necessary to move the spray nozzle even closer to the surface for greater dirt cutting action.

Patio and Lawn Furniture

(With or without detergent).

Pre-rinse furniture and surrounding area with fresh water. If using detergent, apply to surface at low pressure. Allow detergent to remain on surface 1-3 minutes. Do not allow detergent to dry on surface. If needed use special Wash Brush Attachment (not included) to remove stubborn dirt. Rinse at high-pressure in a sweeping motion keeping the spray nozzle approximately 3-6 in. (7.5-15 cm) from the cleaning surface. For best results, clean from top to bottom and from left to right.

Optional Accessories

Optional accessories are available to further enhance your cleaning capabilities. Information on accessories and spare parts can be found at www.karcher.com/int/accessory.html

Pump Guard

Specially formulated to protect your pressure washer from freezing, corrosion and premature wear. The Pump Guard also adds lubrication to valves and seals to prevent sticking. Highly recommended for all Kärcher pressure washers!

Part Number 9.558-998.0

Troubleshooting



WARNING

Disconnect the unit from the power source before making any repairs.

Symptom	Cause	Solution
Motor will not start	Power Cord not plugged in.	Plug in Power Cord.
	Electrical Outlet does not supply adequate power.	Try a different outlet.
	Tripped GFCI plug.	Press “Reset” button on GFCI plug.
	Tripped Circuit Breaker.	Reset circuit breaker.
	Thermal Overload Open.	Switch off pressure washer. The reset comes automatically once the temperature of the unit drops.
	On/Off pedal is in the “OFF” position.	Turn pedal to the “ON” position.
Unit does not reach high pressure	Diameter of garden hose is too small.	Replace with a 5/8 inch (16mm) or larger garden hose.
	Water supply is restricted.	Check garden hose for kinks, leaks and blockage.
	Not enough inlet water supply.	Open water source full force.
	Water inlet filter is clogged.	Remove garden hose adapter and rinse out in warm water.
Output pressure varies high and low	Not enough inlet water supply.	Open water source full force. Check garden hose for kinks, leaks and blockage.

Symptom	Cause	Solution
Output pressure varies high and low	Pump is sucking in air.	Check that hoses and fittings are air tight. Turn off machine and purge pump by squeezing trigger gun until a steady flow of water emerges through the nozzle.
	Water inlet filter is clogged.	Remove garden hose adapter and rinse out in warm water.
	Spray Nozzle is obstructed.	Blow out or remove debris with a fine needle.
	Calcified gun, hose or spray wand.	Run distilled vinegar through soap tank.
No Detergent	Detergent tube is not connected to the detergent tank.	Check connection.
	Detergent is too thick	Dilute detergent. For best results, use Kärcher detergent.
	Kinked detergent tube.	Check detergent tube, remove or straighten kinks.
	A high pressure nozzle is attached.	Make sure the nozzle is the Soap Nozzle.
	Spray Nozzle is obstructed.	Blow out or remove debris with a fine needle.
Garden hose connection leaks	Loose fittings.	Tighten fittings.
	Missing/worn rubber washer.	Insert new washer.
Spray wand leaks	Spray wand not properly attached.	Insert the spray wand into the trigger gun. Carefully press in against the spring tension and twist into the locked position.
	Broken o-ring or plastic insert.	Visit www.karcher-help.com or locate a service center.

Symptom	Cause	Solution
Pump is noisy	Pump is sucking in air.	Check that hoses and fittings are air tight. Turn off machine and purge pump by squeezing trigger gun until a steady flow of water emerges through the nozzle.
Water leaks from pump (up to 10 drops per minute is permissible).	Loose fittings.	Tighten fittings.
	Water seals are damaged or worn.	Visit www.karcher-help.com or locate a service center.
Oil Drip	Oil Seals are damaged or worn.	Visit www.karcher-help.com or locate a service center.

If the symptom you are experiencing is not listed above, or if the provided solutions do not solve your issue, please visit our extensive online troubleshooting database at:

USA/Canada:

www.karcher-help.com

Mexico:

www.karcher.com.mx

Or Call:

1-800-537-4129

K2100PS Pressure Washer



Veuillez lire et vous confirmer à ces instructions originales avant la première utilisation de votre appareil et conservez-les pour votre utilisation future ou celle des propriétaires subséquents.

Contenu

Mesures De Sécurité Importantes . . .	21
Instructions De Montage	24
Instructions De Fonctionnement	25
Utilisation Des Accessoires	27
Travailler Avec Des Détergents	27
Prendre Une Pause...cinq minutes ou plus	29
Arrêt Et Entretien	29
Entreposage À Long Terme Et Pour Hiver	30
Instructions D'entretien	30
Conseils De Nettoyage	31
Accessoires optionnels	33
Guide De Dépannage	34

Spécifications

K2100PS Série

Pression de service	2100psi
Volume d'eau max	1.2GPM
Amperios	13 Amps
Tension	120V

Phase	1
La fréquence	60 Hz
Numéro de modèle	1.106-220.0
Numéro de série	

Symbole d'alerte de sécurité

DANGER

Indique «une situation à risque imminent, laquelle si elle n'est pas évitée, entraînera des blessures sérieuses ou la mort».

AVERTISSEMENT

Indique «une situation à risque potentiel, laquelle si elle n'est pas évitée, pourrait entraîner des blessures ou la mort».

MISE EN GARDE

Indique «une situation à risque potentiel, laquelle si elle n'est pas évitée, peut causer des blessures mineures ou légères, ou des dommages matériels».

Mesures De Sécurité Importantes

AVERTISSEMENT

Lorsque vous utilisez ce produit, les précautions de base devraient

toujours être suivies, incluant celles-ci :

- Lisez toutes les instructions avant d'utiliser le produit.
- Pour réduire le risque de blessures, une étroite surveillance est nécessaire lorsqu'un appareil est utilisé à proximité d'un enfant.
- Sachez comment rapidement arrêter et purger la pression du produit. Soyez entièrement familier avec les commandes.
- Demeurez alerte - Portez attention à ce que vous faites.
- N'utilisez pas cet appareil lorsque vous êtes fatigués ou sous l'influence d'alcool ou de drogues.
- Assurez-vous qu'il n'y ait personne dans la zone environnant l'utilisation.
- Ne travaillez pas hors de portée ou ne montez pas sur un support instable. Maintenez un bon appui et restez en équilibre en tout temps.
- Suivez les instructions d'entretien spécifiées dans le manuel.
- Ce produit est fourni avec un disjoncteur différentiel de fuite à la terre intégré dans la fiche du cordon d'alimentation. Si on doit remplacer la fiche ou le cordon, utiliser uniquement des pièces de rechange identiques.



AVERTISSEMENT

Risque d'injection ou de blessures - Ne diffusez pas le jet directement sur des personnes.

- Les jets à haute pression peuvent être dangereux s'ils ne sont pas utilisés adéquatement. Ils ne doivent pas être dirigés directement vers des

personnes, des animaux, des appareils électriques ou vers l'appareil.

- Portez des lunettes de sécurité et un protecteur auditif.



AVERTISSEMENT

Risque d'incendie ou d'explosion - Ne pulvérisez pas de liquides inflammables.

N'utilisez pas d'acides, de solvants ou toutes matières inflammables ou alcalines avec ce produit. Ces produits peuvent causer des blessures à l'opérateur ainsi que des dommages irréversibles à l'appareil.



AVERTISSEMENT

Risque d'électrocution

- Inspecter le cordon avant l'utilisation - Ne pas utiliser si le cordon est endommagé.
- Garder toutes les connexions sèches et dégagées du sol.
- Ne pas toucher la fiche avec des mains mouillées.
- Ne pas utiliser de rallonge électrique avec ce produit.
- Connecter uniquement à un circuit de dérivation individuel.



MISE EN GARDE

Cet appareil a été conçu pour être utilisé avec les détergents nettoyants recommandés par le fabricant. L'utilisation d'autres détergents nettoyants pourrait affecter le fonctionnement de la machine et annuler la garantie.

MISE EN GARDE

Effet de recul du pistolet – Tenez-le bien avec les deux mains.

- Le verrou de sécurité du pistolet à gâchette prévient le déclenchement accidentel de la gâchette. Cette caractéristique de sécurité doit être engagée lorsque vous remplacez les buses ou lorsqu'elles ne sont pas utilisées.
- Cette fonction de sécurité NE verrouille PAS le vaporisateur en position de marche.

AVERTISSEMENT

- Ne vaporisez pas les raccordements électriques, les prises de courant ou les luminaires.
- Ne pas utiliser avec des liquides inflammables ou des produits chimiques toxiques.
- Haute pression. Se tenir éloigné de la buse.
- Danger d'injection : L'équipement peut causer une blessure grave si la vaporisation pénètre la peau. Ne jamais pointer le pistolet vers quelqu'un ou une partie quelconque du corps. En cas de pénétration, demander immédiatement une aide médicale.
- Ce système est capable de produire 2100 lb/po2. Ne pas utiliser cette pompe avec des composants ayant une pression d'utilisation nominale de moins de 2100 lb/po2 (incluant notamment les pistolets vaporisateurs, boyaux et raccords de boyaux), afin d'éviter une rupture et une blessure.

- Avant l'entretien, le nettoyage ou le retrait de toute pièce, coupez l'alimentation et libérez la pression.
- Si une connexion est établie avec un système d'eau potable, le système doit être protégé contre le refoulement.

Approvisionnement En Eau (Eau Froide Seulement)

MISE EN GARDE

Lorsque vous vous branchez à une conduite d'alimentation d'eau, vous devez respecter les réglementations locales de votre service municipal d'alimentation en eau potable. Dans certains endroits, le branchement direct à une conduite d'alimentation publique en eau potable pourrait nécessiter un dispositif de prévention pour refoulement d'eau. Cela permet de s'assurer qu'il n'y aura aucune rétroaction de produits chimiques dans l'alimentation d'eau. Un raccord direct par un réservoir récepteur ou un dispositif anti-refoulement, par exemple, est permis

Utilisez un fi ltre à eau pour prévenir les dommages potentiels provoqués par la saleté retrouvée dans l'alimentation d'eau.

- Le tuyau d'arrosage doit avoir un diamètre d'au moins 1,58 cm (5/8 po).

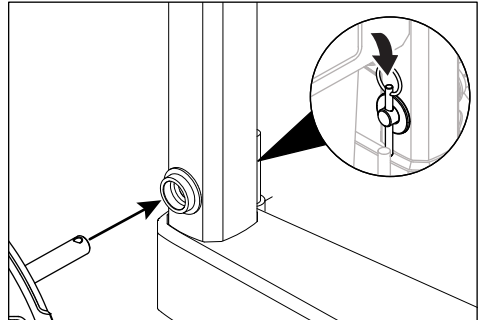
- Le débit en alimentation d'eau ne doit pas être inférieur à 7.6 lpm (litre par minute) (2 gpm - gallons par minute).
- Le débit peut être déterminé en faisant couler l'eau pendant une minute dans un contenant vide de 18,9 litres (5 gallons).
- La température en alimentation d'eau ne doit pas être supérieure à 104 °F/ 40 °C.
- N'utilisez jamais la laveuse à pression pour puiser de l'eau contaminée avec des solvants, par exemple du diluant à peinture, du carburant, de l'huile, etc.
- Veuillez toujours empêcher les débris d'être aspirés dans l'appareil en vous assurant d'utiliser une source d'eau propre.

Protection par disjoncteur différentiel de fuite à la terre

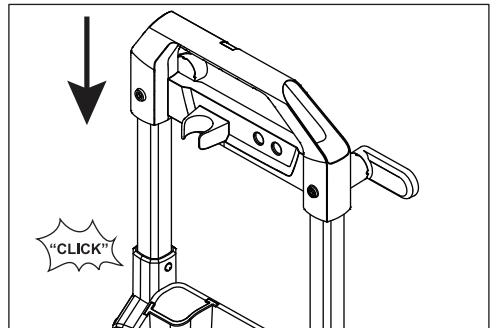
Cette machine à laver à pression est fournie avec un disjoncteur différentiel de fuite à la terre (DDFT) intégré dans la fiche du cordon d'alimentation. Ce dispositif fournit une protection supplémentaire contre le risque de décharge électrique. S'il devient nécessaire de remplacer la fiche ou le cordon, utiliser uniquement des pièces de rechange identiques comprenant une protection par DDFT.

Instructions De Montage

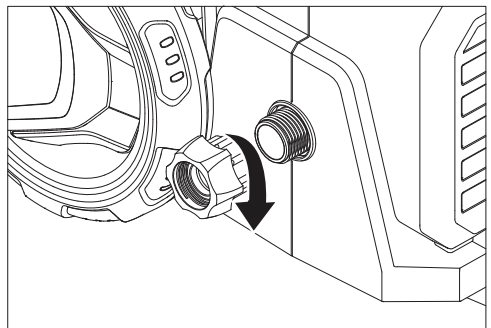
1. Insérer les roues dans le corps de la machine. Fixer la tige d'essieu.



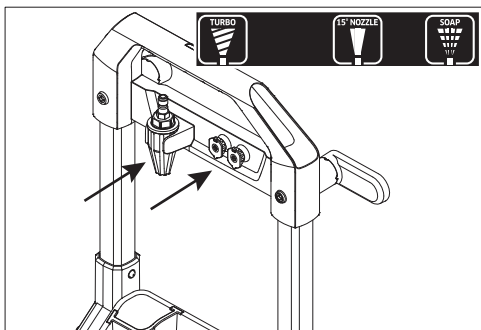
2. Tirer la poignée en place.



3. Installer le raccord de boyau sur l'entrée d'eau.

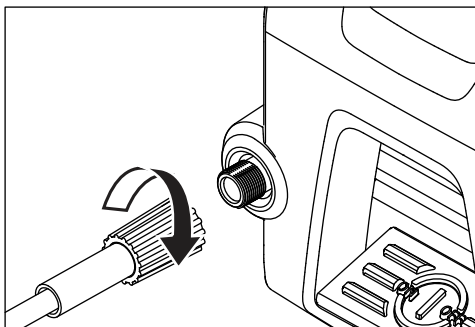


4. Fixez les buses au pistolet.

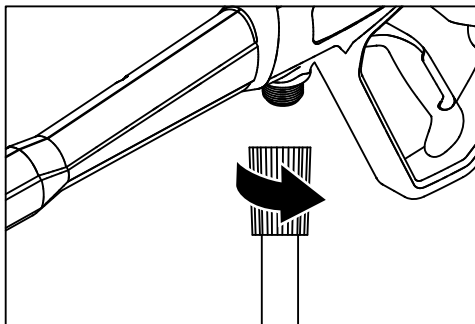


Instructions De Fonctionnement

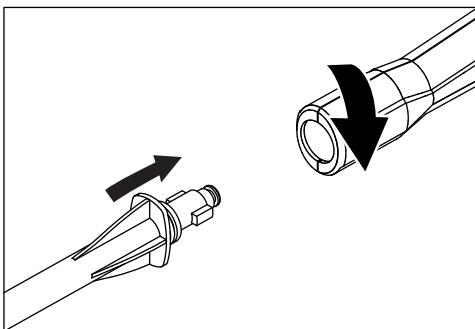
1. Vissez une extrémité du tuyau haute pression fermement sur la sortie haute pression de l'appareil.



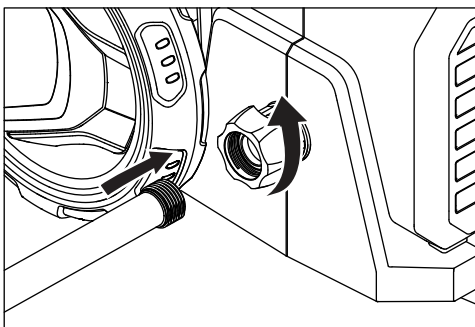
2. Vissez l'autre extrémité du tuyau à haute pression sur l'entrée du pistolet.



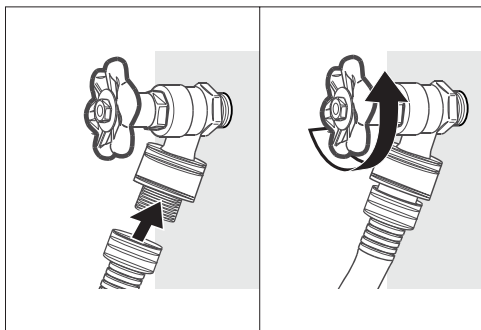
3. Insérer le tube de vaporisation dans le pistolet vaporisateur. L'appuyer contre le ressort tenseur et tourner en position verrouillée.



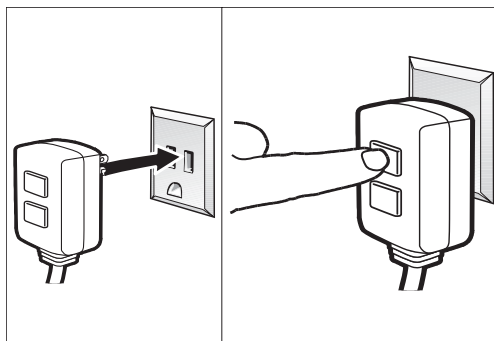
4. Visser le boyau d'arrosage dans le raccord d'entrée d'eau et serrer à la main.



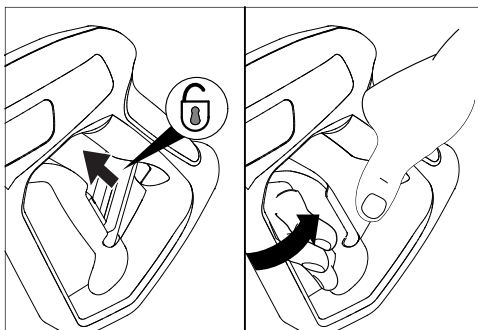
5. Raccorder le boyau d'arrosage à la source d'eau froide et ouvrir l'eau complètement.



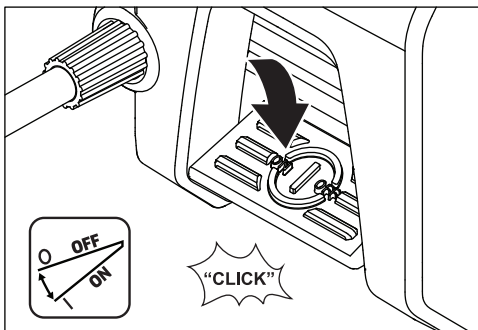
6. Brancher le disjoncteur différentiel de fuite à la terre (DDFT) dans une prise qui fonctionne. Nous vous recommandons de tester le DDFT dans le cadre de la procédure de démarrage chaque fois que vous utilisez la machine. Pour apprendre comment effectuer cette tâche, visiter Karcher-help.com/ et rechercher DDFT.



7. Déverrouiller le verrou de sécurité du pistolet vaporisateur. Déclencher le pistolet pour éliminer l'air emprisonné. Attendre qu'un flux constant d'eau émerge de la buse de vaporisation.



8. Actionner la machine et appuyant sur la pédale.



Le moteur démarre lorsque le déclencheur du pistolet est tiré et s'arrête lorsque le déclencheur est relâché.

AVERTISSEMENT

Ne pas utiliser si le DDFT échoue le test.

NOTE: L'apparence réelle du DDFT pourrait différer de cette illustration.

Utilisation Des Accessoires

AVERTISSEMENT

Pour éviter une blessure sérieuse, ne jamais pointer la buse de vaporisation vers vous-même, d'autres personnes ou des animaux.

MISE EN GARDE

Toujours tester un endroit moins en évidence avant de nettoyer avec la haute pression.

Utilisation des Buses

Chaque buse a une forme de jet différente. Avant de commencer un travail de nettoyage, déterminer quelle est la meilleure buse pour faire le travail.



La buse Turbo tourne selon une forme de jet à zéro degré dans un mouvement circulaire pour déloger la saleté et la crasse

incrustées. La forme de jet peut couvrir une surface de 4 à 8 pouces (10 à 20 cm) selon la distance entre l'embout et la surface à nettoyer.



Les 15 buses sont optimisées pour assurer une puissance et une durée concentrées du nettoyage. Utilisez-le

pour enlever la peinture, les taches, à la moisissure, l'huile, la saleté et l'accumulation de poussière et de saleté des terrasses, des parements, des entrées et des patios.



La buse de savon est utilisée pour appliquer la solution de nettoyage sur une surface quelconque.

Utilisez-la pour fournir un nettoyage en profondeur sur toutes les surfaces.

Travailler Avec Des Détergents

Pour de meilleurs résultats, voir Conseils de nettoyage pour obtenir des renseignements spécifiques sur la façon de nettoyer différentes surfaces.

Veillez toujours utiliser les détergents Kärcher; pour de meilleurs résultats.

Les détergents biodégradables Kärcher sont spécialement formulés pour protéger l'environnement et votre laveuse à pression. La formule spéciale ne bouchera pas le filtre du tube et protégera les pièces internes de la laveuse à pression pour une durée de vie prolongée. Pour les détergents Kärcher, consultez votre détaillant ou visitez notre site Web:

www.Karcher.com/us

MISE EN GARDE

Ne jamais utiliser :

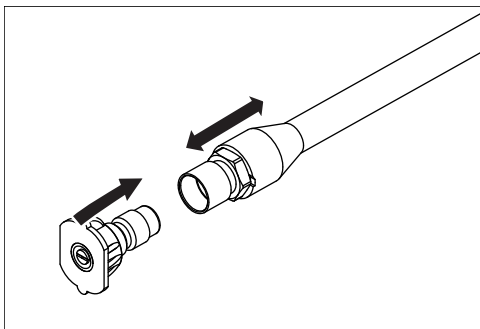
- Eau de javel, produits contenant du chlore ou d'autres produits chimiques corrosifs.
- Liquides contenant des solvants (par exemple du diluant à peinture, du carburant, de l'huile).
- Produits contenant du phosphate de trisodium.
- Produits contenant de l'ammoniaque.
- Produits à base d'acide.

Ces produits chimiques nuiront à l'appareil et endommageront la surface nettoyée.

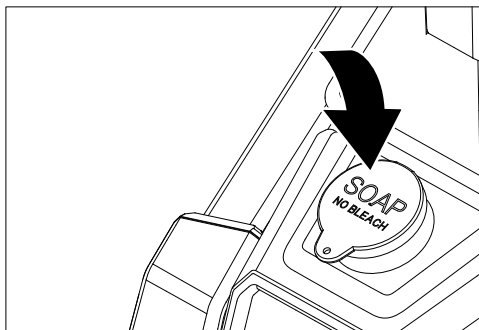
Utilisation de ces produits annulera la garantie.

Les détergents peuvent être appliqués seulement avec la basse pression.

1. Installer la buse à savon au raccord rapide à l'extrémité du tube.



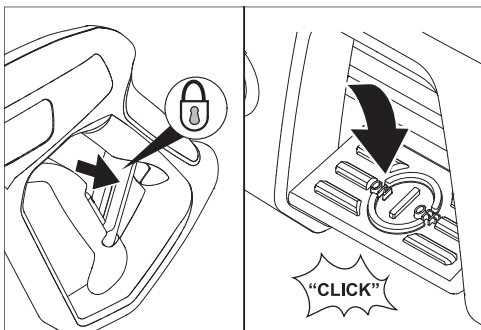
2. Remplir le réservoir de savon avec le détergent Kärcher.



3. Actionner la machine à laver à pression en appuyant sur la pédale. Tirer sur le déclencheur pour actionner l'appareil. Le détergent liquide est aspiré dans l'appareil et mélangé avec l'eau. Appliquer le détergent à la zone de travail. Ne pas laisser le détergent sécher sur la surface.
4. Pour rincer, remplacer la buse à savon par la buse à 15° et tirer sur le déclencheur pour actionner.
5. Nettoyage : Toujours faire couler de l'eau fraîche à travers le réservoir de détergent lorsque vous avez terminé afin de rincer le détergent restant du système d'injection.

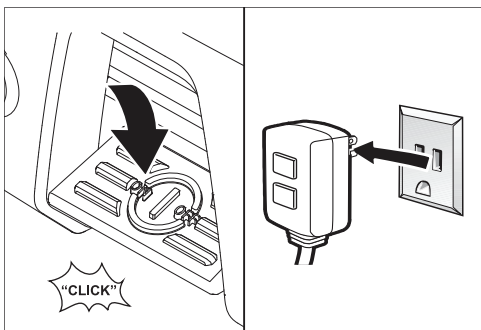
Prendre Une Pause...cinq minutes ou plus

1. Relâchez la gâchette et mettez le verrou de sécurité du pistolet.
2. Arrêter la machine à laver à pression en appuyant sur la pédale.



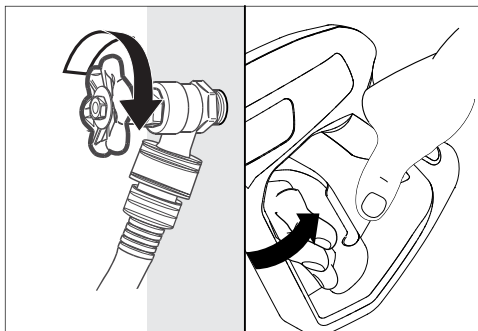
Arrêt Et Entretien

1. Arrêter la machine en appuyant sur la pédale et en débranchant le cordon de la prise.

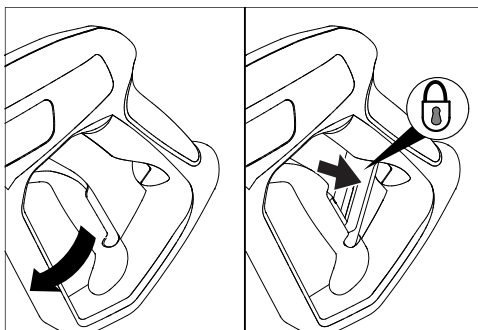


2. Fermez la source d'eau.

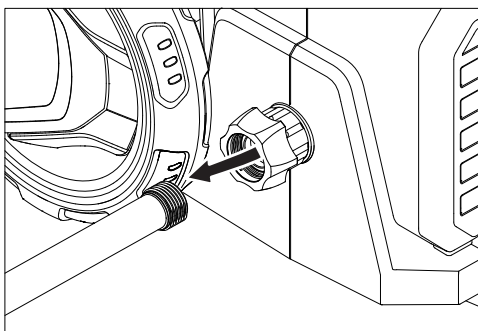
3. Appuyez sur la gâchette pour relâcher la pression d'eau.



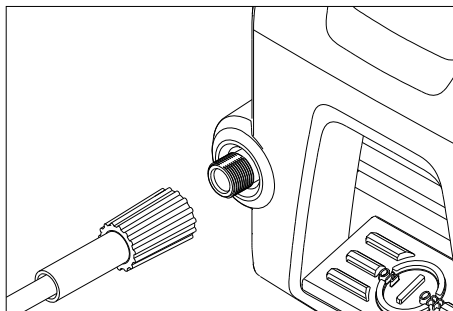
4. Relâchez la gâchette et mettez le verrou de sécurité du pistolet.



5. Débranchez le boyau d'arrosage de l'entrée d'eau de la machine.



- Dévisser et débrancher le boyau à haute pression de la machine.



Entreposage À Long Terme Et Pour Hiver

- Débranchez tous les raccords d'eau.
- Faites fonctionner l'appareil pendant quelques secondes, jusqu'à ce que l'eau qui restait dans la pompe sorte. Arrêtez immédiatement le moteur.
- Évitez de plier le boyau à haute pression.
- Rangez l'appareil et les accessoires dans un endroit où il n'y a pas de risque de gel. NE rangez PAS l'appareil près d'une fournaise ou d'autres sources de chaleur puisque cela pourrait assécher les joints d'étanchéité de la pompe.



MISE EN GARDE

Ne pas suivre les indications ci-dessus peut causer des dommages à la pompe et les accessoires et annuler la garantie.

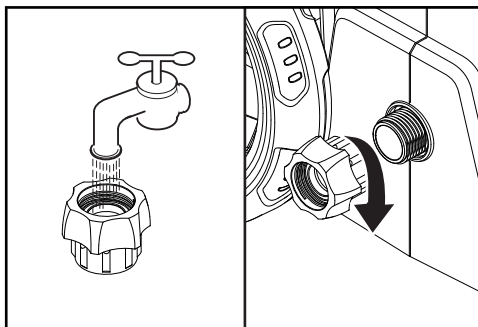
Kärcher recommande également d'utiliser régulièrement un protecteur de pompe comme " Kärcher Pump Guard " pour éviter

un dommage causé par le froid lors du stockage pendant les mois d'hiver.

Instructions D'entretien

Nettoyage du filtre d'entrée d'eau

- Débrancher le raccord de l'entrée d'eau.
- Rincer le filtre d'entrée d'eau dans l'eau chaude.
- Visser le raccord dans l'entrée d'eau.



Entretien

L'appareil ne nécessite aucun entretien.

Conseils De Nettoyage



MISE EN GARDE

- Avant de nettoyer une surface, une zone discrète devrait être nettoyée pour tester la forme du jet et la distance nécessaire pour obtenir un nettoyage maximum.
- Si les surfaces peintes s'écaillent ou s'effritent, soyez très prudent puisque la laveuse à pression pourrait enlever les écailles de peinture de la surface.
- Lorsque vous utilisez l'appareil sur des surfaces pouvant entrer en contact avec le bois, rincez les surfaces avec beaucoup d'eau douce.
- Pour des conseils de nettoyage additionnels, veuillez visiter notre site Web :

www.Karcher.com/us/

Nettoyage de la terrasse

(Avec ou sans détergent)

Effectuez un pré-rinçage de la terrasse et des zones environnantes avec de l'eau douce. Si on utilise du détergent, l'appliquer sur la surface à basse pression. Pour de meilleurs résultats, limitez votre zone de travail à des petites sections d'environ 2,3 m² (25 pi²). Veuillez laisser agir le détergent sur la surface de 1 à 3 minutes. Ne laissez pas le détergent sécher sur la surface. Rincez à haute pression en effectuant un mouvement de balayage et en gardant la buse de pulvérisation à environ 8 cm à 15 cm (3-6 po) de la

surface à nettoyer. Toujours nettoyer du haut vers le bas et de gauche à droite. Lorsque vous vous déplacez pour nettoyer une nouvelle section, assurez-vous de chevaucher la section précédente afin de prévenir les marques d'arrêts et pour assurer un nettoyage plus uniforme.

Parements de maison

(Avec ou sans détergent)

Pré-rincez la surface à nettoyer avec de l'eau douce. Si on utilise du détergent, l'appliquer sur la surface à basse pression. Pour de meilleurs résultats, limitez votre zone de travail à des petites sections d'environ 1.8 m² (6 pi²). Toujours appliquer le détergent du bas vers le haut. Veuillez laisser agir le détergent sur la surface de 1 à 3 minutes. Ne laissez pas le détergent sécher sur la surface; si la surface semble sécher, vous n'avez qu'à la mouiller avec de l'eau douce. Au besoin, utilisez une brosse spéciale pour le nettoyage (non incluse) pour enlever la saleté tenace. Rincez à haute pression dans un mouvement de balayage du haut vers le bas, tout en gardant la buse de pulvérisation à environ 1.8 m (6 pi) de la surface à nettoyer.

Patio de ciment, de briques et de pierres

(Avec ou sans détergent)

Pré-rincez la surface à nettoyer avec de l'eau douce. Si on utilise du détergent, l'appliquer sur la surface à

basse pression. Pour de meilleurs résultats, limitez votre zone de travail à des petites sections d'environ 2.3 m² (25 pi²). Laissez le détergent ou le dégraisseur sur la surface pendant 1 à 3 minutes.

Ne laissez pas le détergent sécher sur la surface.

Rincez à haute pression en effectuant un mouvement de balayage et en gardant la buse de pulvérisation à environ 7 cm à 15 cm (3-6 po) de la surface à nettoyer.

Pour de meilleurs résultats, nettoyez du haut vers le bas et de gauche à droite.

Utiliser la buse Turbo pour enlever les taches extrêmement tenaces.

Automobiles, bateaux et motocyclettes

(Avec ou sans détergent)

Effectuez un pré-rinçage de la terrasse et des zones environnantes avec de l'eau douce. Si on utilise du détergent, l'appliquer sur la surface à basse pression. Pour de meilleurs résultats, nettoyez un côté du véhicule à la fois et toujours appliquer le détergent du bas vers le haut; ne laissez pas le détergent sécher sur la surface.

Au besoin, utilisez une brosse spéciale pour le nettoyage (non incluse) pour enlever la saleté tenace.

Rincez à haute pression en effectuant un mouvement de balayage et en gardant la buse de pulvérisation à

environ 15 cm à 20 cm (6-8 po) de la surface à nettoyer (la distance devrait accroître si vous rincez des décalques ou des surfaces délicates).

Pour de meilleurs résultats, nettoyez du haut vers le bas et de gauche à droite.

Pour de meilleurs résultats, essuyez la surface avec un chamois ou un chiffon doux et sec.

Barbecues, équipements motorisés d'extérieur et outils de jardin

(Avec ou sans détergent)

Pré-rincez la surface à nettoyer avec de l'eau douce. Si on utilise du détergent ou un dégraisseur, l'appliquer sur la surface à basse pression. Laissez le détergent ou le dégraisseur sur la surface pendant 1 à 3 minutes. Ne laissez pas le détergent sécher sur la surface. Rincez à haute pression en gardant la buse de pulvérisation à environ 7 cm à 15 cm (3-6 po) de la surface à nettoyer. Pour enlever les taches très tenaces, il peut être nécessaire de déplacer la buse de pulvérisation encore plus près de la surface pour obtenir un nettoyage en profondeur de la saleté.

Patio et meubles de jardin

(Avec ou sans détergent)

Effectuez un pré-rinçage des meubles et des zones environnantes avec de l'eau douce. Si on utilise du détergent, l'appliquer sur la surface à basse pression. Veuillez laisser agir le détergent sur la surface de 1 à 3 minutes. Ne laissez pas le détergent sécher sur la surface. Au besoin, utilisez une brosse spéciale pour le nettoyage (non incluse) pour enlever la saleté tenace. Rincez à haute pression en effectuant un mouvement de balayage et en gardant la buse de pulvérisation à environ 8 cm à 15 cm (3-6 po) de la surface à nettoyer. Pour de meilleurs résultats, nettoyez du haut vers le bas et de gauche à droite.

Accessoires optionnels

Des accessoires optionnels sont disponibles pour améliorer davantage vos capacités de nettoyage. Ces accessoires sont exacts à la date d'impression de ce manuel. Veuillez consulter notre site Web pour des prix et des informations à jour.

Pump Guard

Spécialement formulé pour protéger votre machine à laver à pression du gel, de la corrosion et de l'usure prématurée. Le Pump Guard ajoute

aussi une lubrification sur les soupapes et les joints d'étanchéité afin d'éviter qu'ils collent. Fortement recommandé pour toutes les machines à laver à pression Kärcher!

Numéro de pièce 9.558-998.0

Guide De Dépannage



AVERTISSEMENT

Débrancher l'appareil de la source d'alimentation avant d'effectuer des réparations.

Symptôme	Cause	Solution
Le Moteur Ne Démarre Pas	Cordon d'alimentation non branché.	Brancher le cordon d'alimentation.
	Prise électrique ne fournit pas une alimentation adéquate.	Essayer une prise différente.
	Fiche DDFT déclenchée.	Appuyer sur le bouton " Réinitialiser " de la fiche DDFT.
	Open de surcharge thermique.	Mettre la machine à laver à pression hors circuit. La réinitialisation se produit automatiquement lorsque la température de l'appareil diminue.
	Disjoncteur déclenché.	Réenclencher le disjoncteur.
	La pédale Marche/Arrêt est en position " Arrêt ".	Mettre la pédale en position " Marche ".
L'appareil N'atteint Pas Une Haute Pression	Le diamètre du tuyau d'arrosage est trop étroit.	Remplacez par un tuyau d'arrosage de 1,58 cm (5/8 po) ou plus large.
	L'alimentation d'eau est restreinte.	Vérifiez le tuyau d'arrosage pour des torsions, des fuites et des obstructions.
	Capacité en alimentation d'eau insuffisante à l'entrée.	Ouvrez le robinet d'eau au complet.
	Le filtre à l'entrée d'eau est bloqué.	Retirer l'adaptateur du boyau d'arrosage et le rincer dans l'eau chaude.

Symptôme	Cause	Solution
La Pression De Sortie Varie De Haute À Basse	Capacité en alimentation d'eau insuffisante à l'entrée.	Ouvrez le robinet d'eau au complet. Vérifiez le tuyau d'arrosage pour des torsions, des fuites et des obstructions.
La Pression De Sortie Varie De Haute À Basse	La pompe aspire de l'air.	Assurez-vous que les tuyaux et les raccords sont bien serrés. Éteignez l'appareil et purgez la pompe en pressant la gâchette du pistolet jusqu'à ce qu'un débit d'eau constant sorte de la buse.
	Le filtre à l'entrée d'eau est bloqué.	Retirer l'adaptateur du boyau d'arrosage et le rincer dans l'eau chaude.
	La buse de pulvérisation est obstruée.	Soufflez ou enlevez les débris avec une fine aiguille.
	Pistolet, tuyau ou lance calcifiée.	Faites passer du vinaigre distillé à travers le tube d'aspiration pour déterger.
Aucun Détergent	Le tube à détergent n'est pas branché au réservoir de détergent.	Vérifier le raccord.
	Le détergent est trop épais.	Diluez le détergent. Pour de meilleurs résultats, utilisez le détergent Kärcher.
	Tube à détergent plié.	Vérifier le tube à détergent, enlever ou redresser les plis.
	Une buse à haute pression est installée.	Remplacez avec la buse pour détergent.
	La buse de pulvérisation est obstruée.	Soufflez ou enlevez les débris avec une fine aiguille.

Symptôme	Cause	Solution
Fuite De La Connexion Du Tuyau D'arrosage	Les raccords ne sont pas serrés.	Serrez les raccords.
	Rondelle de caoutchouc manquante ou endommagée.	Insérez une nouvelle rondelle.
Fuite De La Lance D'arrosage	La lance d'arrosage n'est pas correctement installée.	Insérer le tube de vaporisation dans le pistolet déclencheur. Appuyer avec soin contre le ressort tenseur et tourner en position verrouillée.
	Joint torique ou insert de plastique brisé.	Veillez visiter www.karcher-help.com ou trouver un centre de service.
La Pompe Est Bruyante	La pompe aspire de l'air.	Assurez-vous que les tuyaux et les raccords sont bien serrés. Éteignez l'appareil et purgez la pompe en pressant la gâchette du pistolet jusqu'à ce qu'un débit d'eau constant sorte de la buse.
Il Y A Une Fuite D'eau À Partir De La Pompe (Jusqu'à 10 Gouttes Par Minute Est Acceptable)	Les raccords ne sont pas serrés.	Serrez les raccords.
	Les joints hydrauliques sont endommagés ou usés.	Veillez visiter www.karcher-help.com ou trouver un centre de service.
Fuite D'huile	Les joints étanches à l'huile sont endommagés ou usés.	Veillez visiter www.karcher-help.com ou trouver un centre de service.

Si le problème que vous avez n'est pas énuméré dans la liste ci-dessus, ou si les solutions fournies ne permettent pas de résoudre le problème, veuillez visiter notre vaste banque de données pour dépannage en ligne à :

USA/Canada :
www.karcher-help.com

Mexico :
www.karcher.com.mx

Ou composez le :
1-800-537-4129



THANK YOU!

MERCI! ¡GRACIAS!



Register your product and benefit from many advantages.

Enregistrer votre produit et bénéficier de nombreux avantages.

Registre su producto y aproveche de muchas ventajas.

www.kaercher.com/welcome



Rate your product and tell us your opinion.

Évaluer votre produit et donner votre opinion.

Reseñe su producto y díganos su opinión.



Kärcher North America Inc.,

6398 Kärcher Way
Aurora, CO 80019
Tel: 1-800-537-4129

Kärcher Canada Inc.,

275 Pendant Drive, Mississauga,
Ontario L5T 2S9
Tel: +1-800-465-4980

Kärcher México S.A. de C.V.,

Circuito Poetas 68.
Col Ciudad Satélite, Naucalpan de Juárez,
Estado de México C.P. 53100, México
Tel: +52-55-2629-4900



www.kaercher.com/service