



RESIDENTIAL PRODUCTS DIRECTORY



AVAILABLE MATERIALS FOR TRIM COIL, ROLL VALLEY AND SHINGLE

(for Roof Edges, Drip Edges and Other Flashing Products material information, see page 29)

STEEL:	Standard	29 Ga.	(.015)	Thickness	Painted Trim Coil
	Standard	29 Ga.	(.015)	Thickness	"W" Valley, Bare and Painted
	Standard	32 Ga.	(.012)	Thickness	Bare Roll Valley (1)
	Economy	34 Ga.	(.010)	Thickness	Bare Roll Valley (2)
	Standard	32 Ga.	(.012)	Thickness	Shingle, Both Painted and Bare (1)
	Economy	34 Ga.	(.010)	Thickness	Bare Shingles (2)
ALUMINUM:	Standard	—	(.017)	Thickness	Painted Trim Coil
	Standard	—	(.012)	Thickness	Bare Roll Valley (1)
	Economy	—	(.009)	Thickness	Bare Roll Valley (2)
	Standard	—	(.012)	Thickness	Shingle, Both Painted and Bare

► GALVANIZED AND PAINTED STEEL ROLL VALLEY

All available in Galvanized (GV10) or Painted – White (WH20), Earth Brown (BN56), Cocoa Brown (BN50) or Teritone (TT60). Other select colors available. Nine-roll minimum for all sizes except 24", which can be ordered by the roll.



ITEM NUMBER	PRODUCT DESCRIPTION	PACKAGING PER PALLET	WEIGHT PER ROLL:	
			GALVANIZED	PAINTED
30000-	4" Roll Valley – 50'	100 rolls	8.00 lbs.	10.50 lbs.
30003-	4" Roll Valley – 10'	100 rolls	6.60 lbs.	2.10 lbs.
30005-	4" Roll Valley – 25'	100 rolls	4.00 lbs.	5.25 lbs.
30010-	6" Roll Valley – 50'	100 rolls	12.00 lbs.	16.00 lbs.
30013-	6" Roll Valley – 10'	100 rolls	2.40 lbs.	3.20 lbs.
30015-	6" Roll Valley – 25'	100 rolls	6.00 lbs.	8.00 lbs.
30020-	8" Roll Valley – 50'	150 rolls	15.50 lbs.	22.00 lbs.
30023-	8" Roll Valley – 10'	150 rolls	3.10 lbs.	4.40 lbs.
30025-	8" Roll Valley – 25'	150 rolls	7.75 lbs.	11.00 lbs.
30030-	10" Roll Valley – 50'	125 rolls	19.50 lbs.	27.50 lbs.
30033-	10" Roll Valley – 10'	125 rolls	3.90 lbs.	5.50 lbs.
30035-	10" Roll Valley – 25'	125 rolls	9.75 lbs.	13.75 lbs.
30040-	12" Roll Valley – 50'	100 rolls	23.50 lbs.	32.50 lbs.
30043-	12" Roll Valley – 10'	100 rolls	4.70 lbs.	6.50 lbs.
30045-	12" Roll Valley – 25'	100 rolls	11.75 lbs.	16.25 lbs.
30050-	14" Roll Valley – 50'	100 rolls	27.00 lbs.	37.50 lbs.

► GALVANIZED AND PAINTED STEEL ROLL VALLEY (CONT.)

All available in Galvanized (GV10) or Painted – White (WH20), Earth Brown (BN56), Cocoa Brown (BN50) or Teritone (TT60). Other select colors available. Nine-roll minimum for all sizes except 24", which can be ordered by the roll.

ITEM NUMBER	PRODUCT DESCRIPTION	PACKAGING PER PALLET	WEIGHT PER ROLL:	
			GALVANIZED	PAINTED
30053-	14" Roll Valley – 10'	100 rolls	5.40 lbs.	7.50 lbs.
30055-	14" Roll Valley – 25'	100 rolls	13.50 lbs.	18.75 lbs.
30060-	16" Roll Valley – 50'	75 rolls	31.00 lbs.	43.00 lbs.
30063-	16" Roll Valley – 10'	75 rolls	6.20 lbs.	8.60 lbs.
30065-	16" Roll Valley – 25'	75 rolls	15.50 lbs.	21.50 lbs.
30070-	18" Roll Valley – 50'	75 rolls	35.00 lbs.	48.50 lbs.
30073-	18" Roll Valley – 10'	75 rolls	7.00 lbs.	9.70 lbs.
30075-	18" Roll Valley – 25'	75 rolls	17.50 lbs.	24.25 lbs.
30080-	20" Roll Valley – 50'	50 rolls	38.50 lbs.	54.00 lbs.
30083-	20" Roll Valley – 10'	50 rolls	7.70 lbs.	10.80 lbs.
30085-	20" Roll Valley – 25'	50 rolls	19.25 lbs.	27.00 lbs.
30090-	24" Roll Valley – 50'	50 rolls	46.50 lbs.	65.00 lbs.
30093-	24" Roll Valley – 10'	50 rolls	9.30 lbs.	13.00 lbs.
30095-	24" Roll Valley – 25'	50 rolls	23.25 lbs.	32.50 lbs.
30110-	28" Roll Valley – 50'	50 rolls	54.50 lbs.	76.00 lbs.
30113-	28" Roll Valley – 10'	50 rolls	10.90 lbs.	15.20 lbs.
30115-	28" Roll Valley – 25'	50 rolls	27.25 lbs.	38.00 lbs.
30120-	30" Roll Valley – 50'	25 rolls	58.50 lbs.	81.50 lbs.
30123-	30" Roll Valley – 10'	25 rolls	11.70 lbs.	16.30 lbs.
30125-	30" Roll Valley – 25'	25 rolls	29.25 lbs.	40.75 lbs.
30130-	36" Roll Valley – 50'	25 rolls	70.50 lbs.	98.50 lbs.
30133-	36" Roll Valley – 10'	25 rolls	14.10 lbs.	19.70 lbs.
30135-	36" Roll Valley – 25'	25 rolls	35.25 lbs.	49.25 lbs.



► 16-OZ. COPPER ROLL VALLEY

Available in random-length rolls only. Approximately 60' per roll. Copper Roll Valley is priced per lbs. only. Each roll weighs approximately 100 lbs.

ITEM NUMBER	PRODUCT DESCRIPTION	PACKAGING PER PALLET	WEIGHT PER ROLL
30086-CP16	20" 16-oz. Copper Roll Valley	1 roll	95–105 lbs.

► STANDARD ALUMINUM ROLL VALLEY

Available in Bare Aluminum (AL10) only.



ITEM NUMBER	PRODUCT DESCRIPTION	PACKAGING PER PALLET	WEIGHT PER ROLL
30140-AL10	4" Standard Aluminum Roll Valley – 50'	100 rolls	2.50 lbs.
30143-AL10	4" Standard Aluminum Roll Valley – 10'	100 rolls	.50 lbs.
30145-AL10	4" Standard Aluminum Roll Valley – 25'	100 rolls	1.25 lbs.
30150-AL10	6" Standard Aluminum Roll Valley – 50'	125 rolls	3.50 lbs.
30153-AL10	6" Standard Aluminum Roll Valley – 10'	125 rolls	.70 lbs.
30155-AL10	6" Standard Aluminum Roll Valley – 25'	125 rolls	1.75 lbs.
30160-AL10	8" Standard Aluminum Roll Valley – 50'	150 rolls	5.00 lbs.
30163-AL10	8" Standard Aluminum Roll Valley – 10'	150 rolls	1.00 lbs.
30165-AL10	8" Standard Aluminum Roll Valley – 25'	150 rolls	2.50 lbs.
30170-AL10	10" Standard Aluminum Roll Valley – 50'	125 rolls	6.50 lbs.
30173-AL10	10" Standard Aluminum Roll Valley – 10'	125 rolls	1.30 lbs.
30175-AL10	10" Standard Aluminum Roll Valley – 25'	125 rolls	3.25 lbs.
30180-AL10	12" Standard Aluminum Roll Valley – 50'	100 rolls	7.00 lbs.
30183-AL10	12" Standard Aluminum Roll Valley – 10'	100 rolls	1.40 lbs.
30185-AL10	12" Standard Aluminum Roll Valley – 25'	100 rolls	3.50 lbs.
30190-AL10	14" Standard Aluminum Roll Valley – 50'	100 rolls	8.50 lbs.
30193-AL10	14" Standard Aluminum Roll Valley – 10'	100 rolls	1.70 lbs.
30195-AL10	14" Standard Aluminum Roll Valley – 25'	100 rolls	4.25 lbs.
30200-AL10	16" Standard Aluminum Roll Valley – 50'	75 rolls	9.50 lbs.
30203-AL10	16" Standard Aluminum Roll Valley – 10'	75 rolls	1.90 lbs.
30205-AL10	16" Standard Aluminum Roll Valley – 25'	75 rolls	4.75 lbs.
30210-AL10	18" Standard Aluminum Roll Valley – 50'	75 rolls	10.50 lbs.
30213-AL10	18" Standard Aluminum Roll Valley – 10'	75 rolls	2.10 lbs.
30215-AL10	18" Standard Aluminum Roll Valley – 25'	75 rolls	5.25 lbs.
30220-AL10	20" Standard Aluminum Roll Valley – 50'	50 rolls	12.00 lbs.
30223-AL10	20" Standard Aluminum Roll Valley – 10'	50 rolls	2.40 lbs.
30225-AL10	20" Standard Aluminum Roll Valley – 25'	50 rolls	6.00 lbs.
30230-AL10	24" Standard Aluminum Roll Valley – 50'	50 rolls	14.50 lbs.
30233-AL10	24" Standard Aluminum Roll Valley – 10'	50 rolls	2.90 lbs.
30235-AL10	24" Standard Aluminum Roll Valley – 25'	50 rolls	7.25 lbs.
30240-AL10	28" Standard Aluminum Roll Valley – 50'	50 rolls	17.00 lbs.
30243-AL10	28" Standard Aluminum Roll Valley – 10'	50 rolls	3.40 lbs.
30245-AL10	28" Standard Aluminum Roll Valley – 25'	50 rolls	8.50 lbs.
30250-AL10	30" Standard Aluminum Roll Valley – 50'	25 rolls	18.00 lbs.
30253-AL10	30" Standard Aluminum Roll Valley – 10'	25 rolls	3.60 lbs.
30255-AL10	30" Standard Aluminum Roll Valley – 25'	25 rolls	9.00 lbs.
30260-AL10	36" Standard Aluminum Roll Valley – 50'	25 rolls	22.00 lbs.
30263-AL10	36" Standard Aluminum Roll Valley – 10'	25 rolls	4.40 lbs.
30265-AL10	36" Standard Aluminum Roll Valley – 25'	25 rolls	11.00 lbs.

► ECONOMY ALUMINUM ROLL VALLEY

Available in Bare Aluminum (AL10) only.

ITEM NUMBER	PRODUCT DESCRIPTION	PACKAGING PER PALLET	WEIGHT PER ROLL
29140-AL10	4" Economy Aluminum Roll Valley – 50'	100 rolls	2.00 lbs.
29143-AL10	4" Economy Aluminum Roll Valley – 10'	100 rolls	.40 lbs.
29145-AL10	4" Economy Aluminum Roll Valley – 25'	100 rolls	1.00 lbs.
29150-AL10	6" Economy Aluminum Roll Valley – 50'	125 rolls	2.00 lbs.
29153-AL10	6" Economy Aluminum Roll Valley – 10'	125 rolls	.60 lbs.
29155-AL10	6" Economy Aluminum Roll Valley – 25'	125 rolls	1.50 lbs.
29160-AL10	8" Economy Aluminum Roll Valley – 50'	150 rolls	4.00 lbs.
29163-AL10	8" Economy Aluminum Roll Valley – 10'	150 rolls	.80 lbs.
29165-AL10	8" Economy Aluminum Roll Valley – 25'	150 rolls	2.00 lbs.
29170-AL10	10" Economy Aluminum Roll Valley – 50'	125 rolls	5.00 lbs.
29173-AL10	10" Economy Aluminum Roll Valley – 10'	125 rolls	1.00 lbs.
29175-AL10	10" Economy Aluminum Roll Valley – 25'	125 rolls	2.50 lbs.
29180-AL10	12" Economy Aluminum Roll Valley – 50'	100 rolls	6.00 lbs.
29183-AL10	12" Economy Aluminum Roll Valley – 10'	100 rolls	1.20 lbs.
29185-AL10	12" Economy Aluminum Roll Valley – 25'	100 rolls	3.00 lbs.
29190-AL10	14" Economy Aluminum Roll Valley – 50'	100 rolls	7.00 lbs.
29193-AL10	14" Economy Aluminum Roll Valley – 10'	100 rolls	1.40 lbs.
29195-AL10	14" Economy Aluminum Roll Valley – 25'	100 rolls	3.50 lbs.
29200-AL10	16" Economy Aluminum Roll Valley – 50'	75 rolls	8.00 lbs.
29203-AL10	16" Economy Aluminum Roll Valley – 10'	75 rolls	1.60 lbs.
29205-AL10	16" Economy Aluminum Roll Valley – 25'	75 rolls	4.00 lbs.
29210-AL10	18" Economy Aluminum Roll Valley – 50'	75 rolls	9.00 lbs.
29213-AL10	18" Economy Aluminum Roll Valley – 10'	75 rolls	1.80 lbs.
29215-AL10	18" Economy Aluminum Roll Valley – 25'	75 rolls	4.50 lbs.
29220-AL10	20" Economy Aluminum Roll Valley – 50'	50 rolls	10.50 lbs.
29223-AL10	20" Economy Aluminum Roll Valley – 10'	50 rolls	2.10 lbs.
29225-AL10	20" Economy Aluminum Roll Valley – 25'	50 rolls	5.25 lbs.
29230-AL10	24" Economy Aluminum Roll Valley – 50'	50 rolls	12.50 lbs.
29233-AL10	24" Economy Aluminum Roll Valley – 10'	50 rolls	2.50 lbs.
29235-AL10	24" Economy Aluminum Roll Valley – 25'	50 rolls	6.25 lbs.
29240-AL10	28" Economy Aluminum Roll Valley – 50'	50 rolls	14.50 lbs.
29243-AL10	28" Economy Aluminum Roll Valley – 10'	50 rolls	2.90 lbs.
29245-AL10	28" Economy Aluminum Roll Valley – 25'	50 rolls	7.25 lbs.
29250-AL10	30" Economy Aluminum Roll Valley – 50'	25 rolls	15.50 lbs.
29253-AL10	30" Economy Aluminum Roll Valley – 10'	25 rolls	3.10 lbs.
29255-AL10	30" Economy Aluminum Roll Valley – 25'	25 rolls	7.75 lbs.
29260-AL10	36" Economy Aluminum Roll Valley – 50'	25 rolls	19.00 lbs.
29263-AL10	36" Economy Aluminum Roll Valley – 10'	25 rolls	3.80 lbs.
29265-AL10	36" Economy Aluminum Roll Valley – 25'	25 rolls	9.50 lbs.



▶ PAINTED ALUMINUM TRIM COILS

Each roll individually cartoned; both sides of roll painted finish. Available Painted – White/Brown Aluminum (AL70), White/Black Aluminum (AL71), White/Teritone Aluminum (AL72) or White/White Aluminum (AL73).



ITEM NUMBER	PRODUCT DESCRIPTION	PACKAGING PER ROLL	WEIGHT PER ROLL
30140-	4" Standard Aluminum Roll Valley – 50'	100 rolls	4.00 lbs.
30143-	4" Standard Aluminum Roll Valley – 10'	100 rolls	.80 lbs.
30145-	4" Standard Aluminum Roll Valley – 25'	100 rolls	2.00 lbs.
30150-	6" Standard Aluminum Roll Valley – 50'	125 rolls	6.00 lbs.
30153-	6" Standard Aluminum Roll Valley – 10'	125 rolls	1.20 lbs.
30155-	6" Standard Aluminum Roll Valley – 25'	125 rolls	3.00 lbs.
30160-	8" Standard Aluminum Roll Valley – 50'	150 rolls	8.00 lbs.
30163-	8" Standard Aluminum Roll Valley – 10'	150 rolls	1.60 lbs.
30165-	8" Standard Aluminum Roll Valley – 25'	150 rolls	4.00 lbs.
30170-	10" Standard Aluminum Roll Valley – 50'	125 rolls	10.00 lbs.
30173-	10" Standard Aluminum Roll Valley – 10'	125 rolls	2.00 lbs.
30175-	10" Standard Aluminum Roll Valley – 25'	125 rolls	5.00 lbs.
30180-	12" Standard Aluminum Roll Valley – 50'	100 rolls	12.00 lbs.
30183-	12" Standard Aluminum Roll Valley – 10'	100 rolls	2.40 lbs.
30185-	12" Standard Aluminum Roll Valley – 25'	100 rolls	6.00 lbs.
30190-	14" Standard Aluminum Roll Valley – 50'	100 rolls	14.00 lbs.
30193-	14" Standard Aluminum Roll Valley – 10'	100 rolls	2.80 lbs.
30195-	14" Standard Aluminum Roll Valley – 25'	100 rolls	7.00 lbs.
30200-	16" Standard Aluminum Roll Valley – 50'	75 rolls	16.00 lbs.
30203-	16" Standard Aluminum Roll Valley – 10'	75 rolls	3.20 lbs.
30205-	16" Standard Aluminum Roll Valley – 25'	75 rolls	8.00 lbs.
30210-	18" Standard Aluminum Roll Valley – 50'	75 rolls	18.00 lbs.
30213-	18" Standard Aluminum Roll Valley – 10'	75 rolls	3.60 lbs.
30215-	18" Standard Aluminum Roll Valley – 25'	75 rolls	9.00 lbs.
30220-	20" Standard Aluminum Roll Valley – 50'	50 rolls	20.00 lbs.
30223-	20" Standard Aluminum Roll Valley – 10'	50 rolls	4.00 lbs.
30225-	20" Standard Aluminum Roll Valley – 25'	50 rolls	10.00 lbs.
30230-	24" Standard Aluminum Roll Valley – 50'	50 rolls	24.00 lbs.
30233-	24" Standard Aluminum Roll Valley – 10'	50 rolls	4.80 lbs.
30235-	24" Standard Aluminum Roll Valley – 25'	50 rolls	12.00 lbs.

▶ FLAT SHEETS

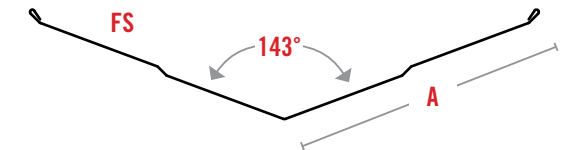
Available in Galvanized (GV10), Painted – White (WH20), Earth Brown (BN56), Cocoa Brown (BN50), Teritone (TT60) or 16-oz. Copper (CP16). Other select colors available; 25-sheet minimum per color.

ITEM NUMBER	PRODUCT DESCRIPTION	WEIGHT PER PIECE
70200-	26-Ga. Sheet – 36" x 96"	21.74 lbs.
70220-	26-Ga. Sheet – 36" x 120"	27.18 lbs.
70720-	29-Ga. Sheet – 36" x 96"	15.74 lbs.
70740-	29-Ga. Sheet – 36" x 120"	19.68 lbs.

▶ #89 FORMED VALLEY

Available in Steel, Galvanized (GV10), Painted – White (WH20), Earth Brown (BN56), Cocoa Brown (BN50), Teritone (TT60) or 16-oz. Copper (CP16). Other select colors and gauges available; inquire about minimum quantities.

ITEM NUMBER	PRODUCT DESCRIPTION	PACKAGING	WEIGHT PER PIECE:
30310-	14" #89 Formed Valley – 10'	10 pcs.	7.65 lbs.
30350-	20" #89 Formed Valley – 10'	10 pcs.	10.93 lbs.

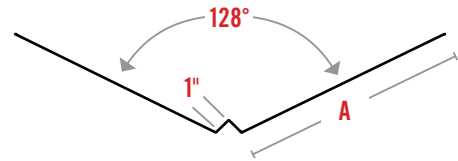


DIMENSIONS

	A
30310	6-5/8"
30350	9-5/8"

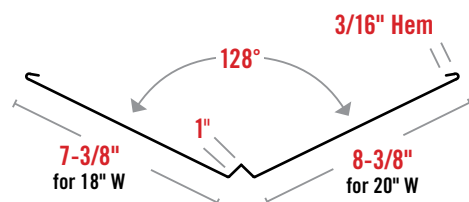
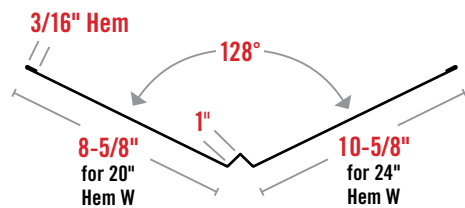
► STYLE “W” FORMED VALLEY

Available in Steel, Galvanized (GV10), Painted – White (WH20), Earth Brown (BN56), Cocoa Brown (BN50), Teritone (TT60) or 16-oz. Copper (CP16). Also available in Aluminum, Bare Aluminum (AL10), Painted – White Aluminum (AL20), Brown Aluminum (AL50), Black Aluminum (AL30) or Teritone Aluminum (AL80). Other select colors and gauges available; inquire about minimum quantities.



DIMENSIONS

	A
30510	5-7/8"
30550	8-7/8"
30590	10-7/8"
30620	13-7/8"
30530	7-7/8"
30570	9-7/8"
30600	11-7/8"
30645	16-7/8"



ITEM NUMBER	PRODUCT DESCRIPTION	PACKAGING	WEIGHT PER PIECE:	
			STEEL	ALUMINUM
30510-	14" Style W Formed Valley – 10'	10 pcs.	7.50 lbs.	2.80 lbs.
30530-	18" Style W Formed Valley – 10'	10 pcs.	9.70 lbs.	3.80 lbs.
30550-	20" Style W Formed Valley – 10'	10 pcs.	10.80 lbs.	4.00 lbs.
30570-	22" Style W Formed Valley – 10'	10 pcs.	11.90 lbs.	4.40 lbs.
30590-	24" Style W Formed Valley – 10'	10 pcs.	13.00 lbs.	4.80 lbs.
30600-	26" Style W Formed Valley – 10'	10 pcs.	14.04 lbs.	N/A
30620-	30" Style W Formed Valley – 10'	10 pcs.	18.00 lbs.	N/A
30645-	36" Style W Formed Valley – 10'	10 pcs.	21.60 lbs.	N/A

Style W Formed Valley with Hem

30554-	20" Style W Formed Valley w/ Hem – 10'	10 pcs.	10.80 lbs.	4.00 lbs.
30549-	20" Style W Formed Valley w/ Hem – 26 Ga. – 10'	10 pcs.	13.20 lbs.	N/A
30594-	24" Style W Formed Valley w/ Hem – 10'	10 pcs.	13.00 lbs.	4.05 lbs.
30597-	24" Style W Formed Valley w/ Hem – 26 Ga. – 10'	10 pcs.	15.83 lbs.	N/A

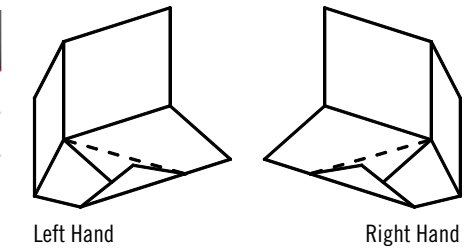
Style W Formed Valley with Crimp

30536-	18" Style W Formed Valley w/ Crimp – 10'	10 pcs.	9.70 lbs.	3.60 lbs.
30535-	18" Style W Formed Valley w/ Crimp – 26 Ga. – 10'	10 pcs.	13.59 lbs.	N/A
30553-	20" Style W Formed Valley w/ Crimp – 10'	10 pcs.	10.80 lbs.	4.00 lbs.
30558-	20" Style W Formed Valley w/ Crimp – 26 Ga. – 10'	10 pcs.	13.40 lbs.	N/A

► KICK-OUT FLASHING (FORMED FROM 4 X 4 X 8 CRIMPED SHINGLE)

Available in steel only. Galvanized (GV10) or two-sided painted. Colors: White (WH20), Earth Brown (BN56), Black (BK71), Teritone (TT60) or Smoke Gray (GY76).

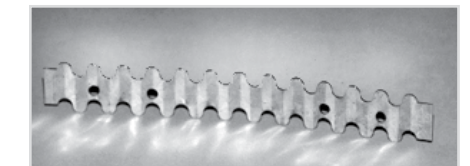
ITEM NUMBER	PRODUCT DESCRIPTION	PACKAGING	WEIGHT PER CTN.
31545-	Left Hand, Seamless, 130° Deflection	25/box	4.63 lbs./box
31544-	Right Hand, Seamless, 130° Deflection	25/box	4.63 lbs./box



► WALL TIES

Galvanized (GV10) only.

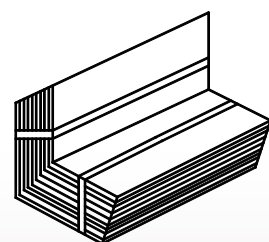
ITEM NUMBER	PRODUCT DESCRIPTION	PACKAGING	WEIGHT PER CTN.
31550-GV10	7/8" x 7" Straight Wall Ties – Std. Ga.	1,000 pcs.	27.28 lbs.
31551-GV10	7/8" x 7" Straight Wall Ties – Std. Ga.	500 pcs.	13.95 lbs.
31552-GV10	7/8" x 7" Straight Wall Ties – 24 Ga.	500 pcs.	29.42 lbs.
31560-GV10	7/8" x 7" Zigzag Wall Ties – Std. Ga.	500 pcs.	9.22 lbs.
31570-GV10	7/8" x 7" Zigzag Wall Ties – 24 Ga.	500 pcs.	29.92 lbs.



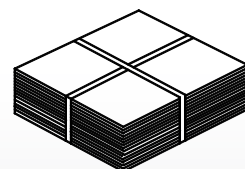
► FLASHING SHINGLES (CRIMP STEP FLASHING OR FLAT BABY TINS)

All sizes available flat or with 90° Crimp (bend). Available in Steel, Galvanized (GV10), Painted – White (WH20), Earth Brown (BN56), Cocoa Brown (BN50), Teritone (TT60) or 16-oz. Copper (CP16). Also available in Aluminum, Bare Aluminum (AL10), Painted – White Aluminum (AL20), Brown Aluminum (AL50), Black Aluminum (AL30) or Teritone Aluminum (AL80). Other select colors and gauges available; inquire about minimum quantities. 500-pc. carton available in Aluminum only.

ITEM NUMBER	PRODUCT DESCRIPTION	PACKAGING PER CTN./BDL.	WEIGHT PER CTN./BDL.	
			STEEL	ALUMINUM
31405-	5" x 7" Shingles	100/ctn.	11.96 lbs.	4.08 lbs.
31410-	5" x 7" Shingles	100/bdl.	11.96 lbs.	4.08 lbs.
31416-	5" x 7" Shingles	500/ctn.	N/A	20.80 lbs.
31412-	5" x 7" Shingles w/ Crimp (2-1/2" x 2-1/2" x 7")	100/ctn.	16.96 lbs.	4.08 lbs.
31417-	5" x 7" Shingles w/ Crimp (2-1/2" x 2-1/2" x 7")	500/ctn.	N/A	20.80 lbs.
31413-	5" x 7" Shingles w/ Crimp (2" x 3" x 7")	100/ctn.	16.96 lbs.	4.08 lbs.
31418-	5" x 7" Shingles w/ Crimp (2" x 3" x 7")	500/ctn.	N/A	20.80 lbs.
31440-	6" x 8" Shingles	100/ctn.	20.67 lbs.	6.67 lbs.
31442-	6" x 8" Shingles w/ Crimp (3" x 3" x 8")	100/ctn.	20.67 lbs.	6.67 lbs.
31458-	7" x 7" Shingles w/ Crimp (3" x 4" x 7")	500/ctn.	N/A	26.25 lbs.
31450-	7" x 9" Shingles	100/bdl.	20.25 lbs.	7.68 lbs.
31446-	7" x 10" Shingles	500/ctn.	N/A	37.50 lbs.
31460-	8" x 7" Shingles	100/bdl.	18.08 lbs.	7.20 lbs.
31465-	8" x 7" Shingles	500/ctn.	N/A	30.53 lbs.
31480-	8" x 8" Shingles	100/bdl.	20.67 lbs.	7.33 lbs.
31483-	8" x 8" Shingles	500/ctn.	N/A	36.67 lbs.
31482-	8" x 8" Shingles w/ Crimp (4" x 4" x 8")	100/ctn.	20.67 lbs.	7.33 lbs.
31484-	8" x 8" Shingles w/ Crimp (4" x 4" x 8")	500/ctn.	N/A	36.67 lbs.
31486-	8" x 9" Shingles	500/ctn.	N/A	37.50 lbs.
31496-	8" x 10" Shingles	500/ctn.	N/A	45.83 lbs.
31497-	10" x 8" Shingles w/ Crimp (5" x 5" x 8")	100/bdl.	26.67 lbs.	9.17 lbs.
31500-	10" x 10" Shingles	100/bdl.	32.50 lbs.	10.83 lbs.
31502-	10" x 10" Shingles w/ Crimp (5" x 5" x 10")	100/bdl.	32.50 lbs.	10.83 lbs.
31520-	8" x 14" Shingles	50/bdl.	18.67 lbs.	5.83 lbs.
31522-	8" x 14" Shingles w/ Crimp (4" x 4" x 14")	50/bdl.	18.67 lbs.	5.83 lbs.



Crimp Step Flashing



Flat Baby Tins

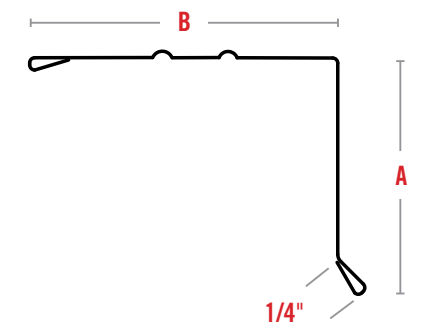
AVAILABLE MATERIALS FOR ROOF EDGES, DRIP EDGES AND OTHER FLASHING PRODUCTS

(for Trim Coil, Formed Valley, Roll Valley and Shingle material information see page 20)

STEEL: Standard	29 Ga.	(.015)	Thickness	Bare Galvanized, Painted White, Brown, Teritone, Black or 16-oz. Copper. Other colors and textures available; inquire about minimum quantities.
Economy	32 Ga.	(.012)	Thickness	Bare Galvanized, Painted White, Brown, Teritone or Black
PAINTED ALUMINUM: Standard	—	(.017)	Thickness	White, Brown, Teritone, or Black. Other colors and textures available; inquire about minimum quantities.
Economy	—	(.012)	Thickness	White, Brown, Teritone, or Black.
BARE ALUMINUM: Standard	—	(.012)	Thickness	

► STYLE "A" ROOF EDGE

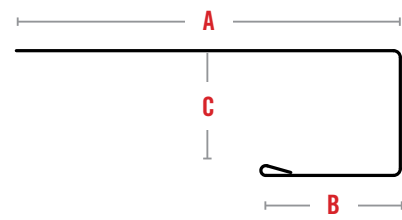
ITEM NUMBER	PRODUCT DESCRIPTION	PACKAGING SPIRAL WRAPPED, PER BDL.	WEIGHT PER PIECE:	
			STEEL	ALUMINUM
32005-	3" Style A Roof Edge – 10'	50/bdl.	1.80 lbs.	.70 lbs.
32007-	3-1/2" Style A Roof Edge – 10'	50/bdl. Aluminum 25/bdl. Steel	2.20 lbs.	.80 lbs.
32015-	4" Style A Roof Edge – 10'	25/bdl.	2.50 lbs.	.90 lbs.
32025-	2" x 2" Style A Roof Edge – 10'	25/bdl.	2.50 lbs.	.90 lbs.
32034-	1-1/2" x 3" Style A Roof Edge – 10'	50/bdl. Aluminum 25/bdl. Steel	2.66 lbs.	1.00 lbs.
32030-	5" Style A Roof Edge – 10'	25/bdl.	3.00 lbs.	N/A
32033-	1-1/2" x 3-1/2" Style A Roof Edge – 10'	50/bdl. Aluminum 25/bdl. Steel	2.00 lbs.	1.10 lbs.
32035-	3" x 3" Style A Roof Edge – 10'	25/bdl.	3.60 lbs.	N/A
32040-	4" x 4" Style A Roof Edge – 10'	10/bdl.	4.60 lbs.	1.80 lbs.



DIMENSIONS

	A	B
32005	1"	2"
32007	1-1/2"	2"
32015	1"	3"
32025	2"	1-5/8"
32034	1-1/2"	3"
32030	1"	4"
32033	1-1/2"	3-1/2"
32035	3"	2-7/8"
32040	4"	3-7/8"

► STYLE “C” AND “CC” ROOF EDGE

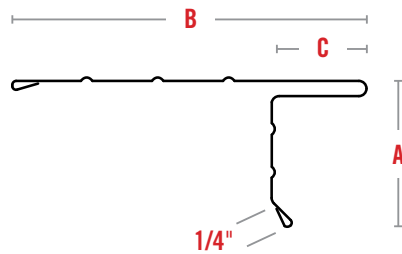


ITEM NUMBER	PRODUCT DESCRIPTION	PACKAGING SPIRAL WRAPPED, PER CTN.	WEIGHT PER PIECE:	
			STEEL	ALUMINUM
32200-	5" Style C Roof Edge w/ Hems – 10'	25/ctn.	2.70 lbs.	1.00 lbs.
32300-	5" Style CC Roof Edge w/ Hems – 10'	25/ctn.	2.70 lbs.	1.00 lbs.
32310-	6" Style CC Roof Edge w/ Hems – 10'	25/ctn.	3.30 lbs.	1.23 lbs.

DIMENSIONS

	A	B	C
32200	3"	1"	1"
32230	3"	1"	1"
32310	3-1/2"	1"	1-1/2"

► STYLE “D” AND “SR” ROOF EDGE



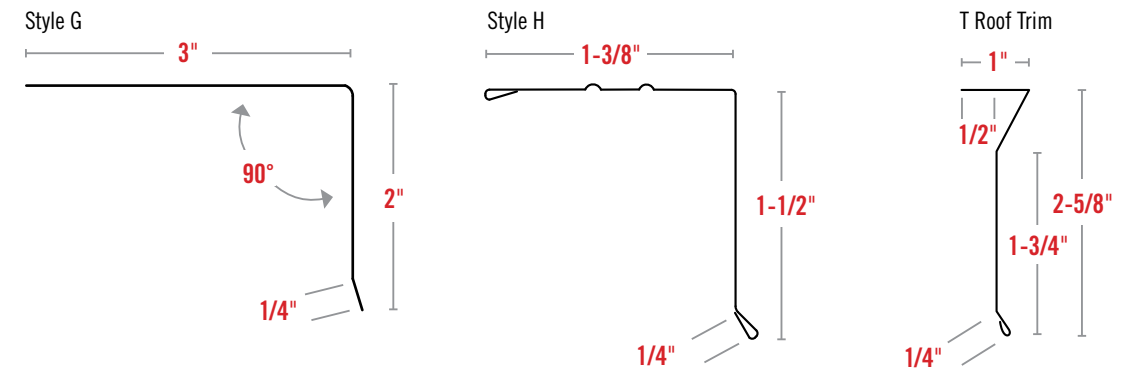
ITEM NUMBER	PRODUCT DESCRIPTION	PACKAGING PER CTN.	WEIGHT PER PIECE:	
			STEEL	ALUMINUM
32483-	4" Style SR Roof Edge w/ Hems – 10'	25/ctn.	2.20 lbs.	N/A
32484-	4" Style SR Roof Edge w/ Hems – 10'	50/ctn.	N/A	.80 lbs.
32493-	4-1/2" Style SR Roof Edge w/ Hems – 10'	25/ctn.	2.50 lbs.	N/A
32494-	4-1/2" Style SR Roof Edge w/ Hems – 10'	50/ctn.	N/A	.90 lbs.
32508-	5" Style SR Roof Edge w/ Hems – 10'	25/ctn.	2.70 lbs.	N/A
32511-	5" Style SR Roof Edge w/ Hems – 10'	50/ctn.	N/A	1.00 lbs.
32516-	4-1/2" Style D Roof Edge w/ Hems – 10'	25/ctn.	2.50 lbs.	N/A
32542-	4-1/2" Style D Roof Edge w/ Hems – 10'	50/ctn.	N/A	.90 lbs.
32415-	5" Style D Roof Edge w/ Hems – 10'	25/ctn.	2.70 lbs.	N/A
32417-	5" Style D Roof Edge w/ Hems – 10'	50/ctn.	N/A	1.00 lbs.
32455-	6" Style D Roof Edge – 10'	25/ctn.	3.30 lbs.	1.20 lbs.
32470-	8" Style D Roof Edge w/ Hems – 10'	20/ctn.	4.40 lbs.	N/A
32472-	8" Style D Roof Edge w/ Hems – 10'	50/ctn.	N/A	1.60 lbs.
32560-	5-1/2" Style D Roof Edge w/ Hems – 10'	50/ctn.	N/A	1.10 lbs.
32550-	5-1/2" Style D Roof Edge w/ Hems – 10'	25/ctn.	3.00 lbs.	N/A

DIMENSIONS

	A	B	C
32455	2-3/8"	2-5/8"	7/8"
32483	1-1/2"	1-3/4"	1/2"
32484	1-1/2"	1-3/4"	1/2"
32493	1-1/2"	2-1/4"	1/2"
32494	1-1/2"	2-1/4"	1/2"
32508	1-1/2"	2-3/4"	1/2"
32511	1-1/2"	2-3/4"	1/2"
32516	1-1/4"	2-3/8"	7/8"
32542	1-1/4"	2-3/8"	7/8"
32415	1-1/4"	2-7/8"	7/8"
32417	1-1/4"	2-7/8"	7/8"
32470	1-1/4"	5-7/8"	7/8"
32472	1-1/4"	5-7/8"	7/8"
32560	1-1/4"	3-1/8"	7/8"
32550	1-1/4"	3-1/8"	7/8"

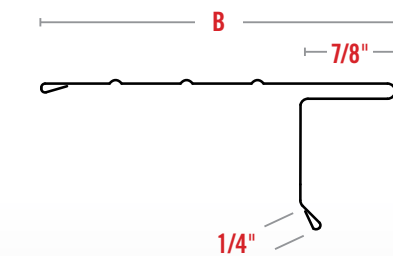
► STYLE “G” AND “H” ROOF EDGE / T ROOF TRIM

ITEM NUMBER	PRODUCT DESCRIPTION	PACKAGING SPIRAL WRAPPED, PER BDL.	WEIGHT PER PIECE:	
			STEEL	ALUMINUM
33100-	5" Style G Roof Edge – 10'	50/bdl. Aluminum 25/bdl. Steel	2.70 lbs.	1.01 lbs.
32810-	3" Style H Roof Edge – 10'	50/bdl.	1.80 lbs.	.70 lbs.
32530-	T Roof Trim – 12'	25/ctn.	N/A	.93 lbs.



► STYLE “L” AND “LL” ROOF EDGE

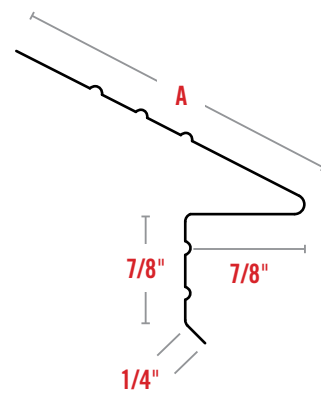
ITEM NUMBER	PRODUCT DESCRIPTION	PACKAGING PER CTN.	WEIGHT PER PIECE:	
			STEEL	ALUMINUM
32674-	5-1/2" Style L Roof Edge w/ Hems – 10'	25/ctn.	3.00 lbs.	N/A
32679-	5-1/2" Style L Roof Edge w/ Hems – 10'	50/ctn.	N/A	1.10 lbs.
32668-	5-1/2" Style L Roof Edge w/ Hems – 26 Ga. – 10'	25/ctn.	3.70 lbs.	N/A
32687-	5-1/2" Style LL Roof Edge w/ Hems – 10'	25/ctn.	3.00 lbs.	N/A
32688-	5-1/2" Style LL Roof Edge w/ Hems – 26 Ga. – 10'	25/ctn.	3.70 lbs.	N/A
32683-	6" Style L Roof Edge w/ Hems – 10'	25/ctn.	3.31 lbs.	N/A
32685-	6" Style L Roof Edge w/ Hems – 10'	50/ctn.	N/A	1.21 lbs.
32690-	6" Style LL Roof Edge w/ Hems – 10'	25/ctn.	3.30 lbs.	N/A



DIMENSIONS

	A	B
32674	1-3/4"	2-1/2"
32679	1-3/4"	2-1/2"
32668	1-3/4"	2-1/2"
32687	2"	2-1/4"
32688	2"	2-1/4"
32683	1-3/4"	3"
32690	2"	2-3/4"

► EAVES DRIP

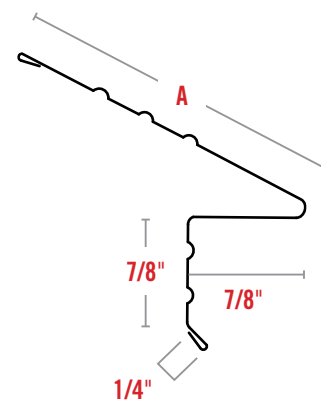


ITEM NUMBER	PRODUCT DESCRIPTION	PACKAGING PER CTN.	WEIGHT PER PIECE: STEEL	WEIGHT PER PIECE: ALUMINUM
32570-	4-1/2" Eaves Drip – 10'	25/ctn.	2.50 lbs.	N/A
32571-	4-1/2" Eaves Drip – 10'	50/ctn.	N/A	.90 lbs.
32580-	5" Eaves Drip – 10'	25/ctn.	2.70 lbs.	N/A
32581-	5" Eaves Drip – 10'	50/ctn.	N/A	1.00 lbs.
32590-	5-1/2" Eaves Drip – 10'	25/ctn.	3.00 lbs.	N/A
32591-	5-1/2" Eaves Drip – 10'	50/ctn.	N/A	1.10 lbs.
32601-	8" Eaves Drip – 10'	20/ctn.	4.40 lbs.	N/A
32603-	8" Eaves Drip – 10'	50/ctn.	N/A	1.60 lbs.

DIMENSIONS

A	A
32570 2-1/2"	32590 3-1/2"
32571 2-1/2"	32591 3-1/2"
32580 3"	32601 6"
32581 3"	32603 6"

► EAVES DRIP WITH HEMMED EDGES



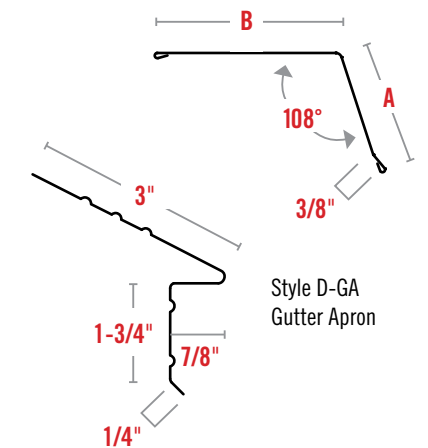
ITEM NUMBER	PRODUCT DESCRIPTION	PACKAGING PER CTN.	WEIGHT PER PIECE: STEEL	WEIGHT PER PIECE: ALUMINUM
32562-	4-1/2" Eaves Drip – 10'	25/ctn.	2.50 lbs.	N/A
32564-	4-1/2" Eaves Drip – 10'	50/ctn.	N/A	.90 lbs.
32587-	5" Eaves Drip – 10'	25/ctn.	2.70 lbs.	N/A
32585-	5" Eaves Drip – 10'	50/ctn.	N/A	1.00 lbs.
32588-	5-1/2" Eaves Drip – 10'	25/ctn.	3.00 lbs.	N/A
32593-	5-1/2" Eaves Drip – 10'	50/ctn.	N/A	1.10 lbs.
32606-	8" Eaves Drip – 10'	20/ctn.	4.40 lbs.	N/A
32604-	8" Eaves Drip – 10'	50/ctn.	N/A	1.60 lbs.

DIMENSIONS

A	A
32562 2-5/16"	32588 3-5/16"
32564 2-5/16"	32593 3-5/16"
32587 2-13/16"	32606 5-13/16"
32585 2-13/16"	32604 5-13/16"

► GUTTER APRON WITH HEMMED EDGES

ITEM NUMBER	PRODUCT DESCRIPTION	PACKAGING PER CTN./BDL.	WEIGHT PER PIECE: STEEL	WEIGHT PER PIECE: ALUMINUM
33007	2" x 3" Gutter Apron – 10'	25/bdl.	2.70 lbs.	N/A
33008-	2" x 3" Gutter Apron – 10'	25/ctn.	2.70 lbs.	6.00 lbs.
33020-	2-1/2" x 2-1/2" Gutter Apron – 10'	25/bdl.	2.70 lbs.	N/A
33050-	2-1/2" x 2-1/2" Gutter Apron – 10'	25/ctn.	2.70 lbs.	1.00 lbs.
33035-	2-1/2" x 2-1/2" Gutter Apron – 6:12 Pitch – 10'	25/bdl.	2.70 lbs.	N/A
33037-	2-1/2" x 2-1/2" Gutter Apron – 8:12 Pitch – 10'	25/bdl.	2.70 lbs.	N/A
33040-	2-1/2" x 2-1/2" Gutter Apron – 12:12 Pitch – 10'	25/bdl.	2.70 lbs.	N/A
33050-	3" x 3" Gutter Apron – 10'	25/bdl.	3.30 lbs.	N/A
33060-	2" x 5" Gutter Apron – 10'	25/bdl.	3.79 lbs.	N/A
33070-	3" x 5" Gutter Apron – 10'	25/bdl.	4.38 lbs.	N/A
32600-	6" Style "D-GA" Gutter Apron – No Hems – 10'	25/bdl.	3.30 lbs.	1.20 lbs.

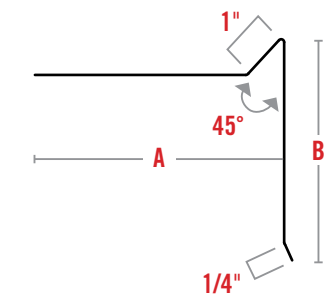


DIMENSIONS

	A	B
33007	1-7/8"	2-3/4"
33008	1-7/8"	2-3/4"
33020	2-5/16"	2-5/16"
33050	2-5/16"	2-5/16"
33035	2-5/16"	2-5/16"
33037	2-5/16"	2-5/16"
33040	2-5/16"	2-5/16"
33050	2-13/16"	3"
33060	1-13/16"	4-13/16"
33070	2-13/16"	4-13/16"

► GRAVEL STOP

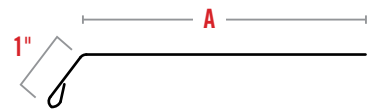
ITEM NUMBER	PRODUCT DESCRIPTION	PACKAGING PER BDL.	WEIGHT PER PIECE: STEEL	WEIGHT PER PIECE: ALUMINUM
32700-	5" Girth Gravel Stop – 10'	25/bdl.	2.70 lbs.	N/A
32710-	6" Girth Gravel Stop – 10'	25/bdl.	3.30 lbs.	N/A
32720-	7" Girth Gravel Stop – 10'	25/bdl.	3.79 lbs.	N/A
32725-	8" Girth Gravel Stop – 10'	25/bdl.	4.38 lbs.	1.50 lbs.
32732-	10" Girth Gravel Stop – 10'	25/bdl.	5.47 lbs.	2.02 lbs.



DIMENSIONS

	A	B
32700	2"	2-1/4"
32710	3"	2-1/4"
32720	3"	3-1/4"
32725	3-1/4"	3-3/4"
32732	4-3/4"	4-1/4"

▶ ROOF STARTERS

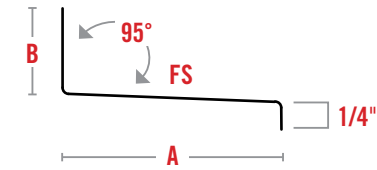


DIMENSIONS

	A
32900	2-3/4"
32910	4-3/4"
32920	5-3/4"

ITEM NUMBER	PRODUCT DESCRIPTION	PACKAGING	WEIGHT PER PIECE
32900-	4" Roof Starter – 10'	20/bdl.	2.20 lbs.
32910-	6" Roof Starter – 10'	10/bdl.	3.30 lbs.
32920-	7" Roof Starter – 10'	10/bdl.	3.80 lbs.

▶ WINDOW CAPPING



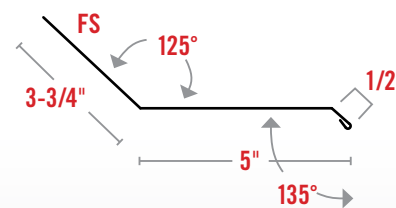
DIMENSIONS

	A	B
33190	1-1/16"	1-3/4"
33210	1-1/4"	1-1/2"
33200	1-3/8"	1-3/8"
33220	1-1/2"	1-1/2"
33250	1-5/8"	1-1/2"
33230	1-3/4"	1-1/2"
33235	1-7/8"	1-1/2"
33240	2"	1-1/2"

ITEM NUMBER	PRODUCT DESCRIPTION	PACKAGING SPIRAL WRAPPED	WEIGHT PER PIECE: STEEL	WEIGHT PER PIECE: ALUMINUM
33190-	3" Window Capping – 1-1/16" Header – 10'	50/bdl.	1.60 lbs.	.60 lbs.
33210-	3" Window Capping – 1-1/4" Header – 10'	50/bdl.	1.60 lbs.	.60 lbs.
33200-	3" Window Capping – 1-3/8" Header – 10'	50/bdl.	1.60 lbs.	.60 lbs.
33220-	3-1/4" Window Capping – 1-1/2" Header – 10'	50/bdl.	1.80 lbs.	.70 lbs.
33250-	3-3/8" Window Capping – 1-5/8" Header – 10'	50/bdl.	1.80 lbs.	.60 lbs.
33230-	3-1/2" Window Capping – 1-3/4" Header – 10'	50/bdl.	2.20 lbs.	.80 lbs.
33235-	3-5/8" Window Capping – 1-7/8" Header – 10'	50/bdl.	2.20 lbs.	.80 lbs.
33240-	3-3/4" Window Capping – 2" Header – 10'	50/bdl.	2.20 lbs.	.80 lbs.

▶ DORMER FLASHING

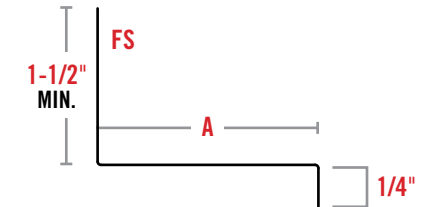
Available in Galvanized (GV10) or Painted. See color series number listing.



ITEM NUMBER	PRODUCT DESCRIPTION	PACKAGING	WEIGHT PER PIECE
84210-	#2220 Dormer Flashing – 10'	10 pcs.	5.50 lbs.

▶ BASE FLASHING ("Z" FLASHING)

ITEM NUMBER	PRODUCT DESCRIPTION	PACKAGING SPIRAL WRAPPED, PER BDL		WEIGHT PER PIECE	
		STEEL	ALUMINUM	STEEL	ALUMINUM
33730-	3/8" Base Flashing – 10'	25 per	50 per	1.40 lbs.	.50 lbs.
33700-	7/16" Base Flashing – 10'	25 per	50 per	1.40 lbs.	.50 lbs.
33740-	1/2" Base Flashing – 10'	25 per	50 per	1.40 lbs.	.50 lbs.
33710-	5/8" Base Flashing – 10'	25 per	50 per	1.40 lbs.	.50 lbs.
33720-	3/4" Base Flashing – 10'	25 per	50 per	1.40 lbs.	.50 lbs.
33750-	7/8" Base Flashing – 10'	25 per	50 per	1.40 lbs.	.50 lbs.
33760-	1" Base Flashing – 10'	25 per	50 per	1.40 lbs.	.50 lbs.
33765-	1-1/8" Base Flashing – 10'	25 per	50 per	1.40 lbs.	.50 lbs.
33770-	1-1/4" Base Flashing – 10'	25 per	50 per	1.40 lbs.	.50 lbs.
33775-	1-3/8" Base Flashing – 10'	25 per	50 per	1.80 lbs.	.70 lbs.
33780-	1-1/2" Base Flashing – 10'	25 per	50 per	1.80 lbs.	.70 lbs.
33785-	1-5/8" Base Flashing – 10'	25 per	50 per	1.80 lbs.	.70 lbs.
33790-	1-3/4" Base Flashing – 10'	25 per	50 per	1.80 lbs.	.70 lbs.
33795-	1-7/8" Base Flashing – 10'	25 per	50 per	1.80 lbs.	.70 lbs.
33796-	2" Base Flashing – 10'	25 per	50 per	1.80 lbs.	.70 lbs.



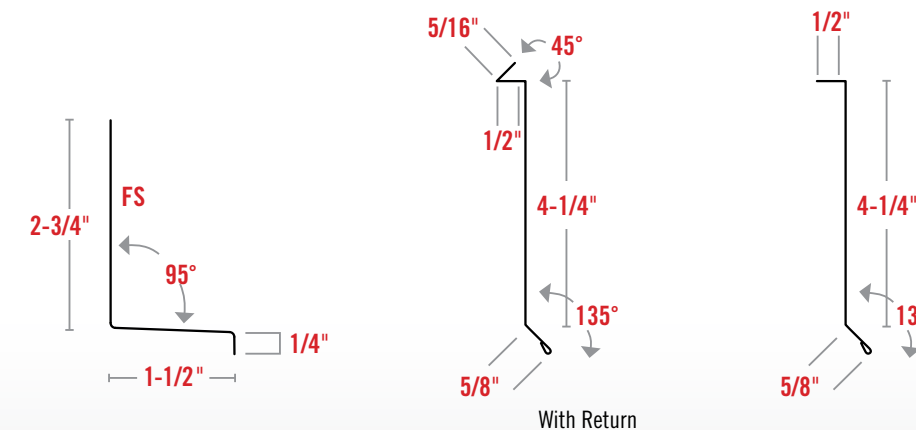
DIMENSIONS

	A
33730	3/8"
33700	7/16"
33740	1/2"
33710	5/8"
33720	3/4"
33750	7/8"
33760	1"
33765	1-1/8"
33770	1-1/4"
33775	1-3/8"
33780	1-1/2"
33785	1-5/8"
33790	1-3/4"
33795	1-7/8"
33796	2"

▶ DECK AND CHIMNEY (RIGLET) FLASHING

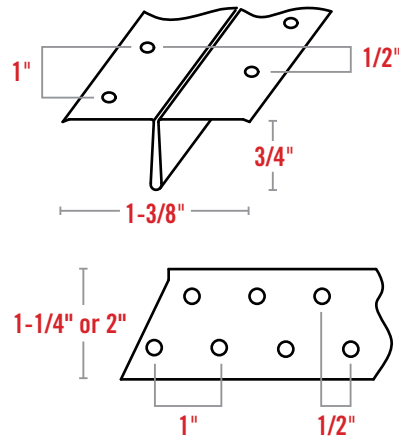
Available in Galvanized (GV10) or Painted. See color series number listing.

ITEM NUMBER	PRODUCT DESCRIPTION	PACKAGING	WEIGHT PER PIECE
86450-	#2401 Deck Flashing – 10'	25 pcs.	2.02 lbs.
88820-	4-1/4" Riglet – w/ Return	10 pcs./ctn.	3.31 lbs.
88830-	4-1/4" Riglet – No Return	10 pcs./ctn.	3.08 lbs.



▶ SAW-KERF "T" WALL BRACING AND FLAT-STRAP WALL BRACING

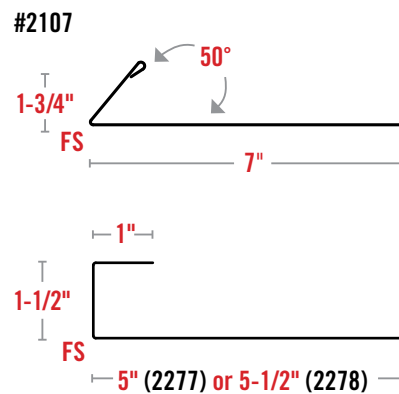
Available in Galvanized (GV10) Steel only. Packaged 20 bundles per pallet.



ITEM NUMBER	PRODUCT DESCRIPTION	PACKAGING	WEIGHT PER PIECE
55500-GV10	Saw-Kerf T Wall Bracing – 24 Ga. – 9' 3"	10 pcs.	2.68 lbs.
55510-GV10	Saw-Kerf T Wall Bracing – 24 Ga. – 11' 3-3/4"	10 pcs.	3.29 lbs.
55520-GV10	Saw-Kerf T Wall Bracing – 24 Ga. – 14'	10 pcs.	4.06 lbs.
55600-GV10	1-1/4" Flat-Strap Wall Bracing – 16 and 22 Ga. – 10'	10 pcs.	2.50 lbs.
55610-GV10	1-1/4" Flat-Strap Wall Bracing – 16 and 22 Ga. – 12'	10 pcs.	3.00 lbs.
55650-GV10	2" Flat-Strap Wall Bracing – 16 and 22 Ga. – 10'	10 pcs.	4.00 lbs.
55660-GV10	2" Flat-Strap Wall Bracing – 16 and 22 Ga. – 12'	10 pcs.	4.80 lbs.

▶ RAIN DIVERTER WITH RETURN

Available in Galvanized (GV10), Painted – White (WH20), Brown (any shade, BN53) or Black (BK71).



ITEM NUMBER	PRODUCT DESCRIPTION	PACKAGING PER CTN.	WEIGHT PER PIECE
82600-	#2107 Rain Diverter – 5'	20 pcs.	2.69 lbs.
85440-	#2277 7-1/2" Rain Diverter – 10'	10 pcs.	3.75 lbs.
85445-	#2278 8" Rain Diverter – 10'	10 pcs.	4.37 lbs.

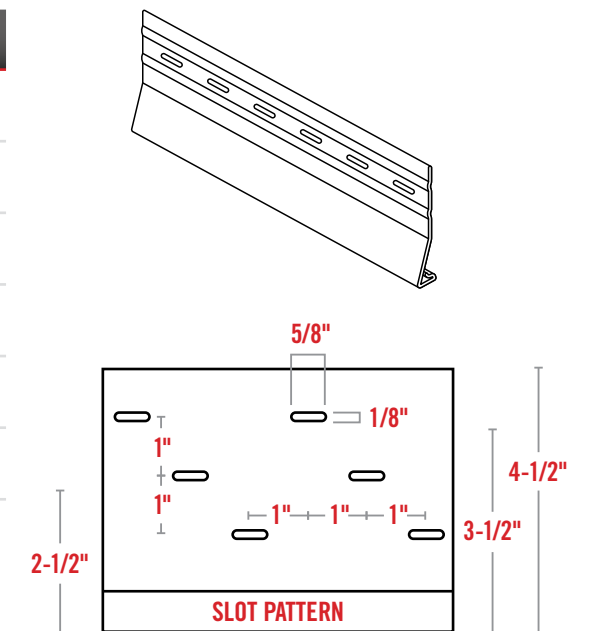
NEW AND IMPROVED STARTER STRIP PRODUCTS:



▶ SIDING STARTER STRIP

Available in Steel or Aluminum.

ITEM NUMBER	PRODUCT DESCRIPTION	SPIRAL WRAPPED PER BDL.	WEIGHT PER PIECE:	
			STEEL	ALUMINUM
84110-	#2191 2-1/2" Starter Strip – 10'	50 pcs.	1.60 lbs.	.60 lbs.
84111-	#2192 3-1/2" Starter Strip – 10'	30 pcs.	2.20 lbs.	.80 lbs.
84112-	#2193 4-1/2" Starter Strip – 10'	25 pcs.	2.70 lbs.	1.00 lbs.
84113-	#2194 3/4" Offset Starter – 10'	25 pcs.	2.20 lbs.	.80 lbs.
84114-	#2195 1-1/4" Offset Starter – 10'	25 pcs.	2.70 lbs.	1.00 lbs.
84115-	#2190 Fastening Spline Starter – 10'	30 pcs.	1.60 lbs.	.60 lbs.

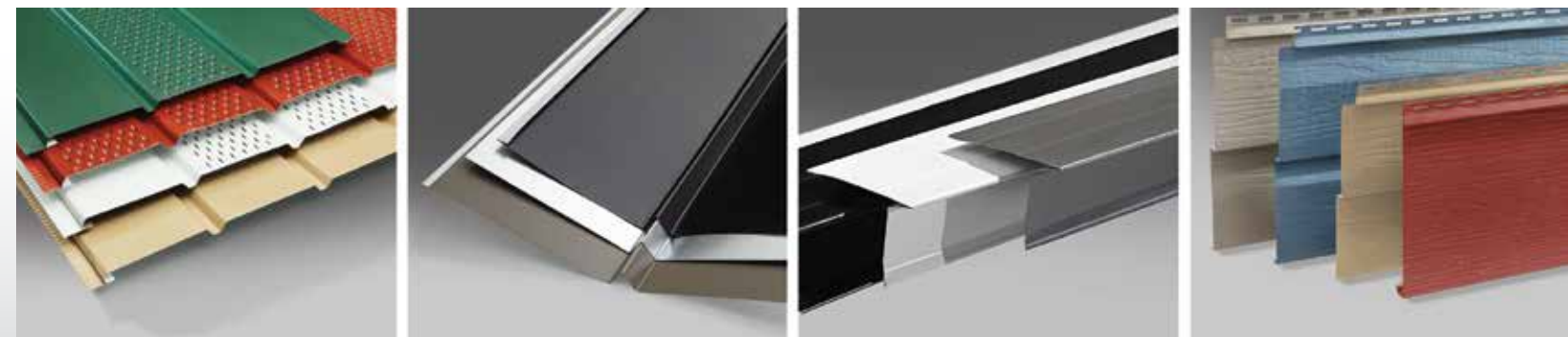




WHEN YOU CHOOSE KLAUER, YOU CHOOSE QUALITY

Klauer Manufacturing Company has a proud history of producing the industry's highest-quality products with an extensive line of options. Evolving over the years, we are pleased to serve the residential, agricultural and light commercial markets. We provide durable, energy-efficient products with easy installation and minimal maintenance to securely protect your assets, and we're confident you'll find we're easy to do business with. On top of that, we have the styles and color options you need for any project design.

Give us a call today at **563.582.7201** to learn more about our superior residential roof flashing and rain-carry equipment, soffit, siding, and metal building panel and trim.





1185 Roosevelt Ext.
PO Box 59
Dubuque, IA 52004-0059
(563) 582.7201
sales@klauer.com

WWW.KLAUER.COM