



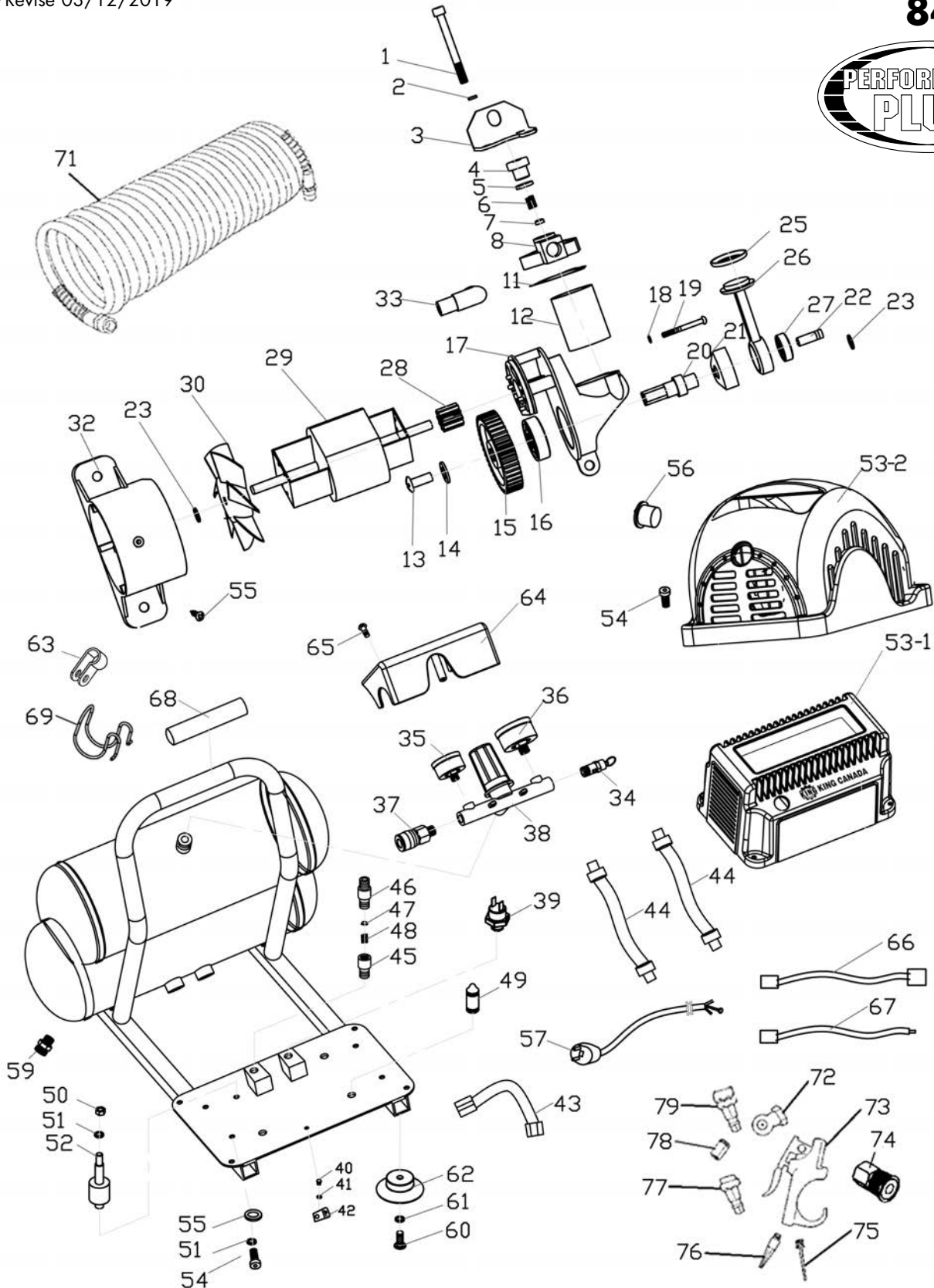
Service Manual / Manuel de Service

100 PSI Oil-Free Air Compressor Compresseur à Air Sans Huile 100 LB/PO²



Revised/Revisé 03/12/2019

8440N





Parts Pricing List / Liste de Prix des Pièces

8440N

Diag.	Order # Com.	English Description	Description Française	Qty./Qté.	Price/Prix
1	72-84400010	CAP SCREW	BOULON A TETE CYLINDRIQUE	3	\$4.28
2	72-84400020	SPRING WASHER	RONDELLE A RESSORT	3	\$2.50
3	72-84400030	CYLINDER HEAD SUPPORT	SUPPORT DE LA TETE DU CYLINDRE	1	\$9.78
4	72-84400040	EXHAUST PLUG	BOUCHON D'ECHAPPEMENT	1	\$7.29
5	72-84400050	EXHAUST PLUG SEAL	JOINT D'ETANCHEITE DU BOUCHON	2	\$7.17
6	72-84400060	SPRING	RESSORT	1	\$5.78
7	72-84400070	EXHAUST SEAL GASKET	JOINT D'ETANCHEITE	1	\$7.17
8	72-84400080	CYLINDER HEAD	TETE DE CYLINDRE	1	\$8.71
11	72-84400110	CYLINDER HEAD GASKET	JOINT D'ETANCHEITE DE LA TETE	1	\$8.71
12	72-84400120	CYLINDER	CYLINDRE	1	\$14.57
13	72-84400130	PAN HD SCREW	VIS A TETE BOMBEE	1	\$2.50
14	72-84400140	WASHER	RONDELLE	1	\$2.42
15	72-84400150	GEAR	ENGRENAGE	1	\$6.59
16	72-84400160	CRANKCASE BEARING	ROULEMENT DU CARTER	1	\$6.52
17	72-84400170	CRANKCASE	CARTER	1	\$18.96
18	72-84400180	SPRING WASHER	RONDELLE A RESSORT	2	\$2.50
19	72-84400190	PAN HD SCREW	VIS A TETE BOMBEE	2	\$3.06
20	72-84400200	AXLE	AXE	1	\$7.25
21	72-84400210	ECCENTRIC	EXCENTRIQUE	1	\$7.25
22	72-84400220	CONNECTING ROD PIN	GOUPILLE DE LA TIGE	1	\$5.78
23	72-84400230	RETAINING RING/SHAFT	ANNEAU DE RETENU/TIGE	2	\$2.42
25	72-84400250	COMPRESSION RING	ANNEAU DE COMPRESSION	1	\$6.52
26	72-84400260	CONNECTING ROD	TIGE DE CONNEXION	1	\$13.10
27	72-84400270	CONNECTING ROD BEARING	ROULEMENT DE LA TIGE	1	\$23.24
28	72-84400280	GEAR	ENGRENAGE	1	\$11.64
29	72-84400290	MOTOR	MOTEUR	1	\$94.36
30	72-84400300	FAN	VENTILATEUR	1	\$14.57
32	72-84400320	MOTOR BRACKET	SUPPORT DU MOTEUR	1	\$13.10
33	72-84400330	EXHAUST ELBOW	COUDE D'ECHAPPEMENT	1	\$6.52
34	72-84400340	SAFETY VALVE	SOUPAPE DE SURETE	1	\$20.28
35	72-84400350	PRESSURE GAUGE (SMALL)	MANOMETRE (PETIT)	1	\$25.83
36	72-84400360	PRESSURE GAUGE (LARGE)	MANOMETRE (GRAND)	1	\$25.83
37	72-84400370	FEMALE QUICK COUPLER	RACCORD RAPIDE FEMELLE	1	\$20.10
38	72-84400380	REGULATOR MANIFOLD	TUBULAIRE DU REGULATEUR	1	\$56.29
39	72-84400390	PRESSURE SWITCH	MANOSTAT	1	\$18.67
40	72-84400400	PAN HD SCREW	VIS A TETE BOMBEE	1	\$2.50
41	72-84400410	TOOTH WASHER	RONDELLE DENTELEE	1	\$2.69
42	72-84400420	GROUNDING MARK	PLAQUE MISE A TERRE	1	\$2.85
43	72-84400430	EXHAUST PIPE ASSEMBLY	TUYAU D'ECHAPPEMENT ASS.	1	\$35.36
44	72-84400440	RUBBER PIPE	TUYAU EN CAOUTCHOUC	2	\$14.57
45	72-84400450	CONNECT	RACCORD	1	\$13.10
46	72-84400460	CHECK VALVE CONNECT	SOUPAPE ANTI-RETOUR	1	\$13.32
47	72-84400470	CHECK VALVE SEAL GASKET	JOINT D'ETANCHEITE DE LA SOUPAPE	1	\$7.25
48	72-84400480	SPRING	RESSORT	1	\$7.25
49	72-84400490	CUSHION	COUSSIN	3	\$7.25
50	72-84400500	FLANGE HEX HD NUT	ECROU HEXAGONAL A TETE BRIDEE	1	\$2.50
51	72-84400510	SPRING WASHER	RONDELLE A RESSORT	5	\$2.50

Pricing subject to change without prior notice. / Prix sujet à changement sans préavis.



Parts Pricing List / Liste de Prix des Pièces

8440N

Diag.	Order # Com.	English Description	Description Française	Qty./Qté.	Price/Prix
52	72-84400520	RUBBER BOLT	BOULON EN CAOUTCHOUC	1	\$8.71
53-1	72-84400531	SQUARE MOTOR COVER	COUVERCLE DE MOTEUR (CARRE)	1	\$16.03
53-2	72-84400532	ROUND MOTOR COVER	COUVERCLE DE MOTEUR (ROND)	1	\$16.03
54	72-84400540	CAP SCREW	BOULON A TETE CYLINDRIQUE	8	\$4.54
55	72-84400550	WASHER	RONDELLE	4	\$2.50
56	72-84400560	SWITCH	INTERRUPTEUR	1	\$16.03
57	72-84400570	POWER CORD	CORDON D'ALIMENTATION	1	\$27.69
59	72-84400590	DRAIN VALVE	SOUPAPE DE VIDANGE	1	\$8.99
60	72-84400600	TAPPING SCREW	VIS AUTOTARAUDEUSE	4	\$2.50
61	72-84400610	WASHER	RONDELLE	4	\$2.42
62	72-84400620	RUBBER FOOT	PIED EN CAOUTCHOUC	4	\$5.78
63	72-84400630	CORD CLIP	ATTACHE CORDON	1	\$6.52
64	72-84400640	GAUGE HOUSING	BOITIER DES MANOMETRES	1	\$18.96
65	72-84400650	SCREW	VIS	4	\$2.50
66	72-84400660	INDUCTION CORD (250MM)	BOYAU INDUCTION (250MM)	1	\$14.57
67	72-84400670	INDUCTION CORD (200MM)	BOYAU INDUCTION (200MM)	1	\$14.57
68	72-84400680	HANDLE GRIP	POIGNE DE LA POIGNEE	1	\$16.47
69	72-84400690	HOOK	CROCHET	1	\$6.37
71	72-84400710	COIL HOSE	BOYAU ENROULE	1	\$55.28
72	72-84400720	TIRE INFLATOR	GONFLEUR DE PNEU	1	\$8.05
73	72-84400730	AIR BLOWER	SOUFFLEUR	1	\$16.21
74	72-84400740	FEMALE QUICK CONNECT	RACCORD RAPIDE FEMELLE	1	\$18.25
75	72-84400750	INFLATING NEEDLE	GONFLEUR A BALLON	1	\$5.46
76	72-84400760	INFLATING NOZZLE	GONFLEUR EN BUSE	1	\$4.92
77	72-84400770	MALE FITTING	RACCORD MALE	1	\$7.13
78	72-84400780	AIR BLOWER TIP ADAPTOR	ADAPTATEUR DU SOUFFLEUR	1	\$4.35
79	72-84400790	MALE FITTING	RACCORD MALE	1	\$7.13
	72-8440MBIL	8440N/8200B BILINGUAL MANUAL	8440N/8200B MANUEL BILINGUE	1	\$24.17



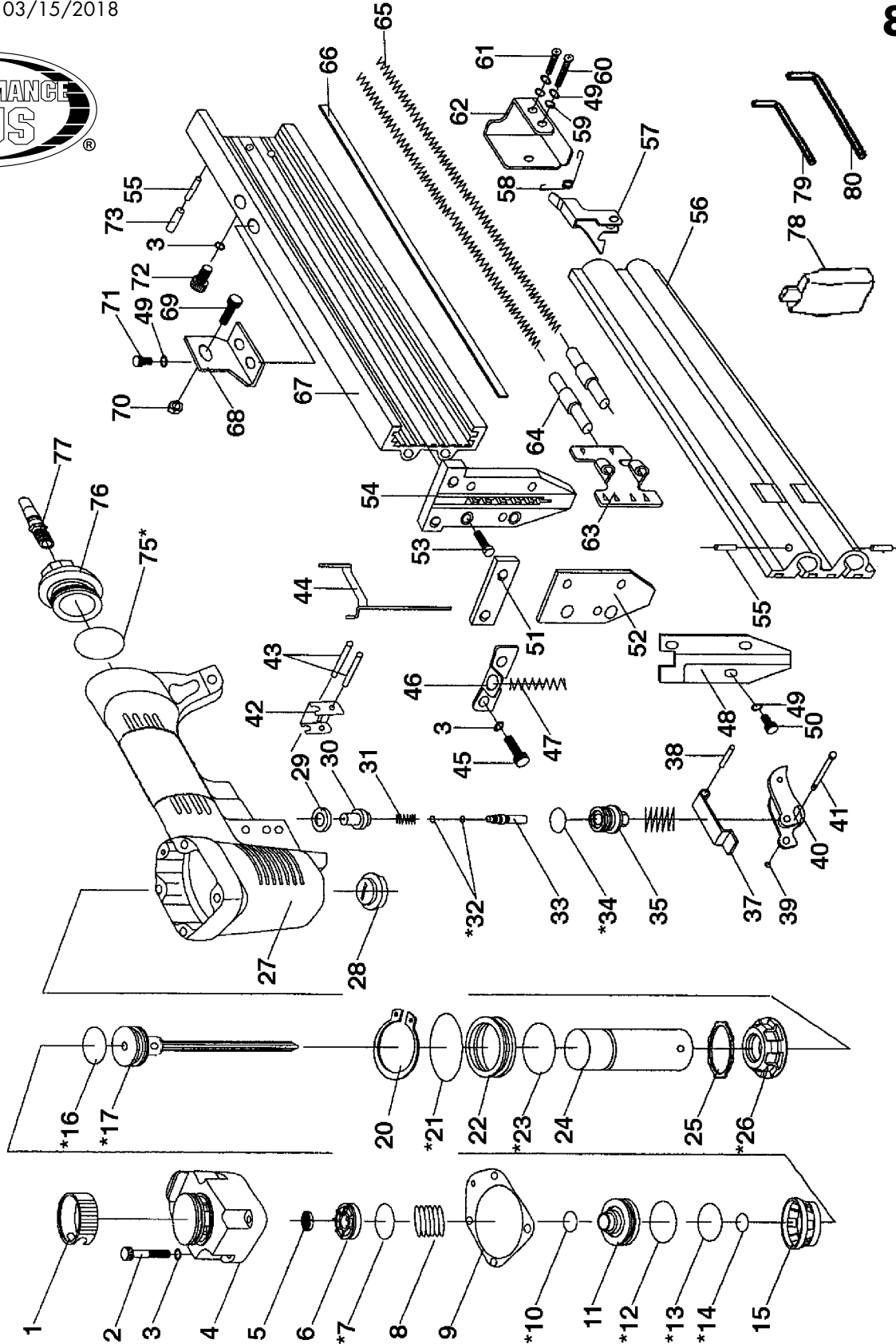
Service Manual / Manuel de Service

2" Brad Nailer Kit Ensemble Cloueuse 2"



Revised/Revisé 03/15/2018

8200B





Parts Pricing List / Liste de Prix des Pièces

8200B

Diag.	Order # Com.	English Description	Description Française	Qty./Qté.	Price/Prix
1	51-82000010	AIR EXHAUST COVER	COUVERCLE D'ECHAPPEMENT	1	\$7.97
2	51-82000020	CAP SCREW	BOULON A TETE CYLINDRIQUE	4	\$3.61
3	51-82000030	SPRING WASHER	RONDELLE A RESSORT	7	\$2.50
4	51-82000040	CYLINDER CAP	COUVERCLE DU CYLINDRE	1	\$24.08
5	51-82000050	SEAL	JOINT D'ETANCHEITE	1	\$6.04
6	51-82000060	INTERNAL LINING	BAGUE INTERNE	1	\$11.19
7	KW-117	BUMPER/DRIVER/O-RING REPL. KIT	TROUSSE DE REMP. TIGE/AMOR./JOINTS	1	-
8	51-82000080	SPRING	RESSORT	1	\$6.36
9	51-82000090	GASKET	JOINT D'ETANCHEITE	1	\$6.84
10	KW-117	BUMPER/DRIVER/O-RING REPL. KIT	TROUSSE DE REMP. TIGE/AMOR./JOINTS	1	-
11	51-82000110	HEAD VALVE PISTON	PISTON DE LA SOUPAPE	1	\$7.97
12	KW-117	BUMPER/DRIVER/O-RING REPL. KIT	TROUSSE DE REMP. TIGE/AMOR./JOINTS	1	\$0.00
13	KW-117	BUMPER/DRIVER/O-RING REPL. KIT	TROUSSE DE REMP. TIGE/AMOR./JOINTS	1	-
14	KW-117	BUMPER/DRIVER/O-RING REPL. KIT	TROUSSE DE REMP. TIGE/AMOR./JOINTS	1	-
15	51-82000150	COLLAR	COLLIER	1	\$7.65
16	KW-117	BUMPER/DRIVER/O-RING REPL. KIT	TROUSSE DE REMP. TIGE/AMOR./JOINTS	1	-
17	KW-117	BUMPER/DRIVER/O-RING REPL. KIT	TROUSSE DE REMP. TIGE/AMOR./JOINTS	1	-
20	51-82000200	RETAINING RING/SHAFT	ANNEAU DE RETENU/TIGE	1	\$2.96
21	KW-117	BUMPER/DRIVER/O-RING REPL. KIT	TROUSSE DE REMP. TIGE/AMOR./JOINTS	1	-
22	51-82000220	RING LINING	REVETEMENT EN BAGUE	1	\$9.58
23	KW-117	BUMPER/DRIVER/O-RING REPL. KIT	TROUSSE DE REMP. TIGE/AMOR./JOINTS	1	-
24	51-82000240	CYLINDER	CYLINDRE	1	\$32.13
25	51-82000250	SPECIAL WASHER	RONDELLE SPECIALE	1	\$7.81
26	KW-117	BUMPER/DRIVER/O-RING REPL. KIT	TROUSSE DE REMP. TIGE/AMOR./JOINTS	1	-
27	51-82000270	BODY W/RUBBER GRIP	BOITIER AVEC POIGNEE	1	\$48.23
28	51-82000280	NOZZLE	BUSE	1	\$7.65
29	51-82000290	SWITCH INTERNAL LINING	REVETEMENT INTERNE/INTERR.	1	\$3.95
30	51-82000300	SWITCH CAP	CAPUCHON DE L'INTERRUPTEUR	1	\$9.26
31	51-82000310	SPRING	RESSORT	1	\$4.59
32	KW-117	BUMPER/DRIVER/O-RING REPL. KIT	TROUSSE DE REMP. TIGE/AMOR./JOINTS	1	-
33	51-82000330	TRIGGER VALVE STEM	TIGE DE LA SOUPAPE/GACHETTE	1	\$5.23
34	KW-117	BUMPER/DRIVER/O-RING REPL. KIT	TROUSSE DE REMP. TIGE/AMOR./JOINTS	1	-
35	51-82000350	TRIGGER VALVE SEAT	SIEGE DE LA SOUPAPE/GACHETTE	1	\$7.97
37	51-82000370	TRIGGER PLATE	PLAQUE DE LA GACHETTE	1	\$5.23
38	51-82000380	SPRING PIN	GOUPILLE A RESSORT	1	\$3.24
39	51-82000390	O-RING	ANNEAU DE VERROUILLAGE	1	\$2.87
40	51-82000400	TRIGGER	GACHETTE	1	\$7.97
41	51-82000410	PIN	GOUPILLE	1	\$5.28
42	51-82000420	SAFETY GUIDE	GUIDE DE SECURITE	1	\$4.91
43	51-82000430	SPRING PIN	GOUPILLE A RESSORT	2	\$3.24
44	51-82000440	SAFETY	SURETE	1	\$12.80
45	51-82000450	CAP SCREW	BOULON A TETE CYLINDRIQUE	2	\$3.61
46	51-82000460	SPRING SEAT	SIEGE DU RESSORT	1	\$7.97
47	51-82000470	SPRING	RESSORT	1	\$4.75
48	51-82000480	SAFETY COVER	COUVERCLE DE SECURITE	1	\$24.08
49	51-82000490	SPRING WASHER	RONDELLE A RESSORT	7	\$2.50



Parts Pricing List / Liste de Prix des Pièces

8200B

Diag.	Order # Com.	English Description	Description Française	Qty./Qté.	Price/Prix
50	51-82000500	CAP SCREW	BOULON A TETE CYLINDRIQUE	3	\$3.24
51	51-82000510	SET PLATE	PLAQUE DE FIXATION	1	\$7.65
52	51-82000520	INNER PLATE	PLAQUE INTERNE	1	\$35.35
53	51-82000530	CAP SCREW	BOULON A TETE CYLINDRIQUE	2	\$3.24
54	51-82000540	DRIVER GUIDE	GUIDE DE LA TIGE DE POUSSEE	1	\$40.18
55	51-82000550	SPRING PIN	GOUPILLE A RESSORT	3	\$2.50
56	51-82000560	MAGAZINE SIDE COVER	COUV. DE COTE DU CHARGEUR	1	\$24.08
57	51-82000570	LATCH LEVER	LEVIER DU LOQUET	1	\$5.56
58	51-82000580	TORSION SPRING	RESSORT A TORSION	1	\$4.43
59	51-82000590	WASHER	RONDELLE	2	\$2.50
60	51-82000600	PAN HD SCREW	VIS A TETE BOMBEE	1	\$3.06
61	51-82000610	PAN HD SCREW	VIS A TETE BOMBEE	1	\$2.69
62	51-82000620	MAGAZINE END COVER	COUV. DU BOUT DU CHARGEUR	1	\$7.17
63	51-82000630	PUSHER	POUSSOIR	1	\$7.97
64	51-82000640	SPRING SEAT	SIEGE DU RESSORT	2	\$4.75
65	51-82000650	SPRING	RESSORT	2	\$7.17
66	51-82000660	NAIL GUIDE	GUIDE CLOU	1	\$6.36
67	51-82000670	MAGAZINE	CHARGEUR	1	\$48.23
68	51-82000680	BODY SUPPORT	SUPPORT DU BOITIER	1	\$7.97
69	51-82000690	CAP SCREW	BOULON A TETE CYLINDRIQUE	1	\$3.61
70	51-82000700	NYLON HEX. NUT	ECROU HEXAGONAL AVEC NYLON	1	\$3.24
71	51-82000710	CAP SCREW	BOULON A TETE CYLINDRIQUE	2	\$3.24
72	51-82000720	CAP SCREW	BOULON A TETE CYLINDRIQUE	1	\$3.24
73	51-82000730	SPRING PIN	GOUPILLE A RESSORT	1	\$3.62
75	KW-117	BUMPER/DRIVER/O-RING REPL. KIT	TROUSSE DE REMP. TIGE/AMOR./JOINTS	1	-
76	51-82000760	END CAP	COUVERCLE ARRIERE	1	\$10.47
77	51-82000770	QUICK CONNECT (MALE)	RACCORD CONNECTION RAP.(MALE)	1	\$7.13
78	51-82000780	OIL BOTTLE	BOUTEILLE D'HUILE	1	\$6.94
79	51-82000790	HEX. KEY (3MM)	CLE HEXAGONALE (3MM)	1	\$4.17
80	51-82000800	HEX. KEY (4MM)	CLE HEXAGONALE (4MM)	1	\$4.35
	51-8200MBIL	8200B BILINGUAL MANUAL	8200B MANUEL BILINGUE	1	\$24.17