



 **KINDRED**

PRODUCT CATALOG 2016

KITCHEN SINKS  
& ACCESSORIES



Durable by any standard.  
Quality you can trust.

## Table of Contents

Sink Basics | 4

Stainless Steel | 6

Top Mount Single Bowl | 7

Top Mount Double Bowl | 10

Undermount Single Bowl | 12

Undermount Double Bowl | 14

Kindred Collection | 16

Top Mount Sink Kits | 17

Tectonite | 19

Dual Mount Double Bowl | 20

Accessories | 21

Accessory List | 21

Kindred USA delivers tremendous value in kitchen sinks, in both stainless steel and our industry-exclusive material, Tectonite. Our combination of top quality materials and our limited Lifetime Warranty ensure that a Kindred sink will be a valued addition to your home for many years to come.

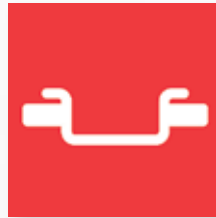
Our uncompromising craftsmanship and top-notch performance makes Kindred the name that is trusted by contractors and do-it-yourselfers. At Kindred USA we believe in strict standards of excellence, and it is our respect for these standards that underlies the quality product that has become synonymous with Kindred brands. Our stainless steel products are manufactured to meet the highest Industry quality specifications and are made from the finest 18, 20, 21 and 22 gauge available.

That's why Kindred has become the brand plumbers and consumers have come to trust - plain and simple.



# Sink Basics

## Types of Sink Installation



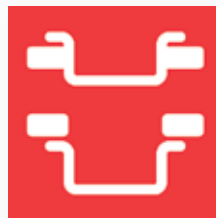
### TOPMOUNT

Often called a “drop in” sink, these are easiest to install and are often the way to go for the Do-It-Yourselfer.



### UNDERMOUNT

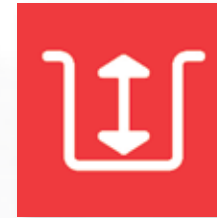
Installed to the underside of the countertop, undermount sinks provide a seamless look. Professional installation recommended.



### DUAL MOUNT

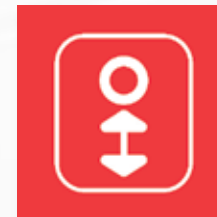
The sink can be installed either as a topmount or undermount.

## Important Sink Terms



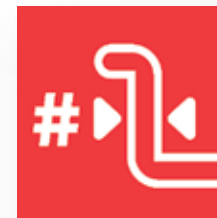
### DEPTH

Consider what tasks you will ask your sink to perform. Do you need a deeper sink for large pots or will a standard depth do the trick?



### DRAIN LOCATION

Traditionally, sinks come with center drains. Rear-positioned drains provide more usable space within the sink and beneath it.



### GAUGE

When it comes to sink gauge, less is more. Quality sinks start at 22 gauge and as the number gets lower, the steel gets increasingly thicker!

5 things to consider when deciding which sink is best for you:

1. Location & Purpose.
2. Countertop - New or Existing?
3. Cabinet Width.
4. Hole Count for Faucet and Accessories.
5. Sink Material.





# Stainless Steel

## Classic lines. Seamless fit.

For most homeowners, stainless steel is their first choice for kitchen sinks. This timeless material fits into any kitchen style, since it is available in a large variety of shapes and sizes. Stainless steel sinks provide a durable, hygienic work space that is essential for all of your kitchen tasks.

- Heat resistant up to 2,750°F
- Ultra-Quiet™ sound deadening
- Non-porous
- Limited lifetime warranty

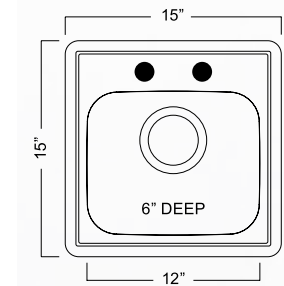
### To Clean:

For best results, opt for a mild liquid soap and a wet cloth to gently clean your sink. Avoid using harsh chemicals and rough brushes/sponges. After cleaning, rinse thoroughly and towel dry.

FBS602-35NB



MADE IN THE USA



Gauge: 22  
Finish: Silk Deck & Bowl  
Minimum Cabinet Width: 18"

Accessorize with:

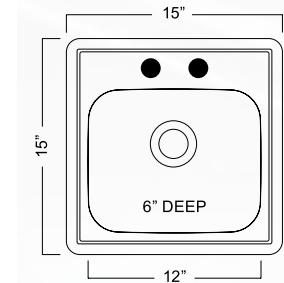


1135

FBS602NB



MADE IN THE USA ACCEPTS 2" DRAIN FITTING

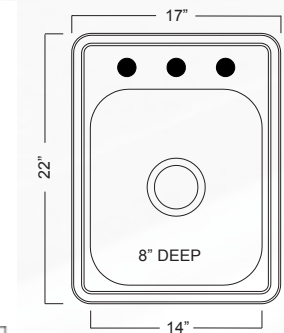


Gauge: 22  
Finish: Silk Deck & Bowl  
Minimum Cabinet Width: 18"

FSB1722BX



MADE IN VIETNAM



Gauge: 20  
Finish: Polished Satin Rim & Bowls  
Minimum Cabinet Width: 21"

Accessorize with:

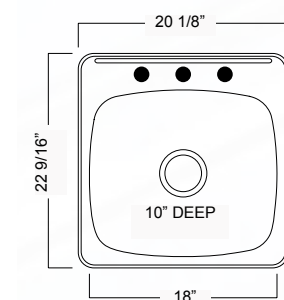


1135

RSLM2020/2010/3K



MADE IN THE USA DUAL MOUNT



Gauge: 20  
Finish: Silk Rim & Bowl  
Minimum Cabinet Width: 24"

Accessorize with:



BG110S

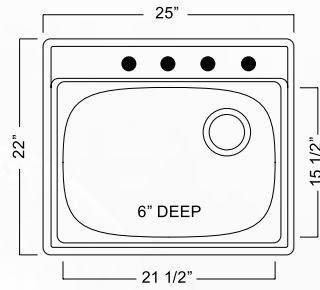


1135



FPSS603RB (3 Faucet Holes)

FPSS604RB (4 Faucet Holes)



MADE IN THE USA



Gauge: 21  
Finish: Satin Deck & Bowl  
Minimum Cabinet Width: 30"

Accessorize with:



1135

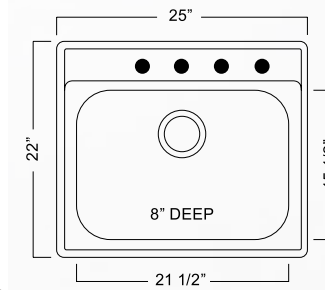
ADA COMPLIANT

FSS803N (3 faucet holes, sleeve packaging)

FSS803NB (3 faucet holes, box packaging)

FSS804N (4 faucet holes, sleeve packaging)

FSS804NB (4 faucet holes, box packaging)



MADE IN THE USA



Gauge: 20  
Finish: Satin Deck & Bowl  
Minimum Cabinet Width: 27"

Accessorize with:



KGS75



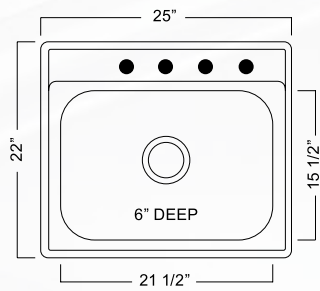
1135

FSS603N (3 faucet holes, sleeve packaging)

FSS603NB (3 faucet holes, box packaging)

FSS604N (4 faucet holes, sleeve packaging)

FSS604NB (4 faucet holes, box packaging)



MADE IN THE USA



Gauge: 22  
Finish: Satin Deck & Bowl  
Minimum Cabinet Width: 27"

Accessorize with:



KGS50



1135

SSK854NB



MADE IN THE USA



Gauge: 20  
Finish: Silk Deck & Bowl  
Minimum Cabinet Width: 27"

Accessorize with:



KGS75



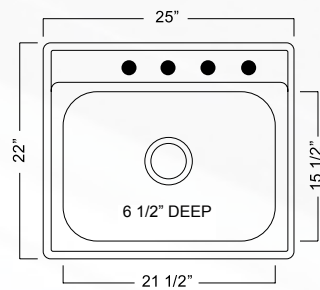
1135

FSS653N (3 faucet holes, sleeve packaging)

FSS653NB (3 faucet holes, box packaging)

FSS654N (4 faucet holes, sleeve packaging)

FSS654NB (4 faucet holes, box packaging)



MADE IN THE USA



Gauge: 22  
Finish: Satin Deck & Bowl  
Minimum Cabinet Width: 27"

Accessorize with:



KGS50



1135

SSK104NB



MADE IN THE USA



Gauge: 20  
Finish: Silk Deck & Bowl  
Minimum Cabinet Width: 27"

Accessorize with:



KGS75



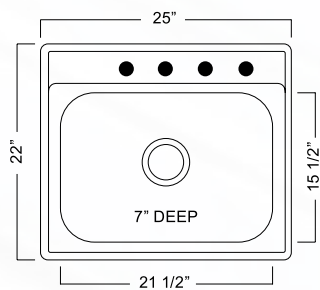
1135

FSS703N (3 faucet holes, sleeve packaging)

FSS703NB (3 faucet holes, box packaging)

FSS704N (4 faucet holes, sleeve packaging)

FSS704NB (4 faucet holes, box packaging)



MADE IN THE USA



Gauge: 21  
Finish: Satin Deck & Bowl  
Minimum Cabinet Width: 27"

Accessorize with:



KGS50



1135

FSLG804BX



MADE IN THAILAND



Gauge: 20  
Finish: Silk Deck & Bowl  
Minimum Cabinet Width: 36"

Accessorize with:

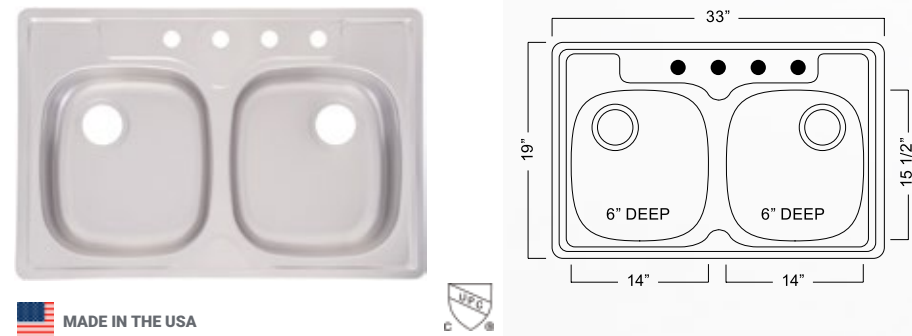


FBG2714



1135

FPDS603B (3 Faucet Holes) FPDS604B (4 Faucet Holes)



Gauge: 21  
Finish: Satin Deck & Bowl  
Minimum Cabinet Width: 36"

Accessorize with:



1135

ADA COMPLIANT

MADE IN THE USA



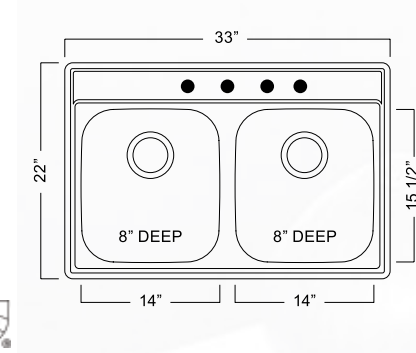
FDS803N (3 faucet holes, sleeve packaging)  
FDS804N (4 faucet holes, sleeve packaging)



MADE IN THE USA



FDS803NB (3 faucet holes, box packaging)  
FDS804NB (4 faucet holes, box packaging)



Gauge: 20  
Finish: Satin Deck / Silk Bowls  
Minimum Cabinet Width: 36"

Accessorize with:

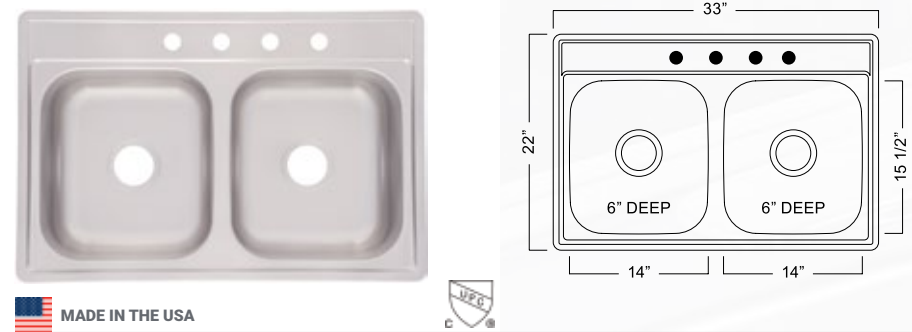


KGD75



1135

FDS603N (3 faucet holes, sleeve packaging) FDS603NB (3 faucet holes, box packaging)  
FDS604N (4 faucet holes, sleeve packaging) FDS604NB (4 faucet holes, box packaging)



MADE IN THE USA



Gauge: 22  
Finish: Satin Deck & Bowls  
Minimum Cabinet Width: 36"

Accessorize with:



KGD50



1135

FFG804NB



MADE IN THE USA



Gauge: 20  
Finish: Silk Deck & Bowls  
Minimum Cabinet Width: 36"

Accessorize with:

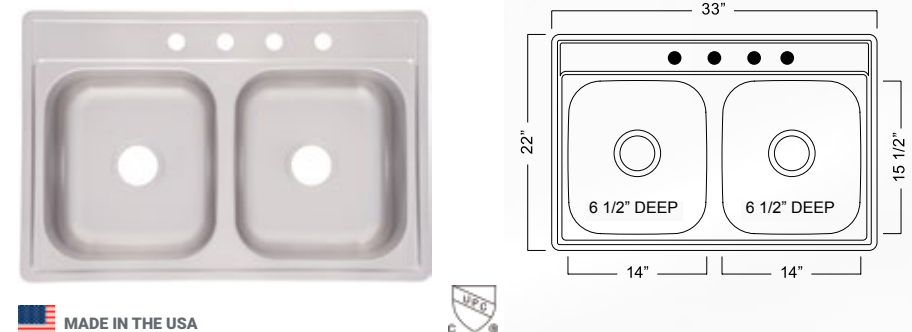


KGD75



1135

FDS653N (3 faucet holes, sleeve packaging) FDS653NB (3 faucet holes, box packaging)  
FDS654N (4 faucet holes, sleeve packaging) FDS654NB (4 faucet holes, box packaging)



MADE IN THE USA



Gauge: 22  
Finish: Satin Deck & Bowls  
Minimum Cabinet Width: 36"

Accessorize with:



KGD50



1135

FMSB654NB



MADE IN THE USA IDEAL FOR MODULAR HOMES



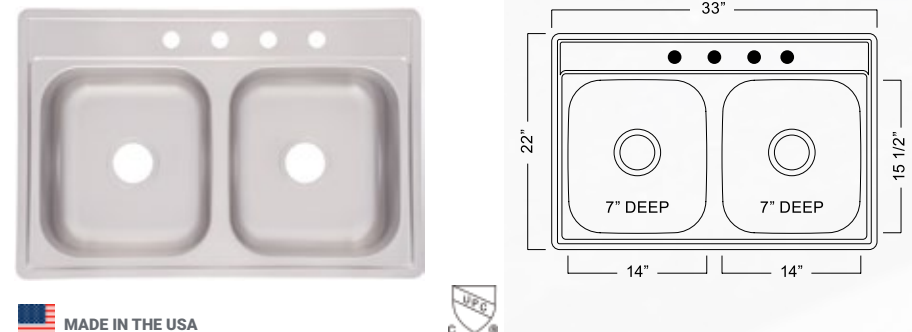
Gauge: 22  
Finish: Satin Deck & Bowls  
Minimum Cabinet Width: 36"

Accessorize with:



1135

FDS703N (3 faucet holes, sleeve packaging) FDS703NB (3 faucet holes, box packaging)  
FDS704N (4 faucet holes, sleeve packaging) FDS704NB (4 faucet holes, box packaging)



MADE IN THE USA



Gauge: 21  
Finish: Satin Deck & Bowls  
Minimum Cabinet Width: 36"

Accessorize with:



KGD50



1135

FCR804BX



MADE IN CANADA



Gauge: 18  
Finish: Satin Deck/Silk Bowls  
Minimum Cabinet Width: 48"

Accessorize with:



BG10S

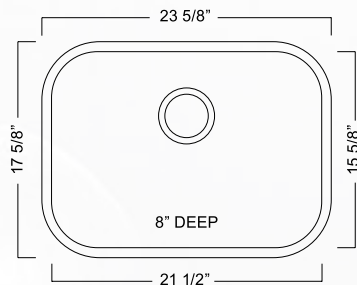


1135

FSUG800-20BX



MADE IN THE USA



Gauge: 20  
Finish: Silk Rim & Bowl  
Minimum Cabinet Width: 27"

Accessorize with:



KGS75

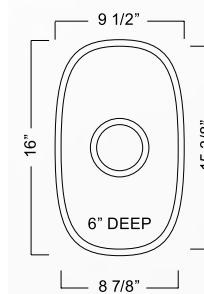


1135

USCSK600



MADE IN THE USA



Gauge: 20  
Finish: Silk Rim & Bowl  
Minimum Cabinet Width: 15"

Accessorize with:

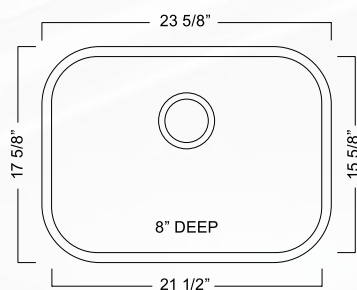


1135

FSUG800-18BX



MADE IN THE USA



Gauge: 18  
Finish: Silk Rim & Bowl  
Minimum Cabinet Width: 27"

Accessorize with:



KGS75

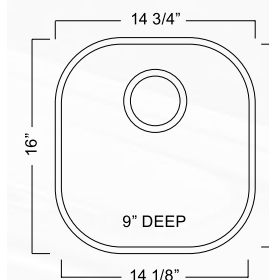


1135

USASK900-18



MADE IN THE USA



Gauge: 18  
Finish: Silk Rim & Bowl  
Minimum Cabinet Width: 18"

Accessorize with:



KGD75

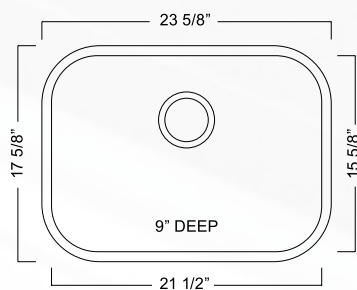


1135

FSUG900-18BX



MADE IN THE USA



Gauge: 18  
Finish: Silk Rim & Bowl  
Minimum Cabinet Width: 27"

Accessorize with:



KGS75

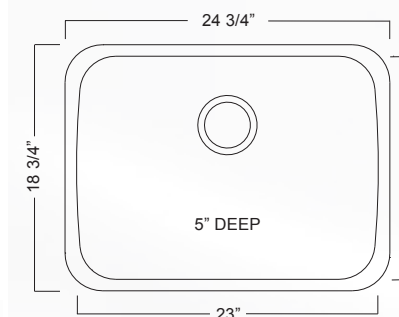


1135

RSU1925/5



MADE IN CANADA ADA COMPLIANT



Gauge: 18  
Finish: Polished Satin Rim & Bowl  
Minimum Cabinet Width: 27"

Accessorize with:



BG80S



1135

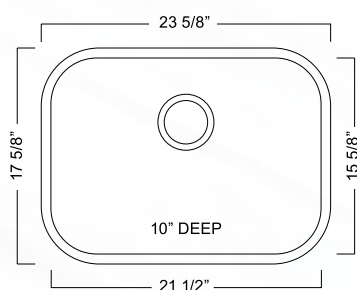


MB100

FSUG100-18BX



MADE IN THE USA



Gauge: 18  
Finish: Silk Rim & Bowl  
Minimum Cabinet Width: 27"

Accessorize with:



KGS75

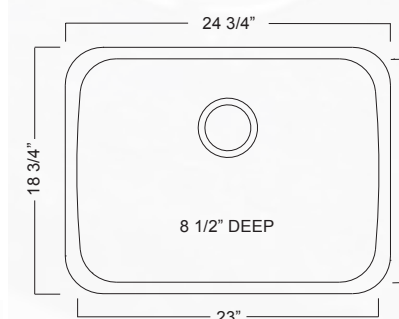


1135

RSU1925/9



MADE IN CANADA



Gauge: 18  
Finish: Polished Satin Rim & Bowl  
Minimum Cabinet Width: 27"

Accessorize with:



BG80S



1135

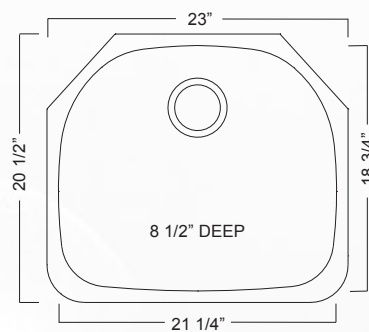


MB100

RSXU2023/9



MADE IN CANADA



Gauge: 18  
Finish: Polished Satin Rim & Bowl  
Minimum Cabinet Width: 27"

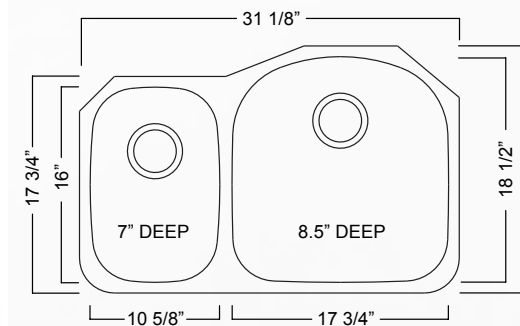
Accessorize with:



RDCXU2233L/9

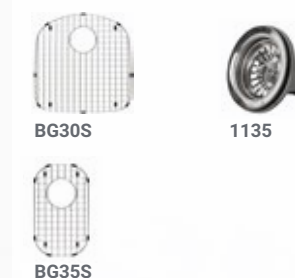


MADE IN CANADA



Gauge: 18  
Finish: Polished Satin Rim & Bowls  
Minimum Cabinet Width: 36"

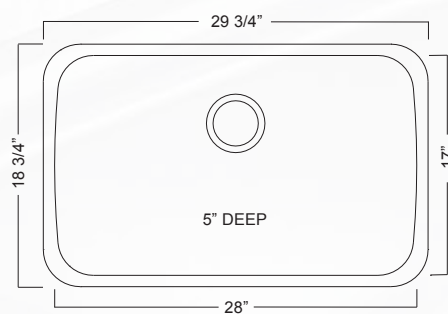
Accessorize with:



RSU1829/5



MADE IN CANADA ADA COMPLIANT



Gauge: 18  
Finish: Polished Satin Rim & Bowl  
Minimum Cabinet Width: 36"

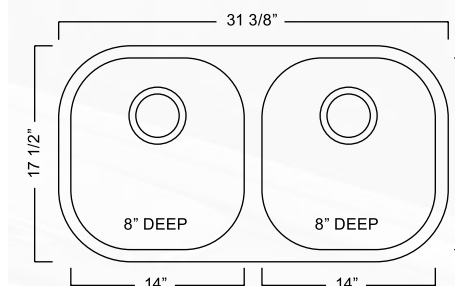
Accessorize with:



FUDG800-18BX



MADE IN THE USA



Gauge: 18  
Finish: Silk Rim/Satin Bowls  
Minimum Cabinet Width: 36"

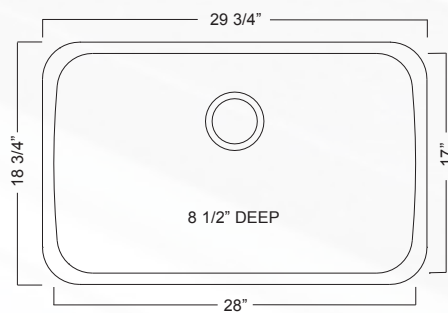
Accessorize with:



RSU1829/9



MADE IN CANADA



Gauge: 18  
Finish: Polished Satin Rim & Bowl  
Minimum Cabinet Width: 36"

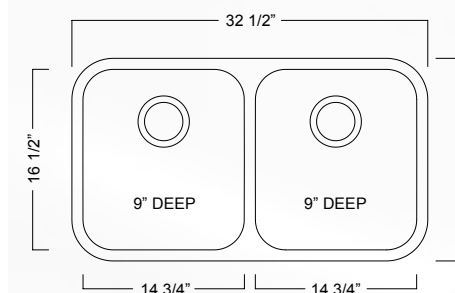
Accessorize with:



EVDG900-18 \*



MADE IN VIETNAM



Gauge: 18  
Finish: Polished Satin Rim & Bowls  
Minimum Cabinet Width: 36"

Accessorize with:

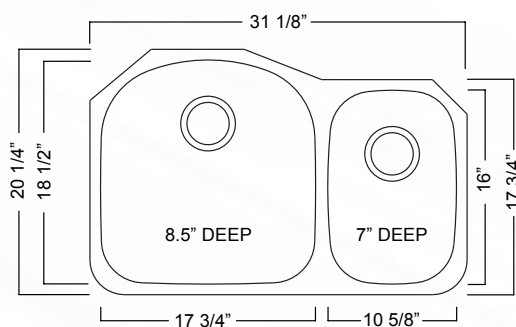


\*Available June 2016

RDCXU2233R/9



MADE IN CANADA



Gauge: 18  
Finish: Polished Satin Rim & Bowls  
Minimum Cabinet Width: 36"

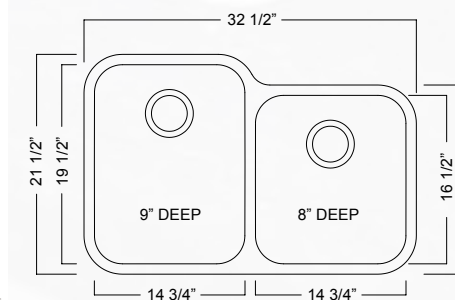
Accessorize with:



EVCG900-18 \*



MADE IN VIETNAM



Gauge: 18  
Finish: Polished Satin Rim & Bowls  
Minimum Cabinet Width: 36"

Accessorize with:



\*Available June 2016

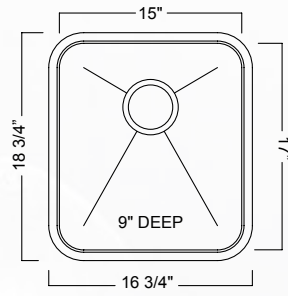




KSS4UA/9D



MADE IN CANADA



Gauge: 18  
Finish: Silk Rim & Bowl  
Minimum Cabinet Width: 18"  
**Strainer Included**  
Accessorize with:



BGA1517S

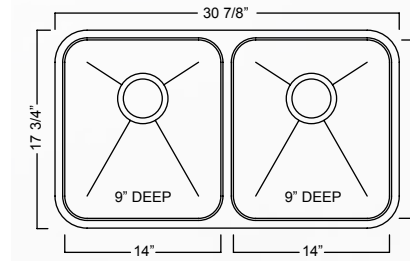


MB100

KSD2UA/9D



MADE IN CANADA



Gauge: 18  
Finish: Silk Rim & Bowl  
Minimum Cabinet Width: 33"  
**Strainers Included**  
Accessorize with:



MB100

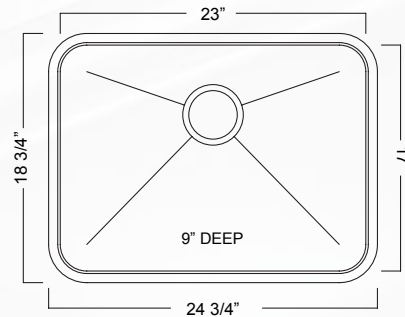


BG10S

KSS6UA/9D



MADE IN CANADA



Gauge: 18  
Finish: Silk Rim & Bowl  
Minimum Cabinet Width: 27"  
**Strainer Included**  
Accessorize with:



BGA2317S

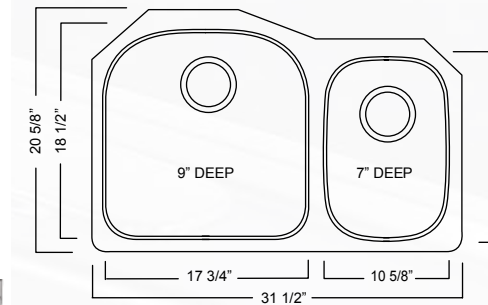


MB100

KSDCRU/9



MADE IN CANADA



Gauge: 18  
Finish: Silk Rim & Bowl  
Minimum Cabinet Width: 33"  
**Strainers Included**  
Accessorize with:



MB100



BGA35S

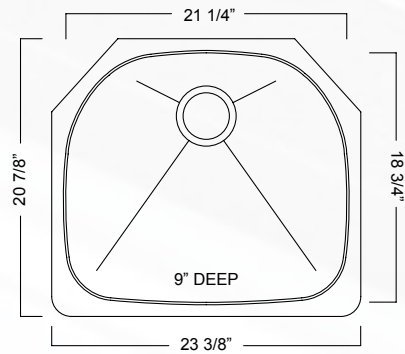


BG30S

KSSXUA/9D



MADE IN CANADA



Gauge: 18  
Finish: Silk Rim & Bowl  
Minimum Cabinet Width: 24"  
**Strainer Included**  
Accessorize with:



BG20S

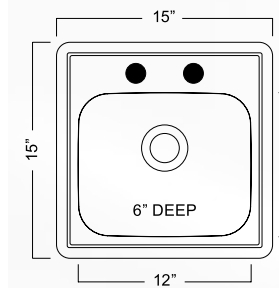


MB100

LKBS602KIT



USA SINK MADE IN THE USA  
FAUCET & STRAINER MADE IN CHINA



Gauge: 22  
Finish: Satin Deck & Bowl  
Minimum Cabinet Width: 18"  
Comes with:

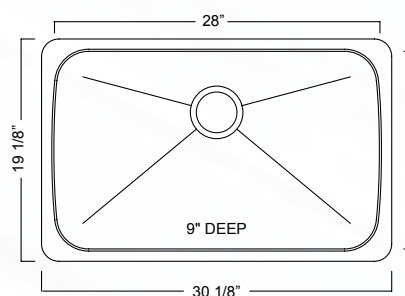


Chrome Faucet  
and 1 Strainer

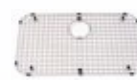
KSS5UA/9D



MADE IN CANADA



Gauge: 18  
Finish: Silk Rim & Bowl  
Minimum Cabinet Width: 30"  
**Strainer Included**  
Accessorize with:



BG90S

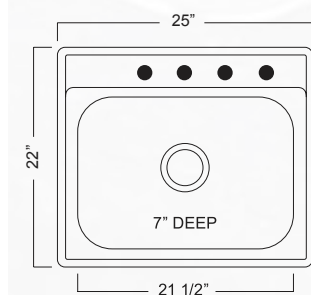


MB100

LFSS704NKIT



USA SINK MADE IN THE USA  
FAUCET, SIDE SPRAY & STRAINER MADE IN CHINA



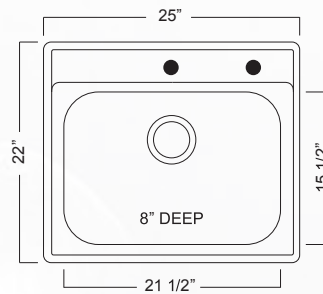
Gauge: 21  
Finish: Satin Deck & Bowl  
Minimum Cabinet Width: 27"  
Comes with:



Chrome Faucet  
with Side Spray  
and 1 Strainer



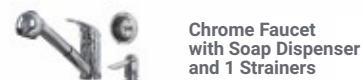
FSS802NKIT



SINK MADE IN THE USA  
FAUCET, SIDE SPRAY & STRAINER MADE IN CHINA

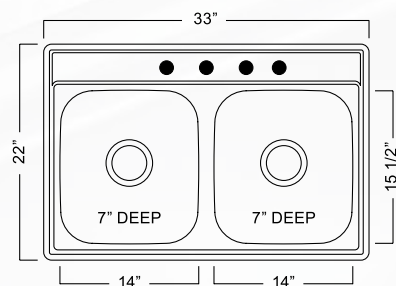
Gauge: 20  
Finish: Satin Deck & Bowl  
Minimum Cabinet Width: 27"

Comes with:



Chrome Faucet with Soap Dispenser and 1 Strainers

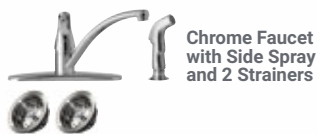
FDS704NKIT



SINK MADE IN THE USA  
FAUCET, SIDE SPRAY & STRAINERS MADE IN CHINA

Gauge: 21  
Finish: Satin Deck & Bowls  
Minimum Cabinet Width: 36"

Comes with:



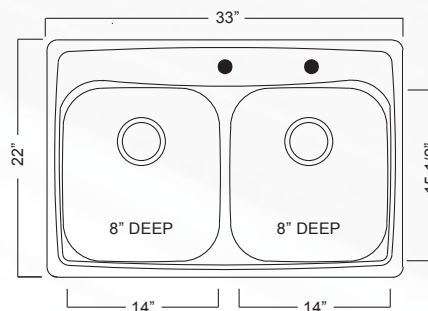
Chrome Faucet with Side Spray and 2 Strainers

Accessorize with:



KGD50

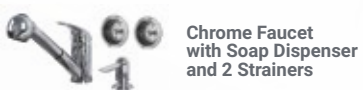
FFG802NKIT



SINK MADE IN THE USA  
FAUCET, SOAP DISPENSER & STRAINERS MADE IN CHINA

Gauge: 20  
Finish: Silk Rim & Bowl  
Minimum Cabinet Width: 36"

Comes with:



Chrome Faucet with Soap Dispenser and 2 Strainers



Tectonite®

Tough enough to handle your most important jobs.

Tectonite® sinks are strong and durable yet amazingly lightweight. Tectonite is a sheet moulding compound with a chemically bonded surface coating. This Franke exclusive material is a great option for those who want a color sink, but need a more budget-friendly price.

- Heat resistant up to 572°F
- Scratch, stain and heat resistant
- Dual mount
- Limited lifetime warranty

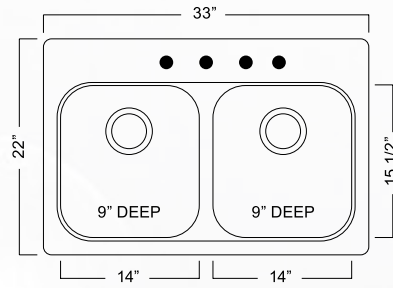
**To Clean:**

For best results, opt for a mild liquid soap and a wet cloth to gently clean your sink. After cleaning, rinse thoroughly and towel dry.

FTB904BX (Black)



MADE IN THE NETHERLANDS



Minimum Cabinet Width: 36"

**DUAL MOUNT**

Accessorize with:

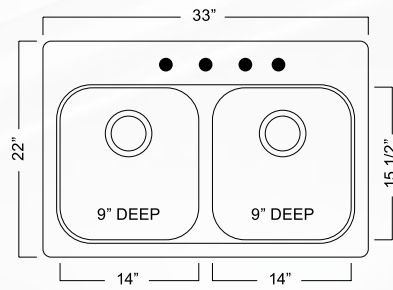


1135

FTS904BX (Sand)



MADE IN THE NETHERLANDS



Minimum Cabinet Width: 36"

**DUAL MOUNT**

Accessorize with:

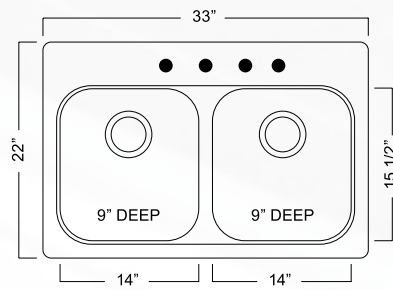


1135

FTW904BX (White)



MADE IN THE NETHERLANDS



Minimum Cabinet Width: 36"

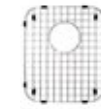
**DUAL MOUNT**

Accessorize with:



1135

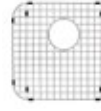
## Accessories

**BOTTOM GRIDS**

**BG10S** Shipping Weight 2.2 lbs.  
Polished stainless steel bottom grid  
Dimensions 14 1/4" FB x 11 7/8" LR x 1" HIGH



**BG110S** Shipping Weight 3.5 lbs.  
Polished stainless steel bottom grid  
Dimensions 13 7/8" FB x 15 7/8" LR x 1" HIGH



**BG11S** Shipping Weight 3.5 lbs.  
Polished stainless steel bottom grid  
Dimensions 14 1/4" FB x 15 1/4" LR x 1" HIGH



**BG20S** Shipping Weight 3.5 lbs.  
Polished stainless steel bottom grid  
Dimensions 17 1/8" FB x 19 9/16" LR x 1" HIGH



**BG30S** Shipping Weight 2.3 lbs.  
Polished stainless steel bottom grid  
Dimensions 16 7/8" FB x 16 3/16" LR x 1" HIGH



**BG35S** Shipping Weight 1.4 lbs.  
Polished stainless steel bottom grid  
Dimensions 14 1/4" FB x 8 1/2" LR x 1" HIGH



**BG65S** Shipping Weight 1.7 lbs.  
Polished stainless steel bottom grid  
Dimensions 14 3/4" FB x 9 1/2" LR x 1" HIGH



**BG80S** Shipping Weight 3.9 lbs.  
Polished stainless steel bottom grid  
Dimensions 14 3/4" FB x 20 3/8" LR x 1" HIGH



**BG90S** Shipping Weight 3.8 lbs.  
Polished stainless steel bottom grid  
Dimensions 14 5/8" FB x 25 1/4" LR x 1" HIGH



**BGA1517S** Shipping Weight 3.0 lbs.  
Polished stainless steel bottom grid  
Dimensions 15" FB x 13" LR x 1" HIGH



**BGA2317S** Shipping Weight 4.1 lbs.  
Polished stainless steel bottom grid  
Dimensions 15" FB x 21" LR x 1" HIGH



**BGRB2016** Shipping Weight 2.6 lbs.  
Polished stainless steel bottom grid  
Dimensions 17 1/2" FB x 15 1/2" LR x 1 1/2" HIGH



**FBG2714** Shipping Weight 2.0 lbs.  
Polished stainless steel bottom grid  
Dimensions 14 1/4" FB x 27 1/4" LR x 1" HIGH



**KGD50** Shipping Weight 2.0 lbs.  
Polished stainless steel bottom grid  
Dimensions 14" FB x 12" LR x 1 1/2" HIGH



**KGD75** Shipping Weight 2.0 lbs.  
Polished stainless steel bottom grid  
Dimensions 14" FB x 12" LR x 1 1/2" HIGH



**KGS50** Shipping Weight 3.0 lbs.  
Polished stainless steel bottom grid  
Dimensions 19 1/2" FB x 13" LR x 1 1/2" HIGH



**KGS75** Shipping Weight 3.0 lbs.  
Polished stainless steel bottom grid  
Dimensions 19 1/2" FB x 13" LR x 1 1/2" HIGH

**COLANDERS**

**C30S** Shipping Weight 1.9 lbs.  
Polished stainless steel mesh colander  
Dimensions 15" FB x 9 1/2" LR x 2 1/2" DEEP

**DRAINER BASKETS**

**DBR10S** Shipping Weight 3.5 lbs.  
Polished stainless steel drainer basket  
Dimensions 14 5/8" FB x 12" LR x 3" HIGH

**CUTTING BOARDS**

**MB100** Shipping Weight 4.8 lbs.  
Laminated maple cutting board  
Dimensions 24 11/16" FB x 11 15/16" LR x 1" HIGH

**SINK WASTE FITTINGS**

**1135** Shipping Weight 1.0 lbs.  
Stainless Strainer Assembly  
Individual Unit



**1135/60** Shipping Weight 60.0 lbs.  
Stainless Strainer Assembly  
60 pieces per carton

**ROLLER MAT**

**FRM100** Shipping Weight 2.0 lbs.  
Polished stainless steel roll mat  
Dimensions 17 1/4" FB x 14 1/4" LR

**INSTALLATION CLIPS**

**KCLIP8** Quantity: 8 Shipping Weight .75 lbs.  
(Recommended for use with countertops up to 1 1/4" thick)

**KCLIP8L** Quantity: 8 Shipping Weight .75 lbs.  
(Recommended for use with countertops up to 1 1/8" to 1 3/4" thick)

**KCLIP12** Quantity: 12 Shipping Weight 1.0 lbs.  
(Recommended for use with countertops up to 1 1/4" thick)



## Warranty & Index

### Warranty

#### Sinks

Kindred USA warrants all sinks to be free from manufacturing defects in material and workmanship, under the normal residential use for which it was intended, for the lifetime of the sink.

#### Accessories

Kindred USA warrants all accessories to be free from manufacturing defects in material and workmanship, under the normal residential use for which it was intended, for a period of one (1) year from the date of purchase.

#### Faucets

Kindred USA warrants all faucets included with Kindred USA sinks kits to be free from manufacturing defects in material and workmanship, under the normal residential use for which they were intended, for the lifetime of the faucet.

#### Marine & Outdoor Installation

Kindred USA sinks, accessories and faucets are not warranted for marine or outdoor installation.

For detailed information on our warranties call 1-888-847-9634 to speak to a Kindred USA Customer Service Team Member.

#### Stainless Steel

##### Top Mount Single Bowl

FBS602-35NB	7
FBS602NB	7
FPSS603RB	8
FPSS604RB	8
FSB1722BX	7
FSLG804BX	9
FSS603N	8
FSS604N	8
FSS603NB	8
FSS604NB	8
FSS653N	8
FSS654N	8
FSS653NB	8
FSS654NB	8
FSS703N	8
FSS704N	8
FSS703NB	8
FSS704NB	8
FSS803N	9
FSS804N	9
FSS803NB	9
FSS804NB	9
RSLM2020/2010/3K	7
SSK104NB	9
SSK854NB	9

##### Top Mount Double Bowl

FCR804BX	11
FDS603N	10
FDS604N	10
FDS603NB	10
FDS604NB	10

##### Top Mount Double Bowl (cont.)

FDS653N	10
FDS654N	10
FDS653NB	10
FDS654NB	10
FDS704N	10
FDS703N	10
FDS703NB	10
FDS704NB	10
FDS803N	11
FDS804N	11
FDS803NB	11
FDS804NB	11
FFG804NB	11
FMSB654NB	11
FPDS603B	10
FPDS604B	10

##### Undermount Single Bowl

FSUG100-18BX	12
FSUG800-18BX	12
FSUG800-20BX	12
FSUG900-18BX	12
USASK900-18	13
USCSK600	13
RSU1829/5	14
RSU1829/9	14
RSU1925/5	13
RSU1925/9	13
RSXU2023/9	14

##### Undermount Double Bowl

EVC900-18	15
EVDG900-18	15
FUDG800-18BX	15
RDCXU2233L/9	15
RDCXU2233R/9	14

##### Sink Kits

FDS704NKIT	18
FFG802NKIT	18
FSS802NKIT	18
LFSS704NKIT	17
LKBS602KIT	17

#### Tectonite

##### Dual Mount Double Bowl

FTB904BX	20
FTS904BX	20
FTW904BX	20

#### Accessories

##### Bottom Grids

BG10S	21
BG110S	21
BG11S	21
BG20S	21
BG30S	21
BG35S	21
BG65S	21
BG80S	21
BG90S	21
BGA1517S	21
BGA2317S	21
BGRB2016	21
FBG2714	21
KGD50	21
KGD75	21
KGS50	21
KGS75	21

##### Colanders

C30S	21
------	----

##### Cutting Boards

MB100	21
-------	----

##### Drainer Baskets

DBR10S	21
--------	----

##### Installation Clips

KCLIP8	21
KCLIP8L	21
KCLIP12	21

##### Roller Mats

FRM100	21
--------	----

##### Sink Waste Fittings

1135	21
1135/60	21



**Kindred USA**

**Customer Service Department**  
800 Aviation Parkway  
Smyrna, TN 37167

**Telephone** | 1-888-847-9634

**Fax** | 1-888-682-0007

**Email** | [ks-customerservice.us@franke.com](mailto:ks-customerservice.us@franke.com)

**Monday to Friday** | 7:00 AM to 4:00 PM CST

[www.Kindred-USA.com](http://www.Kindred-USA.com)

