

INSTRUCTIONS

SPECIFICATIONS: AWG 16/3 SJTW power cord.
ELECTRICAL RATINGS: 10A/125V/1250W/60Hz.

Installation:

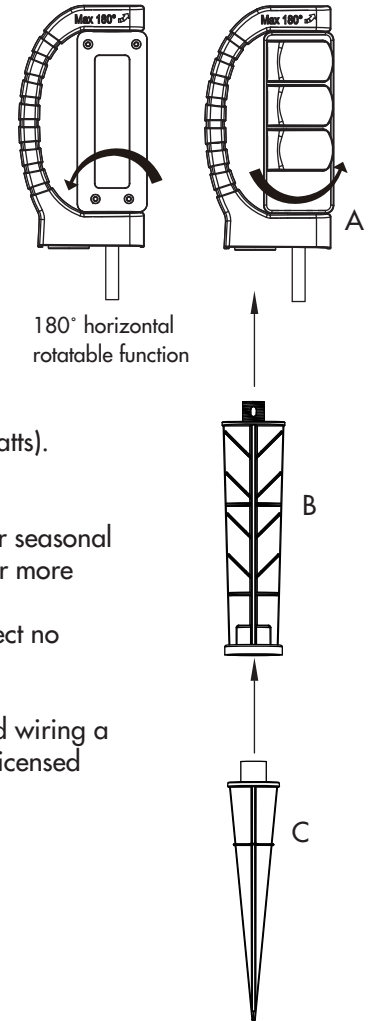
1. Connect the two pieces of the yard stake together by screwing the lower stake (C) into the upper stake (B).
2. Attach the assembled stake to the outlet (A) by screwing the top of upper stake (B) into the base of the outlet.
3. Insert the stake 6 inches into the ground.

OPERATION: Plug the yard stake into a GFCI-protected grounded outlet.

(CAUTION: Combined amp load on all the outlets at any one time must not exceed 10 amp/1,250 watts).

CAUTION:

- Risk of fire. Not for permanent installation. Use only with outdoor equipment, Christmas tree, or other seasonal decorative-lighting products having a total of 10 Amp maximum. Do not install or use this product for more than a 90-day period.
- If using Christmas tree or decorative lighting products that are not marked with an amp rating, connect no more than 140 screw-base lamps (C7 or C9) or 12 strings with push-in lamps to this cordset.
- Cordset should be plugged into a GFCI-protected receptacle.
- If using an outdoor-use cord set for an extended period of time (greater than 90 days), consider hard wiring a permanent outdoor-use receptacle rated for year-round use in the area power is needed. Contact a licensed electrician for proper installation of permanent wiring.
- After installation, connector must be kept a minimum of 6 inches above ground.
- SUITABLE FOR INDOOR/OUTDOOR USE – STORE INDOORS WHILE NOT IN USE.
- CAUTION: PLUG INTO GROUND FAULT PROTECTED RECEPTACLE ONLY.



INSTRUCTIONS

SPECIFICATIONS: AWG 14/3 SJTW power cord.

ELECTRICAL RATINGS: 15A/125V/1875W/60Hz.

Installation:

1. Connect the two pieces of the yard stake together by screwing the lower stake (C) into the upper stake (B).
2. Attach the assembled stake to the outlet (A) by screwing the top of upper stake (B) into the base of the outlet.
3. Insert the stake 6 inches into the ground.

OPERATION: Plug the yard stake into a GFCI-protected grounded outlet.

(CAUTION: Combined amp load on all the outlets at any one time must not exceed 15 amp/1,875 watts).

CAUTION:

- Risk of fire. Not for permanent installation. Use only with outdoor equipment, Christmas tree, or other seasonal decorative-lighting products having a total of 15 Amp maximum. Do not install or use this product for more than a 90-day period.
- If using Christmas tree or decorative lighting products that are not marked with an amp rating, connect no more than 140 screw-base lamps (C7 or C9) or 12 strings with push-in lamps to this cordset.
- Cordset should be plugged into a GFCI-protected receptacle.
- If using an outdoor-use cord set for an extended period of time (greater than 90 days), consider hard wiring a permanent outdoor-use receptacle rated for year-round use in the area power is needed. Contact a licensed electrician for proper installation of permanent wiring.
- After installation, connector must be kept a minimum of 6 inches above ground.
- SUITABLE FOR INDOOR/OUTDOOR USE – STORE INDOORS WHILE NOT IN USE.
- CAUTION: PLUG INTO GROUND FAULT PROTECTED RECEPTACLE ONLY.

