



PROJECT	
TYPE	
MODEL #	

PWP-LED SERIES WALL PACK

FEATURES:

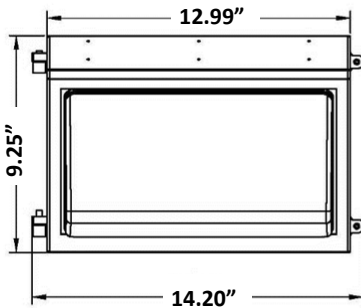
- High Power LED Array and LED Lifespan of 50,000 Hours of Maintenance-Free Operation
- Aluminum Alloy Body in Brown Finish and Tempered Glass



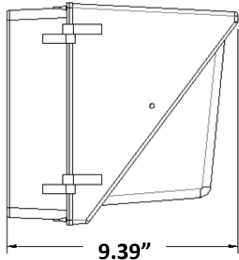
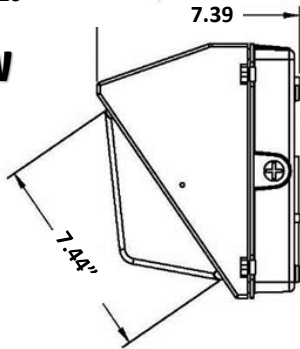
50W-80W



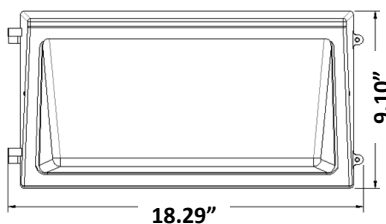
120W



50-80W



120W



Model #	PWP50LEDMV-50	PWP80LEDMV-50	PWP120LEDMV-50
Housing Color:	Brown	Brown	Brown
Power Consumption	47.99W @ 120V 47.42W @ 277V	78.18W @ 120V 78.05W @ 277V	116.7W @ 120V 116.8W @ 277V
Nominal Watts	50W	80W	120W
Voltage	120-277V	120-277V	120-277V
Driver	TOWIN NI50W-66C0750	TOWIN DF80W-40C2000B	TOWIN DF120W-40C3000
Driver Current	0.52A Max	0.85A Max	1.3A Max
Power Factor	>90	>90	>90
LED Chips	Philips LUMILEDS	Philips LUMILEDS	Philips LUMILEDS
Initial lumens	5,500 lms	8,800 lms	13,000 lms
Efficiency	110 lpw	110 lpw	110 lpw
Frequency	50/60Hz	50/60Hz	50/60Hz
CCT	5000K	5000K	5000K
CRI	>80	>80	>80
Operating Temp	-20°C ~ +55°C	-20°C ~ +55°C	-20°C ~ +55°C
THD:	12.59 @ 120V 16.37 @ 277V	10.83 @ 120V 14.91 @ 277V	7.78 @ 120V 11.37 @ 277V
BUG Rating:	B1-U4-G4	B1-U4-G5	/
Surge Suppression Rating:	4KV	4KV	6KV
Listings/Ratings	UL/RoHS/IP65	UL/RoHS/IP65	UL/RoHS/IP65
Life	50,000 Hrs	50,000 Hrs	50,000 Hrs
LM70/80 Life	100,000 Hrs	100,000 Hrs	100,000 Hrs
Warranty	5 Yrs	5 Yrs	5 Yrs
Beam Angle	120°	120°	120°
Optics	/	/	/
Mounting Type:	Wall Mount	Wall Mount	Wall Mount
Size	/	/	/
Style	Wall Pack	Wall Pack	Wall Pack
Product Dimensions	12.99" X 14.20" X 9.25"	12.99" X 14.20" X 9.25"	18.29" x 9.39" x 9.10"
Carton Dimensions	15.4" X 9.1" X 11.6"	15.4" X 9.1" X 11.6"	20.1" x 11.4" x 12.2"
Units/Ctn	1 pc.	1 pc.	1 pc.
Weight/Ctn	11.5 lbs.	11.5 lbs.	17.0 lbs



PROYECTO	
TIPO	
MODELO #	

SERIE PWP-LED WALL PACK

CARACTERÍSTICAS:

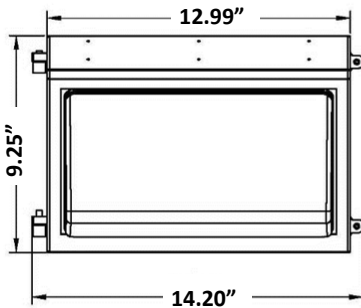
- Matriz LED de alta potencia y vida útil del LED de 50,000 horas de operación sin mantenimiento
- Cuerpo de aleación de aluminio en acabado marrón y vidrio templado



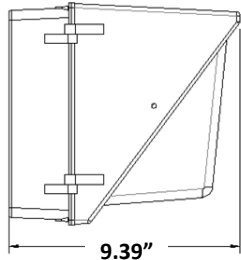
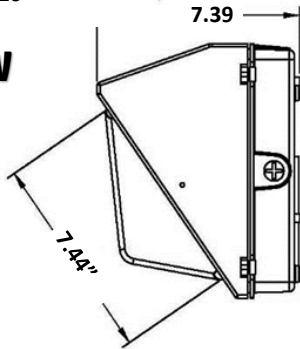
50W-80W



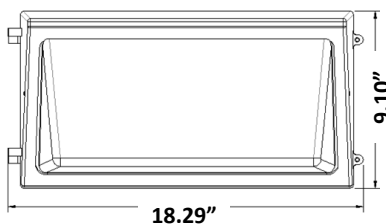
120W



50-80W



120W



Modelo #	PWP50LEDMV-50	PWP80LEDMV-50	PWP120LEDMV-50
Color de a carcasa:	Marron	Marron	Marron
Consumo de Energía:	47.99W @ 120V 47.42W @ 277V	78.18W @ 120V 78.05W @ 277V	116.7W @ 120V 116.8W @ 277V
Vatios Nominales:	50W	80W	120W
Voltaje	120-277V	120-277V	120-277V
Conductor:	TOWIN NI50W-66C0750	TOWIN DF80W-40C2000B	TOWIN DF120W-40C3000
Corriente del Conductor:	0.52A Max	0.85A Max	1.3A Max
Factor de Potencia:	>90	>90	>90
Chips LED:	Philips LUMILEDS	Philips LUMILEDS	Philips LUMILEDS
Lúmenes Iniciales:	5,500 lms	8,800 lms	13,000 lms
Eficiencia:	110 lpw	110 lpw	110 lpw
Frecuencia:	50/60Hz	50/60Hz	50/60Hz
CCT:	5000K	5000K	5000K
CRI:	>80	>80	>80
Temperatura Operativa:	-20°C ~+55°C	-20°C ~+55°C	-20°C ~+55°C
THD:	12.59 @ 120V 16.37 @ 277V	10.83 @ 120V 14.91 @ 277V	7.78 @ 120V 11.37 @ 277V
Clasificación BUG:	B1-U4-G4	B1-U4-G5	/
Clasificación de supresión de sobretensiones:	4KV	4KV	6KV
Listados/Calificaciones:	UL/RoHS/IP65	UL/RoHS/IP65	UL/RoHS/IP65
Vida Útil:	50,000 Hrs	50,000 Hrs	50,000 Hrs
Vida Útil LM70/80:	100,000 Hrs	100,000 Hrs	100,000 Hrs
Garantía:	5 años	5 años	5 años
Angulo de Haz:	120°	120°	120°
Óptica:	/	/	/
Tipo de Montaje:	Montaje de Pared	Montaje de Pared	Montaje de Pared
Tamaño:	/	/	/
Tipo de Luminaria:	Wall Pack	Wall Pack	Wall Pack
Dimensiones de Producto:	12.99" X 14.20" X 9.25"	12.99" X 14.20" X 9.25"	18.29" x 9.39" x 9.10"
Dimensiones de Empaque:	15.4" X 9.1" X 11.6"	15.4" X 9.1" X 11.6"	20.1" x 11.4" x 12.2"
Pcs/Ctn	1 pc.	1 pc.	1 pc.
Peso/Ctn	11.5 lbs.	11.5 lbs.	17.0 lbs