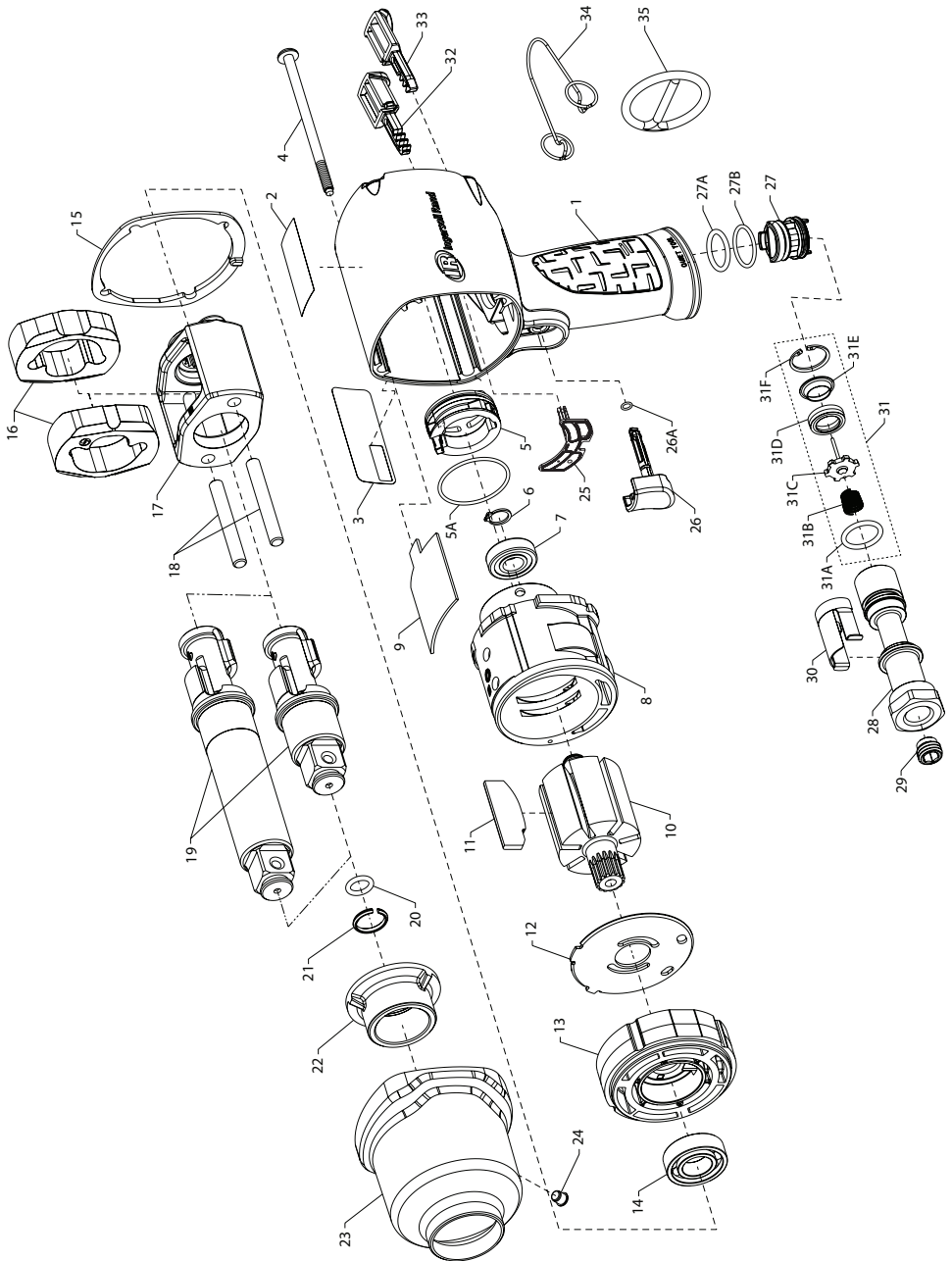


2145QiMAX and 2155QiMAX Series Air Impactool™ - Exploded View



(Dwg. 47106281)

2145QiMAX and 2155QiMAX Series Air Impactool™ - Parts List

Item	Part Description	Part Number	Item	Part Description	Part Number
* 1	Housing Assembly		* 1	Hammer Case Assembly	
	for model 2145QiMAX	2145QiMAX-A40		for models 2145QiMAX, 2145QiMAX-3, 2155QiMAX	2145-D727
	for model 2145QiMAX-3	2145QiMAX-3-A40		for model 2145QiMAX-6	2145-6-D727
	for model 2145QiMAX-6	2145QiMAX-6-A40	22	Bushing, Hammer Case	---
	for model 2155QiMAX	2155QiMAX-A40	23	Hammer Case	---
2	Housing	---	24	Grease Fitting	---
3	Warning Label	---	24	Grease Fitting	130SR-188
3	Information Label	---	† 25	Gasket, Motor	2141-283
25	Gasket, Motor	---	† * 26	Trigger Assembly	2145-D93BK
* 2	Reverse Valve Assembly	---	26	Trigger	---
* 2	Button Kit	---	26A	O-Ring, Trigger	---
2	Warning Label	WARNING-2-99	* 27	Reverse Valve Assembly	2141-A329
3	Information Label		27	Reverse Valve	---
	for model 2145QiMAX	2145QiMAX-300	27A	O-Ring, Reverse Valve (Top-Black)	---
	for model 2145QiMAX-3	2145QiMAX-3-300	27B	O-Ring, Reverse Valve (Bottom-Blue)	---
	for model 2145QiMAX-6	2145QiMAX-6-300	* 28	Inlet Bushing Assembly	2145-D565
	for model 2155QiMAX	2155QiMAX-300	28	Inlet Bushing	---
4	Screw, Hammer Case (4 required)	2141-638	† 29	Inlet Pre-Screen	2145-61A
* 5	Power Regulator Assembly	2135-D249A	30	Inlet Clip	2141-57
5	Power Regulator	---	31	Inlet Parts Kit	2141-K303
5A	O-Ring, Power Regulator	---	31A	O-Ring, Seal	---
6	Retaining Ring	2131-6	31B	Throttle Spring	---
7	Ball Bearing (Cylinder)	2131-97	31C	Throttle Valve	---
8	Cylinder	2141-3	31D	Valve Seat	---
9	Silencer	2145Q-311	31E	Seat Support	---
10	Rotor	2145-53	31F	Retainer	---
† 11	Vane Pack (set of 7)	2145-42-7	* 32	Button Kit	2145-K75RD
12	Wear Plate	2145-11X	32	Forward Button	---
13	End Plate	2145-11	33	Reverse Button	---
14	Ball Bearing (End Plate)	R38P-606	* 5A	Tune-Up Kit	2145-TK2
† 15	Hammer Case Gasket	2145-36RD	6	O-Ring, Power Regulator	---
* 16	Hammer Mechanism Kit	2145-THK2	7	Retaining Ring	---
16	Hammer (2)	---	7	Ball Bearing (Cylinder)	---
17	Hammer Frame	---	11	Vane Pack (set of 7)	---
18	Hammer Pin (2)	---	14	Ball Bearing (End Plate)	---
* 19	Anvil Assembly		15	Hammer Case Gasket	---
	for model 2145QiMAX	2145-A626	25	Gasket, Motor	---
	for model 2145QiMAX-3	2145-A626-3	26A	O-Ring, Trigger	---
	for model 2145QiMAX-6	2145-A626-6	27A	O-Ring, Reverse Valve (Top-Black)	---
	for model 2155QiMAX	2155-A626	27B	O-Ring, Reverse Valve (Bottom-Blue)	---
19	Anvil	---	31	Inlet Parts Kit	---
* 20	Socket Retainer Kit	---	* 21	Inlet Clip Removal Tool	2131-322
† * 21	Socket Retainer Kit		* 22	Socket Retention Ring (3/4" Anvil)	RR100345
	for models 2145QiMAX, 2145QiMAX-3 and 2145QiMAX-6 (3/4" Ring-type)	2145-K425	* 23	Socket Retention Ring (1" Anvil)	RR100155
	for model 2155QiMAX (1" Ring-type)	2155-K425	† * 24	Air Care Kit (grease gun, grease, oil)	115-LBK1
20	O-Ring	---	* 25	Grease (replacement tube for -LBK1)	115-4T
21	Socket Retainer	---	* 26	Air Tool Oil (4 oz. bottle)	1024
22	Bushing, Hammer Case		* 27	Grease (1 lb can)	105-1LB
	for models 2145QiMAX, 2145QiMAX-3, 2155QiMAX	2145-641	* 28	Grease (8 lb can)	105-8LB
	for model 2145QiMAX-6	2145-6-641	* 29	Grease Gun	R000A2-228

* Not Illustrated

† To keep downtime to a minimum, it's desirable to have certain repair parts on hand. We recommend that you stock one (pair or set) of each part indicated by a (†) for every four tools in service.

Parts and Maintenance

When the life of the tool has expired, it is recommended that the tool be disassembled, degreased and parts be separated by material so that they can be recycled.

Tool repair and maintenance should only be carried out by an authorized Service Center.

Refer all communications to the nearest **Ingersoll Rand** Office or Distributor.

Related Documentation

For additional information refer to:

Air Impact Wrench Product Safety Information Manual 04580916.

Air Impact Wrench Product Information Manual 47103767.

Manuals can be downloaded from www.ingersollrandproducts.com.



www.ingersollrandproducts.com

© 2012 Ingersoll-Rand, plc

47103759

Edition 4

February 2013