



PULL HANDLE INSTALLATION INSTRUCTIONS

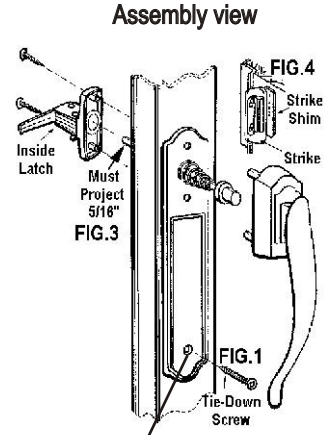
This pull handle for storm and screen doors installs in the same holes as your old push button handle.

1. Remove old storm door handle.
2. Position the back plate and fasten onto door rail with plate tie-down screw (same color as plate) drill 1/8" hole through outer skin of door (outside only) (FIG.1)
3. Assemble spindle and spring and insert through outside of door as shown in assembly view.
4. Place DX Pull Handle onto outside of door. With handle on, the spindle must project 5/16" through inside of door (FIG.3) and not touch mechanism of inside latch. If the three spindles included are too long you can cut to length or call our office(number below) for an additional spindle and screws (please have door thickness and product code ready)
5. Fasten pull handle to inside latch with machine screws provided. You can reuse your old screws if those provided are not adequate.
6. Attach strike (shim if necessary with plastic shims) with the 6" X 1" screws to wooden door jamb so strike firmly engages latch. (FIG.4).

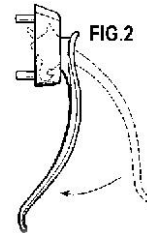
Thank you for your purchase: If you are not satisfied with this product, Please call us at 800-361-2236 x230(514-363-1030) before returning to store. Perhaps we can resolve your difficulty and eliminate future customer dissatisfaction.

e-mail: ideal@idealinc.com

www.idealinc.com



Drill 1/8" hole
(do not go all the way through door)



RFQDXSK