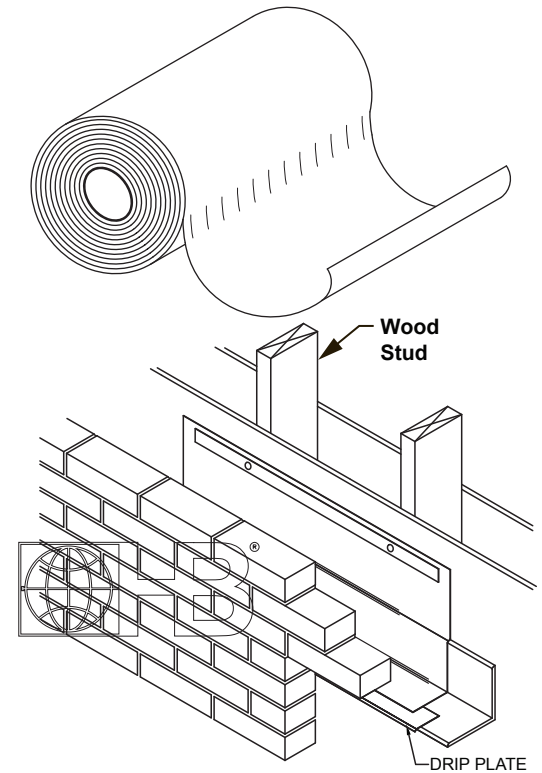
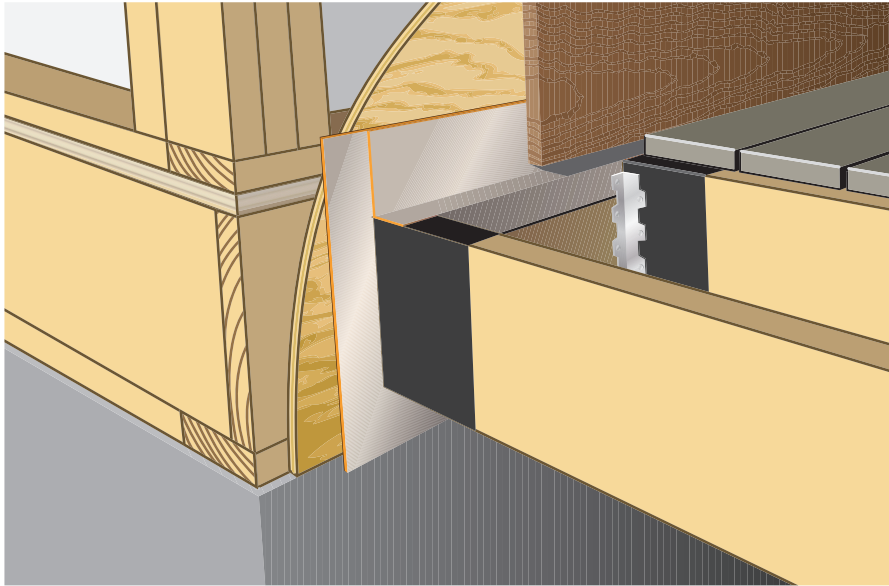


FLASH-GUARD™ NA

Non-Asphaltic Copper Fabric Flashing



DRAWINGS FOR ILLUSTRATIVE PURPOSES ONLY

FLASH-GUARD™ NA Copper Fabric Flashing is a composite membrane consisting of a polyethylene film laminated to BOTH sides of a 3 oz. copper sheet to create a superior flashing that can **also serve as a drip edge**.

- Excellent for flashing pressure-treated and composite decks.
- Can also be used for:
 - foundation flashing
 - door and window flashing
 - for thru-wall or surface-mounted applications
- UV-resistant for up to 180 days.
- Highly resistant to oils and will repel most chemicals
- Extremely tough, with excellent impact and tear resistance.
- Maintains flexibility in extreme heat and cold weather environments.
- **Asphalt-free** composition compatible with a wide variety of sealants.
- Available in widths from 12" - 36", other widths available upon request

*** Please refer to Hohmann & Barnard installation instructions for more information.**

Material:

Copper sheet used in the fabrication of copper laminates conforms to ASTM B370 (110 Alloy).

Width: (25 ft. rolls)

- | | | |
|------------------------------|--------------------------------------|------------------------------|
| <input type="checkbox"/> 12" | <input type="checkbox"/> 20" | <input type="checkbox"/> 32" |
| <input type="checkbox"/> 16" | <input type="checkbox"/> 24" | <input type="checkbox"/> 36" |
| <input type="checkbox"/> 18" | <input type="checkbox"/> Other _____ | |

Weight: (film color)

- 3 oz. (gray)

Stainless Steel Drip Plate:

- 1 ½" 3" Other _____

Flex-Flash® Drip Edge: | **FLASH-GUARD™ NA as Drip Edge:**

- 3" |

Termination Bar:

- | | |
|---|-----------------------------------|
| <input type="checkbox"/> Stainless Steel (Type 304) | <input type="checkbox"/> Aluminum |
| <input type="checkbox"/> Plastic | |

- HB Sealant: 1 Quart Tube
- HB Sealant: 2 Gallon Pail

IMPORTANT: Since each construction project is unique, the appropriate selection and use of any product contained herein must be determined by competent architects, engineers and other appropriate professionals who are familiar with the specific requirements of the project in question.